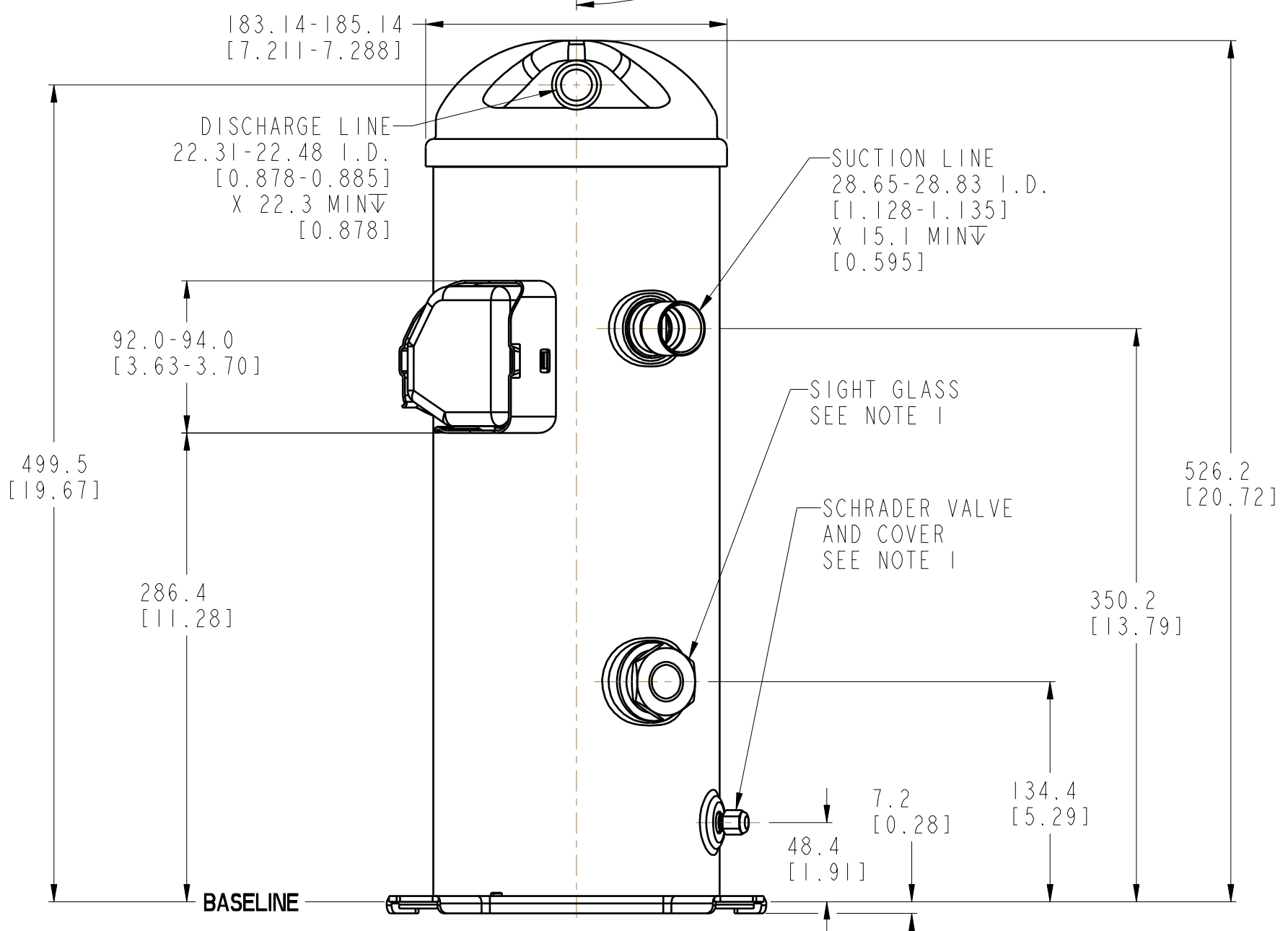
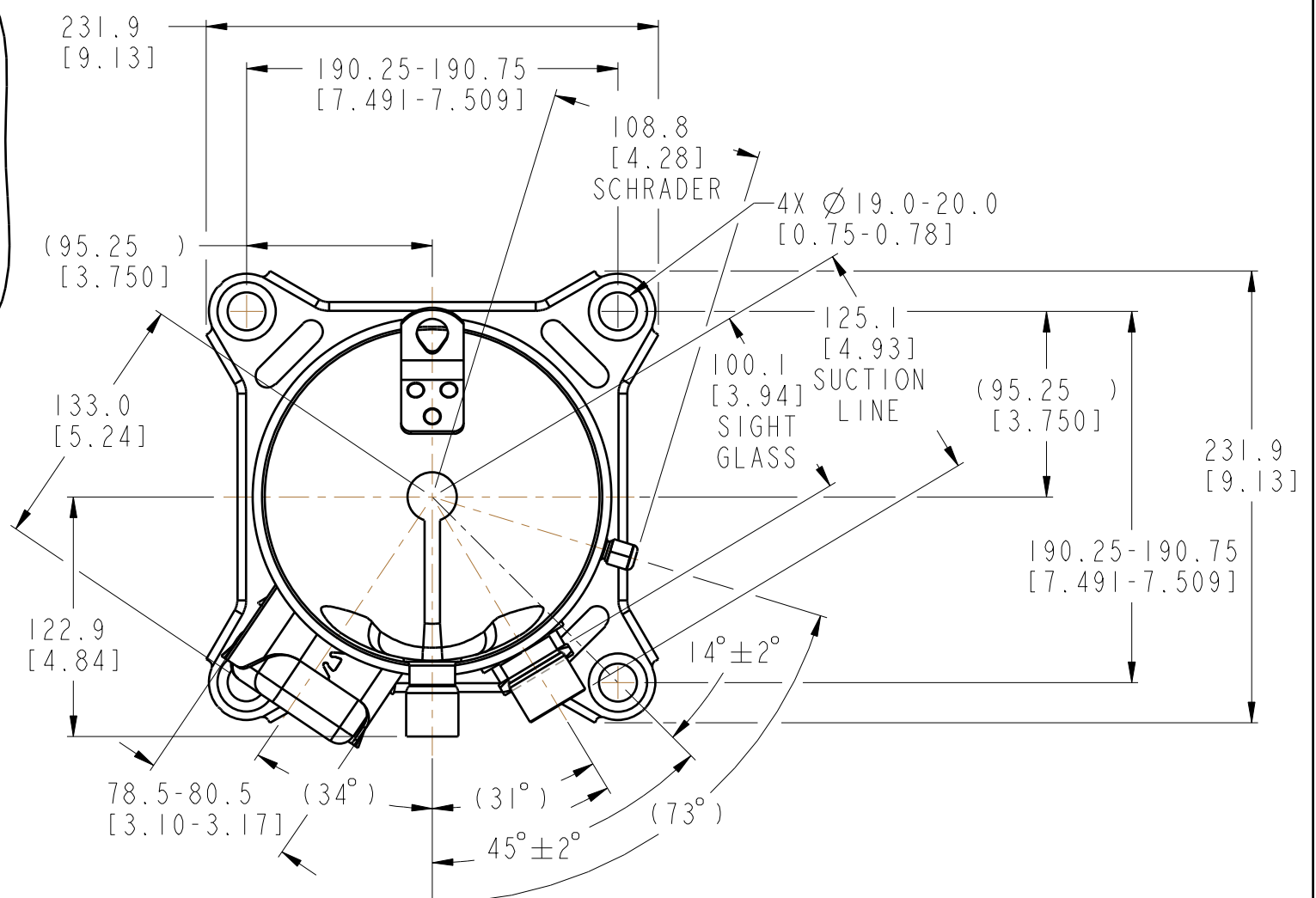


SCALE 0.500





THIS DOCUMENT IS VALID ONLY IF AN APPROVED BLUE DOCUMENT RELEASE STAMP HAS BEEN APPLIED. IF THE STAMP IS NOT PRESENT, THIS DOCUMENT IS FOR INFORMATIONAL PURPOSES ONLY.

DRAWING NO. OSR6167B
REV SEE SHEET ONE

NOTES:
 1. OIL SIGHT GLASS AND SCHRADER VALVE ARE OPTIONAL.

MLZ/M066-076

39461	RELEASE AS EFFECTIVE TO PRODUCTION	02/19/09	RAZ	SCA	MHA	7087-03
REV	REVISION RECORD	DATE	BY	CHK'D	APP'D	NPCA NO.
MATERIAL:		 SCROLL TECHNOLOGIES <small>Member of the Danfoss Group</small> SCROLL COMPRESSOR OPERATIONS ONE SCROLL DR. ARKADDELPHIA, AR 71923				
UNLESS OTHERWISE SPECIFIED DIMENSIONS ARE IN MILLIMETERS [INCHES] AND TOLERANCES ARE: .XXX = ±N/A .X = ±3.0 .XX = ±N/A ANG = ±N/A° GEOMETRIC TOLERANCE PER ANSI Y14.5M-1994		TITLE: OUTLINE, COMPRESSOR (MS MEDIUM TEMP)				
THIS DOCUMENT IS THE PROPERTY OF SCROLL TECHNOLOGIES AND IS DELIVERED UPON THE EXPRESS CONDITION THAT THE CONTENTS WILL NOT BE DISCLOSED OR USED WITHOUT SCROLL TECHNOLOGIES' WRITTEN CONSENT.		SIZE	DRAWING NO.		REV SEE SHEET ONE	
		B	OSR6167B		SHEET 3 OF 3	
		SCALE: 0.300				