



## 2-way Diaphragm Control Valve, cast stainless steel body, pneumatically operated, port con- nection DN 15-50

- Hermetical separation of fluids from the operating mechanism by diaphragm
- Integrated cascade process controller with PID algorithm
- Automatic self-adjustment of basic parameters means autotune for the valve and for PID
- Zero dead volume

Type 2731 can be combined with...



**Type 8694**

Positioner  
TopControl Basic



**Type 8692/8693**

Positioner / Process  
Controller TopControl



**Type 8630**

Positioner  
TopControl



**Type 8635**

Positioner  
SideControl



**Type 8792/93**

SideControl Remote  
versions



**Type 8030**

Flow sensor

The diaphragm control valve Type 2731 consists of a pneumatically operated piston actuator, a diaphragm and a valve body made of investment cast stainless steel.

The actuator has been designed so that the stroke can be continuously changed. This makes a favourable characteristic possible for the continuous change of the flow.

The Type 2731 can be actuated by the 8635 SideControl, SideControls 8792/93 Remote versions or the 8694/8692/8693/ 8630 TopControl forming a mechanical and functional unit and thus offering a complete control valve system. Using this control valve, continuous regulation tasks for fluids can be solved.



### Proven Applications

- Water treatment
- Biotechnology
- Food industry

Technical data		
<b>Materials</b>	Body Actuator	Cast stainless steel 316L/1.4435 PA polyamide (PPS on request)
<b>Sealing</b>		EPDM, PTFE/EPDM (advanced PTFE/EPDM, FKM on request)
<b>Process medium</b>		For neutral gases and liquids, high purity, sterile aggressive or abrasive fluids
<b>Viscosity</b>		Up to viscous
<b>Surface finish</b>		(average surface finish)
	internal mechanical polished (external cast surface)	Ra ≤ 0.8 µm
	<i>On request</i> internal electro polished (external cast surface electro polished)	Ra ≤ 0.6 µm
<b>Medium temperature</b>	EPDM, PTFE/EPDM, advanced PTFE/EPDM <sup>1)</sup> (on request) FKM on request	-10 to +130°C (briefly up to +150°C for steam sterilisation) -10 to +130°C
<b>Ambient temperature</b>		-10° to +60°C
<b>Control medium</b>	(for coupling with a positioner)	Instrumental air class 3 acc. to DIN ISO 8573-1
<b>Pilot pressure</b>		5.5 to 7 bar with actuator sizes Ø80 to 125 mm
<b>Pilot air ports</b>		G1/4 (stainless steel)
<b>Flow characteristic</b>		See chart p. 2
<b>Port connections</b>		
	Weld end acc. to	EN ISO 1127/ISO 4200, DIN 11850 S2 (on request SMS 3008, ASME BPE, DIN 11850 S 0, 1, 3, JIS and BS 4825)
	On request clamp	DIN 32676, ISO 2852/SMS 3017, BS 4825
<b>Installation</b>		As required, preferably with actuator in upright position

<sup>1)</sup> Advanced PTFE/EPDM is recommended for sterilization cycle

### Content

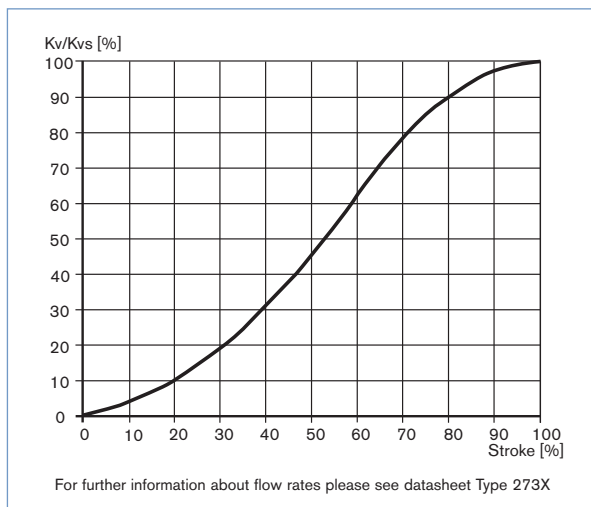
Valve specifications	System spec. Continuous Classic	Request for quotation
 <b>Type 2731 cast</b> Technical data & ordering info. p. 1-5	 <b>Type 8802-DD</b> Ordering info. & technical data p. 6-12	<b>Type 8802-DD</b> p. 13

## Technical data, continued

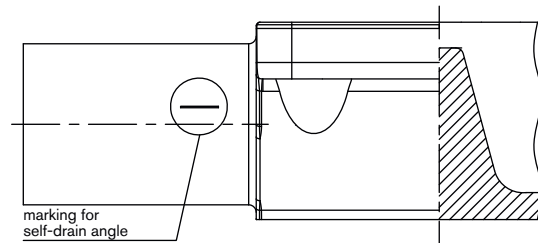
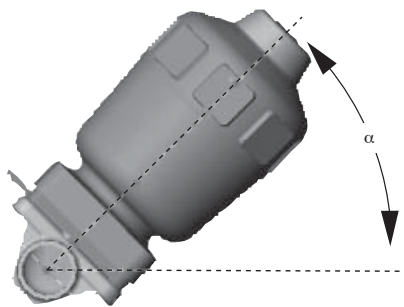
### Kvs values and weights

Port connection DN [mm]	Actuator size [mm]	Kvs value [m <sup>3</sup> /h]	Weight without positioner [kg]
15	80	4.5	1.9
20	80	7.5	2.0
25	80	12.0	2.2
40	125	30.0	6.9
50	125	51.5	7.6

### Flow characteristic

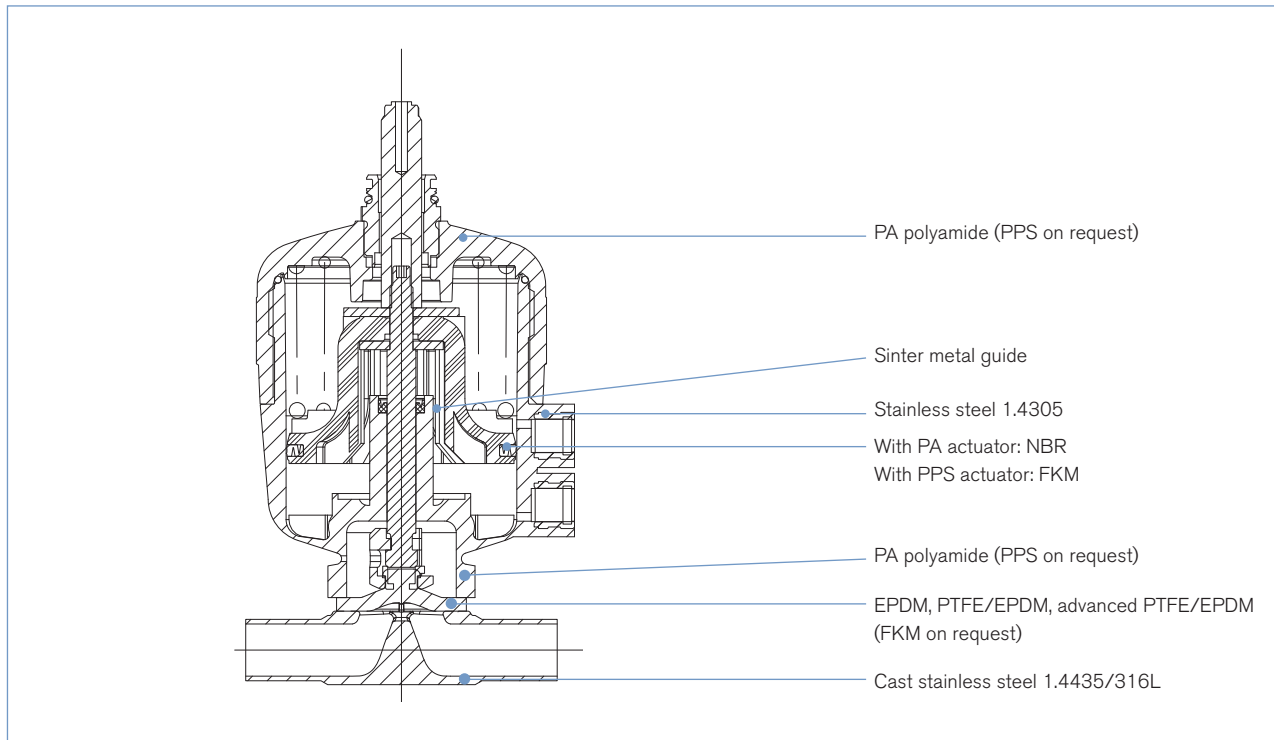


### Installation for self-draining operation





$\alpha = 15$  up to  $35^\circ$  (Marking must face upwards, 12 o'clock position)  
plus  $1^\circ$  to  $5^\circ$  inclination to the pipe axis.  
Drain marks permanently marked on both sides of the valve body  
show the correct mounting position to optimise drain ability.

## Materials



## Approvals

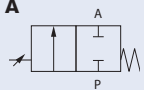
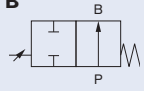
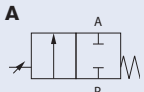
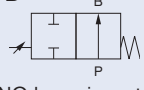
### Suitable for foodstuffs / sterile applications

- 
 The composition of the EPDM, PTFE/EPDM and advanced PTFE/EPDM diaphragms corresponds to the *Code of Federal Regulations*, published by the *FDA* (Food and Drug Administration, USA).
- 
 The diaphragm valves are 3-A approved (3-A Sanitary Standards Symbol Administrative Council)
- Approval according TA-air (Port connection DN 15-50)

## Ordering chart valve

## Weld end acc. to EN ISO 1127/ISO 4200

PA actuator, internal mechanical polished, external cast surface; average surface internal 0.8 µm

Control function	Port connection DN [mm]	Actuator size Ø [mm]	Kvs value [m <sup>3</sup> /h]	Operating pressure max. <sup>1)</sup> [bar]	Item no.
<b>EN ISO 1127/ISO 4200</b>					
<b>EPDM diaphragm material</b>					
<b>A</b>  NC by spring return	15	80	4.5	10	550 425
	20	80	7.5	10	550 429
	25	80	12	10	550 431
	40	100	30	6.5	550 433
	50	125	51.5	8	550 435
<b>B</b>  NO by spring return	15	80	4.5	10	550 437
	20	80	7.5	10	550 439
	25	80	12	10	550 441
	40	100	30	10	550 443
	50	125	51.5	7	550 445
<b>PTFE/EPDM diaphragm material</b>					
<b>A</b>  NC by spring return	15	80	4.5	10	550 426
	20	80	7.5	10	550 430
	25	80	12	7.5	550 432
	40	100	30	6	550 434
	50	125	51.5	7	550 436
<b>B</b>  NO by spring return	15	80	4.5	9	550 438
	20	80	7.5	8.5	550 440
	25	80	12	8	550 442
	40	100	30	10	550 444
	50	125	51.5	4	550 446

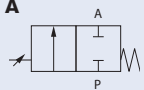
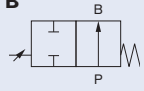
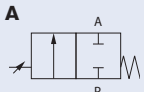
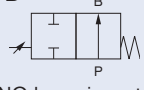
<sup>1)</sup> with a pilot pressure of 5.5 bar
**i** Further versions on request
**Material**
 Actuator: PPS  
 Sealing: Advanced PTFE/EPDM, FKM
**Port connection**
 Welded body acc. to SMS 3008, ASME BPE, DIN 11850 S0, 1, 3, JIS and BS4825  
 Clamp body acc. to DIN 32676, ISO 2852/SMS 3017, BS 4825
**Additional**

Surface finish internal electro polished (external cast surface electro polished), Ra ≤ 0.6 µm

## Ordering chart valve

## Weld end acc. to DIN 11850 Series 2

PA actuator, internal mechanical polished, external cast surface; average surface internal 0.8 µm

Control function	Port connection DN [mm]	Actuator size Ø [mm]	Kvs value [m <sup>3</sup> /h]	Operating pressure max. <sup>1)</sup> [bar]	Item no.
<b>DIN 11850 Series 2</b>					
<b>EPDM diaphragm material</b>					
<b>A</b>  NC by spring return	15	80	4.5	10	550 447
	20	80	7.5	10	550 451
	25	80	12	10	550 453
	40	100	30	6.5	550 454
	50	125	51.5	8	550 456
<b>B</b>  NO by spring return	15	80	4.5	10	550 458
	20	80	7.5	10	550 460
	25	80	12	10	550 462
	40	100	30	10	550 464
	50	125	51.5	7	550 466
<b>PTFE/EPDM diaphragm material</b>					
<b>A</b>  NC by spring return	15	80	4.5	10	550 448
	20	80	7.5	10	550 452
	25	80	12	7.5	153 330
	40	100	30	6	550 455
	50	125	51.5	7	550 457
<b>B</b>  NO by spring return	15	80	4.5	9	550 459
	20	80	7.5	8.5	550 461
	25	80	12	8	550 463
	40	100	30	10	550 465
	50	125	51.5	4	550 467

<sup>1)</sup> with a pilot pressure of 5.5 bar
 Further versions on request
**Material**

Actuator: PPS  
 Sealing: Advanced PTFE/EPDM, FKM

**Port connection**

Welded body acc. to SMS 3008, ASME BPE, DIN 11850 S0, 1, 3, JIS and BS4825  
 Clamp body acc. to DIN 32676, ISO 2852/SMS 3017, BS 4825

**Additional**

Surface finish internal electro polished (external cast surface electro polished), Ra ≤ 0,6 µm

Ordering information for valve system Continuous Classic Type 8802-DD

A valve system Continuous Classic Type 8802-DD consists of an diaphragm control valve Type 2731 and a digital electropneumatic Positioner Type 8692, a digital electropneumatic Process Controller Type 8693, a digital electropneumatic Positioner Basic Type 8694 (below) or a valve actuation system TopControl Type 8630, SideControl Type 8635 or an electropneumatic positioner Type 8792/8793 (next page) (see separate datasheets). For the configuration of further valve systems please use the "Request for quotation" on p. 13 [go to page](#)

You order two components and receive a complete assembled and certified valve.

Ordering the valve system Continuous Classic Type 8802-DD

Diaphragm control valve  
Type 2731



Positioner



Positioner  
Type 8692



Process Controller  
Type 8693



Positioner Basic  
Type 8694

Diaphragm control valve  
with desired positioner



Valve system  
Continuous  
Classic  
Type 8802-DD-L  
2731 + 8694



Valve system  
Continuous  
Classic  
Type 8802-DD-I  
2731 + 8692



Valve system  
Continuous  
Classic  
Type 8802-DD-J  
2731 + 8693

When you click on the orange box "More info." below, you will come to our website for the resp. product where you can download the datasheet.

Positioner TopControl  
Type 8692

More info.



Process Controller  
TopControl Type 8693

More info.



The new generation of integrated positioners/process controllers for combination with actuators from the process valve series Type 23xx/2103 is specially designed for the requirements of hygienic process environments. The easy handling and the selection of additional software functions are done either on a big graphic display with backlight and keypad or via a PC interface. A contact-free analogue position sensor registers the valve position without deterioration. Single-acting or double-acting actuators are controlled via the integral positioner system. With Type 8693, the process controller function is superimposed on the position control loop. Profibus DPV1 and DeviceNet communication interfaces are available as options. Main customer benefits:

- Compact design of the valve system with integrated positioner/process controller meets the demands for plant washdown environments through the selection of materials, external seals and integrated control air supply to the actuator
- Extremely simple commissioning and operation thanks to the backlighting of the graphics display and proven multilingual software structure
- Automatic parameterisation of the positioner and process controller using the TUNE functions
- Field bus communication via Profibus DPV1 or DeviceNet
- Air intake filter enhances the process valve system availability
- Simple and reliable actuator adaption
- Explosion-proof models for zone 2/22

Positioner TopControl Basic Type 8694

More info.



The new generation of integrated positioners for combination with actuators from the process valve series Type 23xx/2103 is specially designed for the requirements of hygienic process environments. The operation and selection of the software functions close tight function, inversion of the operating direction of the setpoint signal, characteristic curves selection and switching manual/automatic operation are effected via push-buttons and DIP switches or via the PC interface. The position setpoint is set using the standard signal 4 - 20 mA. In addition, the enable can be controlled via the binary input and an optional position feedback can be integrated. The positioner, Type 8694, registers the valve position without deterioration through a contact-free analogue position sensor. Single-acting or double-acting actuators are controlled via the integral positioner system. An AS-Interface communication interface is available as an option. Main customer benefits:

- Compact design of the valve system with integrated positioner meets the demands for plant washdown environments through the selection of materials, external seals and integrated control air supply to the actuator
- Automatic parameterisation of the process controller using the Process TUNE function
- Field bus communication via optional AS-Interface
- Air intake filter enhances the process valve system availability
- Simple and reliable actuator adaption allowing additional actuators of the process valve series, Type 20xx or actuators from other manufacturers to be used
- Explosion-proof models for zone 2/22

Ordering information for valve system Continuous Classic Type 8802-DD, continued

A valve system Continuous Classic Type 8802-DD consists of an diaphragm control valve Type 2731 and a digital electropneumatic Positioner Type 8692, a digital electropneumatic Process Controller Type 8693, a digital electropneumatic Positioner Basic Type 8694 (previous page) or a valve actuation system TopControl Type 8630, SideControl Type 8635 or an electropneumatic positioner Type 8792/8793 (below) (see separate datasheets). For the configuration of further valve systems please use the "Request for quotation" on p. 13 [go to page](#)

You order two components and receive a complete assembled and certified valve.

Ordering the valve system Continuous Classic Type 8802-DD

Diaphragm control valve  
Type 2731

Positioner



Positioner/  
Process Controller  
Type 8630



Positioner/  
Process Controller  
Type 8635



Positioner  
Type 8792/  
Process  
Controller  
Type 8793

Diaphragm control valve  
with desired positioner



Valve system  
Continuous Classic  
Type 8802-DD-A  
2731 + 8630



Valve system  
Continuous Classic  
Type 8802-DD-B  
2731 + 8635



Valve system  
Continuous Classic  
Type 8802-DD-P  
2731 + 8792 /  
Type 8802-DD-Q  
2731 + 8793

When you click on the orange box "More info." below, you will come to our website for the resp. product where you can download the datasheet.

TopControl Type 8630 [More info.](#)



0/4-20 mA  
0-5/10 V

PROFIBUS  
DeviceNet™



The Type 8630 is an electro-pneumatic positioner for usage with pneumatically operated process valves. The compact design with integrated position encoder and LCD display was developed for demanding applications of the process industry.

Main customer benefits are:

- Time saving algorithms for temperature, flow and pressure PID parameters through ProcessTUNE function.
- Quick and simple menu driven parameterization through keyboard
- Field bus communication via Profibus DPV1 or DeviceNet
- Fits seamlessly to Bürkert's process valve systems
- Break resistant housing
- Suitable for hazardous locations per zone 2 and 22

SideControl Type 8635, 2-wire, intrinsically safe [More info.](#)



4-20 mA



Type 8635 is a digital electro-pneumatic positioner with an optional, integrated process controller for precise control requirements. The compact design with integrated position encoder and LCD display was developed for demanding applications of the process industry.

Main customer benefits are:

- Time saving algorithms for temperature, flow and pressure PID parameters through ProcessTUNE function.
- Quick and simple menu driven parameterization through keyboard or Profibus PA
- Remote setpoint adjustment via a 4-20 mA signal
- Adaptation according to IEC534-6 for lift and swivel drives
- Rugged anodised aluminium housing
- Suitable for hazardous locations per zone 1, zone 21 or zone 2 and 22

Positioner SideControl Type 8792 [More info.](#)

Process Controller SideControl Type 8793 [More info.](#)



PROFIBUS



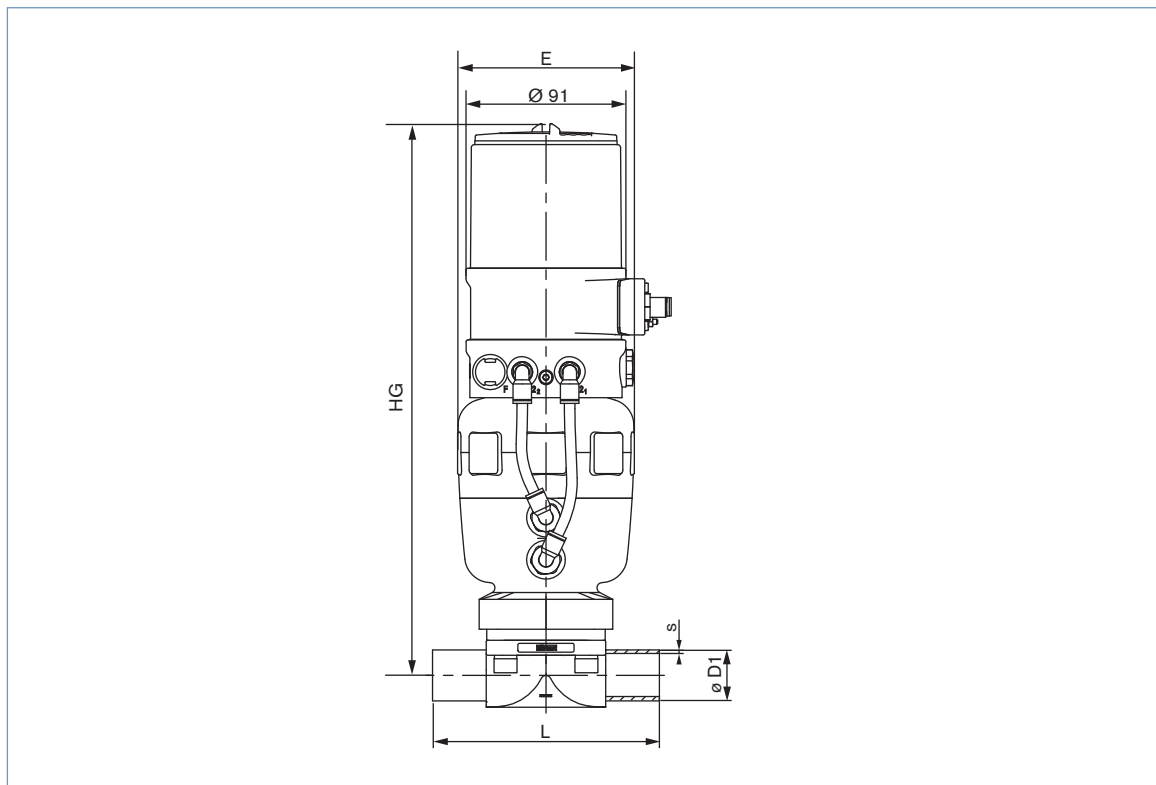
Type 8792/8793 is a digital electro-pneumatic positioner with an optional, integrated process controller (8793) for precise control requirements. The compact design with integrated position encoder and LCD display was developed for demanding applications of the process industry. A Profibus DPV1 communication interface is available as an option.

Main customer benefits are:

- Time saving algorithms for temperature, flow and pressure PID parameters through ProcessTUNE function.
- Quick and simple menu driven parameterization through keyboard or Profibus DPV1 PA
- Adaption acc. to IEC534-6 and VDI/VDE 3845 for lift and swivel drives or as a Remote version together with Bürkert process valves
- Rugged anodised aluminium housing
- Suitable for hazardous locations per zone 2/22

Dimensions for valve system Continuous Classic Type 8802-DD [mm]

Dimensions valve system Continuous Classic Type 8802-DD-I with positioner TopControl Type 8692 and 8802-DD-J with process controller TopControl Type 8693 [mm]

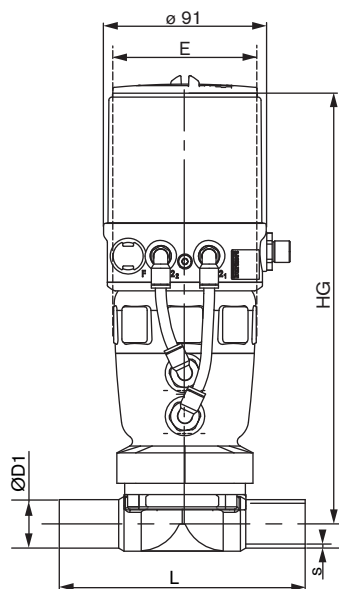


Port connection [mm]	Actuator size [mm]	E	HG [mm]	L	EN ISO 1127/ ISO 4200		DIN 11850								SMS 3008		JIS (on request)	
					D1	s	Series 0		Series 1		Series 2		Series 3		D1	s	D1	s
							D1	s	D1	s	D1	s	D1	s				
15	80	101	300	110	21.3	1.6	18	1.5	18	1	19	1.5	20	2	-	-	21.7	2.1
20	80	101	313	119	26.9	1.6	22	1.5	22	1	23	1.5	24	2	-	-	27.2	2.1
25	80	101	316	129	33.7	2	28	1.5	28	1	29	1.5	30	2	25	1.2	25.4	1.2
40	125	153	408	161	48.3	2	40	1.5	40	1	41	1.5	42	2	38	1.2	38.1	1.2
50	125	153	414	192	60.3	2	52	1.5	52	1	53	1.5	54	2	51	1.2	50.8	1.5



Dimensions for valve system Continuous Classic Type 8802-DD [mm], continued

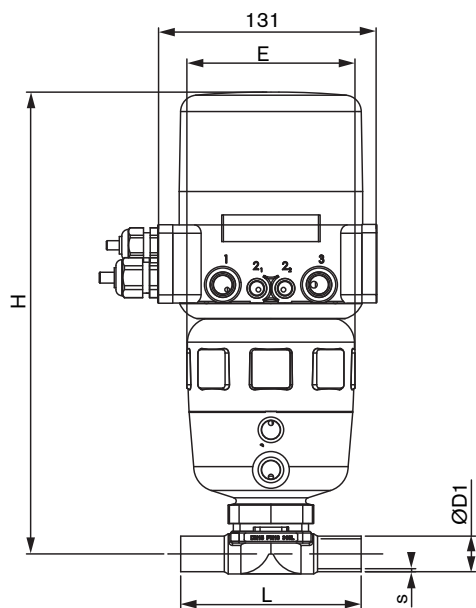
Dimensions valve system Continuous Classic Type 8802-DD-L with positioner TopControl Basic Type 8694 [mm]



Port connection [mm]	Actuator size [mm]	E	HG [mm]	L	EN ISO 1127/ ISO 4200		DIN 11850				SMS 3008				JIS (on request)					
					Series 0		Series 1		Series 2		Series 3		D1		s		D1		s	
					D1	s	D1	s	D1	s	D1	s	D1	s	D1	s	D1	s	D1	s
15	80	101	260	110	21.3	1.6	18	1.5	18	1	19	1.5	20	2	-	-	21.7	2.1		
20	80	101	270	119	26.9	1.6	22	1.5	22	1	23	1.5	24	2	-	-	27.2	2.1		
25	80	101	273	129	33.7	2	28	1.5	28	1	29	1.5	30	2	25	1.2	25.4	1.2		
40	125	153	366	161	48.3	2	40	1.5	40	1	41	1.5	42	2	38	1.2	38.1	1.2		
50	125	153	372	192	60.3	2	52	1.5	52	1	53	1.5	54	2	51	1.2	50.8	1.5		

Dimensions for valve system Continuous Classic Type 8802-DD [mm], continued

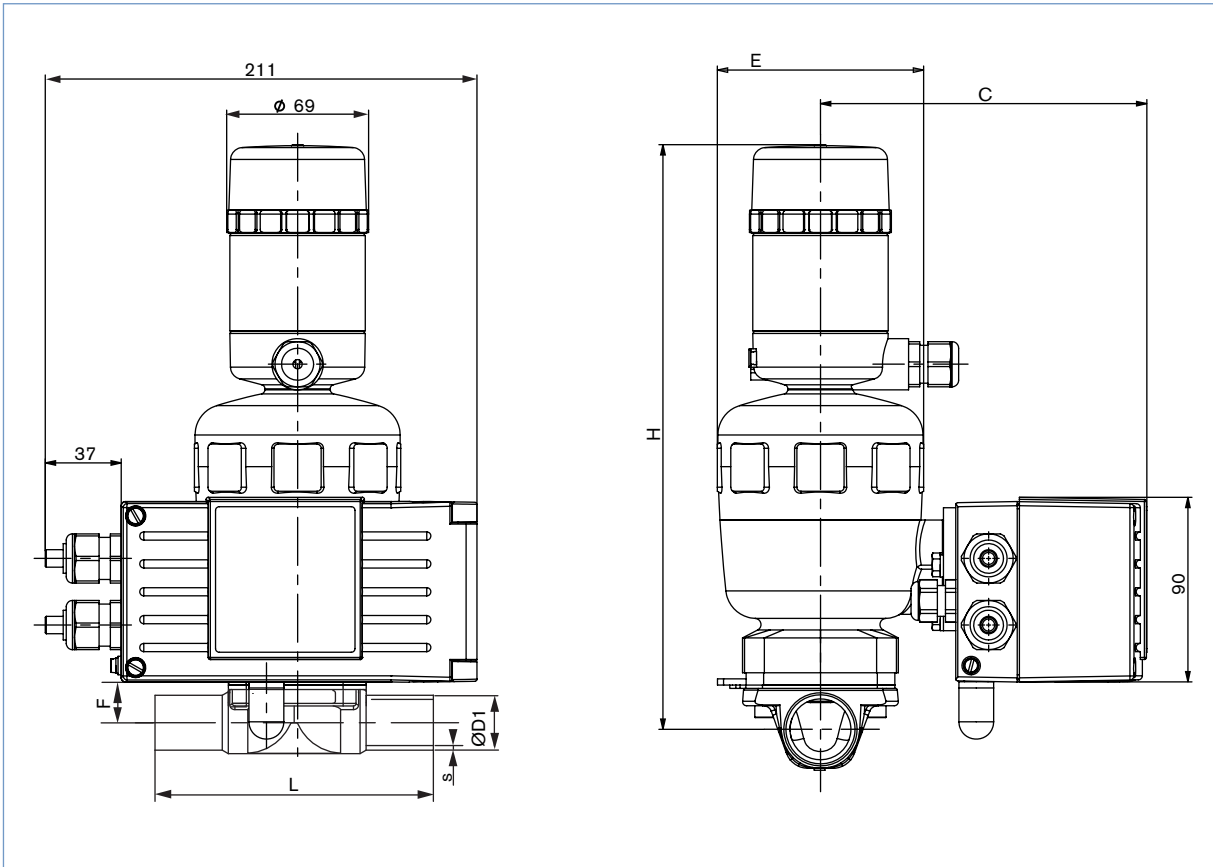
Dimensions valve system Continuous Classic Type 8802-DD-A with positioner TopControl Type 8630 [mm]



Port connection [mm]	Actuator size [mm]	E	H	L	EN ISO 1127/ ISO 4200		DIN 11850								SMS 3008		JIS (on request)	
							Series 0		Series 1		Series 2		Series 3					
					D1	s	D1	s	D1	s	D1	s	D1	s	D1	s	D1	s
15	80	101	278	110	21.3	1.6	18	1.5	18	1	19	1.5	20	2	-	-	21.7	2.1
20	80	101	289	119	26.9	1.6	22	1.5	22	1	23	1.5	24	2	-	-	27.2	2.1
25	80	101	292	129	33.7	2	28	1.5	28	1	29	1.5	30	2	25	1.2	25.4	1.2
40	125	153	389	161	48.3	2	40	1.5	40	1	41	1.5	42	2	38	1.2	38.1	1.2
50	125	153	393	192	60.3	2	52	1.5	52	1	53	1.5	54	2	51	1.2	50.8	1.5

Dimensions for valve system Continuous Classic Type 8802-DD [mm], continued

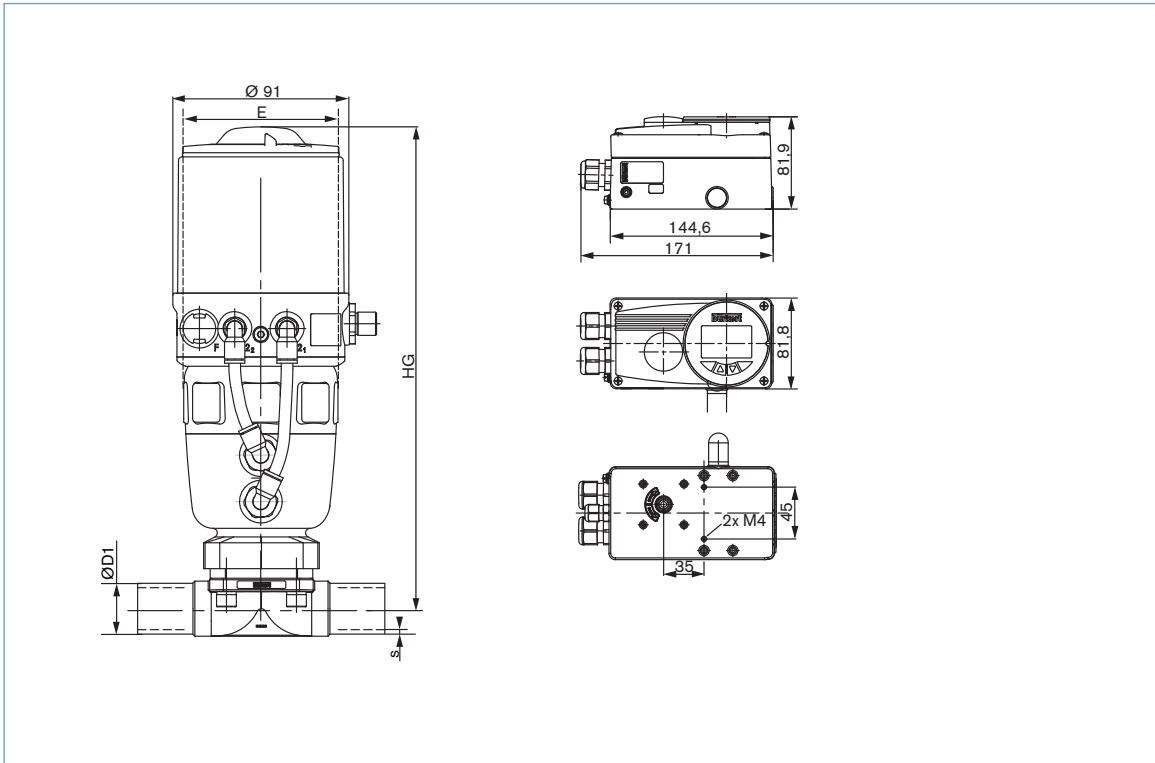
Dimensions valve system Continuous Classic 8802-DD-B with positioner SideControl Type 8635 [mm]



Port connection [mm]	Actuator size [mm]	E	H	F	C	L	EN ISO 1127/ ISO 4200		DIN 11850								SMS 3008		JIS (on request)	
							D1	s	Series 0		Series 1		Series 2		Series 3		D1	s	D1	s
									D1	s	D1	s	D1	s	D1	s				
15	80	101	262	14	159	110	21.3	1.6	18	1.5	18	1	19	1.5	20	2	-	-	21.7	2.1
20	80	101	267	18	159	119	26.9	1.6	22	1.5	22	1	23	1.5	24	2	-	-	27.2	2.1
25	80	101	270	23	159	129	33.7	2	28	1.5	28	1	29	1.5	30	2	25	1.2	25.4	1.2
40	125	153	366	50	185	161	48.3	2	40	1.5	40	1	41	1.5	42	2	38	1.2	38.1	1.2
50	125	153	372	54	185	192	60.3	2	52	1.5	52	1	53	1.5	54	2	51	1.2	50.8	1.5

Dimensions for valve system Continuous Classic Type 8802-DD [mm], continued

Dimensions valve system Continuous Classic 8802-DD-P with Positioner SideControl Remote Type 8792 and Type 8802-DD-Q with Process Controller SideControl Remote Type 8793 [mm]



Port connection [mm]	Actuator size [mm]	E	HG [mm]	L	EN ISO 1127/ ISO 4200		DIN 11850								SMS 3008		JIS (on request)	
					D1	s	Series 0		Series 1		Series 2		Series 3		D1	s	D1	s
							D1	s	D1	s	D1	s	D1	s				
15	80	101	263	110	21.3	1.6	18	1.5	18	1	19	1.5	20	2	-	-	21.7	2.1
20	80	101	273	119	26.9	1.6	22	1.5	22	1	23	1.5	24	2	-	-	27.2	2.1
25	80	101	276	129	33.7	2	28	1.5	28	1	29	1.5	30	2	25	1.2	25.4	1.2
40	125	153	369	161	48.3	2	40	1.5	40	1	41	1.5	42	2	38	1.2	38.1	1.2
50	125	153	375	192	60.3	2	52	1.5	52	1	53	1.5	54	2	51	1.2	50.8	1.5

**Note**

You can fill out the fields directly in the PDF file before printing out the form.

**Valve system Continuous Classic Type 8802-DD - Request for quotation**

▶ Please fill out and send to your nearest Bürkert facility\* with your inquiry or order

Company	Contact person
Customer no.	Department
Address	Tel./Fax
Postcode/town	E-Mail

= mandatory fields to fill out

Quantity

Required delivery date

**Operating data**

Pipeline	DN	<input type="text"/>	PN	<input type="text"/>
Pipe material	<input type="text"/>			
<input checked="" type="checkbox"/> Process medium	<input type="text"/>			
<input checked="" type="checkbox"/> Type of media	<input type="checkbox"/> Liquid	<input type="checkbox"/> Steam	<input type="checkbox"/> Gas	
	min	standard	max	unit
<input checked="" type="checkbox"/> Flow rate (Q, Q <sub>N</sub> , W) <sup>1)</sup>	<input type="text"/>	<input type="text"/>	<input type="text"/>	<input type="text"/>
<input checked="" type="checkbox"/> Temperature at valve inlet	<input type="text"/>	<input type="text"/>	<input type="text"/>	<input type="text"/>
<input checked="" type="checkbox"/> Absolute pressure at valve inlet	<input type="text"/>	<input type="text"/>	<input type="text"/>	<input type="text"/>

<sup>1)</sup> standard unit: Liquid Q = m<sup>3</sup>/h; Steam W = kg/h; Gas Q<sub>N</sub> = Nm<sup>3</sup>/h

**Valve features**

**Specification key**

automatically transferred from last page [go to page](#)

<input type="checkbox"/>	<input type="checkbox"/>	<input type="checkbox"/>	<input type="checkbox"/>	<input type="checkbox"/>	<input type="checkbox"/>	<input type="checkbox"/>	<input type="checkbox"/>	<input type="checkbox"/>
--------------------------	--------------------------	--------------------------	--------------------------	--------------------------	--------------------------	--------------------------	--------------------------	--------------------------

Surface finish (if not standard)









internal  μm external  μm

Pilot pressure

min.  max.

continued next page

Valve system Continuous Classic Type 8802-DD - Request for quotation, continued

Control unit features		
<input type="checkbox"/> Positioner TopControl Type 8692  <input type="checkbox"/> Process Controller TopControl Type 8693  <input type="checkbox"/> Positioner TopControl Basic Type 8694 	<input type="checkbox"/> Positioner TopControl Basic Type 8694 	
<p><b>Pneumatic function</b></p> <input type="checkbox"/> Single-acting <input type="checkbox"/> Double-acting <p><b>Communication</b></p> <input type="checkbox"/> Profibus <input type="checkbox"/> DeviceNet <p><b>Electrical connection</b></p> <input type="checkbox"/> Cable gland <input type="checkbox"/> Multipol connection <p><b>Feedback</b></p> <input type="checkbox"/> 4-20 mA <input type="checkbox"/> 4-20 mA + 2 binary outputs <p><b>Initiator</b></p> <input type="checkbox"/> Initiator <p><b>Please specify item no. if known:</b>  <input type="text"/></p>	<p><b>Pneumatic function</b></p> <input type="checkbox"/> Single-acting <p><b>Pilot air ports</b></p> <input type="checkbox"/> Push-in connector external <small>ø 6 mm or 1/4"</small> <input type="checkbox"/> Thread G 1/8" <p><b>Electrical connection</b></p> <input type="checkbox"/> Cable gland <input type="checkbox"/> Multipol connection <p><b>Feedback</b></p> <input type="checkbox"/> 4-20 mA <p><b>Please specify item no. if known:</b>  <input type="text"/></p>	
<input type="checkbox"/> Positioner TopControl Type 8630 - 3-wire 	<input type="checkbox"/> Positioner SideControl Type 8635 - 2-wire 	<input type="checkbox"/> Positioner SideControl Remote Type 8792  <input type="checkbox"/> Process Controller SideControl Remote Type 8793 
<p><b>Power supply</b> 24 VDC</p> <p><b>Communication</b></p> <p>Setpoint / feedback analogue signal or via BUS</p> <input type="checkbox"/> Profibus DP <input type="checkbox"/> DeviceNet <p><input type="checkbox"/> <b>Positioner version</b></p> <p>Input 0/4 - 20 mA / 0-5/10 V</p> <p>Feedback</p> <input type="checkbox"/> 4 - 20 mA <i>or/and</i> <input type="checkbox"/> Binary <p><input type="checkbox"/> <b>PID Controller version</b><sup>3)</sup></p> <p>Input measuring signal  4 - 20 mA / Pt100 / Frequency</p> <p><b>Inductive proximity switch</b></p> <input type="checkbox"/> 1 <input type="checkbox"/> 2 <p><b>Please specify item no. if known:</b>  <input type="text"/></p>	<p><input type="checkbox"/> <b>Standard</b></p> <input type="checkbox"/> ATEX/FM Zone 1 <input type="checkbox"/> <b>Zone 2/22</b> <p><b>Power supply</b> 24 VDC  via setpoint or BUS</p> <p><b>Communication</b></p> <p>Setpoint / feedback analogue signal  or via BUS    <input type="checkbox"/> Profibus PA</p> <p><input type="checkbox"/> <b>Positioner version</b></p> <p>Input 4 - 20 mA</p> <p>Feedback</p> <input type="checkbox"/> 4 - 20 mA <i>or/and</i> <input type="checkbox"/> Binary <p><input type="checkbox"/> <b>PID Controller version</b><sup>3)</sup></p> <p>Input measuring signal  4 - 20 mA</p> <p><b>Inductive proximity switch</b></p> <input type="checkbox"/> 1 <input type="checkbox"/> 2 <p><b>Please specify item no. if known:</b>  <input type="text"/></p>	<p><b>Power supply</b> 24 VDC</p> <p><b>Communication</b></p> <input type="checkbox"/> Without <input type="checkbox"/> Profibus DPV1 <p><b>Feedback</b></p> <input type="checkbox"/> Analogue feedback + 2 binary outputs <input type="checkbox"/> 2 binary outputs <p><b>Electrical connection</b></p> <input type="checkbox"/> Cable gland <input type="checkbox"/> Multipol connection <p><b>Please specify item no. if known:</b>  <input type="text"/></p>

<sup>3)</sup> same setpoint for input and feedback signal as for Positioner version

**Certifications**

- Attestation of compliance with the order EN-ISO 10204 2.1 (Item-No. 440 788)
- Test report EN-ISO 10204 2.2 (Item-No. 803 722)
- Certification of Conformity for Raw Material EN-ISO 10204 3.1 (Item-No. 803 723)
- EN161 (European Gas Device guideline)
- FDA - USP certificate

Valve features, specification key

Example

A 15 AB VG SA42 C F NO06

Specification key

Please make a choice

CONTROL FUNCTION

A	normally closed by spring action
B	normally open by spring action
I	double acting

ORIFICE [mm] (Diaphragm size)

15
20
25
32
40
50

SEAL MATERIAL

AB	EPDM in food quality
EA	PTFE/EPDM
FF	FKM
EU	advanced PTFE/EPDM in two pieces
ET	advanced PTFE (bonded on EPDM)

BODY MATERIAL

VG	Cast stainless steel 316L/1.4435
----	----------------------------------

VARIABLE CODES

Surface finish, internal	
NO06	int. mechanical polished Ra=0.8 µm <i>Standard</i>
NO16	int. electro polished Ra=0.6 µm

ACTUATOR SIZE <sup>1)</sup>

F	ø 80 mm
G	ø 100 mm
H	ø 125 mm

<sup>1)</sup> see technical data on p. 2

ACTUATOR MATERIAL

C	PA <i>Standard</i>
D	PPS



PORT CONNECTION

Port connection weld end

Port conn. [mm]	EN ISO 1127/ISO 4200	SMS 3008	DIN 11850				BS 4825	ASME BPE	JIS Sanitary	JIS Utility
			Series 0	Series 1	Series 2	Series 3				
15	SA42=21.3x1.6		SC43=18x1.5	SF41=18x1.0	SD42=19x1.5	SE42=20x2.0	SODD=12.7x1.2	SA92=12.7x1.65	SA72=21.7x2.1	
20	SA43=26.9x1.6		SC44=22x1.5	SF42=22x1.0	SD43=23x1.5	SE43=24x2.0	SODE=19.05x1.2	SA93=19.05x1.65	SA76=27.2x2.1	SA80=27.2x2.1
25	SA44=33.7x2.0	SA60=25.0x1.2	SC45=28x1.5	SF43=28x1.0	SD44=29x1.5	SE44=30x2.0	SODF=25.4x1.65	SODF=25.4x1.65	SA73=25.4x1.2	SA81=34x2.0
32	SA45=42.4x2.0		SC46=34x1.5	SF44=34x1.0	SD45=35x1.5	SE45=36x2.0				SA83=42.7x2.0
40	SA46=48.3x2.0	SA62=38.0x1.2	SC47=40x1.5	SF45=40x1.0	SD46=41x1.5	SE46=42x2.0	SODH=38.1x1.65	SODH=38.1x1.65	SA74=38.1x1.2	SA84=60.5x2.0
50	SA47=60.3x2.0	SA63=51.0x1.2	SC48=52x1.5	SF46=52x1.0	SD47=53x1.5	SE47=54x2.0	SODI=50.8x1.65	SODI=50.8x1.65	SA75=50.8x1.5	

Clamp

Port conn. [mm]	ISO 2852 SMS 3017	BS4825	DIN 32676
	15	TC42=Clamp 34 - for tube ISO 4200	TH43=Clamp 25 - Tube 19.05x1.2
20	TC43=Clamp 50.5 - for tube ISO 4200		TD43=Clamp 34 - Tube 23x1.5
25	TC44=Clamp 50.5 - for tube ISO 4200	TG44=Clamp 50.5 - Tube 25.4x1.65	TD44=Clamp 50.5 - Tube 29x1.5
40	TC46=Clamp 64 - for tube ISO 4200	TG45=Clamp 50.5 - Tube 38.1x1.65	TD46=Clamp 50.5 - Tube 41x1.5
50	TC47=Clamp 77.5 - for tube ISO 4200	TG46=Clamp 64 - Tube 50.8x1.65	TD47=Clamp 64 - Tube 53x1.5

In case of special application conditions, please consult for advice.

Subject to alteration.  
© Christian Bürkert GmbH & Co. KG

1207/9\_EU-en\_00891908