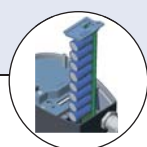




options

**Rugged Display**

with operating buttons

**SAFEPOS**

energy-pack

**Type 3361**

Globe control valve

**Fieldbus**

Electromotive 2 way diaphragm control valve

- Precise and fast control
- Safety position with energy pack
- Adjustable force for increased diaphragm lifetime
- Various diaphragms, stainless steel and plastic bodies available
- Diagnostic functions and fieldbus integration

powered by
EDIP

The innovative diaphragm control valve Type 3363 is the solution when it comes to demanding control tasks in areas with media contact such as the Food and Beverage, Cosmetic, Pharma and Biopharma Industry.

The electromotive actuator with ball screw positions the diaphragm with quasi delay free with highest precision and – for electromotive valves – unique speed of 4 mm/s that can be varied acc. to plant design.

Pressure variations or shocks in the medium aren't transferred to the valve position. If necessary, the safety position can be realized with optional energy storage in case of power failure. Many helpful functions for process monitoring, valve diagnostics and predictive maintenance can be used. Beside the mechanical position indication a 360°- LED illuminated ring displays valve position and information about warnings or errors. Communication is possible with both analogue signals and modern fieldbus systems.

Trusted valve bodies and diaphragms ensure media separation with minimum dead leg and are easy to clean. Demanding environments are no problem for Type 3363 with its high IP-protection and high resistance to vibration and shocks. Hygienic design allows a fast and residue-free exterior cleaning.

The actuator force can be exactly adjusted for the operating conditions to optimize diaphragm life.

Technical data	
Port connection size	DN8 - DN50 (1/4" - 2")
Diaphragm size	8 - 40
Body material	
Stainless steel	forged 316L/1.4435/BN2 tube 316L/1.4435/BN2 cast, tank bottom and T-body on request
Plastic	PVC (Polyvinyl chloride) PP (Polypropylene) PVDF (Polyvinylidene fluoride)
Port connections stainless steel	
Weld ends	ASME BPE / DIN 11866 C DIN EN ISO 1127/ISO 4200/DIN11866 B DIN 11850 2/DIN11866 A BS4825 SMS 3008 DIN 11850 0
Clamps	ASME BPE DIN 32676 A (with pipe DIN 11850 2) DIN 32676 B (with pipe ISO 4200) further port connections on request
Port connections plastic	True union (solvent), true union (weld), weld ends and solvent sockets
Surface finish - forged	
internally electropolished	Ra ≤ 0.38 µm (ASME BPE SF4)
internally mechanically polished	Ra ≤ 0.5 µm (ASME BPE SF1)
Surface finish - tube body	
internally electropolished	Ra ≤ 0.38 µm (ASME BPE SF4)
Materials	
Diaphragm materials	EPDM (AB), PTFE/EPDM (EA), EPDM (AD), advanced PTFE/EPDM (EU), Gylon®/EPDM laminated (ER) , FKM (FF)

Content

Technical data/dimensions

forged body	p. 10	tube body	p. 13	plastic body	p. 15
-------------	-------	-----------	-------	--------------	-------

Technical data, continued

Medium temperature	
EPDM (AB), PTFE/EPDM (EA)	-10 to +130 °C (steam sterilisation +140 °C for 60 min)
EPDM (AD), advanced PTFE/EPDM (EU)	-5 to +143 °C (steam sterilisation +150 °C for 60 min)
Gylon®/EPDM laminated (ER)	-5 to +130 °C (steam sterilisation +140 °C for 60min)
FKM (FF)	0 to +130 °C (not recommended for steam)
Media	Neutral gases and liquids, high-purity, sterile, aggressive or abrasive fluids
Viscosity	Up to viscous
Installation	As required, preferably with actuator in upright position
Ambient temperature	-10 to +65 °C* (without display) -10 to +60 °C* (with display) -10 to +55 °C* (with SAFEPOS energy storage) * depends on media temperature see temperature chart
Safety position at power failure	with SAFEPOS energy-pack: opened, closed or free programmable withouth SAFEPOS energy-pack: blocked in last position
Power supply	24 V DC +/- 10% (max. residual ripple 10%)
Closure time	< 1.5 s to 4.5 s depending on diaphragm size
Travel speed	4 mm/s
Duty cycle	100%
Protection class	IP65 / IP67
Controller	Positioner or process controller
Analoque control	Setpoint: 0-20 mA, 4-20 mA, 0-5 V, 0-10 V actual value optional
Digital control (fieldbus)	EtherNet/IP, Modbus/TCP, Profi net (on request)

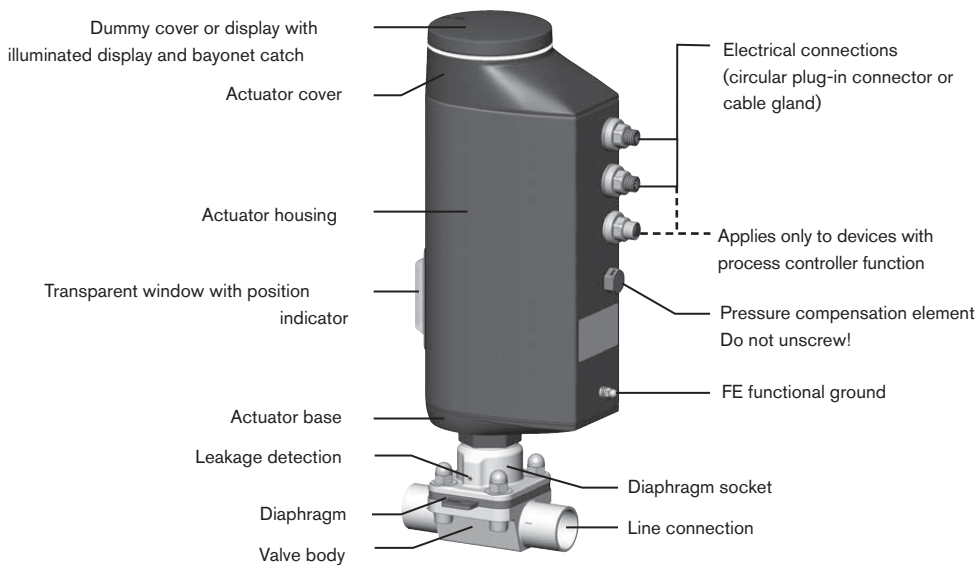
Structure and function

The electromotive linear actuator consists of a brushless direct current motor, gears and a threaded spindle. The valve spindle, which is connected to the threaded spindle, transfers the force to the diaphragm. The electronic control system is actuated either via standard signals (analog) or via a field bus (digital). Available controller types are a position controller or a process controller. Optionally there is the energy pack (SAFEPOS energy-pack) for the device. If the supply voltage fails, the energy pack supplies the actuator with the required energy to move the valve into the required position which can be adjusted via a menu.

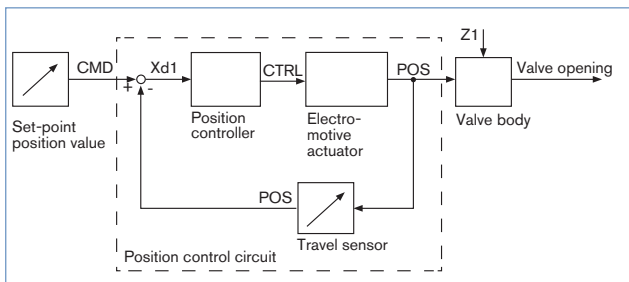
The valve position can be manually changed in 2 ways. Either over an electrical manual control or over mechanical manual control, if no supply voltage applied. The device can be set and operated either via 2 capacitive buttons and 4 DIP switches or optionally on a display with touch-screen. There is also the option of setting the device via the bus Service interface and by using the PC software "Bürkert-Communicator".

The intelligent process valve Type 3363 offers options for process monitoring, valve diagnostics and predictive maintenance. The state of the device is monitored and if necessary warnings or error messages for inadmissible environmental and operational conditions, disfunctional components or a critical state of the energy storage are displayed.

For a good diaphragm lifetime the actuator force is adjusted according to diaphragm size by default. It can even be adapted according to the operational conditions for an optimum diaphragm cycle life.

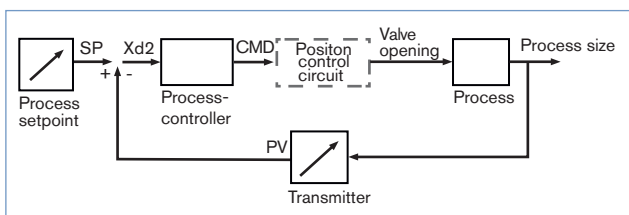


Structure, electromotive diaphragm control valve Type 3363



Integrated position controller

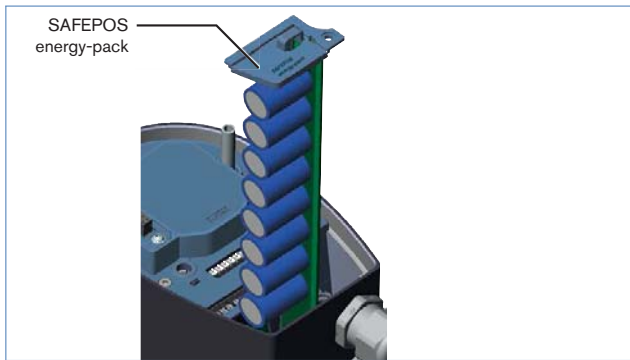
The position of the actuator (stroke) is regulated according to the set-point position value. The set-point position value is specified either by an external standard signal (analog) or via a field bus (digital). The travel sensor records the actual position (POS) of the electric linear actuator. The position controller compares this actual position value with the set-point position value (CMD) which is defined as standard signal. If there is a control difference (Xd1), the electromotive actuator is controlled via the CTRL variable and the actual position value is changed accordingly.



Integrated process controller

Process control can be carried out by the additional PID controller. From the external signal (z.B. level, pressure, flow, temperature) the process setpoint and the actual process value is calculated on the control parameters (PID controller) for the target position of the valve.

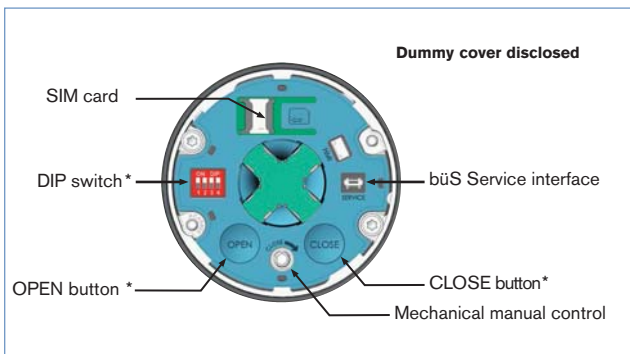
Structure and function, continued



Safety position with energy storage (Option)

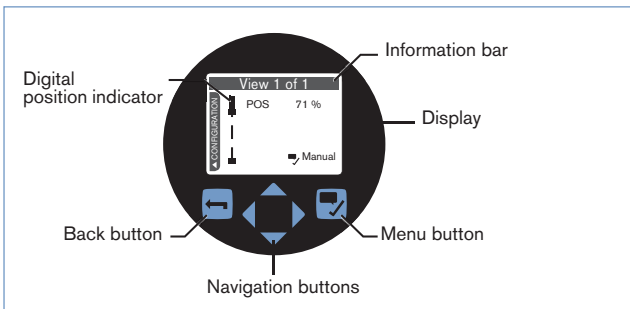
The safety position in case of power interruption is realized with the optional energy-pack SAFEPOS. The desired position is adjusted in the menu. Here any intermediate position can be defined in addition to the end positions (NO / NC). The energy storage has a lifespan of up to 10 years, depending on the operating conditions. The power of the energy storage is monitored and a warning is displayed to indicate its life is coming to an end. The memory is designed as a plug-in module making it easy to exchange. Without energy storage the valve remains in the last position.

Controls and indicators



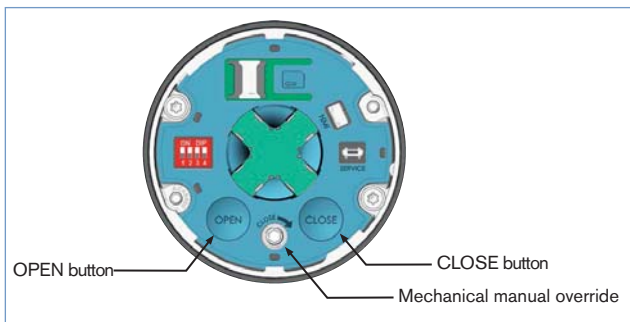
Devices without display module

In the version without control display the basic functions are operated by 4 DIP switches and 2 pushbuttons. These are located under the dummy cover which can be removed manual by turning. Through the büS service access, the device can also be configured in detail with the Bürkert communicator software. For this, the optional USB-büS interface kit is required.



Rugged display with control buttons (optional)

The robust display module is easy to use, it configures and displays all the required functions. In addition to the start screen you can also switch to the configuration view and user-specified views as needed. All functions of the device without display module like büS-Service interface are available, too.



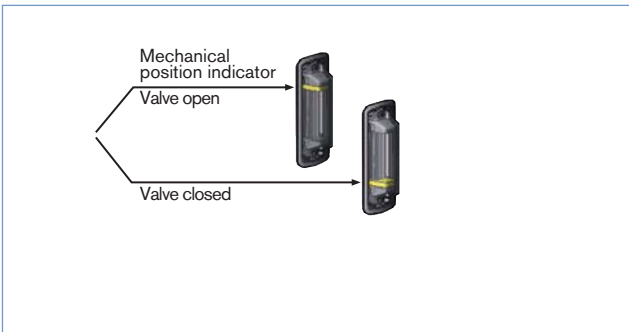
Manual and electrical operation

The manual override for mechanical operation of the valve is located under the dummy cover or the display module. Electrical manual override for the procedure is carried out directly on the touch screen, or in the version without a display by two buttons below the dummy cover.

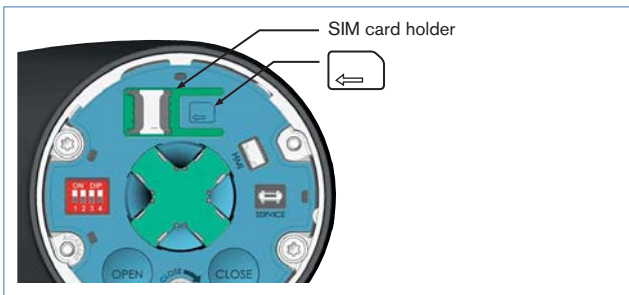
Controls and indicators, continued

**360°- LED Illuminated ring**

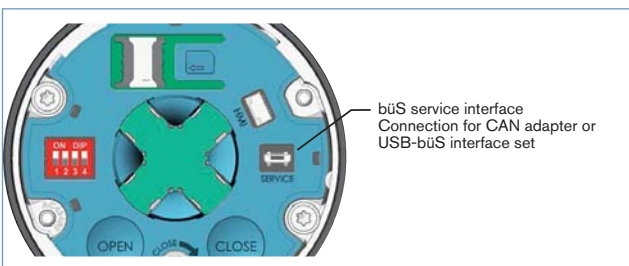
To display the device status, the valve end position and the operating condition, a visible 360° LED illuminated ring is mounted around the dummy cover or the display module. The LED ring lights up, flashes or flashes in one or different colors. Depending on customer requirements 4 different LED modes can be selected (Namur mode, valve mode without warnings, valve mode with warnings, LED off)

**Mechanical position indicator**

The mechanical position indicator also indicates when the supply voltage of the current valve position fails

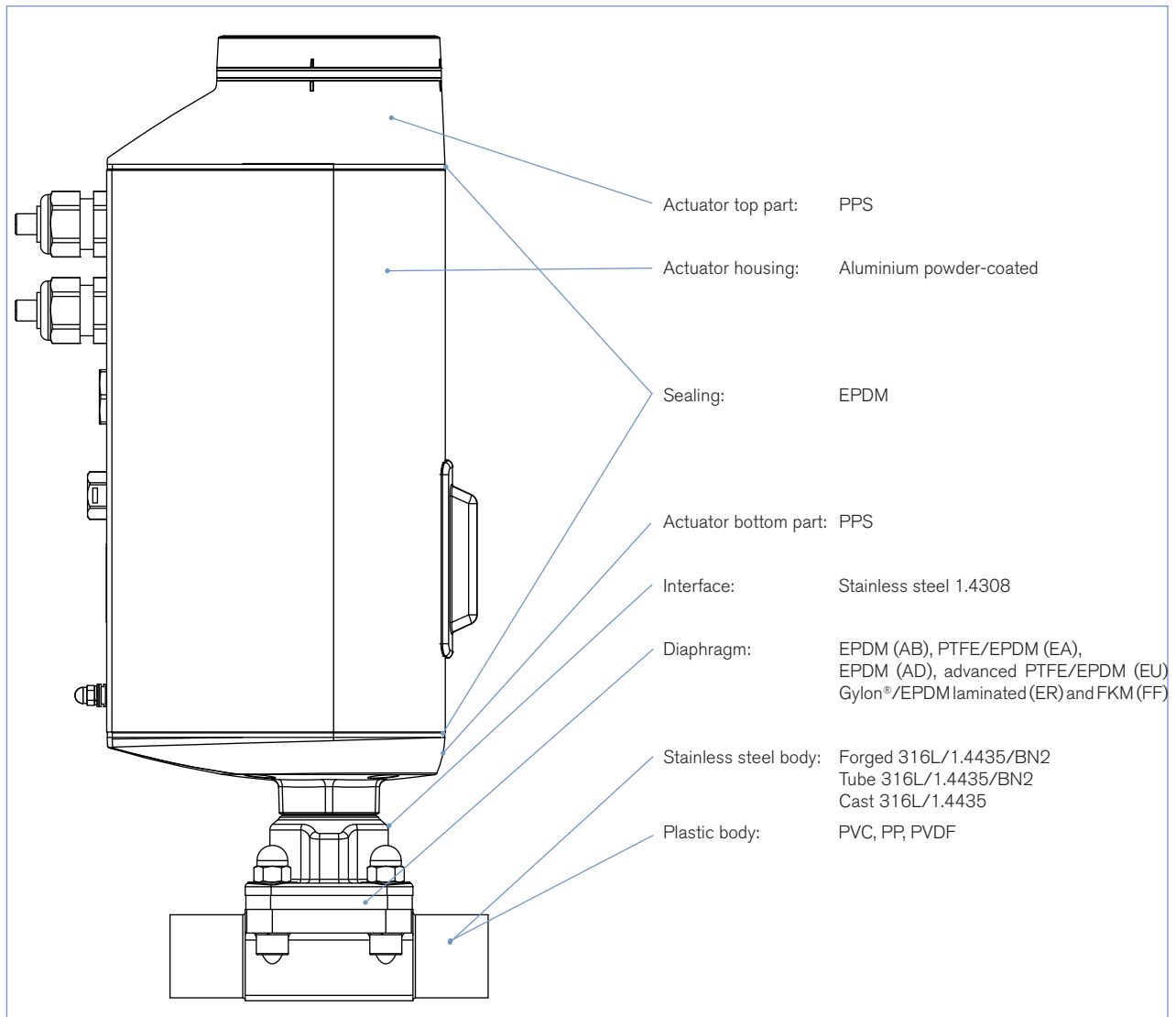
**SIM card as data storage (option)**

With the SIM card optional device-specific values and user settings can be saved and quickly transferred to another device.

**būs service interface**

The būs service interface connects the device to the communicator software on a PC, laptop or smartphone. From there, a configuration of the device or failure diagnosis can be performed.

Materials



Note: The depiction of the products may differ from the actual specific design (e.g. body material, and port connection)

Approvals

Suitability for foodstuffs / sterile applications



- The composition of the EPDM (AB), EPDM (AD), PTFE/EPDM (EA), advanced PTFE (EU) and GYLON®/EPDM laminated (ER) diaphragms corresponds to the Code of Federal Regulations, published by the FDA (Food and Drug Administration, USA).



- The composition of the EPDM (AB), EPDM (AD), PTFE/EPDM (EA), advanced PTFE (EU) and GYLON®/EPDM laminated (ER) diaphragms is suitable for the application with food and beverage (acc. to EC-Regulation 1935/2004/EC)



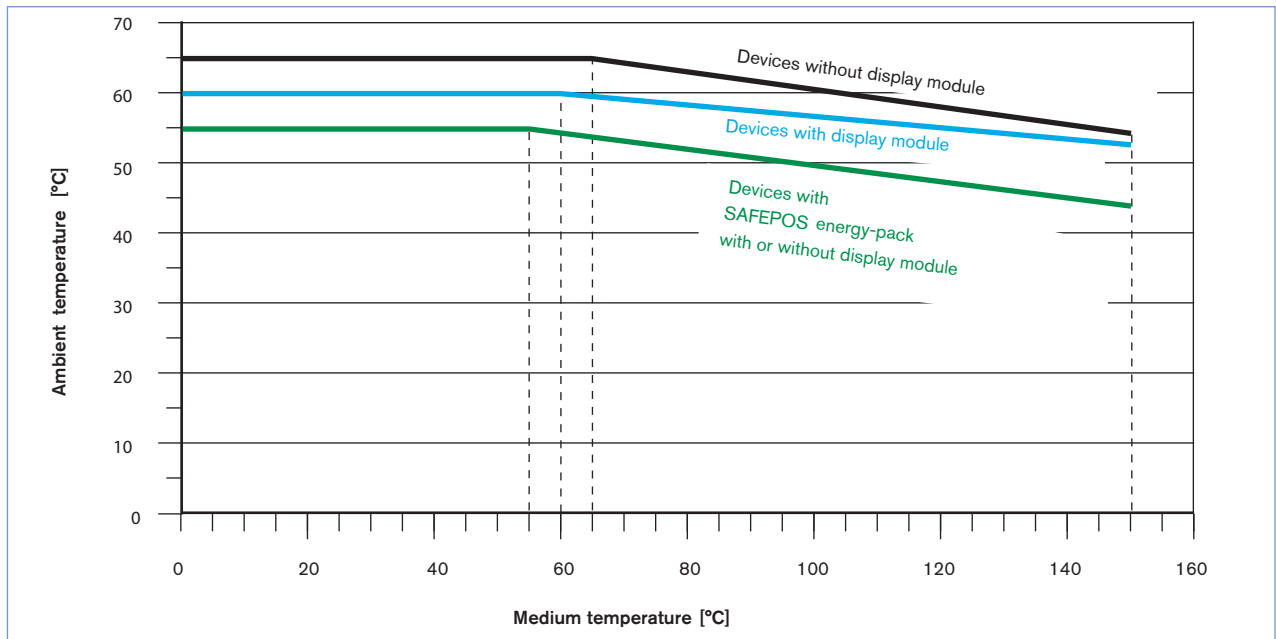
- The composition of the EPDM (AB), EPDM (AD), PTFE/EPDM (EA), advanced PTFE (EU) and GYLON®/EPDM laminated (ER) diaphragms are approved acc. USP Class VI

- The diaphragm valve with tube valve body and EPDM or PTFE has been evaluated for compliance with the *Hygienic Equipment Design Criteria* of the EHEDG

Technical data

Temperature chart

The maximum allowable ambient temperature and media temperature influence each other. The maximum allowable temperature curves of different device variants can be seen in the temperature chart.

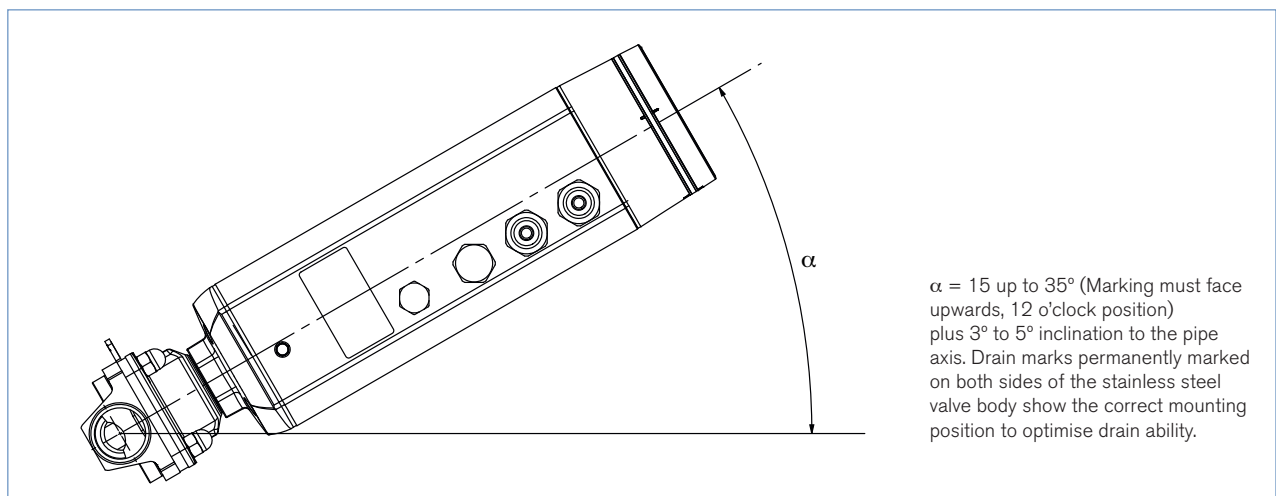


Pressure values

Diaphragm size	Max. operating pressure [bar]	
	EPDM, FKM	PTFE, advanced PTFE, Gylon®
8	10	10
15	10	10
20	10	10
25	10	10
32	8	5.5
40	4	2.5

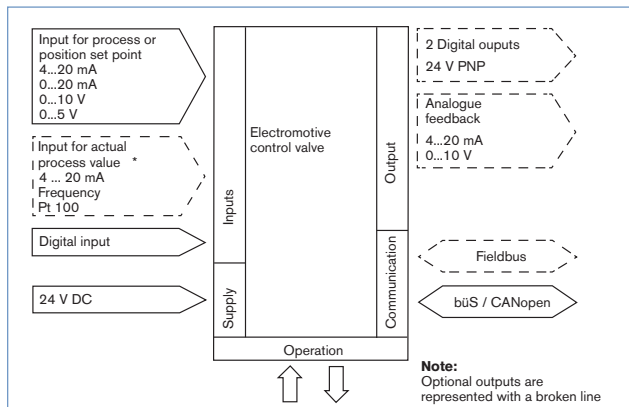
Pressure values: Overpressure to the atmospheric pressure, valve closes dynamical against max. operating pressure.

Installation for self-draining operation



Technical data, continued

Electrical data	
Protection class	3 acc. to DIN EN 61140
Electrical connections	Cable gland, 2 x M20 or 2 circular plug-in connector M12, 5-pin and 8-pin, 1 circular plug-in connector M12, 5-pin (only by process controller)
Operating voltage	24 V DC \pm 10 % max. residual ripple 10 %
Operating current [A]*	max. 3 A including actuator at max. load and charging current of the optional SAFEPOS energy-pack (charging current approx. 1 A)
Lifelong energy storage SAFEPOS energy-pack	up to 10 years (depending on operating conditions)
Electronic without actuator [W]*	min. 2 W, max. 5 W
Control	
Analogue input setpoint:	galvanically isolated from the supply voltage and analog output 0/4...20 mA (input resistance 60 Ω) 0...5/10 V (input resistance 22 k Ω)
Analogue actual value input 4...20 mA	Input resistance: 60 Ω Resolution: 12 bits
Frequency	Measurement range: 0...1000 Hz Input resistance: > 30 k Ω Resolution: 1‰ of measurement value Input signal: > 300 mV _{ss} Waveform: Sine wave, rectangle wave, triangle wave Measurement range: -20 to +220 °C
Pt 100	Resolution: < 0.1 °C Measurement current: 1 mA
Output analogue:	Max. current 10 mA (for voltage output 0...5/10 V) Bürde (Last) 0...560 Ω (for current output 0/4...20 mA)
Output digital:	current limit 100 mA
Input digital:	0...5 V = log „0“, 10...30 V = log „1“ inverted input reversed accordingly
Communication interface:	Connection to PC via USB b \ddot{u} S interface set
Communication Software:	Bürkert communicator

**Electrical control and interface**

The position of the actuator is regulated according to the set-point position value. The set-point position value is specified either by an external standard signal (analog) or via a field bus (digital).

Analogue Control

For analogue control 2 variants are available for the inputs and outputs and the connection interface

Input and output:

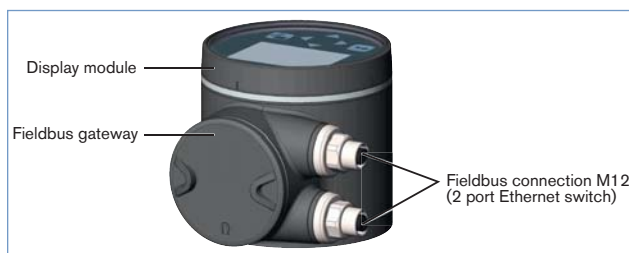
- * 1 analogue input, 1 binary input
- * 1 analogue input, 1 binary input, 1 analogue output, 2 binary output (option)
- 1 input for process actual value (for process controller version)

Interface:

- * cable gland with connection terminal
- * M12 circular connectors M12 (option)

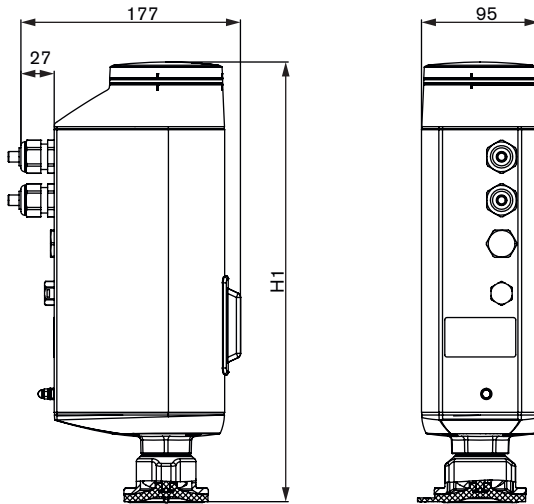
Fieldbus: EtherNet/IP, PROFINET, Modbus TCP (option)

The Fieldbus Gateway for EtherNet / IP, PROFINET and Modbus TCP is integrated into a special module. It has 2 fieldbus connections with 4-pin M12 circular connectors. Under the gateway housing cover are the interfaces for the fieldbus connection and status LEDs. If there is a need to be include it in a network then the configuration of the Ethernet can be performed via the web server.

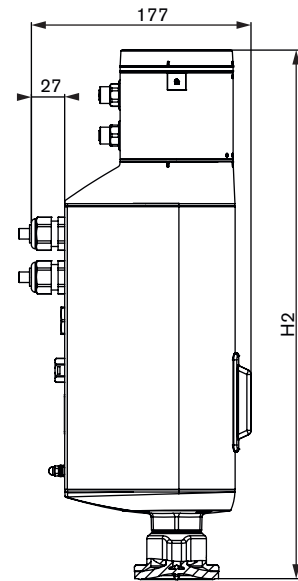


Dimensions [mm] - actuator

Standard (with display or blind cover)



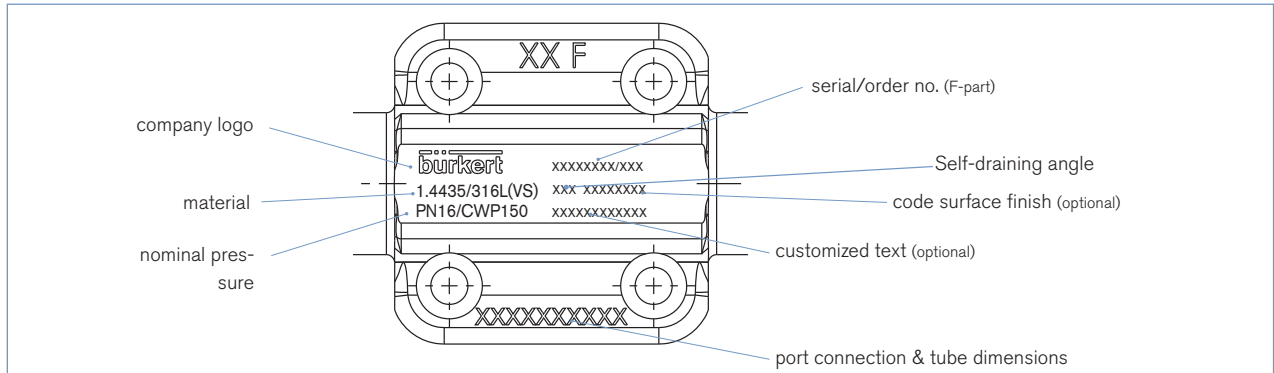
with fieldbus gateway



Diaphragm size	Height [mm]	
	H1	H2
8	342	414
15	345	418
20	350	422
25	355	426
32	365	436
40	370	442

Technical data, forged body

Body label

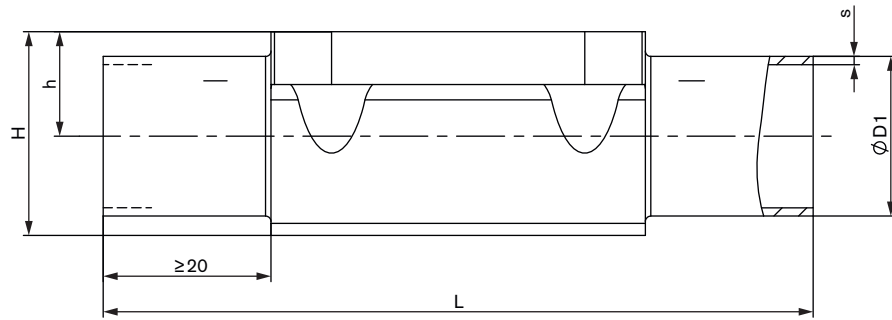


Kv values

Port Connection DN		Diaphragm size	Kv value [m³/h]					
[mm]	[inch]		DIN EN ISO 1127 ISO 4200 DIN 11866 B	DIN 11850 2 DIN 11866 A	ASME BPE DIN 11866 C	DIN 11850 0	BS4825	SMS3008
6	1/8"	8	-	-	-	1.1	-	-
8	1/4"	8	1.5	-	0.7	1.7	0.5	-
10	3/8"	8	1.5	1.5	1.6	-	1.4	-
15	1/2"	8	-	-	1.5	-	-	-
10	3/8"	15	5.5	3.5	-	-	-	-
15	1/2"	15	6.5	6.5	3.1	-	3.7	-
20	3/4"	15	-	-	6.5	-	-	-
20	3/4"	20	12.5	12.4	8.4	-	8.9	-
25	1"	25	18	20	15.5	-	15.5	16
32	1 1/4"	40	-	34	-	-	-	-
40	1 1/2"	40	41	40	37	-	37	38

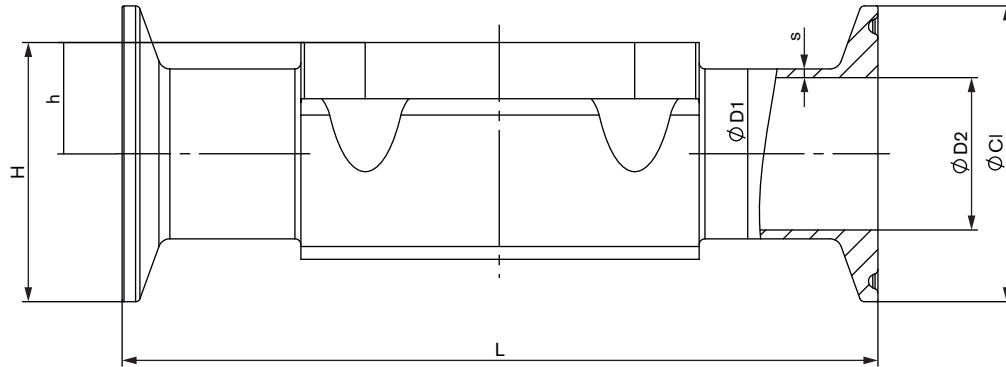
Flow rate: Kv value [m³/h] for elastomer diaphragms measured at 20°C and 1 bar pressure drop at mean operating pressure.

Dimensions [mm] forged body - weld end



Port Connection DN		Diaphragm Size	ØD1	s	h	H	L
[mm]	[inch]		[mm]	[mm]	[mm]	[mm]	[mm]
DIN EN ISO 1127 / ISO 4200 / DIN 11866 B							
8	1/4"	8	13.5	1.6	9	19	90
10	3/8"	8	17.2	1.6	9	19	90
10	3/8"	15	17.2	1.6	12	24	110
15	1/2"	15	21.3	1.6	12	24	110
20	3/4"	20	26.9	1.6	16	30	119
25	1"	25	33.7	2.0	19	37	129
32	1 1/4"	40	42.4	2.0	28	52	161
40	1 1/2"	40	48.3	2.0	28	52	161
DIN 11850 2 / DIN 11866 A							
10	3/8"	8	13.0	1.5	9	19	90
10	3/8"	15	13.0	1.5	8	20	110
15	1/2"	15	19.0	1.5	12	24	110
20	3/4"	20	23.0	1.5	16	30	119
25	1"	25	29.0	1.5	19	37	129
32	1 1/4"	40	35.0	1.5	28	52	161
40	1 1/2"	40	41.0	1.5	28	52	161
ASME BPE / DIN 11866 C							
8	1/4"	8	6.35	0.89	6	15	78
10	3/8"	8	9.53	0.89	6	15	89
15	1/2"	8	12.70	1.65	9	19	89
15	1/2"	15	12.70	1.65	8	20	108
20	3/4"	15	19.05	1.65	12	24	108
20	3/4"	20	19.05	1.65	16	30	117
25	1"	25	25.40	1.65	19	37	127
40	1 1/2"	40	38.10	1.65	28	52	159
BS 4825							
8	1/4"	8	6.35	1.20	6	15	78
10	3/8"	8	9.53	1.20	6	15	89
15	1/2"	15	12.70	1.20	8	20	108
20	3/4"	20	19.05	1.20	16	30	117
25	1"	25	25.40	1.65	19	37	127
40	1 1/2"	40	38.10	1.65	28	52	159
SMS 3008							
25	1"	25	25.0	1.2	19	37	129
40	1 1/2"	40	38.0	1.2	28	52	161
DIN 11850 0							
6	1/8"	8	8.0	1.0	6	15	90
8	1/4"	8	10.0	1.0	6	15	90

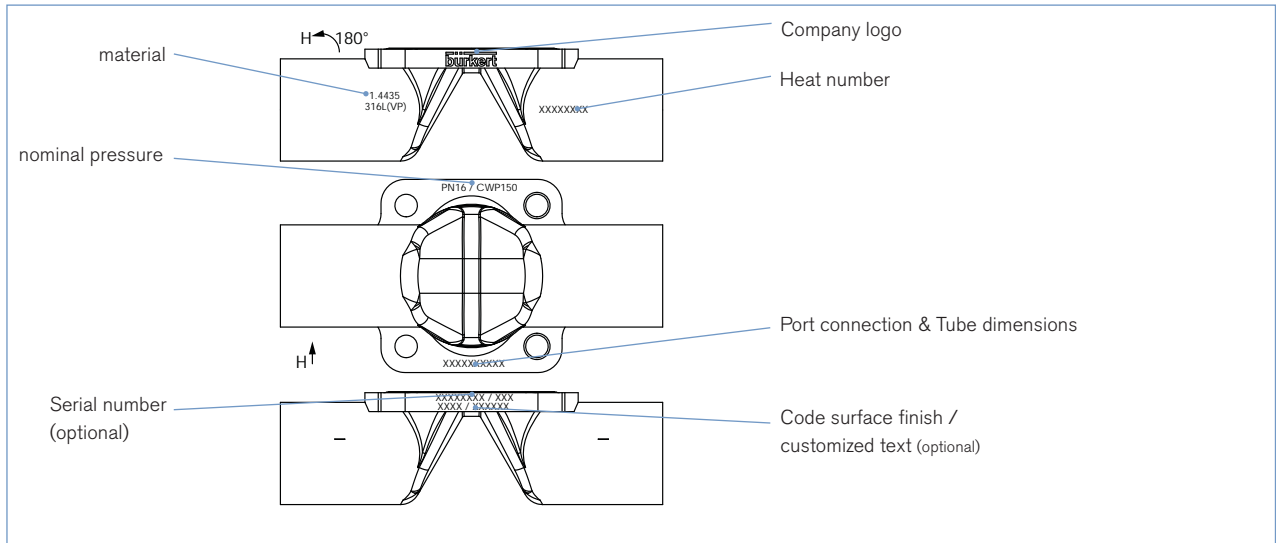
Dimensions [mm] forged body - clamp



Port Connection DN		Diaphragm Size	ØD1 [mm]	s [mm]	CI [mm]	ØD2 [mm]	h [mm]	H [mm]	L [mm]
[mm]	[inch]								
DIN 32676 B with pipe EN ISO 4200									
15	1/2"	15	21.3	1.6	50.5	18.1	12	37	167
20	3/4"	20	26.9	1.6	50.5	23.7	16	41	114
25	1"	25	33.7	2.0	50.5	29.7	19	44	129
40	1 1/2"	40	48.3	2.0	64.0	44.3	28	60	161
DIN 32676 A with pipe DIN 11850 2									
10	3/8"	15	13.0	1.5	34.0	10.0	8	25	110
15	1/2"	15	19.0	1.5	34.0	16.0	12	29	110
20	3/4"	20	23.0	1.5	34.0	20.0	16	33	119
25	1"	25	29.0	1.5	50.5	26.0	19	44	129
40	1 1/2"	40	41.0	1.5	50.5	38.0	28	53	161
ASME BPE									
8	1/4"	8	6.35	0.89	25.0	4.57	6	18	64
10	3/8"	8	9.53	0.89	25.0	7.75	6	18	89
15	1/2"	8	12.70	1.65	25.0	9.4	9	22	89
15	1/2"	15	12.70	1.65	25.0	9.4	8	21	89
20	3/4"	20	19.05	1.65	25.0	15.75	16	29	102
25	1"	25	25.40	1.65	50.5	22.1	19	44	114
40	1 1/2"	40	38.10	1.65	50.5	34.8	28	53	140

Technical data, tube body

Body label

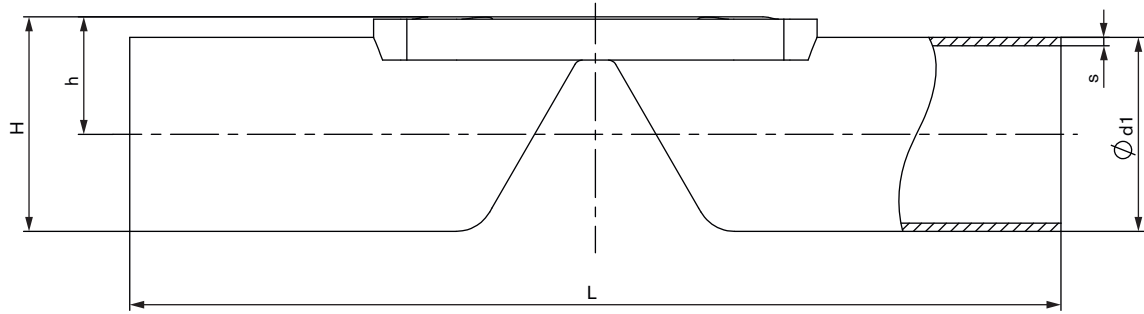


Kv values

Port Connection DN		Diaphragm size	Kv value [m³/h]		
[mm]	[inch]		DIN EN ISO 1127 ISO 4200 DIN 11866 B	DIN 11850 2 DIN 11866 A	ASME BPE DIN 11866 C
8	1/4"	8	2.1		-
10	3/8"	8		2.1	
15	1/2"	8	-		2
		15	6.7	6.5	-
20	3/4"	15	-	6.5	6.5
		20	13		-
25	1"	20	-	14	12.5
		25	17.5		-
32	1 1/4"	25		20	-
		32	36		-
40	1 1/2"	32	-	35	30
		40	47	-	-
50	2"	40	-	44	40

Flow rate: Kv value [m³/h] for elastomer diaphragms measured at 20°C and 1 bar pressure drop at mean operating pressure.

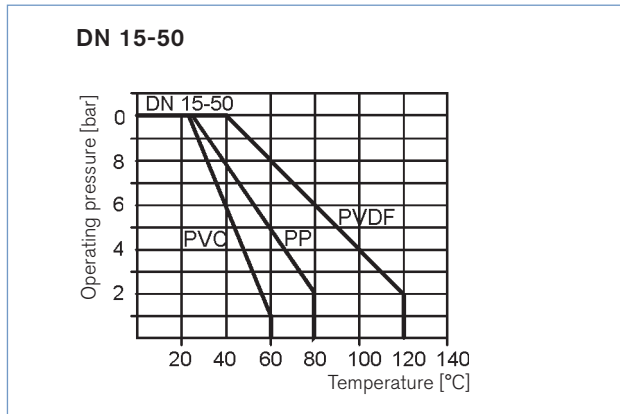
Dimensions [mm] tube body - weld end



Port Connection DN		Diaphragm Size	ØD1	s	h	H	L
[inch]	[mm]						
ASME BPE / DIN 11866 RC							
1/2"	15	8	12.7	1.65	9.5	15.8	90
3/4"	20	15	19.05	1.65	13.2	22.8	117
1"	25	20	25.4	1.65	16.4	29.1	127
1 1/2"	40	32	38.1	1.65	23.0	42.0	159
2"	50	40	50.8	1.65	30.6	56.0	190
DIN EN ISO 1127 / ISO 4200 / DIN 11866 RB							
1/4"	8	8	13.5	1.6	9.9	16.6	90
1/2"	15	15	21.3	1.6	14.4	25.0	110
3/4"	20	20	26.6	1.6	17.2	30.5	119
1"	25	25	33.7	2.0	20.6	37.4	129
1 1/4"	32	32	42.4	2.0	25.1	46.3	148
1 1/2"	40	40	48.3	2.0	29.4	53.5	161
DIN 11850 2 / DIN 11866 A							
3/8"	10	8	13	1.5	9.9	16.4	90
1/2"	15	15	19	1.5	13.2	22.7	110
3/4"	20	15	23	1.5	15.2	26.7	119
1"	25	20	29	1.5	18.2	32.7	129
1 1/4"	32	25	35	1.5	21.2	38.7	148
1 1/2"	40	32	41	1.5	24.4	44.9	161
2"	50	40	53	1.5	31.7	58.2	192

Technical data - plastic body

Pressure-temperature chart

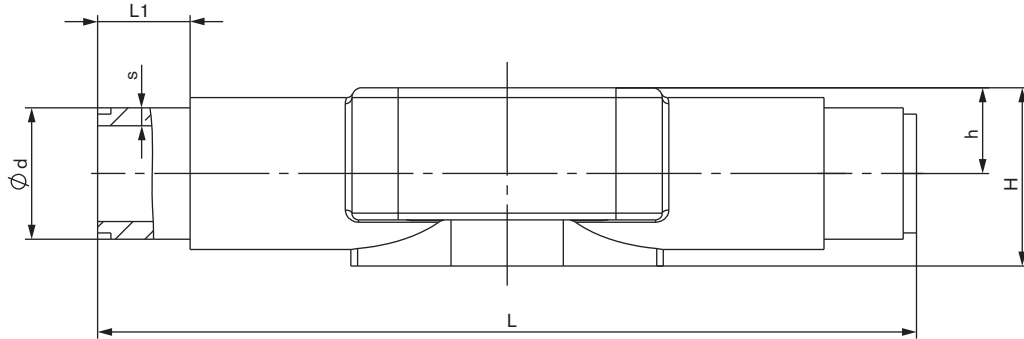


Kv values

Port Connection DN		Diaphragm size	Kv value [m ³ /h]
[mm]	[inch]		
15	1/2"	15	3.5
20	3/4"	20	7
25	1"	25	11
32	1 1/4"	32	18
40	1 1/2"	40	26

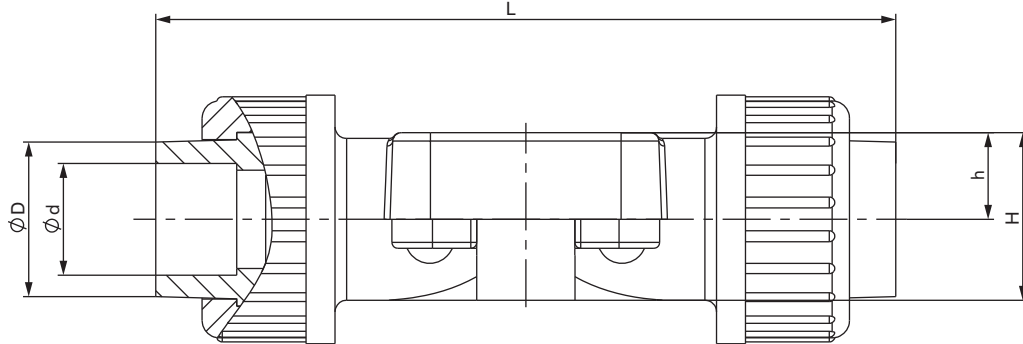
Flow rate: Kv value [m³/h] for elastomer diaphragms measured at 20°C and 1 bar pressure drop at mean operating pressure.

Dimensions [mm] plastic body - weld end and solvent socket



PVC - solvent socket								
Port Connection DN		Diaphragm Size	Ød	s	h	H	L	L1
[inch]	[mm]							
1/2"	15	15	20	2.75	15	29	124	16
3/4"	20	20	25	3.0	18.5	36	144	19
1"	25	25	32	3.75	22	43	154	22
1 1/4"	32	32	40	4.5	27	52.5	174	26
1 1/2"	40	40	50	6.0	33	65.5	194	31
PVDF - weld end								
Port Connection DN		Diaphragm Size	Ød	s	h	H	L	L1
[inch]	[mm]							
1/2"	15	15	20	2.35	15	29	124	19
3/4"	20	20	25	2.55	18.5	36	144	21
1"	25	25	32	3.2	22	43	154	23
1 1/4"	32	32	40	3.9	27	52.5	174	25
1 1/2"	40	40	50	5.2	33	65.5	194	28
PP - weld end								
Port Connection DN		Diaphragm Size	Ød	s	h	H	L	L1
[inch]	[mm]							
1/2"	15	15	20	2.7	15	29	124	14
3/4"	20	20	25	2.95	18.5	36	144	16
1"	25	25	32	3.7	22	43	154	18
1 1/4"	32	32	40	4.45	27	52.5	174	20
1 1/2"	40	40	50	5.95	33	65.5	194	23

Dimensions [mm] plastic body - true union



PVC true union (solvent)							
Port Connection DN		Diaphragm Size	Ød	ØD	h	H	L
[inch]	[mm]						
1/2"	15	15	20	27	15	29	128
3/4"	20	20	25	33	18.5	36	152
1"	25	25	32	41	22	43	166
1 1/4"	32	32	40	48	27	52.5	192
1 1/2"	40	40	50	59	33	65.5	222
PVDF true union (weld)							
Port Connection DN		Diaphragm Size	Ød	ØD	h	H	L
[inch]	[mm]						
1/2"	15	15	20	28	15	29	128
3/4"	20	20	25	36	18.5	36	150
1"	25	25	32	42	22	43	162
1 1/4"	32	32	40	53	27	52.5	184
1 1/2"	40	40	50	59	33	65.5	210
PP true union (weld)							
Port Connection DN		Diaphragm Size	Ød	ØD	h	H	L
[inch]	[mm]						
1/2"	15	15	20	27	15	29	128
3/4"	20	20	25	36	18.5	36	150
1"	25	25	32	41	22	43	162
1 1/4"	32	32	40	53	27	52.5	184
1 1/2"	40	40	50	59	33	65.5	210

Note
You can fill out the fields directly in the PDF file before printing out the form.

Valve system – request for quotation

▶ Please fill out and send to your nearest Bürkert office* with your inquiry or order

Company:	Contact person:
Customer no.:	Department:
Address:	Tel./Fax.:
Postcode/town:	E-Mail:

= mandatory fields to fill out

Quantity:

Required delivery date:

Operating data

Pipe line DN PN

Pipe Material

Process medium

Type of medium Liquid Steam Gas

	min.	standard	max.	Unit
<input type="checkbox"/> Flow rate (Q, Q _N , W) ¹⁾	<input type="text"/>	<input type="text"/>	<input type="text"/>	<input type="text"/>
<input type="checkbox"/> Temperature at valve inlet T1	<input type="text"/>	<input type="text"/>	<input type="text"/>	<input type="text"/>
<input type="checkbox"/> Absolute pressure at valve inlet P1	<input type="text"/>	<input type="text"/>	<input type="text"/>	<input type="text"/>
<input type="checkbox"/> Absolute pressure at valve outlet P2	<input type="text"/>	<input type="text"/>	<input type="text"/>	<input type="text"/>
Steam Pressure P _v	<input type="text"/>	<input type="text"/>	<input type="text"/>	<input type="text"/>
Kinematic viscosity (ν)	<input type="text"/>	mm ² /s or cSt		
Dynamic viscosity (η)	<input type="text"/>	mPa.s or cP		
Standard density	<input type="text"/>	Kg/m ³		
Max. sound level accepted	<input type="text"/>	dB (A)		

¹⁾ standard unit:
Liquid Q = m³/h;
Steam W = kg/h;
Gas Q_N = Nm³/h

Valves features

Body material Forged stainless steel Stainless steel tube PVC PP PVDF

Inner surface Electropolished Ra ≤ 0.38 μm (ASME BPE SF4) Mech. polished Ra ≤ 0.5 μm (ASME BPE SF1) Not relevant

Port connection size please state required size

Port connections

Stainless steel

Weld ends ASME BPE/DIN DIN 11866 C DIN EN ISO 1127/ISO 4200/DIN11866 B DIN 11850 2/DIN11866 A BS4825 SMS 3008 DIN 11850 0

Clamp ASME BPE DIN 32676 A (with pipe DIN 11850 2) DIN 32676 B (with pipe ISO 4200)

Plastic True union (solvent) weld ends true union (weld) solvent sockets

Diaphragm size please state required size

Diaphragm material EPDM (AB) PTFE/EPDM (EA) EPDM (AD) advanced PTFE/EPDM (EU) Gylon®/EPDM laminated (ER) FKM (FF)

Approvals FDA EC-Regulation 1935/2004/EC USP Class VI EHEDG

DTS 1000303711 EN Version: A Status: RL (released | freigegeben | valide) printed: 26.10.2016

Valve system – request for quotation, continued

Control unit features

User display

- with touch display
 without touch display

Controller version

- Position controller
 Process controller

Communication

- Analogue Digital (fieldbus)
- 1 analogue IN / 1 binary IN Ethernet / IP
- 1 analogue IN / 1 binary IN Profinet
- 1 analogue OUT / 2 binary OUT Modbus TCP

Electrical connection

- Cable gland (without Bus) Multipol connection

SIM card

- with
 without

Accessories

- Mounting bracket (for diaphragm size 8 included in delivery)
 Bürkert communicator - for more information visit www.burkert.com

Certifications

- Test Report 2.2 acc. to EN 10204 (Item-No. 803 722)
 Inspection Certificate 3.1 acc. to EN 10204 - Material Test Report (included in delivery)
 Inspection Certificate 3.1 acc. to EN 10204 - Surface Roughness Measurement (Item- No. 804175)
 FDA and USP compliance

Please specify item no. (if known):

Comments