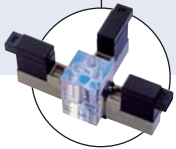


## 2/2 and 3/2-way Flipper Solenoid Valve, with hermetic isolation of fluid



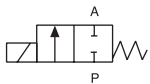
Type 6124 can be combined with...



### Manifolds

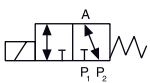
Thanks to the patented Bürkert flipper technology, the direct-acting Type 6124 solenoid valve is unique. It combines fast, precise switching behaviour with reliable media separation, and the design eliminates heat transfer between fluid and coil. FKM and PEEK allows the use of neutral and slightly aggressive fluids. The optional impulse model works with the smallest energy requirement, and is therefore especially suitable for battery operation; the heat transfer to the medium is negligible for this model. A minimal dead volume and gap-free internal design make it possible to use it in medical, analytical and laboratory technology.

### Circuit function A



2/2-way valve, NC

### Circuit function T

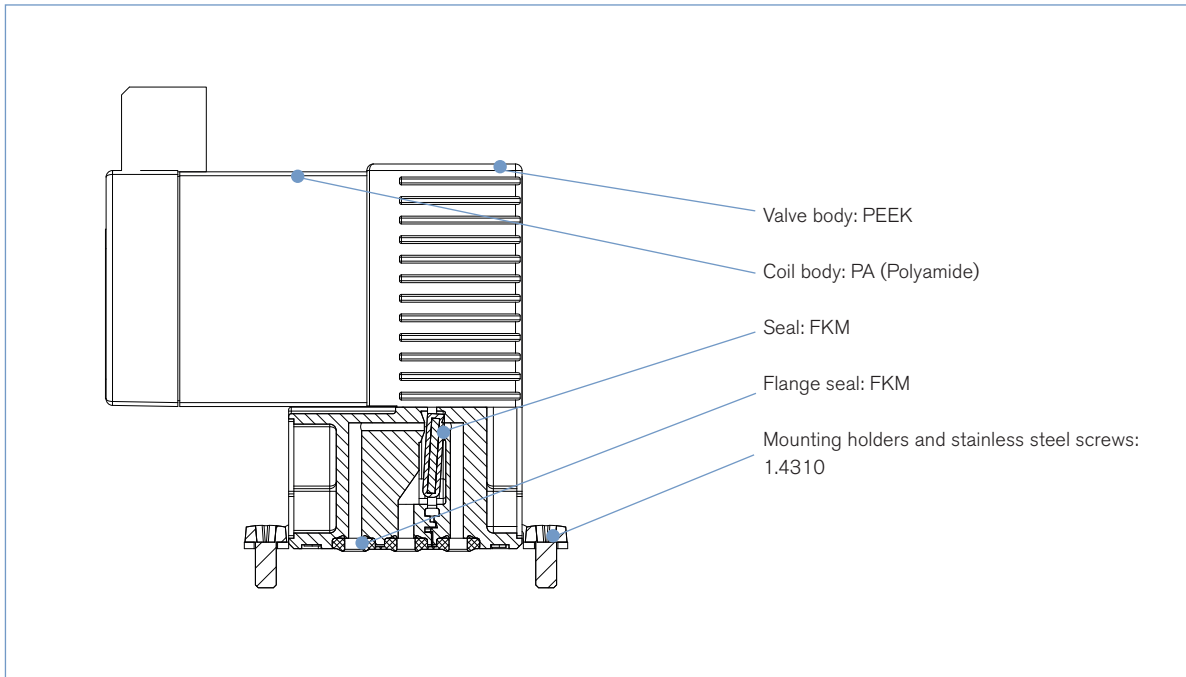


3/2-way valve,  
universal function

Technical data	
<b>Orifice</b>	DN 0.6 mm
<b>Body material</b>	PEEK
<b>Seal material</b>	FKM
<b>Medium</b>	Resistant to neutral and slightly aggressive liquids and gases; see Bürkert chemical resistance chart
<b>Medium temperature</b>	0 to +50 °C
<b>Ambient temperature</b>	Max. +55 °C
<b>Viscosity</b>	Max. 21 mm <sup>2</sup> /s
<b>Internal volume</b>	
Fluid chamber	Approx. 15µl
3/2-way versions	Approx. 45µl
2/2-way versions	Approx. 35µl
<b>Port connection</b>	Flange UNF 1/4" - 28, Tube spigot sideways
<b>Manual override</b>	Push manual override, non-locking
<b>Operating voltage</b>	6, 12, 24 V/DC *
<b>Voltage tolerance</b>	±10%
<b>Power consumption</b>	1.5 W
<b>Duty cycle</b>	100% continuous rating
<b>Manifold mounting</b> (in case Media- or ambient temperature higher +40 °C)	40% intermittent rating (within 10 min)
<b>Cycling function</b>	Monostable or bistable (option)
<b>Electrical connections</b>	Rectangular plug or 2 single flying leads, 300 mm
<b>Protection class</b>	IP 40
<b>Mounting</b> (sub-base valve)	with holders and mounting screw
<b>Installation</b>	As required, preferably with flange downwards

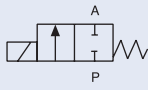
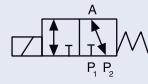
\* 10% residual ripple permissible

## Materials



### Ordering chart with flange connection (other versions on request)

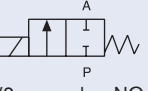
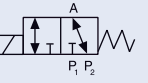
All valves with PEEK body and FKM seal, rectangular plug types delivered without plug (see Accessories).  
The delivery of each valve includes 2 holders with cross head M 1.6 x 5 screws.

Circuit function	Orifice [mm]	Kv value water [m <sup>3</sup> /h]	Kv value II water [l/min]	QnN value air [l/min]	Pressure range [bar]	Cycling function	Voltage/Frequency [V/Hz]	Electrical connection	Item no.					
<b>A</b>  2/2-way valve, NC	0.6	0.006	0.1	6.4	Vac - 3	monostable	12/DC	Rectangular plug 5.08 mm	144 120					
								Flying leads, 300 mm	144 122					
							24/DC	Rectangular plug 5.08 mm	144 121					
													Flying leads, 300 mm	144 123
						bistable (impuls drive)	6/DC	Flying leads, 300 mm	146 175					
							12/DC	Rectangular plug 5.08 mm	143 376					
Flying leads, 300 mm	146 176													
<b>T</b>  3/2-way valve, universal function	0.6	0.006	0.1	6.4	Vac - 3	monostable	12/DC	Rectangular plug 5.08 mm	140 457					
								Flying leads, 300 mm	140 459					
							24/DC	Rectangular plug 5.08 mm	140 458					
													Flying leads, 300 mm	140 460
						bistable (impuls drive)	12/DC	Rectangular plug 5.08 mm	142 089					
								Flying leads, 300 mm	143 171					

### Ordering chart with tube spigots sideways (other versions on request)

Wetted materials PEEK (valve body)+ PA (tube spigot housing) and FKM.

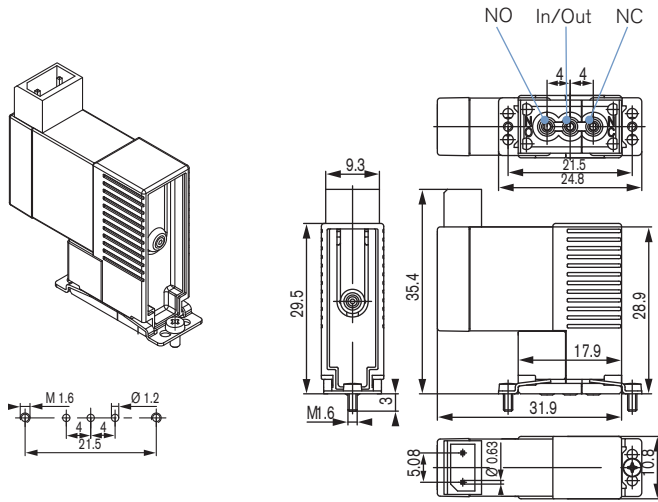
All valves with rectangular plug types delivered without plug (see Accessories)

Circuit function	Orifice [mm]	Kv value water [m <sup>3</sup> /h]	Kv value II water [l/min]	QnN value air [l/min]	Pressure range [bar]	Cycling function	Voltage/Frequency [V/Hz]	Electrical connection	Item no. tube spigots sideways
<b>A</b>  2/2-way valve, NC	0.6	0.006	0.1	6.4	Vac - 3	monostable	12/DC	Rectangular plug 5.08mm	145 646
								Flying leads 300mm	145 648
							24/DC	Rectangular plug 5.08mm	145 647
								Flying leads 300mm	145 649
<b>T</b>  3/2-way valve, universal function	0.6	0.006	0.1	6.4	Vac - 3	monostable	12/DC	Rectangular plug 5.08mm	145 641
								Flying leads 300mm	145 640
							24/DC	Rectangular plug 5.08mm	145 642
								Flying leads 300mm	145 643

#### Versions on request:

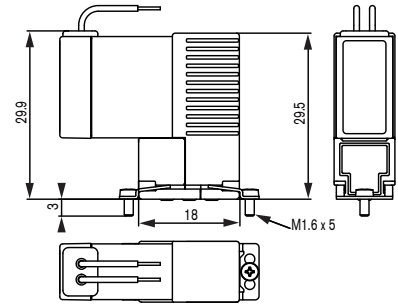
- orifice 0,8 mm
- UNF 1/4"-28 port connections (PEEK)

Dimensions [mm] Valves with tube spigots sideways

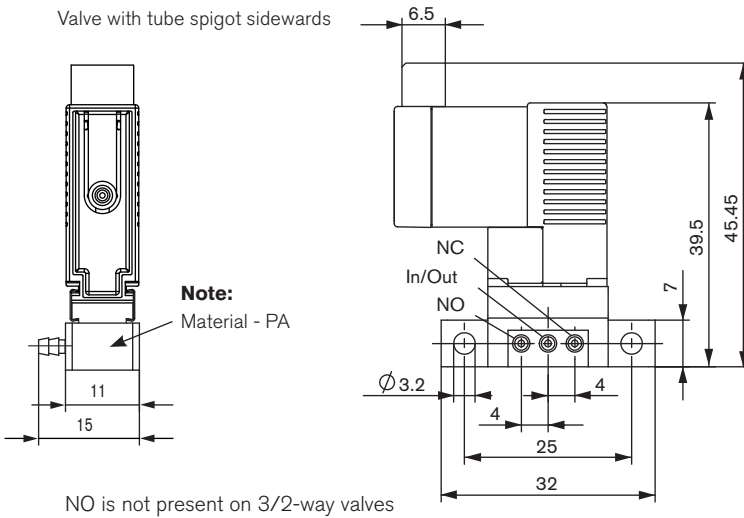


Mounting face for manifold

Valve with rectangular plug and holders



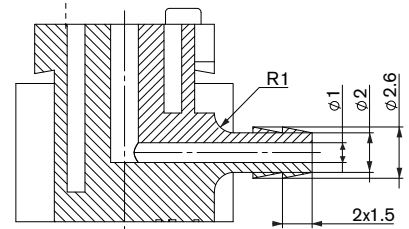
Valve with flying leads and holders



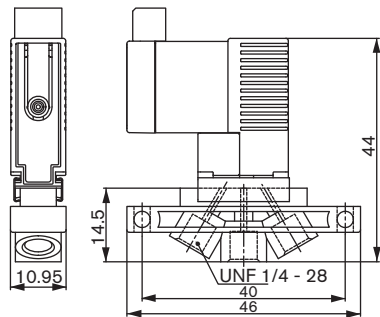
Valve with tube spigot sideways

**Note:**  
Material - PA

NO is not present on 3/2-way valves



Tube spigot dimensions



UNF Version - on request

## Ordering chart accessories

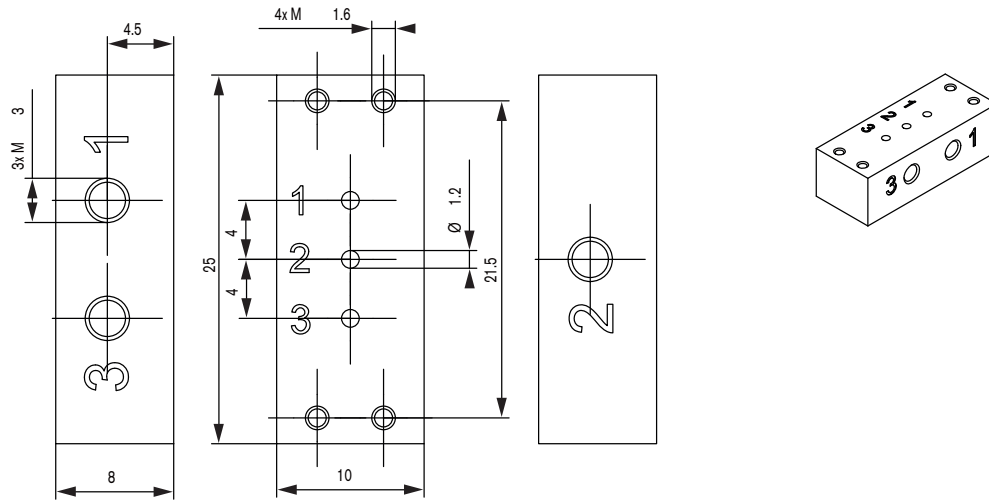
Accessories	Feature	Item no.
Rectangular cable plug	with 3m cable	133 486
	with 300mm flying leads	644 068
	with 2 single contacts	644 067
Single manifold in stainless steel	with 3x M3 connection Version with mounted manifold possible on request	644 684
Single manifold in PEEK	with 3x UNF 1/4"-28 with holders and screws, version with mounted manifold on request	on request
Multi-station manifolds in PEEK	2 valves	659 285
	3 valves	659 286
	4 valves	659 287
	5 valves	653 131
	6 valves	659 288
	8 valves	659 290

**Other accessories on request:**

- Customised manifolds
- Fittings and tubes (see also type 1013 AA05)
- Rectangular cable plug, grid spacing 5.08 mm, for plate mounting

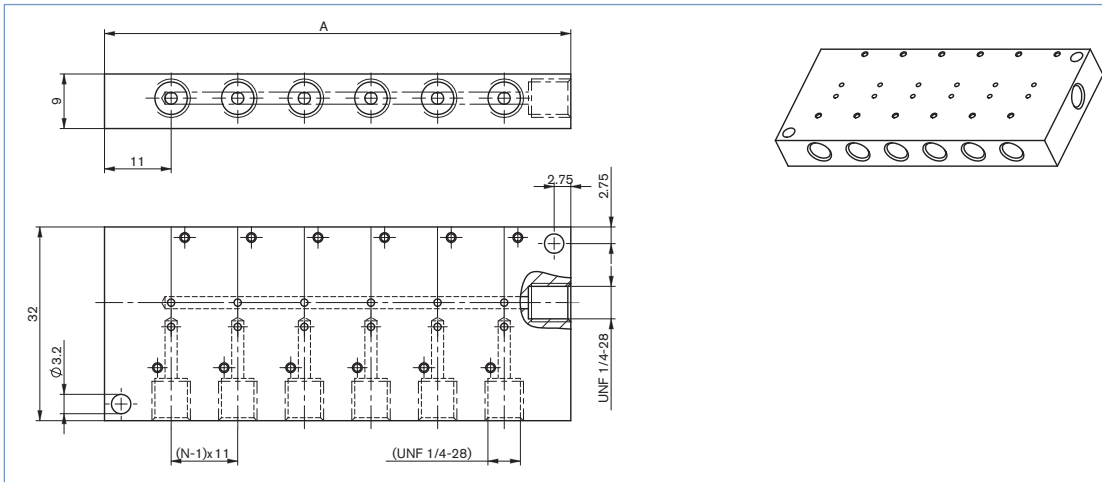
Manifolds [mm]

Single manifold M3, stainless steel



Item no.	644 684
----------	---------

Multi-station manifolds PEEK [mm]



Numer of valve positions	2	3	4	5	6	8
Dimensions A [mm]	33	44	55	66	77	99

In case of special application conditions,  
please consult for advice.

Subject to alterations  
© Christian Bürkert GmbH & Co. KG

0413/7\_EU-en\_00891745