

## 2/2 or 3/2 way Rocker-Solenoid Valve with separating diaphragm



Type 6126 can be combined with...



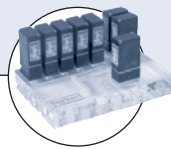
**Type 2506**

Cable plug Form C



**Type 2505**

Rectangular cable plug



**Manifolds**

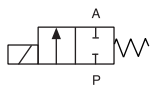
- Valve with isolating diaphragm
- Compact design with 16 mm width and Cv ratings up to 0.058
- Flexible design for custom manifold assemblies
- High back pressure tightness, excellent cleanability and 100 % duty cycle
- Normally closed, normally open and universal function

The direct-acting rocker solenoid valve, Type 6126, is suitable for general applications in which compressed air, gases or slightly contaminated liquids are to be switched.

The medium is in contact exclusively with the housing material and the FKM seals. The heat input in the medium is minimal, because the housing is separated from the coil by a stainless steel plate.

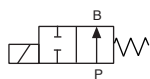
The valves can be mounted directly or also single or manifold mounted. They are used for dosing, filling, mixing and distributing small quantities of medium.

### Circuit function A



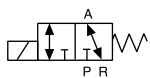
2/2-way valve,  
direct-acting,  
normally closed

### Circuit function B



2/2-way valve,  
direct-acting,  
normally open

### Circuit function T



3/2-way valve,  
direct-acting,  
universal functions

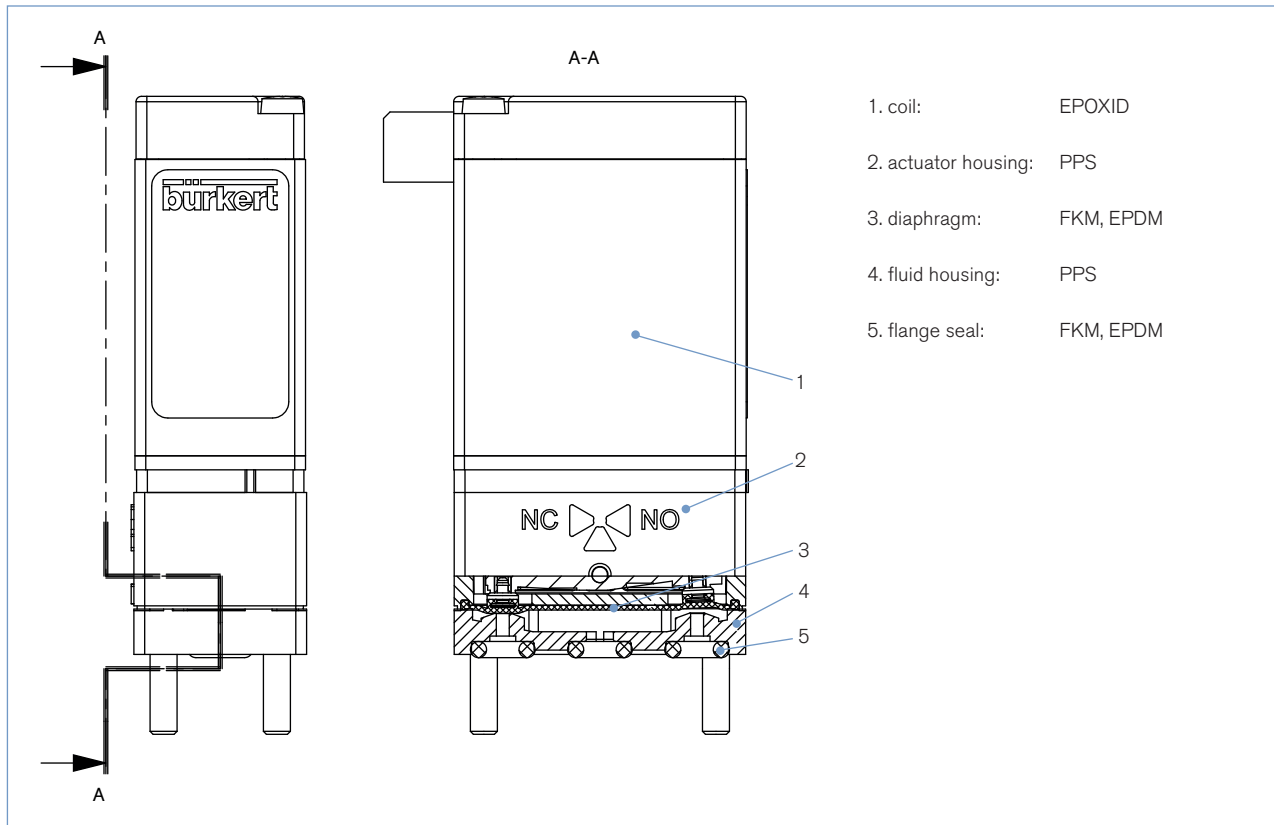
| Technical data  |   |
|---|---|
| <b>Orifice [mm]</b>                                   | DN 0.8 - 1.6 (for details see ordering chart)   |
| <b>Body material</b>                                  | PPS   |
| <b>Seal material</b>                                  | FKM, EPDM   |
| <b>Medium</b>   | Resistant to neutral liquids and gases (see Bürkert chemical resistance chart)  |
| <b>Media temperature</b>                              | -10 to 55 °C <sup>1)</sup>  |
| <b>Ambient temperature</b>                            | max. 55 °C  |
| <b>Viscosity</b>                                      | max. 21 mm <sup>2</sup> /S  |
| <b>Internal volume</b><br>with sub-base<br>on request | starting at 44 µl<br>< 10 µl <sup>2)</sup>  |
| <b>Port connection</b>                                | Bürkert sub-base (16 x 27 mm)   |
| <b>Electrical connection</b>                          | Cable plug Type 2505<br>Tag connector acc. DIN 43650 C for Cable plug Type 2506 above<br>2 FEP-Flying leads, AWG24, length 500 mm <sup>3)</sup>                                 |
| <b>Operating voltage</b>                              | 12 and 24 V/DC; other Voltages on request   |
| <b>Voltage tolerance</b>                              | ± 10 %  |
| <b>Power consumption</b>                              | 3.4 W   |
| <b>Duty cycle</b>                                     | continuous rating 100 % ED  |
| <b>Installation</b>                                   | as required, preferably with actuator upright   |
| <b>Protection class</b>                               | IP 65 with flying leads or cable plug<br>IP 40 with Rectangular plug  |
| <b>Response times</b>                                 | acc. ISO 12238:2001; Measured at valve outlet at 2 bar and +20 °C<br>Opening<br>approx 25 ms (Pressure range 0 to 10 %)<br>Closing<br>approx 25 ms (Pressure range 100 to 90 %) |

<sup>1)</sup> Temperature may vary depending on orifice and seal material. For further information see on page 2.

<sup>2)</sup> The internal volume can vary depending on the housing. For further information see on page 2.

<sup>3)</sup> Other electric connectors and other cable lengths upon request.

## Materials



## Detailed medium temperature (depending on material and orifice)

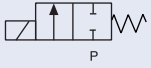
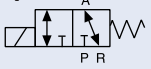
|   | Orifice                    | Seal material | Temperature range |
|---|----------------------------|---------------|-------------------|
| media temperature   | DN 0.8                     | FKM           | 0 to +50 °C       |
|   | DN 0.8                     | EPDM          | -5 to +50 °C      |
|   | DN 1.2 & 1.6               | FKM           | +5 to +50 °C      |
|   | DN 1.2 & 1.6               | EPDM          | 0 to +50 °C       |
| media temperature with limitation on switching time and life expectancy | DN 0.8                     | FKM           | -5 to +55 °C      |
|   | DN 0.8                     | EPDM          | -10 to +50 °C     |
|   | DN 1.2 & 1.6 <sup>1)</sup> | FKM           | 0 to +55 °C       |
|   | DN 1.2 & 1.6               | EPDM          | -5 to +50 °C      |

<sup>1)</sup> upon request up to -15 °C available.

## Detailed internal volume (depending on fluid housing)

| Body     | 2-way low dead volume |       | 2-way         |        | 3-way         |        |
|----------|-----------------------|-------|---------------|--------|---------------|--------|
|          | fluid chamber         | total | fluid chamber | total  | fluid chamber | total  |
| sub-base | 44 µl                 | 54 µl | 97 µl         | 106 µl | 90 µl         | 106 µl |

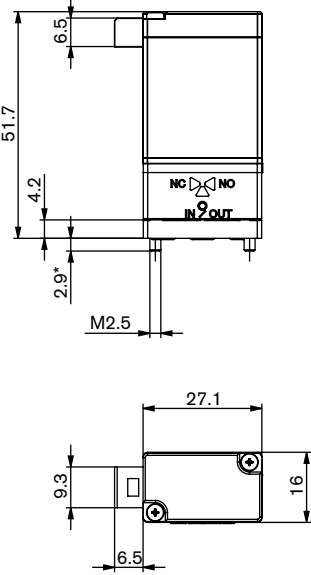
Ordering chart for Typ 6126

| Circuit function   | Orifice [mm] | Port connection | Kv value water [m <sup>3</sup> /h] | Cv value water [gal/min] | Q <sub>90%</sub> value air [l/min] | Pressure range [bar] | Seal material | Fluid housing material | Electrical connection | Voltage/frequency [V/Hz] | Item no. |
|--|--------------|-----------------|------------------------------------|--------------------------|------------------------------------|----------------------|---------------|------------------------|-----------------------|--------------------------|----------|
| <b>A</b><br><br>2/2-way valve, direct-acting, normally closed     | 0.8          | sub-base        | 0.015                              | 0.017                    | 16                                 | Vak 0-6              | FKM           | PPS                    | Tag connector to side | 012/DC                   | 139 151  |
|  |              |                 |                                    |                          |                                    |                      |               |                        |                       | 024/DC                   | 139 088  |
|  |              |                 |                                    |                          |                                    |                      |               |                        | Rectangular plug      | 024/DC                   | 139 236  |
|  |              |                 |                                    |                          |                                    |                      |               |                        | Tag connector to side | 012/DC                   | 139 154  |
|  |              |                 |                                    |                          |                                    |                      | EPDM          |                        | 024/DC                | 139 155                  |          |
| <b>T</b><br><br>3/2-way valve, direct acting, universal functions | 0.8          | sub-base        | 0.015                              | 0.017                    | 16                                 | Vak 0-6              | FKM           | PPS                    | Tag connector to side | 012/DC                   | 139 158  |
|  |              |                 |                                    |                          |                                    |                      |               |                        |                       | 024/DC                   | 139 159  |
|  |              |                 |                                    |                          |                                    |                      |               |                        | Rectangular plug      | 024/DC                   | 139 237  |
|  |              |                 |                                    |                          |                                    |                      |               |                        | Tag connector to side | 012/DC                   | 139 162  |
|  |              |                 |                                    |                          |                                    |                      | EPDM          |                        | 024/DC                | 139 163                  |          |

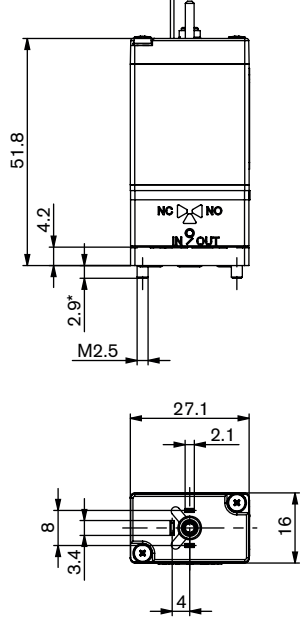
**i** Other versions on request

Dimensions [mm]

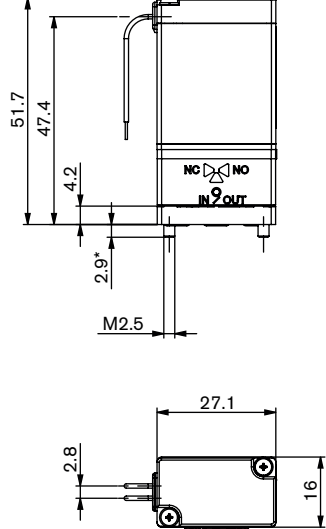
Manifold mount version with rectangular plug



Manifold mount version for cable plug



Manifold mount version with flying leads



**Classification of fluid connections**

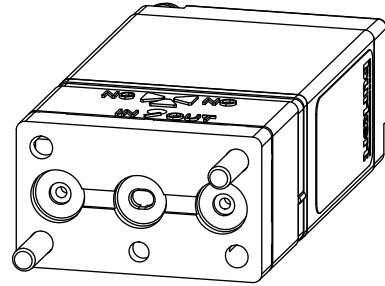
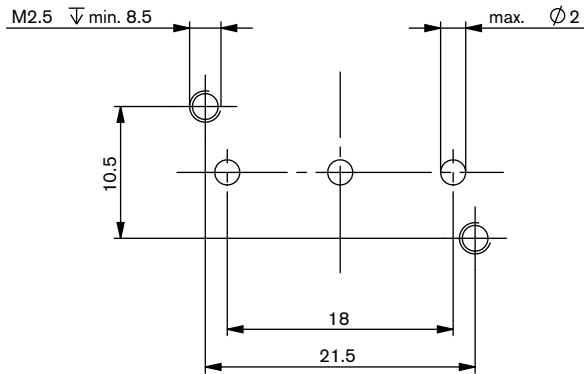
- 2/2-way-valve, normally closed (circuit function A)  
inflow at "NC"-connector
- 2/2-way-valve, normally closed (circuit function B)  
inflow at "NO"-connector
- 3/2-way-valve, normally open (circuit function T)  
inflow at "NO"-connector

Flange interfaces at page 4.

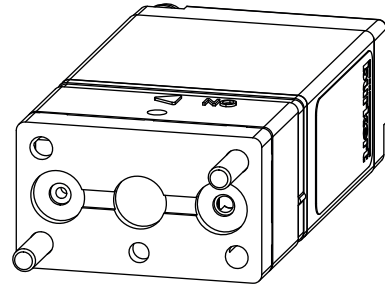
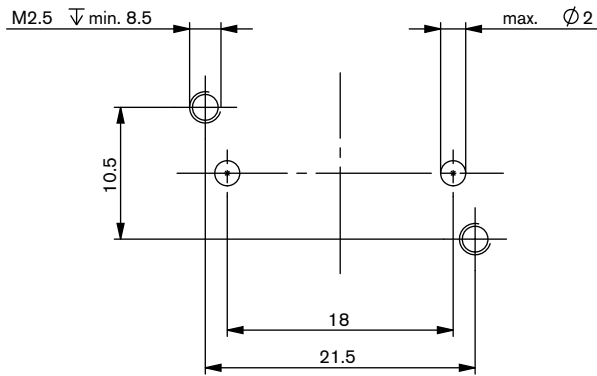
\* Other screw length on request.  
Self-tapping screws on request.  
When selecting a connection plate the screw head overlap has to be considered.

Overview flange interfaces 16 x 27 mm

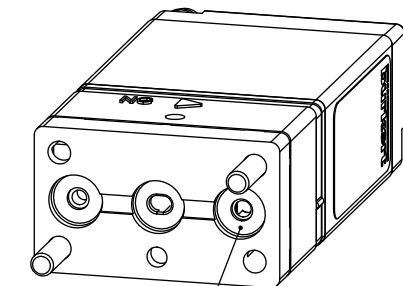
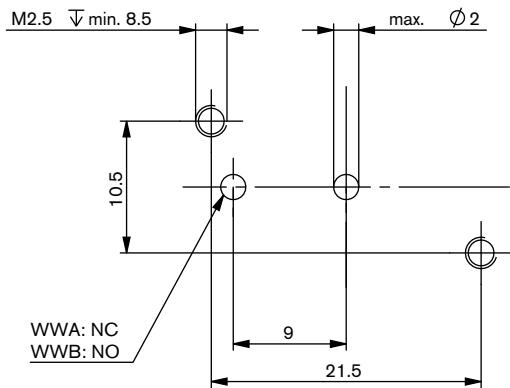
**bürkert flange interface FB23 - 3-way (standard)**



**bürkert flange interface FB43 - 2-way (standard)**



**bürkert flange interface FB33 - 2-way (low dead volume). not in ordering chart - on request**




hole not in use



**i** On request available with anti-twist device

## Ordering chart for Accessories

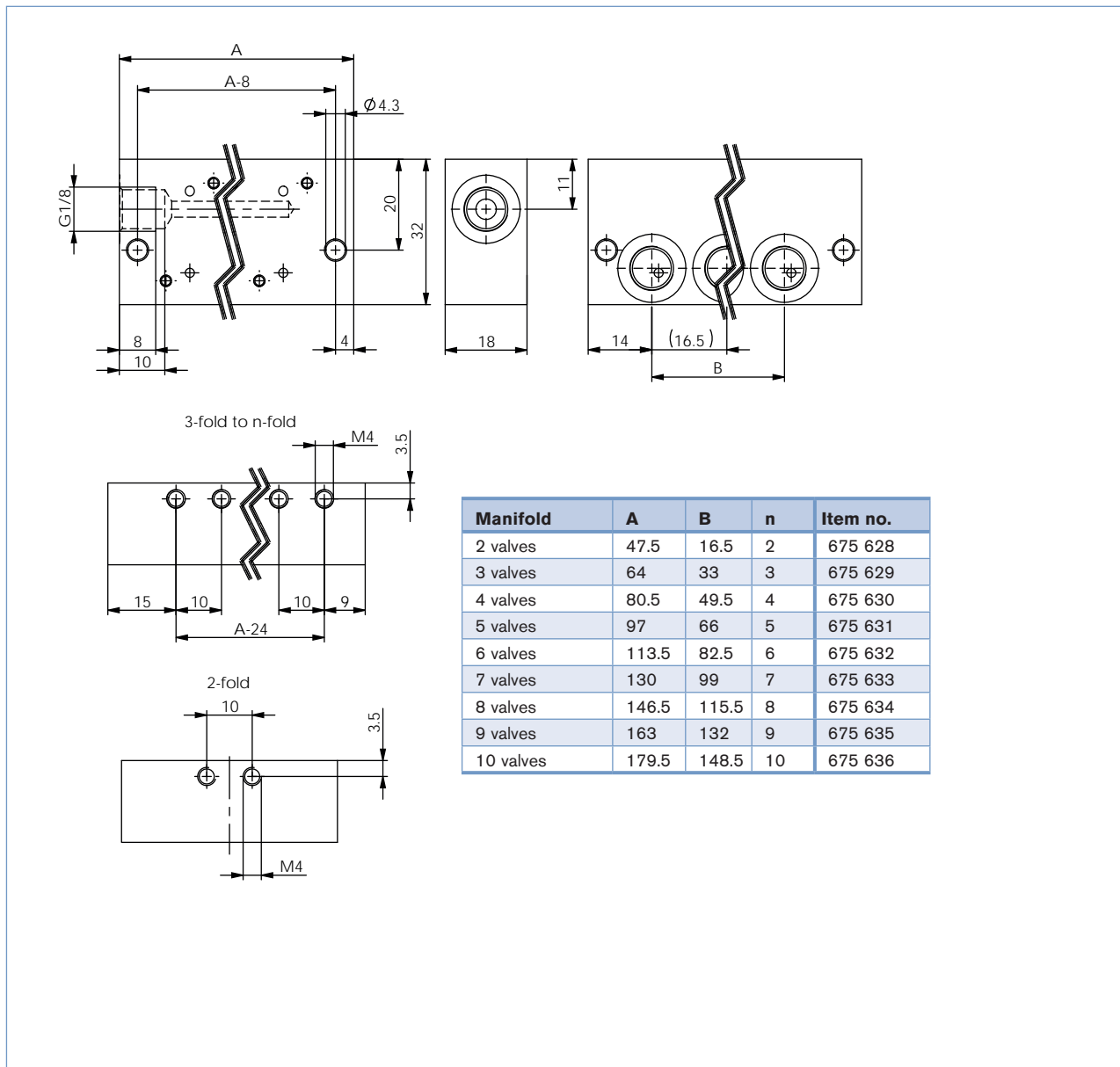
Cable plug type 2506 acc. DIN EN 175301-803 Form C, with flat seal and fixing screw, without cable.

|  | Cable plug Type 2506             |           | Item no. |
|---|----------------------------------|-----------|----------|
|   | without circuit                  | 0-250V/UC | 008 353  |
|   | with LED                         | 12-24V/DC | 008 402  |
|   | with LED and varistor            | 12-24V/DC | 008 408  |
|   | with rectifier, LED and varistor | 12-24V/UC | 008 354  |

| Rectangular plug type 2505  |                  | Item no. |
|---|------------------|----------|
|  | with 3m cable    | 252 572  |
|  | with 300mm leads | 262 346  |

## Manifolds in PPS for Bürkert flange interface 16 x 27 2-way [mm]



Manifolds in aluminium for Bürkert flange interface 16 x 27 3-way [mm]

| Manifold  | A   | B   | n  | Item no. |
|-----------|-----|-----|----|----------|
| 2 valves  | 63  | 18  | 2  | 658 695  |
| 3 valves  | 81  | 36  | 3  | 658 696  |
| 4 valves  | 99  | 54  | 4  | 658 697  |
| 5 valves  | 117 | 72  | 5  | 658 698  |
| 6 valves  | 135 | 90  | 6  | 658 699  |
| 8 valves  | 171 | 126 | 8  | 658 700  |
| 10 valves | 207 | 162 | 10 | 658 701  |
| 12 valves | 243 | 198 | 12 | 658 703  |

Single manifolds in aluminium for Bürkert flange interface 16 x 27 [mm]

Manifold made from aluminium, black anodized,  
Port connection M5

**Item no.**  
623 873

Manifold made from aluminium, black anodized,  
Port connection G 1/8

**Item no.**  
634 917

**i** Caution: Pay attention to the coil fixing screw lenght to avoid overrun

In case of special application conditions,  
please consult for advice.

Subject to alteration.  
© Christian Bürkert GmbH & Co. KG

1509/3\_EU-en\_00891746