



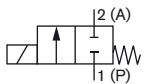
2/2 and 3/2 way Rocker Solenoid Valve for analytical applications

- 16 mm width
- Orifice DN2.0 - DN3.0
with pressure range vacuum to 5 bar
- Medium separation, for aggressive fluids
- High back-pressure tightness
- Direct acting

Type 6626 combines the reliable and successful Rocker principle with a highly innovative new actuator. The TwinPower concept of this actuator reduces the size greatly without loss in performance. Hence the 16 mm wide medium isolated rocker valve, 6626, with a 3.0 mm orifice and a pressure resistance of 2 bar, provides the same performance as a traditional 22 mm valve. In addition, the integrated power reduction decreases the energy consumption by 75%. In combination with other design features the heat transfer into the medium can be reduced to a minimum.

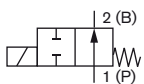
In the design of the 6626, the main benefits lie in its excellent cleanability and a high reliability. By using high performance materials the 6626 suits the handling of aggressive medium perfectly. The valve is available in a 2-way and 3-way version.

Circuit function A



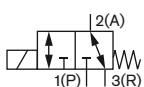
2/2 way direct-acting solenoid valve, normally closed

Circuit function B



2/2 way direct-acting solenoid valve, normally open

Circuit function T



3/2 way direct-acting solenoid valve, flow direction optional

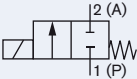
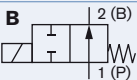
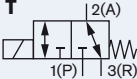
| Technical Data | |
|------------------------------------|---|
| Orifice | DN2.0 mm, DN3.0 mm |
| Body material | PEEK, PPS |
| Seal material | FFKM, FKM, EPDM |
| Medium | Resistant to neutral and aggressive gases and liquids acc. to our chemical resistance chart |
| Medium temperature | |
| FFKM | + 15 °C to + 50 °C |
| FKM | - 10 °C to + 50 °C |
| EPDM DN2.0 | - 10 °C to + 50 °C |
| EPDM DN3.0 | + 5 °C to + 50 °C |
| Ambient temperature | |
| FFKM | + 15 °C to + 55 °C |
| FKM | - 10 °C to + 55 °C |
| EPDM DN2.0 | - 10 °C to + 55 °C |
| FFKM DN3.0 | + 5 °C to + 55 °C |
| Internal volume | < 470 µl |
| Port connection | Sub-base, UNF, G 1/8, Tube |
| Electrical connection | Flying leads, Rectangular plug |
| Power supply | 24 V ¹⁾ , 12 V ¹⁾ |
| Voltage tolerance | 24 V ± 10% ²⁾ 12 V + 10% / - 5% ²⁾ |
| Nominal power consumption | 13.6 W inrush power 3.4 W nominal holding power (internal power reduction) |
| Duty cycle | 100% continuous rating |
| Installation | As required |
| Protection class | IP40 |
| Switching frequency | max. 2 Hz ³⁾ |
| Response times³⁾ | |
| opening | ca. 10 ms (Pressure rise 0-10%) |
| closing | ca. 15 ms (Pressure drop 100-90%) |

¹⁾ Battery voltage, observe polarity (red= +, black = -)

²⁾ Max. allowed ripple

³⁾ with ambient temperature of 20 °C

Ordering chart

| Circuit function | Orifice [mm] | Port connection | K _v value water [m ³ /h] ¹⁾ | Pressure range [bar] ²⁾ | Max. pressure difference [bar] | Seal material | Body material | Electrical connection | Voltage/Frequency [V/Hz] | Article no. | | | |
|--|--|-----------------|--|------------------------------------|--------------------------------|----------------------|--------------------------------|--------------------------------|--------------------------------|--------------------------------|--------------|--------------------------------|--------|
| A  2/2 way direct-acting solenoid valve, normally closed | 2.0 | Sub-base | 0.10 | vac - 3 (vac - 5) | 3 (5) | EPDM | PPS | Rectangular Plug ³⁾ | 12 | 247769 | | | |
| | | | | | | | | | | 24 | 247771 | | |
| | | | | | | | vac - 3 (vac - 3) | 3 (3) | FFKM | PEEK | 12 | 247775 | |
| | | UNF | | | | vac - 3 (vac - 4) | 3 (4) | FKM | PPS | Flying Leads | | 247786 | |
| | | | | | | vac - 3 (vac - 3) | 3 (3) | FFKM | PEEK | | 24 | 251709 | |
| | | | | | | vac - 3 (vac - 4) | 3 (4) | FKM | | | | Rectangular Plug ³⁾ | 252770 |
| | G 1/8 | | | vac - 3 (vac - 3) | 3 (3) | FFKM | | Flying Leads | | 234278 | | | |
| | 3.0 | Sub-base | 0.19 | | | | EPDM | PPS | Rectangular Plug ³⁾ | 24 | 247797 | | |
| | | | | | | | FFKM | PEEK | | | 238530 | | |
| | | | | | | | | | FKM | PPS | 12 | 247816 | |
| | | UNF | | | | vac - 2 (vac - 2) | 2 (2) | FFKM | PEEK | Flying Leads | | 247819 | |
| | | | | | | | | FKM | | | 251711 | | |
| | | | | | | | FKM | 252771 | | | | | |
| Tube | | | | | EPDM | PEEK | Rectangular Plug ³⁾ | 24 | 252772 | | | | |
| | | | | | FFKM | | | | 247789 | | | | |
| | | | | | FKM | | | | Flying Leads | 228642 | | | |
| | | | | | | | Rectangular Plug ³⁾ | | 247810 | | | | |
| B  2/2 way direct-acting solenoid valve, normally open | 2.0 | Sub-base | 0.10 | vac - 3 (vac - 3) | 3 (3) | FFKM | PEEK | Flying Leads | 24 | 252773 | | | |
| | 3.0 | | | | | | | | | vac - 2 (vac - 2) | 2 (2) | Rectangular Plug ³⁾ | 245910 |
| | T  3/2 way direct-acting solenoid valve, flow direction optional | 2.0 | Sub-base | 0.10 | vac - 3 (vac - 5) | 3 (5) | EPDM | PPS | Rectangular Plug ³⁾ | 24 | 247826 | | |
| | | | | | | | | | | FFKM | PEEK | Flying Leads | 12 |
| | | | | | | vac - 3 (vac - 3) | 3 (3) | FKM | PPS | Rectangular Plug ³⁾ | 24 | 247841 | |
| | | | | | | vac - 3 (vac - 4) | 3 (4) | FFKM | | | 12 | 247838 | |
| UNF | | | | | | | | FFKM | PEEK | Flying Leads | 24 | 251713 | |
| | | | | | | | | FKM | | | | 252774 | |
| | | | | | | | | | | | | Rectangular Plug ³⁾ | 252775 |
| | | | | | | | | | | | | | 12 |
| 3.0 | Sub-base | 0.19 | | | | EPDM | PPS | Rectangular Plug ³⁾ | 12 | 247853 | | | |
| | | | | | | FFKM | PEEK | Flying Leads | | 24 | 234371 | | |
| | | | | | | | | FKM | PPS | Rectangular Plug ³⁾ | 12 | 238531 | |
| | UNF | | | | vac - 2 (vac - 2) | 2 (2) | EPDM | PEEK | Rectangular Plug ³⁾ | 24 | 247874 | | |
| | | | | | | | FFKM | | | | Flying Leads | 247877 | |
| | | | | | | | FKM | | | | 251715 | | |
| | G 1/8 | | | | | | EPDM | PEEK | Rectangular Plug ³⁾ | 24 | 247872 | | |
| | | | | | | | FFKM | | | | 247844 | | |
| Tube | | | | | EPDM | PEEK | Rectangular Plug ³⁾ | 24 | 247859 | | | | |
| | | | | | FFKM | | | | Flying Leads | 247858 | | | |
| | | | | | | | | | FKM | Flying Leads | 247869 | | |

¹⁾ Measured at +20 °C, 1 bar pressure at value inlet and free outlet.





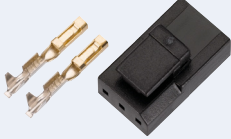

²⁾ Measured as overpressure with respect to atmospheric pressure.

³⁾ Please order the rectangular plug separately. For selection possibilities see accessories.

Note: () Values in brackets are only for gas mediums.

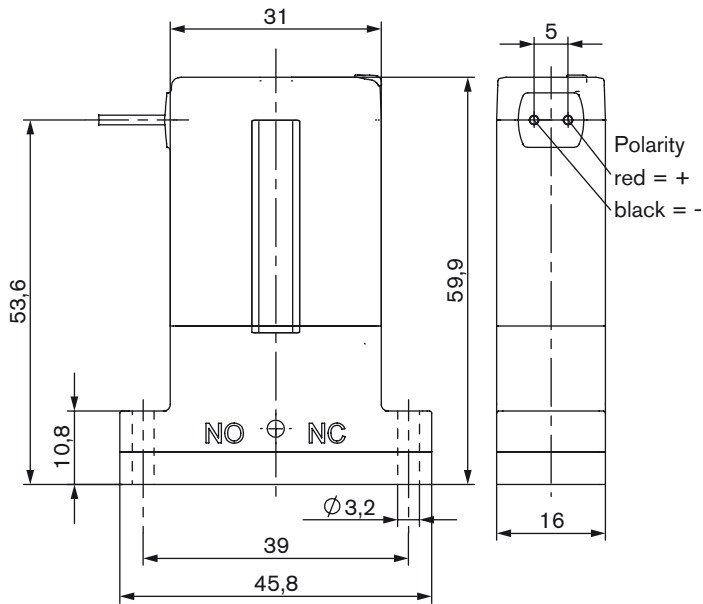
Ordering chart accessories

Rectangular plug Type 2505

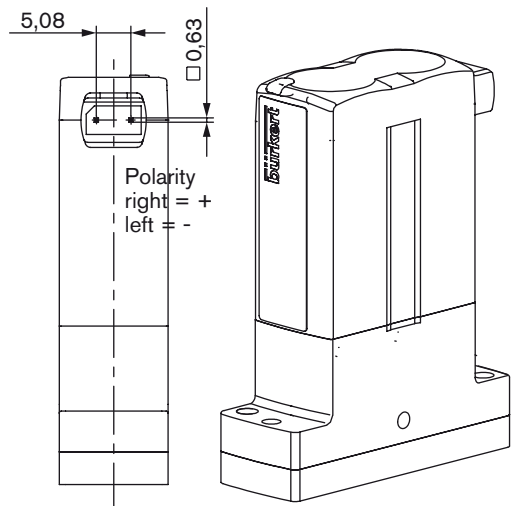
| | Accessories | Article no. |
|---|--|--|
|  | Rectangular plug with 3 m cable | 133486  |
|  | Rectangular plug with 300 mm flying leads | 644068  |
|  | Rectangular plug, single contact for individual mounting | 644067  |

Dimensions [mm]

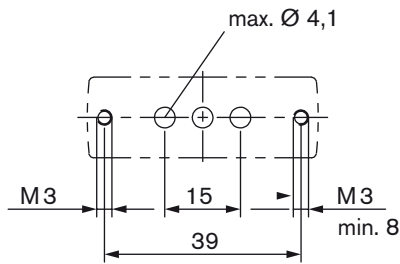
Electrical connections: flying leads



Electrical connections: rectangular plug

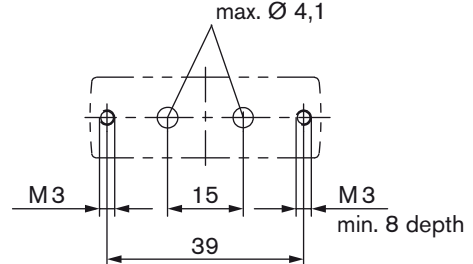


Sub-base body for 3/2 way connection

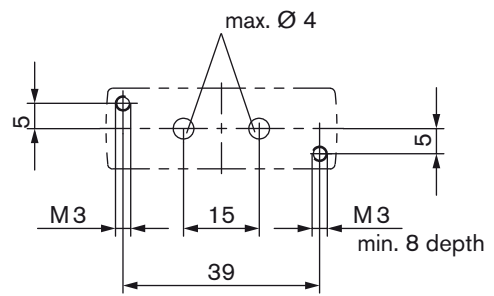
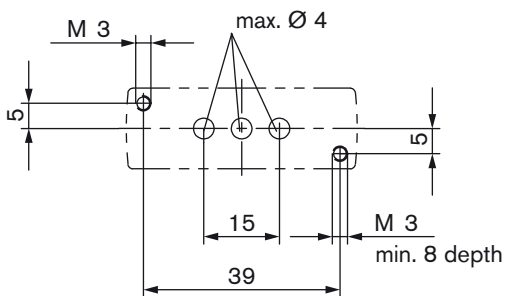


preferred threaded connection

Sub-base body for 2/2 way connection

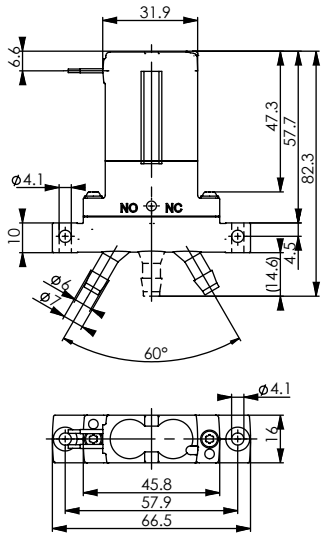


further possible threaded connection

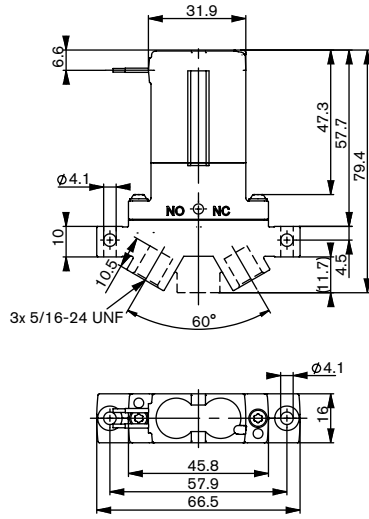


Dimensions [mm]

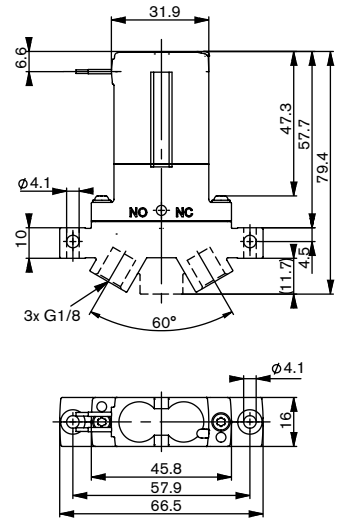
Body, tube connector



Body, UNF 5/16" -24



Body, G1/8



Application examples

Tube 2-way



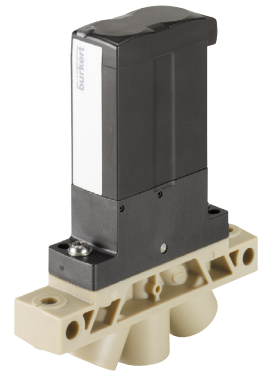
UNF 2-way



Tube 3-way



UNF 3-way



In case of special application conditions, please consult for advice.

Subject to alterations
© Christian Bürkert GmbH & Co. KG

1802/4_EU-en_00895195