



2/2 or 3/2 way TwinPower Rocker-Solenoid Valve with separating diaphragm

- 22 mm ultra compact design with orifices up to DN 3.0
- Isolating diaphragm for high chemical resistance
- Circuit function NC, NO and 3 way universal
- Back pressure tightness via rocker principle
- Minimal internal volume with excellent cleanability



Product variants described in the data sheet may differ from the product presentation and description.

Type description

Direct acting medium separated 2/2 and 3/2 way Rocker Solenoid Valve for control of aggressive fluids and gases in analytical medical applications, the food industry, and also the chemical industry for dosing, filling, mixing and distribution.

The medium is in contact with fluid housing and seal material solely through the isolating diaphragm. This valve with the new TwinPoweractuator, robust screw-in connection and 22 mm installation width, will fulfil the highest requirements. The established rocker solenoid technology is characterized through full back pressure tightness, good rinsing capability and low internal volume. Type 6628 is available in different technical versions and by virtue of several body options, it offers a perfect adaption in fluid applications.

Table of contents


1. General technical data	3
2. Product versions	4
3. Circuit functions	4
4. Materials	5
4.1. Chemical Resistance Chart – Bürkert resistApp.....	5
4.2. Material specifications	5
5. Dimensions	6
5.1. Threaded port version with rectangular plug.....	6
5.2. Flange version for cable plug.....	6
5.3. Barbed hose connector with flying leads	6
5.4. Push-in connector.....	7
5.5. Manifold	7
Flange interface for manifold	7
6. Ordering information	8
6.1. Bürkert eShop – Easy ordering and quick delivery.....	8
6.2. Bürkert product filter	8
6.3. Ordering chart.....	8
6.4. Ordering chart accessories.....	10
Rectangular cable plug Type 2505	10
Cable plug Type 2507 acc. to Industrial standard Form B	10
Multiple Manifolds.....	11

1. General technical data

Product properties	
Materials	
Body	PEEK, PPS or PVDF (PP on request)
Seal	FFKM, FKM or EPDM
Internal volume	approx. 200 µl
Orifice	DN2.0 or DN3.0
Manual override	on request
Electrical data	
Power consumption	5 W
Power supply	12 V DC, 24 V DC Other voltages on request
Voltage tolerance	± 10 %
Performance data	
Duty cycle	100 % continuous operation
Response times ^{1.)}	Opening: 25 ms (pressure build-up 0...10 %) Closing: 25 ms (pressure build-up 100...90 %)
Circuit function	A, B and T
Medium data	
Medium	Resistant to neutral and aggressive gases and liquids (see "4.1. Chemical Resistance Chart – Bürkert resistApp" on page 5)
Medium temperature	FKM: 0 °C...+55 °C FFKM: +10 °C...+55 °C EPDM: -10 °C...+55 °C
Viscosity	Max. approx. 21 mm ² /s
Approvals and Certificates	
Protection class	IP54 (IP30 with rectangular plug Type 2505)
Product connections	
Port connection	Bürkert-Flange (22 x 35 mm) G 1/8 NPT 1/8 Hose connector 4 mm (5/32") Push-in connector (tube's external diameter 6 mm)
Electrical connection	PFA single flying leads, 0.5 mm ² , 500 mm Rectangular plug for cable plug Type 2505 Cable plug Type 2507 ▶ according to industrial standard DIN 43650 Form B on request Circular connector M8 on request
Environment and installation	
Installation	As required, preferably with actuator upright
Ambient temperature	FKM: 0 °C...+55 °C FFKM: +10 °C...+55 °C EPDM: -10 °C...+55 °C

1.) Measurement at valve output with 2 bar and 20 °C acc. to DIN ISO 12238:2001

2. Product versions

<p>Flying leads valve with push-in connector</p> 	<p>Flying leads valve with threaded body</p> 
<p>Rectangular plug with hose connector</p> 	<p>Rectangular plug with manual override and flange</p> 

3. Circuit functions

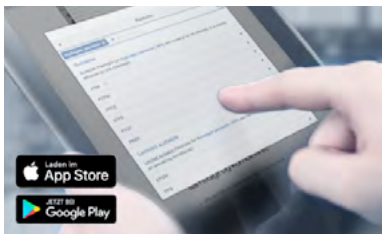
Note:

Other circuit functions on request.

Circuit functions	Description
	<p>Type: A, solenoid valve 2/2 way Direct-acting Normally closed</p>
	<p>Type: B, solenoid valve 2/2 way Direct-acting Normally open</p>
	<p>Type: T, solenoid valve 3/2 way Direct-acting Flow direction optional Normally closed</p>

4. Materials

4.1. Chemical Resistance Chart – Bürkert resistApp

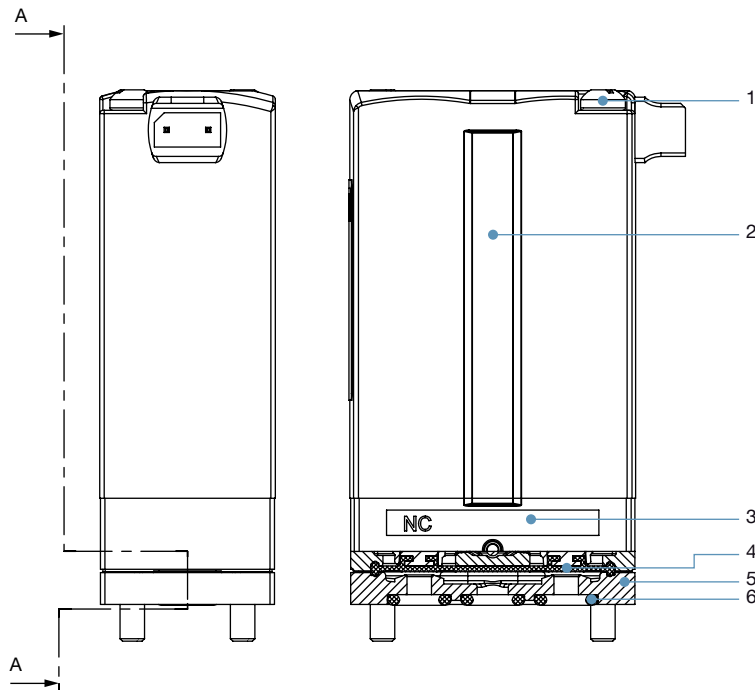


Bürkert resistApp – Chemical Resistance Chart

You want to ensure the reliability and durability of the materials in your individual application case? Verify your combination of media and materials on our website or in our resistApp.

[Start Chemical Resistance Check](#)

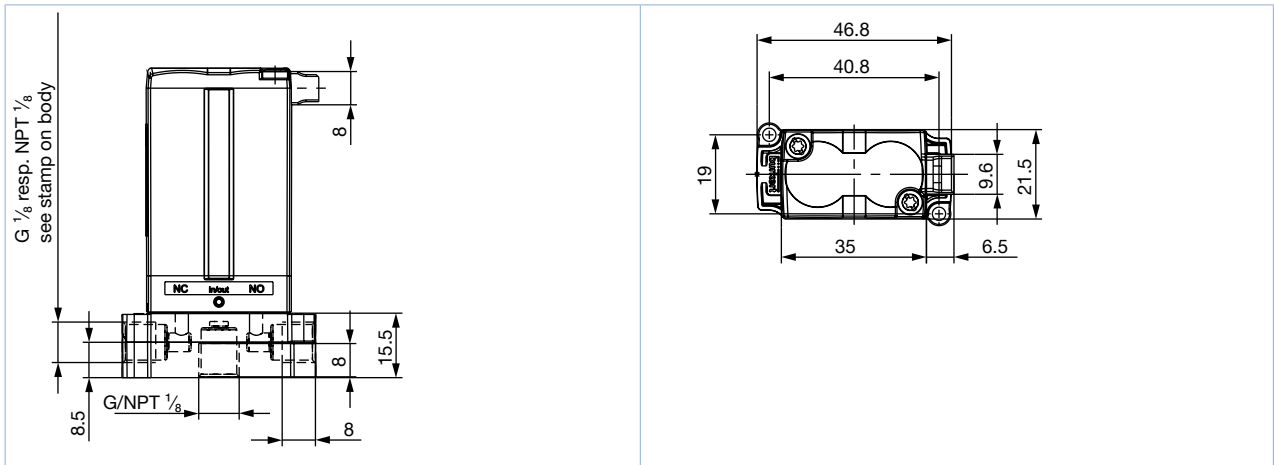
4.2. Material specifications



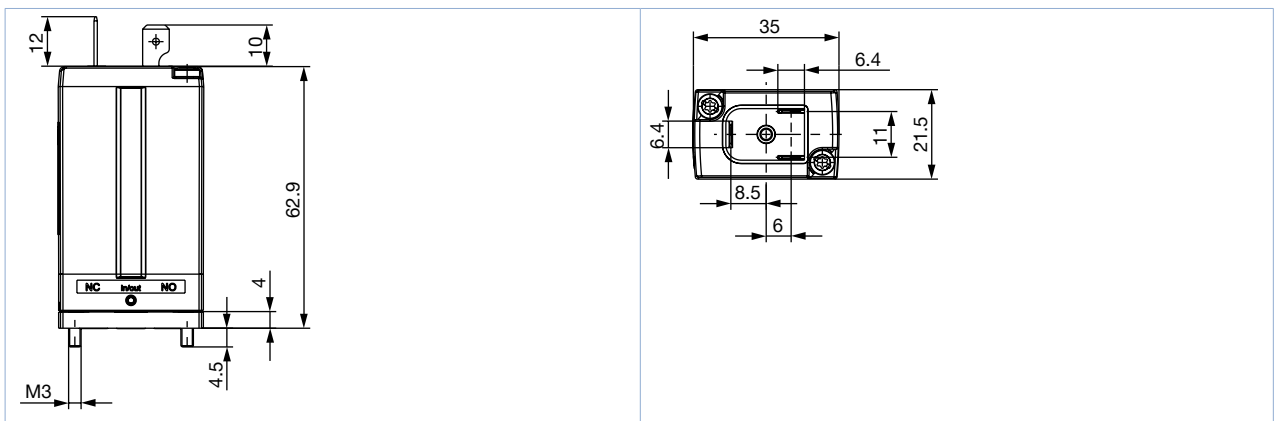
No.	Element	Material
1	Fixing screw (from end to end)	Stainless steel
2	Coil	Epoxy
3	Valve body	PPS
4	Diaphragm (Medium contact)	FFKM, FKM or EPDM
5	Fluid housing (Medium contact)	PEEK, PPS or PVDF
6	Flange seal (Medium contact)	FFKM, FKM or EPDM

5. Dimensions

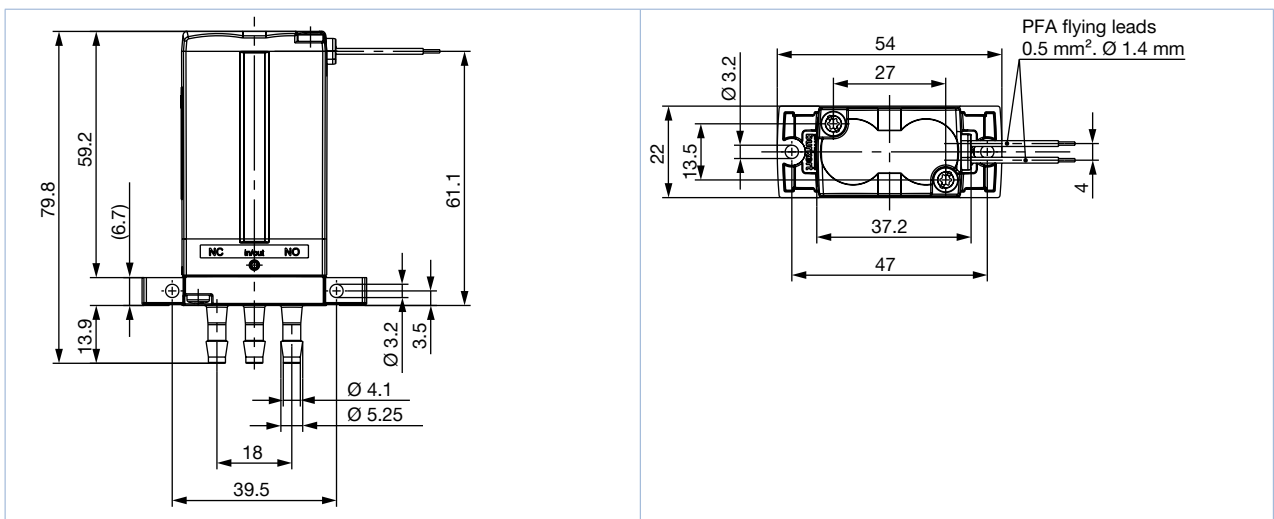
5.1. Threaded port version with rectangular plug



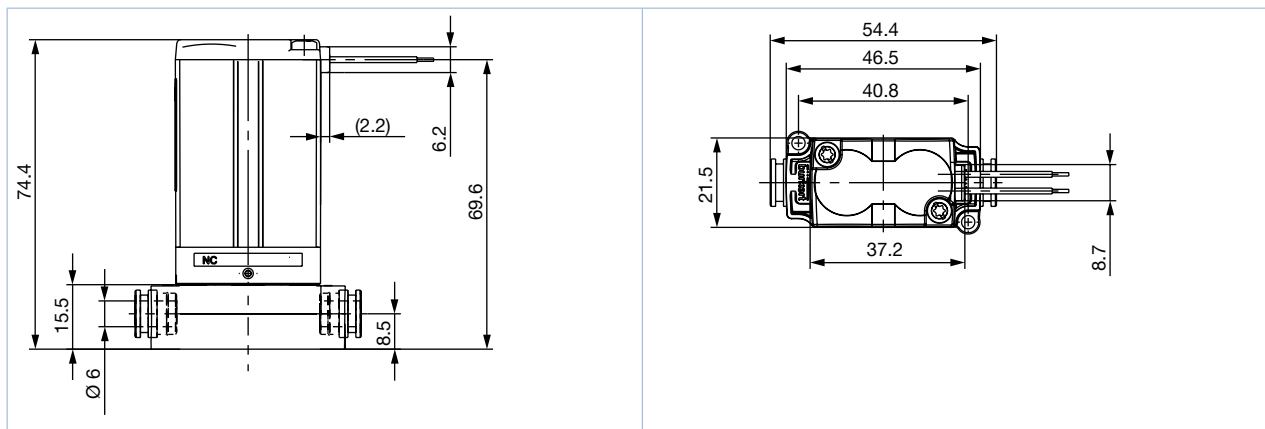
5.2. Flange version for cable plug



5.3. Hose connector with flying leads

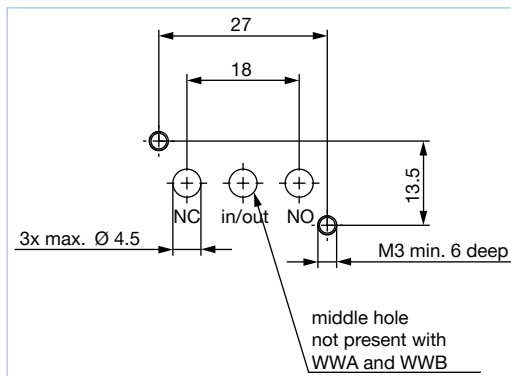


5.4. Push-in connector with flying leads



5.5. Manifold


Flange interface for manifold



Classification of fluid connections
CFA (Circuit function: Type A) 2/2 way, direct-acting, normally closed, inflow at "NC"-connector
CFB (Circuit function: Type B) 2/2 way, direct-acting, normally open, inflow at "NO"-connector
CFT (Circuit function: Type T) 3/2 way, direct-acting, flow direction optional, normally closed, flow as required
See also chapter "3. Circuit functions" on page 44

6. Ordering information

6.1. Bürkert eShop – Easy ordering and quick delivery

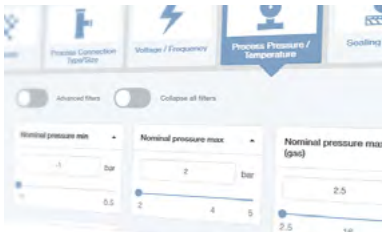


Bürkert eShop – Easy ordering and fast delivery

You want to find your desired Bürkert product or spare part quickly and order directly? Our online shop is available for you 24/7. Sign up and enjoy all the benefits.

[Order online now](#)

6.2. Bürkert product filter



Bürkert product filter – Get quickly to the right product

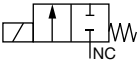
You want to select products comfortably based on your technical requirements? Use the Bürkert product filter and find suitable articles for your application quickly and easily.

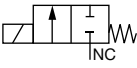
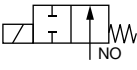
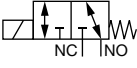
[Try out our product filter](#)

6.3. Ordering chart

Note:

- K_v value water [m³/h] max. flow rate for water measured at +20 °C, 1 bar pressure to atmosphere
- Scope of delivery for rectangular plug without plug connector (see **“6.4. Ordering chart accessories” on page 10**)

Circuit function	Orifice [mm]	Port connection	K_v value water [m ³ /h]	Q_{N_2} value air [l/min]	Pressure range [bar]	Max. pressure difference [bar]	Seal material	Body material	Electrical connection	Voltage/Frequency [V/Hz]	Article no.	
A, solenoid valve 2/2 way Direct-acting Normally closed 	2	Bürkert-Flange	0.1	110	Vac-5	5	EPDM	PPS	Flying leads, 500 mm	24/DC	251614	
									Rectangular plug		250857	
							FFKM	PEEK	Flying leads, 500 mm		234350	
									Rectangular plug			235315
							FKM	PPS	Flying leads, 500 mm		251620	
									Rectangular plug		251618	
	3			0.17	180	Vac-3	3	EPDM	PPS	Flying leads, 500 mm	12/DC	241727
										Rectangular plug	24/DC	242030
								FFKM	PEEK	Flying leads, 500 mm	246199	
										Rectangular plug	251643	
								FFKM	PVDF	Flying leads, 500 mm	235316	
										Rectangular plug	24/DC	230304
FKM	PPS	Flying leads, 500 mm	235317									
		Rectangular plug	12/DC	270082								
Plug Form B	24/DC	270081										
			270083									
			246382									
			251624									
			248017									
			238616									

Circuit function	Orifice [mm]	Port connection	K _v value water [m³/h]	Q _{Nn} value air [l/min]	Pressure range [bar]	Max. pressure difference [bar]	Seal material	Body material	Electrical connection	Voltage/Frequency [V/Hz]	Article no.												
A, solenoid valve 2/2 way Direct-acting Normally closed 	3	G 1/8	0.17	180	Vac-3	3	EPDM	PEEK	Flying leads, 500 mm	24/DC	236170												
									Plug Form B		251644												
									FFKM		PEEK	Flying leads, 500 mm	235319										
												FKM	PEEK	Plug Form B	242340								
									PPS		PEEK			Flying leads, 500 mm	238615								
												EPDM	PEEK	Flying leads, 500 mm	251650								
									FFKM		251613												
											FKM	235318											
									FKM		PEEK	251628											
												FKM	251686										
B, solenoid valve 2/2 way Direct-acting Normally open 	3	Bürkert-Flange	0.17	180	Vac-3	3	FFKM	PEEK	Flying leads, 500 mm	24/DC	251686												
									T, solenoid valve 3/2 way Direct-acting Flow direction optional Normally closed 		2	Bürkert-Flange	0.1	110	Vac-5	5	EPDM	PPS	Flying leads, 500 mm	24/DC	241889		
																			FFKM		PEEK	Rectangular plug	250859
																						FKM	PEEK
																			PPS		PEEK		
																						EPDM	PPS
																			FFKM		PEEK		
																						FKM	PEEK
																			PPS		PEEK		
																						EPDM	PEEK
FFKM	PEEK	Flying leads, 500 mm	251645																				
		PVDF	PEEK	Flying leads, 500 mm	12/DC 235321																		
PPS	PEEK			Rectangular plug	24/DC 230305																		
		FKM	PPS	Flying leads, 500 mm	235322																		
EPDM	PPS			Flying leads, 500 mm	12/DC 270079																		
		FFKM	PPS	Rectangular plug	24/DC 270078																		
FKM	PPS			Flying leads, 500 mm	12/DC 270080																		
		EPDM	PPS	Rectangular plug	24/DC 251633																		
FFKM	PPS			Plug Form B	251635																		
		FKM	PPS	Plug Form B	251634																		
EPDM	PEEK			Flying leads, 500 mm	251684																		
		FFKM	PEEK	Plug Form B	245205																		
FKM	PEEK			Flying leads, 500 mm	251647																		
		PPS	PEEK	Flying leads, 500 mm	235325																		
EPDM	PEEK			Plug Form B	251638																		
		FFKM	PEEK	Plug Form B	251649																		
FKM	PEEK			Flying leads, 500 mm	251685																		
		EPDM	PEEK	Flying leads, 500 mm	251617																		
FFKM	PEEK			Plug Form B	235323																		
		FKM	PEEK	Plug Form B	251637																		

Further versions on request

	Electrical connection Cable plug connection acc. to Form B (Industrial standard) Flying leads		Material Other body and seal materials on request
---	--	---	---





DTS 1000170656 EN Version: G Status: RL (released | freigegeben | valide) printed: 11.06.2019

6.4. Ordering chart accessories

Rectangular cable plug Type 2505

Note:




For further rectangular cable plug versions see separate data sheet **Type 2505** ▶.

Accessories	Description	Article no.
	Rectangular cable plug Type 2505 with 3 m cable	133486 
	Rectangular cable plug Type 2505 with 300 mm flying leads	644068 

Cable plug Type 2507 acc. to Industrial standard Form B

Note:

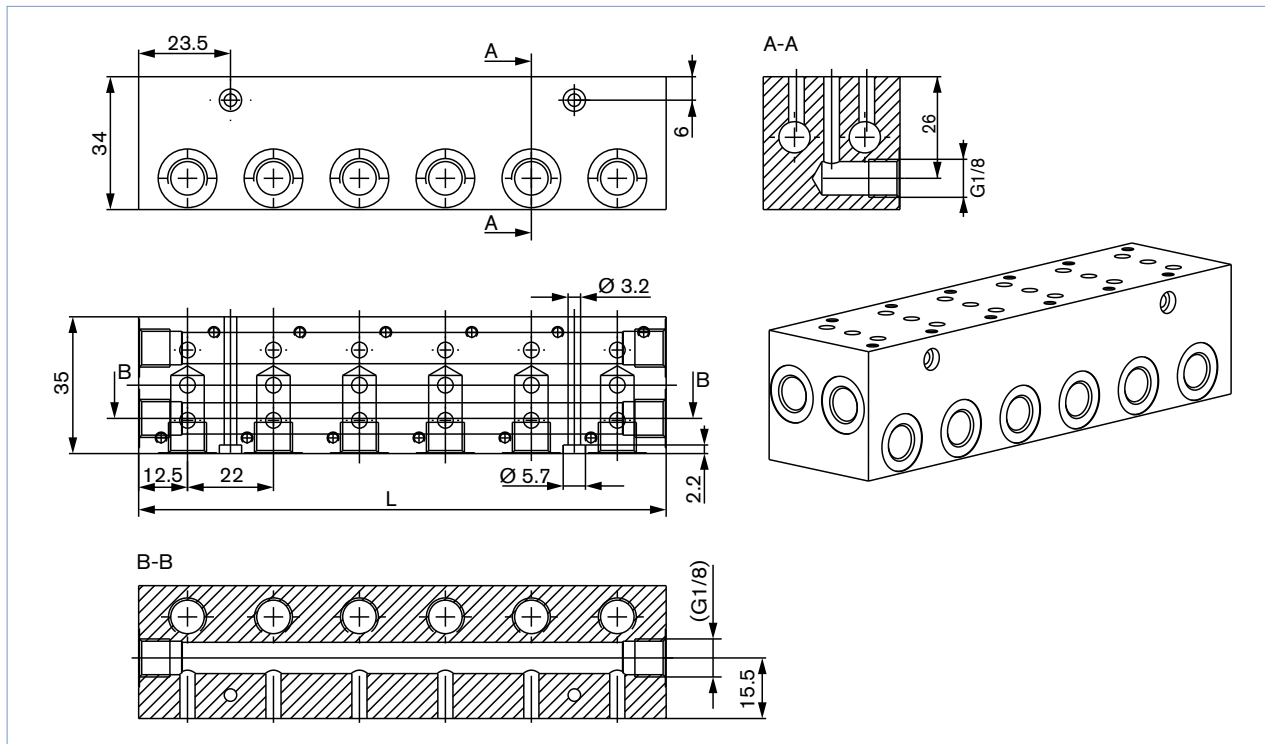
For further cable plug versions see separate data sheet **Type 2507** ▶.

	Description	Article no.
	Cable plug Type 2507 according to Industrial standard Form B, without circuitry, 0...250 V AC/DC	423845 
	Cable plug Type 2507 according to Industrial standard Form B, with LED, 24 V AC/DC	423849 

Multiple Manifolds

Note:

- Other versions on request.
- Multiple Manifolds with individual service port (G 1/8) and diverter function on 2 common channels (G 1/8)
- Valves must be ordered separately and are not part of delivery, see “6.3. Ordering chart” on page 8.
- Material anodized aluminium (black).



Manifold	L [mm]	Article no.
2-fold	47	669571
3-fold	69	672633
4-fold	91	669572
5-fold	113	672661
6-fold	135	669570
10-fold	223	672660