



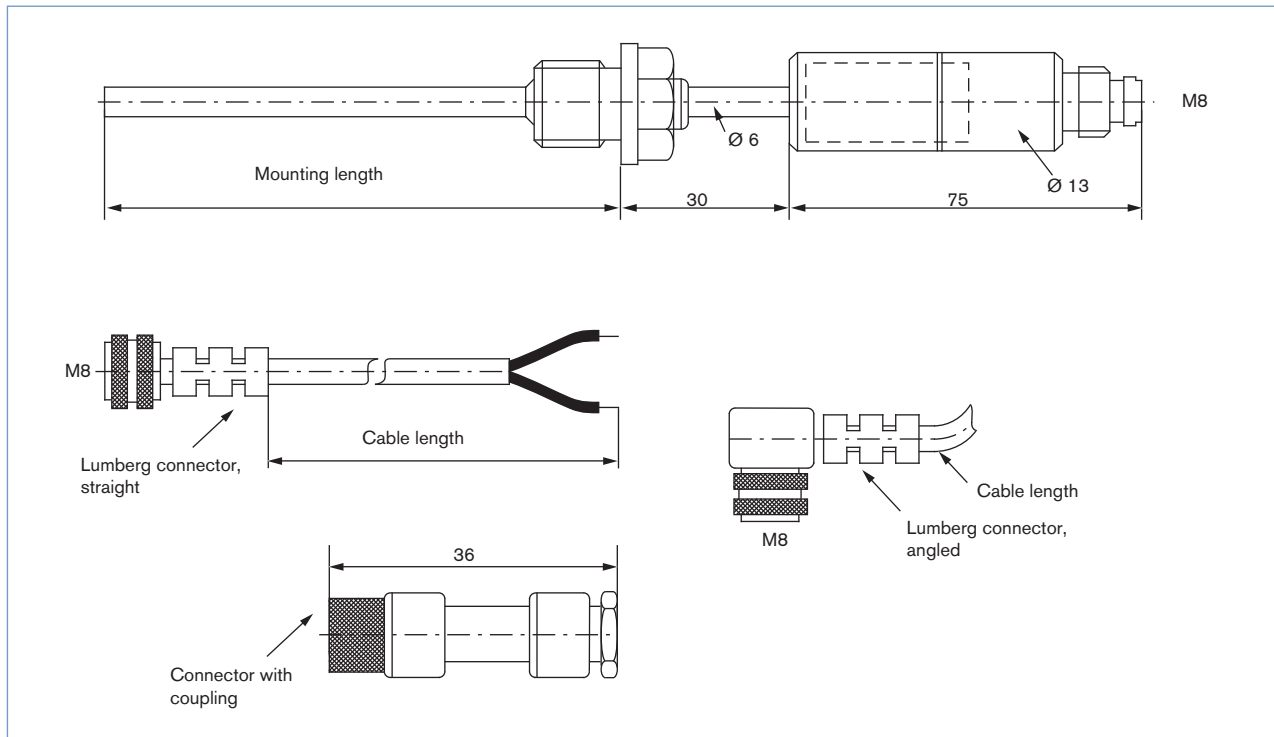
## Resistance Thermometer Pt100

- With transmitter
- Wide range of applications for neutral and aggressive fluid

Temperature measuring with 1xPt100-temperature probe integrated in stainless steel tube; Measuring unit according DIN IEC 751 welded-in and not exchangeable.

Technical data	
<b>Measuring range</b>	0 up to +150°C
<b>Accuracy</b>	class B ( $\Delta T$ [grad]= $\pm 0.3 \pm 0.005 T$ [°C].
<b>Ambient temperature</b>	max. +85°C
<b>Output signal</b>	4 up to 20 mA (correspond from 0 up to +150°C)
<b>Measuring current</b>	approx. 1 mA (film measuring resistor)
<b>Circuit type</b>	2-wire circuit
<b>Electrical connections</b>	Lumberg connector with/without cable
<b>Protection class</b>	IP 67 with connector
<b>Protection tube material</b>	Stainless steel 1.4571
<b>Connection</b>	External thread G 1/2 A

## Dimensions [mm]



## Ordering chart

Mounting length [mm]	Thread	Item no.
40	G 1/2	784 334
50	G 1/2	784 335

## Ordering chart for accessories

Round connector, 4-pins, Lumberg	Cable length	Item no.
<b>Straight</b>	<b>2 m</b>	784 337
<b>Straight</b>	<b>5 m</b>	784 338
<b>Angled</b>	<b>2 m</b>	784 339
<b>Angled</b>	<b>5 m</b>	784 340
<b>Connector with coupling</b>	-	784 336