



## 2/2 and 3/2-way ball valve with pneumatic rotary actuator

- Pneumatic rotary actuator
- Brass, nickel-plated and stainless steel ball valve
- External regulation of the pistons
- Full bore
- Favourable flow rate

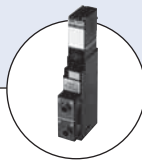
Type 8805 can be combined with...



**Type 6012/6014 P**  
Pilot valve



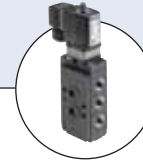
**Type 8640/8644**  
Valve island



**Type 5470**  
Solenoid valve



**Type 6518/6519**  
Solenoid valve

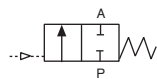


**Type 6519 NAMUR**  
NAMUR valve

Bürkert's range of precision activated ball valves fulfil a wide variety of on-off process applications. Available in 2 or 3 way and both single acting and spring return they exhibit high flow rates by virtue of their reliable full bore design.

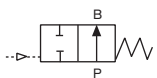
### Control function A [SFA]

2/2- and 3/2-way valve, NC operation with Pilot valve



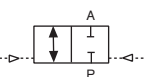
### Control function B [SFB]

2/2- and 3/2-way valve, NO, operation with pilot valve



### Control function I [SFI]

3/2 and 2/2 way valve with double-acting actuator, without spring, operation with pilot valve



### Technical data

#### Orifice

2/2-way ball valve	10 - 80 mm
3/2-way ball valve	10 - 50 mm

#### Body material

2/2-way ball valve	Stainless steel 1.4408; brass, nickel-plated
3/2-way ball valve	Stainless steel 1.4408; brass, nickel-plated

#### Actuator material

Aluminium
-----------

#### Ball material

2/2-way ball valve	Stainless steel 1.4401; brass, chromium-plated
3/2-way ball valve	Stainless steel 1.4401; brass, chromium-plated

#### Selector shaft material

2/2-way ball valve	Stainless steel 1.4401
3/2-way ball valve	Stainless steel 1.4401; brass, nickel plated

#### Seal materials

Ball seal	PTFE
Actuating shaft seal	PTFE

#### Pressure range

See ordering chart
--------------------

#### Medium

Brass body: neutral medium
Stainless steel body: aggressive fluids, which will not attack the body and seal

#### Medium temperature

-10 to +100 °C (brass body from -20 °C)
---

#### Ambient temperature

-10 to +80 °C (brass body from -20 °C)
--

#### Control medium

Compressed air, natural gas
-----------------------------

#### Pilot pressure

5.5 to 8 bar <sup>1)</sup>
----------------------------

#### Port connection

2/2-way ball valve	G 3/8 - G 3
3/2-way ball valve	G 3/8 - G 2

#### Installation

As required, preferably with actuator upright
---

<sup>1)</sup> Pressure values [bar]: Measured as overpressure with respect to the atmospheric pressure

2/2-way ball valve

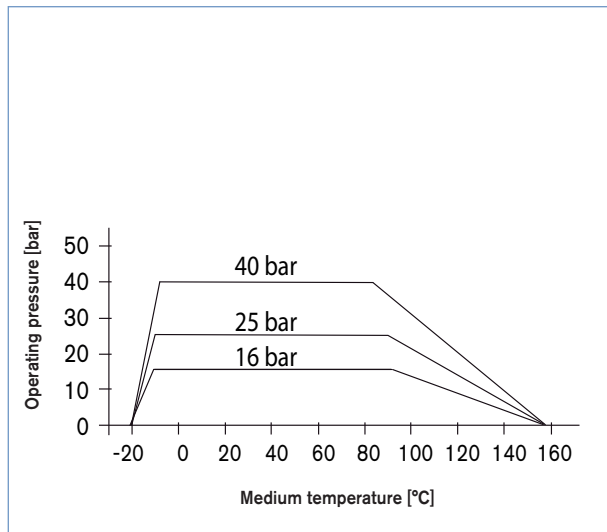
Technical data

Orifice DN [mm]	Port connection	Control function <sup>1)</sup>	Kv value water [m <sup>3</sup> /h]			Nominal pressure** [bar]			Weight [kg]		
			Brass	SS 2 pieces	SS 3 pieces	Brass	SS 2 pieces	SS 3 pieces	Brass	SS 2 pieces	SS 3 pieces
10 / 12*	G 3/8"	A, B	6	9	9	40	100	63	2.6	2.3	2.6
		I	6	9	9	40	100	63	1.4	1.4	1.7
15	G 1/2"	A, B	16.3	35	35	40	100	63	2.6	2.4	2.6
		I	16.3	35	35	40	100	63	1.4	1.5	1.7
20	G 3/4"	A, B	29.5	46	46	40	100	63	2.7	2.6	3.1
		I	29.5	46	46	40	100	63	1.5	2.5	1.9
25	G 1"	A, B	43	72	72	40	100	63	3	4.3	4.6
		I	43	72	72	40	100	63	1.8	2.7	3.1
32	G 1 1/4"	A, B	89	105	105	40	100	63	3.5	4.9	5.4
		I	89	105	105	40	100	63	2.3	3.4	3.8
40	G 1 1/2"	A, B	230	170	170	40	100	63	5.3	5.5	9.5
		I	230	170	170	40	100	63	3.8	5.3	6.1
50	G 2"	A, B	265	275	275	40	100	63	6.6	10.2	11.2
		I	265	275	275	40	100	63	5	6.8	7.8
65	G 2 1/2"	A, B	540	--	507	25	100	63	9.3	--	19.3
		I	540	--	507	25	100	63	7.5	--	13.7
80	G 3"	A, B	873	--	905	16	100	63	11.4	--	24.1
		I	873	--	905	16	100	63	9.6	--	18.5

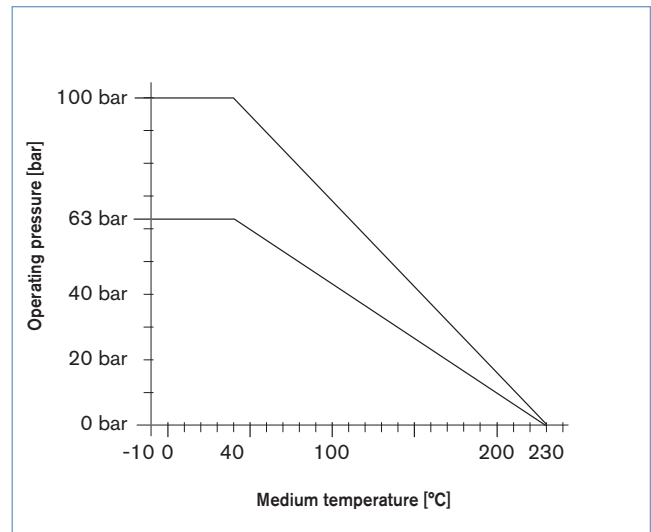
<sup>1)</sup> A, B ... single-acting  
I ... double-acting

\* DN12 stainless steel 2 and 3 pieces  
\*\* Operating pressure: see pressure temperature chart

Pressure temperature chart for brass body



Pressure temperature chart for stainless steel body



2/2-way ball valve, *continued*

Ordering chart for brass and stainless steel (SS) (Minimum pilot pressure 5.5 bar)

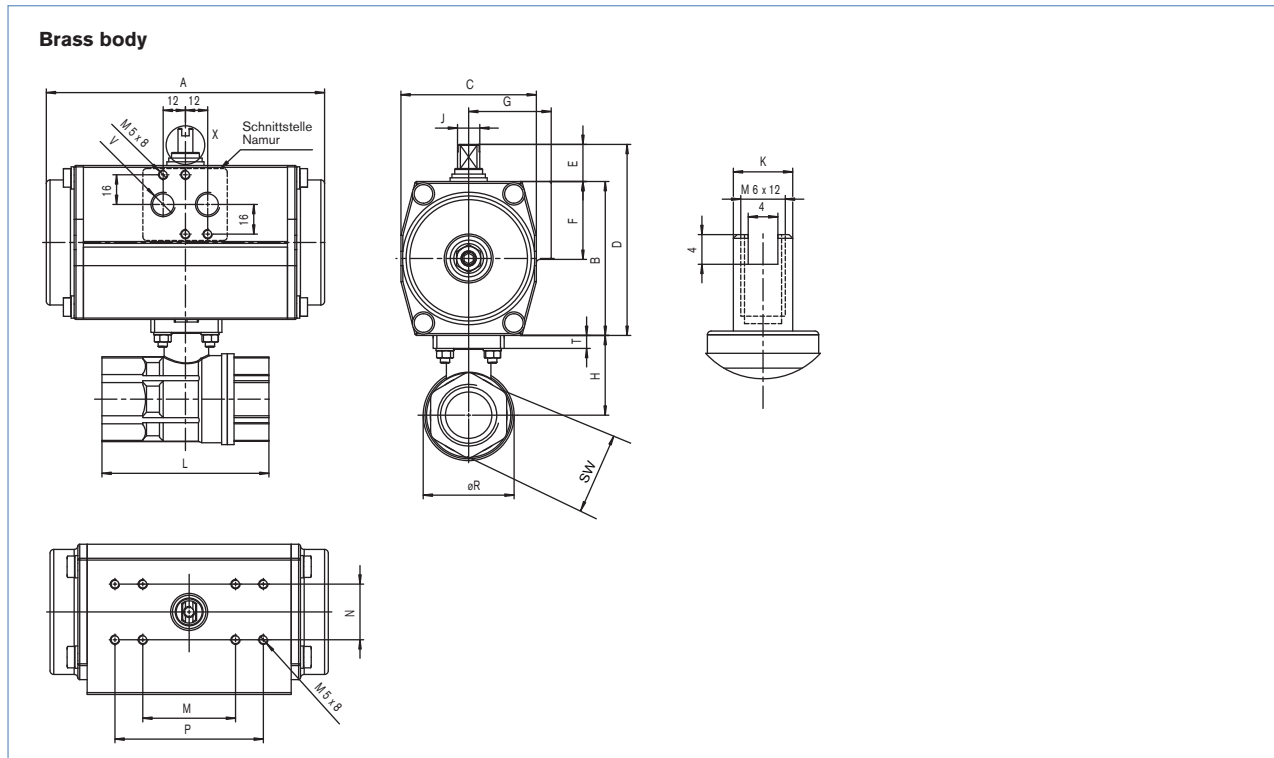
Control function	Orifice DN [mm]	Port connection	Kv value water [m <sup>3</sup> /h]			Nominal pressure <sup>2)</sup> [bar]			Actuator			Item no.		
			Brass	SS 2 pieces	SS 3 pieces	Brass	SS 2 pieces	SS 3 pieces	Brass	SS 2 pieces	SS 3 pieces	Brass	SS 2 pieces	SS 3 pieces <sup>3)</sup>
A	10 / 12 <sup>1)</sup>	G 3/8"	6	9	9	40	100	63	2	2	2	183 420	183301	183 349
	15	G 1/2"	16.3	35	35	40	100	63	2	2	2	183 421	183302	183 350
	20	G 3/4"	29.5	46	46	40	100	63	2	2	3	183 422	183303	183 364
	25	G 1"	43	72	72	40	100	63	2	3	3	183 423	183304	183 365
	32	G 1 1/4"	89	105	105	40	100	63	2	3	3	183 424	183305	183 366
	40	G 1 1/2"	230	170	170	40	100	63	3	3	4	183 425	183306	183 367
	50	G 2"	265	275	275	40	100	63	3	4	4	183 426	183307	183 368
	65	G 2 1/2"	540	--	507	25	--	63	3.5	--	4.5	183 427	on request	183 369
80	G 3"	873	--	905	16	--	63	3.5	--	4.5	183 428	on request	183 370	
B	10 / 12 <sup>1)</sup>	G 3/8"	6	9	9	40	--	63	2	--	2	183 433	on request	183 372
	15	G 1/2"	16.3	35	35	40	--	63	2	--	2	183 434	on request	183 373
	20	G 3/4"	29.5	46	46	40	--	63	2	--	3	183 435	on request	183 374
	25	G 1"	43	72	72	40	--	63	2	--	3	183 436	on request	183 375
	32	G 1 1/4"	89	105	105	40	--	63	2	--	3	183 437	on request	183 376
	40	G 1 1/2"	230	170	170	40	--	63	3	--	4	183 438	on request	183 377
	50	G 2"	265	275	275	40	--	63	3	--	4	183 439	on request	183 378
	65	G 2 1/2"	540	--	507	25	--	63	3.5	--	4.5	183 440	on request	183 379
80	G 3"	873	--	905	16	--	63	3.5	--	4.5	183 441	on request	183 380	
I	10 / 12 <sup>1)</sup>	G 3/8"	6	9	9	40	100	63	1	1	1	183 443	183310	183 382
	15	G 1/2"	16.3	35	35	40	100	63	1	1	1	183 444	183311	183 383
	20	G 3/4"	29.5	46	46	40	100	63	1	2	1	183 445	183312	183 384
	25	G 1"	43	72	72	40	100	63	1	2	2	183 446	183313	183 385
	32	G 1 1/4"	89	105	105	40	100	63	1	2	2	183 447	183314	183 386
	40	G 1 1/2"	230	170	170	40	100	63	2	3	3	183 448	183315	183 387
	50	G 2"	265	275	275	40	100	63	2	3	3	183 449	183316	183 388
	65	G 2 1/2"	540	--	507	25	--	63	3	--	3.5	183 450	on request	183 389
80	G 3"	873	--	905	16	--	63	3	--	3.5	183 451	on request	183 390	

<sup>1)</sup> DN12 stainless steel 2 and 3 piece<sup>2)</sup> Operating pressure, see pressure temperature chart<sup>3)</sup> With weld ends on request**i** Further versions on request

**>** **Additional**  
Further Connections and Orifices  
Non standard fittings and versions

2/2-way ball valve, *continued*

Dimensions [mm]

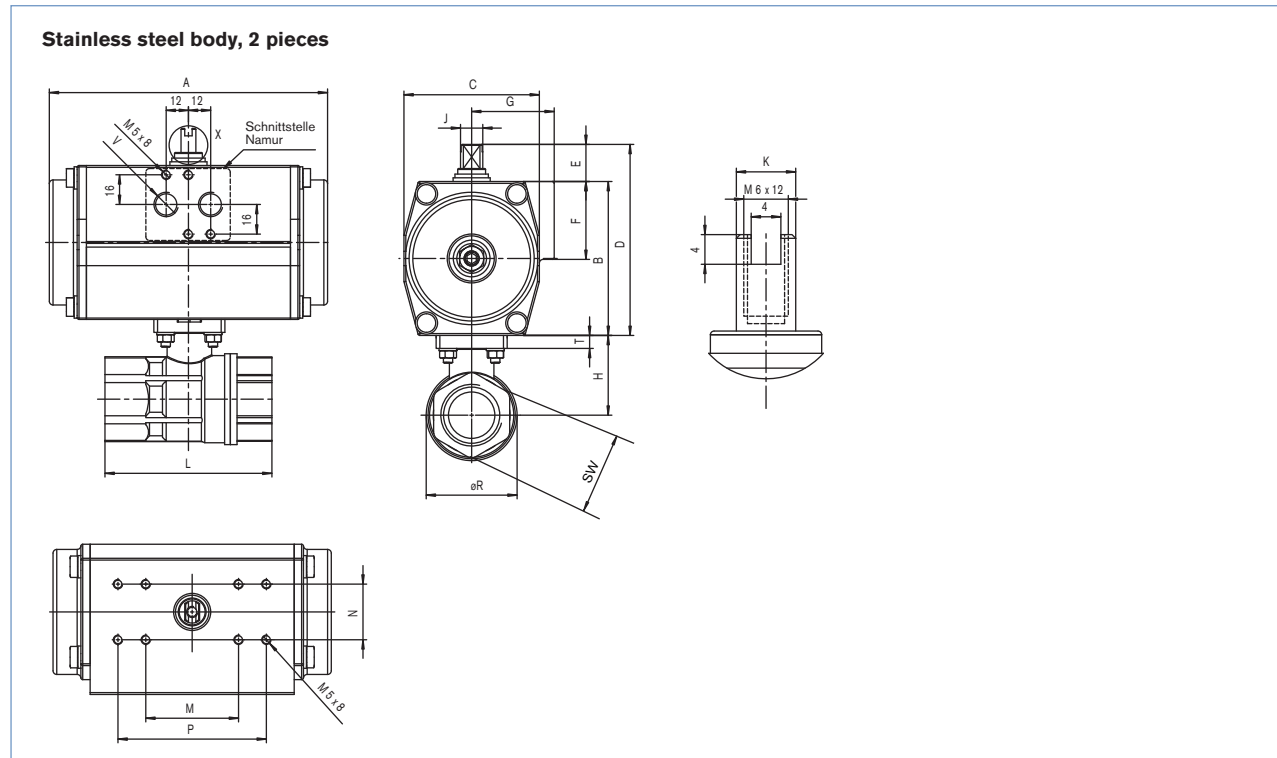


Orifice [mm]	Port Connection	Actuator	Weight [mm]													Valve size [mm]				
			A	B	C	D	E	F	G	J	K	M	P	N	V	L	SW	øR	H	T
10	G 3/8"	2	150	83	73	103	20	42	44.5	12	8	80	-	30	1/4"	67	27	33.5	32.5	15.5*
		1	137	67	60	87	20	42	41	12	8	80	-	30	1/8"					5.5
15	G 1/2"	2	150	83	73	103	20	42	44.5	12	8	80	-	30	1/4"	67	27	33.5	32.5	15.5*
		1	137	67	60	87	20	42	41	12	8	80	-	30	1/8"					5.5
20	G 3/4"	3	204	100	85	120	20	50	49.5	14	10	80	-	30	1/4"					--
		2	150	83	73	103	20	42	44.5	12	8	80	-	30	1/4"	76	32	40	34.5	15.5*
25	G 1"	1	137	67	60	87	20	42	41	12	8	80	-	30	1/8"					5.5
		2	150	83	73	103	20	42	44.5	12	8	80	-	30	1/4"	90	41	49	45.5	17*
32	G 1 1/4"	3	204	100	85	120	20	50	49.5	14	10	80	-	30	1/4"					--
		2	150	83	73	103	20	42	44.5	12	8	80	-	30	1/4"	102	50	58.5	59	16*
40	G 1 1/2"	4	271	125	110	145	20	50	58	19	14	80	-	30	1/4"					22*
		3.5	230	110	98	130	20	50	53	19	14	80	-	30	1/4"					22*
		3	204	100	85	120	20	50	49.5	14	10	80	-	30	1/4"	114	55	73	64	10
		2	150	83	73	103	20	42	44.5	12	8	80	-	30	1/4"	114	55	73	64	10
50	G 2"	4	271	125	110	145	20	50	58	19	14	80	-	30	1/4"					20*
		3.5	230	110	98	130	20	50	53	19	14	80	-	30	1/4"					20*
		3	204	100	85	120	20	50	49.5	14	10	80	-	30	1/4"	138	70	91.5	73.5	8
		2	150	83	73	103	20	42	44.5	12	8	80	-	30	1/4"	138	70	91.5	73.5	8
65	G 2 1/2"	4.5	305	142	128	172	30	58	69	28	20	80	130	30	1/4"					--
		4	271	125	110	145	20	50	58	19	14	80	-	30	1/4"					9
		3.5	230	110	98	130	20	50	53	19	14	80	-	30	1/4"	165	90	114.5	88.5	9
		3	204	100	85	120	20	50	49.5	14	10	80	-	30	1/4"	165	90	114.5	88.5	9
80	G 3"	4.5	305	142	128	172	30	58	69	28	20	80	130	30	1/4"					--
		4	271	125	110	145	20	50	58	19	14	80	-	30	1/4"					9
		3.5	230	110	98	130	20	50	53	19	14	80	-	30	1/4"	188	105	136	98	9
		3	204	100	85	120	20	50	49.5	14	10	80	-	30	1/4"	188	105	136	98	9

\* with flange adaption

2/2-way ball valve, *continued*

Dimensions [mm]

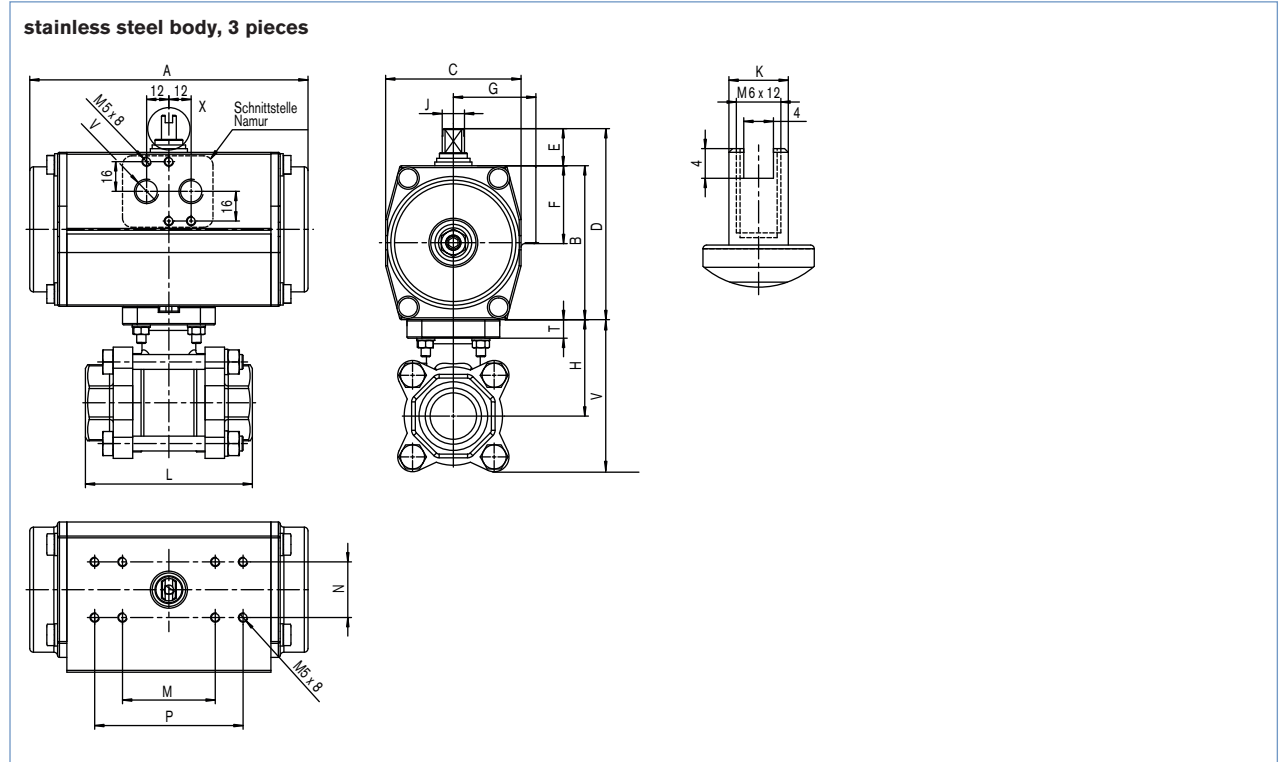


Orifice [mm]	Port Connection	Actuator	Weight [mm]													Valve size [mm]				
			A	B	C	D	E	F	G	J	K	M	P	N	V	L	SW	øR	H	T
10	G 3/8"	2	150	83	73	103	20	42	44.5	12	8	80	-	30	1/4"	60	22	32	33	5
		1	137	67	60	87	20	42	41	12	8	80	-	30	1/8"	60	22	32	33	5
15	G 1/2"	2	150	83	73	103	20	42	44.5	12	8	80	-	30	1/4"	75	27	35	35	5
		1	137	67	60	87	20	42	41	12	8	80	-	30	1/8"	75	27	35	35	5
20	G 3/4"	3	204	100	85	120	20	50	49.5	14	10	80	-	30	1/4"					6
		2	150	83	73	103	20	42	44.5	12	8	80	-	30	1/4"	80	33	45	41	6
		1	137	67	60	87	20	42	41	12	8	80	-	30	1/8"					6
25	G 1"	3	204	100	85	120	20	50	49.5	14	10	80	-	30	1/4"	90	41	51	46	6
		2	150	83	73	103	20	42	44.5	12	8	80	-	30	1/4"	90	41	51	46	6
		1	137	67	60	87	20	42	41	12	8	80	-	30	1/8"					--
32	G 1 1/4"	3	204	100	85	120	20	50	49.5	14	10	80	-	30	1/4"	110	50	63	49	8
		2	150	83	73	103	20	42	44.5	12	8	80	-	30	1/4"	110	50	63	49	8
		1	137	67	60	87	20	42	41	12	8	80	-	30	1/8"					--
40	G 1 1/2"	4	271	125	110	145	20	50	58	19	14	80	-	30	1/4"					20*
		3.5	230	110	98	130	20	50	53	19	14	80	-	30	1/4"					20*
		3	204	100	85	120	20	50	49.5	14	10	80	-	30	1/4"	120	58	75	55	8
50	G 2"	2	150	83	73	103	20	42	44.5	12	8	80	-	30	1/4"					--
		4	271	125	110	145	20	50	58	19	14	80	-	30	1/4"	140	70	96	67	8
		3.5	230	110	98	130	20	50	53	19	14	80	-	30	1/4"					8
		3	204	100	85	120	20	50	49.5	14	10	80	-	30	1/4"	140	70	96	67	8
		2	150	83	73	103	20	42	44.5	12	8	80	-	30	1/4"					--

\* with flange adaption

2/2-way ball valve, *continued*

Dimensions [mm]



Orifice [mm]	Port Connection	Actuator	Weight [mm]													Valve size				
			A	B	C	D	E	F	G	J	K	M	P	N	V	L(S)	L(G)	H	V	T
10	G 3/8"	2	150	83	73	103	20	42	44.5	12	8	80	-	30	1/4"	70	65	40	54	9
		1	137	67	60	87	20	42	41	12	8	80	-	30	1/8"	70	65	40	54	9
15	G 1/2"	2	150	83	73	103	20	42	44.5	12	8	80	-	30	1/4"	75	75	40	57.5	9
		1	137	67	60	87	20	42	41	12	8	80	-	30	1/8"	75	75	40	57.5	9
20	G 3/4"	3	204	100	85	120	20	50	49.5	14	10	80	-	30	1/4"	90	80	44	62	20*
		2	150	83	73	103	20	42	44.5	12	8	80	-	30	1/4"					9
		1	137	67	60	87	20	42	41	12	8	80	-	30	1/8"	90	80	44	62	9
25	G 1"	3	204	100	85	120	20	50	49.5	14	10	80	-	30	1/4"	100	90	52	70.3	10
		2	150	83	73	103	20	42	44.5	12	8	80	-	30	1/4"	100	90	52	70.3	10
		1	137	67	60	87	20	42	41	12	8	80	-	30	1/8"					--
32	G 1 1/4"	3	204	100	85	120	20	50	49.5	14	10	80	-	30	1/4"	110	110	58	81.8	10
		2	150	83	73	103	20	42	44.5	12	8	80	-	30	1/4"	100	110	58	81.8	10
		1	137	67	60	87	20	42	41	12	8	80	-	30	1/8"					--
40	G 1 1/2"	4	271	125	110	145	20	50	58	19	14	80	-	30	1/4"	125	120	68	92.3	13
		3.5	230	110	98	130	20	50	53	19	14	80	-	30	1/4"					13
		3	204	100	85	120	20	50	49.5	14	10	80	-	30	1/4"	125	120	68	92.3	13
		2	150	83	73	103	20	42	44.5	12	8	80	-	30	1/4"					--
50	G 2"	4	271	125	110	145	20	50	58	19	14	80	-	30	1/4"	150	140	77	110.8	13
		3.5	230	110	98	130	20	50	53	19	14	80	-	30	1/4"					13
		3	204	100	85	120	20	50	49.5	14	10	80	-	30	1/4"	150	140	77	110.8	13
65	G 2 1/2"	2	150	83	73	103	20	42	44.5	12	8	80	-	30	1/4"					--
		4.5	305	142	128	172	30	58	69	28	20	80	130	30	1/4"	190	185	98	142.5	13
		4	271	125	110	145	20	50	58	19	14	80	-	30	1/4"					13
		3.5	230	110	98	130	20	50	53	19	14	80	-	30	1/4"	190	185	98	142.5	13
80	G 3"	3	204	100	85	120	20	50	49.5	14	10	80	-	30	1/4"					--
		4.5	305	142	128	172	30	58	69	28	20	80	130	30	1/4"	220	205	110	186.5	13
		4	271	125	110	145	20	50	58	19	14	80	-	30	1/4"					13
80	G 3"	3.5	230	110	98	130	20	50	53	19	14	80	-	30	1/4"	220	205	110	187	13
		3	204	100	85	120	20	50	49.5	14	10	80	-	30	1/4"					--

\* with flange adaption

(G) thread  
(S) weld end

3/2-way ball valve

Technical data

Brass body

Port connection	Kv value water [m³/h]	Nominal pressure * [bar]	Actuator	Weight SFA [kg]	Weight SFI [kg]
G 3/8"	3	30	2	2.67	-
			1	-	1.67
G 1/2"	3.9	30	2	2.8	-
			1	-	1.8
G 3/4"	7.9	30	3	4.46	-
			2	-	2.7
G 1"	13	16	3	5.19	-
			2	-	3.43
G 1 1/4"	20.7	10	3	6.11	-
			2	-	4.35
G 1 1/2"	38.7	10	3.5	9.48	-
			3	-	7.37
G 2"	54	10	4	15.29	-
			3	-	11.17

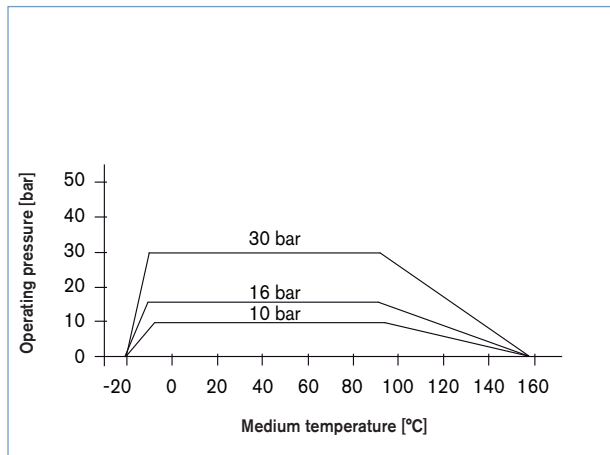
\* Operating pressure see pressure temperature chart

Stainless steel body

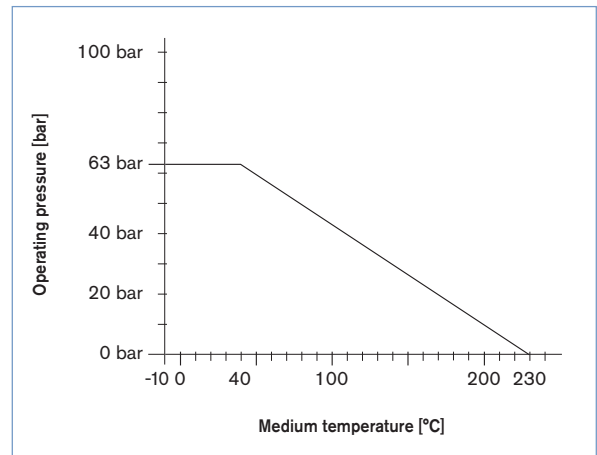
Kv value water [m³/h]	Nominal pressure * [bar]	Actuator	Weight SFA [kg]	Weight SFI [kg]
4.7 - 6.9*	63	3	4.41	-
		1	-	1.9
6.9 - 11.2*	63	3	4.56	-
		1	-	2.05
6.9 - 11.2*	63	3	4.46	-
		2	-	2.7
18.9 - 29.2*	63	3	5.01	-
		2	-	3.25
35.3 - 46.4	63	3	6.26	-
		3	-	5.7
46.4 - 72.2*	63	3	7.21	-
		3	-	6.65
83.4 - 135.9*	63	4	14.52	-
		3	-	10.4

\* acc. to switch setting

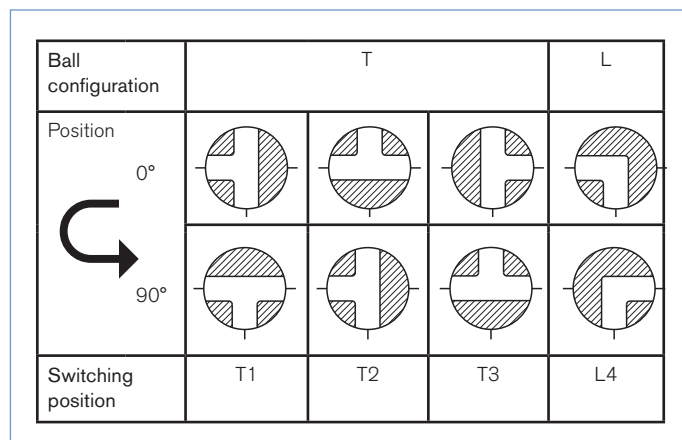
Pressure temperature chart for brass body



Pressure temperature chart for stainless steel body



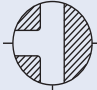
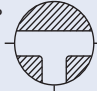
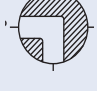

Switching position



3/2-way ball valve, *continued*

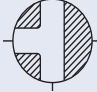
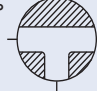
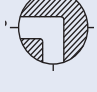
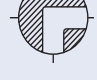
## Ordering chart, Brass

Minimum pilot pressure 5.5 bar, T2 and T3 on request

Switching position	Orifice [mm]	Port connection	Kv value water [m <sup>3</sup> /h]	Nominal pressure* [bar]	Actuator single-acting CFA	Item no. single-acting CFA	Actuator double-acting CFI	Item no. double-acting CFI
0° 	10	G 3/8"	3	30	2	183 469	1	183 477
	15	G 1/2"	3.9	30	2	183 470	1	183 478
	20	G 3/4"	7.9	30	3	183 471	2	183 479
	25	G 1"	13	16	3	183 472	2	183 480
90° 	32	G 1 1/4"	20.7	10	3	183 473	2	183 481
	40	G 1 1/2"	38.7	10	3.5	183 474	3	183 482
	50	G 2"	54	10	4	183 475	3	183 483
0° 	10	G 3/8"	3	30	2	183 453	1	183 461
	15	G 1/2"	3.9	30	2	183 454	1	183 462
	20	G 3/4"	7.9	30	3	183 455	2	183 463
	25	G 1"	13	16	3	183 456	2	183 464
90° 	32	G 1 1/4"	20.7	10	3	183 457	2	183 465
	40	G 1 1/2"	38.7	10	3.5	183 458	3	183 466
	50	G 2"	54	10	4	183 459	3	183 467

## Ordering chart, stainless steel

(reduced orifice) Minimum pilot pressure 5.5 bar, T2 and T3 on request

Switching position	Orifice [mm]	Port connection	Kv value water [m <sup>3</sup> /h]	Nominal pressure* [bar]	Actuator single-acting CFA	Item no. single-acting CFA	Actuator double-acting CFI	Item no. double-acting CFI
0° 	12	G 3/8"	4.7 / 6.9**	63	3	183 334	1	183 341
	12	G 1/2"	6.9 / 11.2**	63	3	183 335	1	183 342
	15	G 3/4"	6.9 / 11.2**	63	3	183 336	2	183 343
	20	G 1"	18.9 / 29.2**	63	3	183 337	2	183 344
90° 	25	G 1 1/4"	35.3 / 46.4**	63	3	183 338	3	183 345
	32	G 1 1/2"	46.4 / 72.2**	63	3	183 339	3	183 346
	40	G 2"	83.4 / 135.6**	63	4	183 340	3	183 347
0° 	12	G 3/8"	5.6	63	3	183 318	1	183 327
	12	G 1/2"	9.5	63	3	183 319	1	183 328
	15	G 3/4"	9.5	63	3	183 320	2	183 329
	20	G 1"	25.8	63	3	183 323	2	183 330
90° 	25	G 1 1/4"	40.4	63	3	183 324	3	183 331
	32	G 1 1/2"	60.2	63	3	183 325	3	183 332
	40	G 2"	114.4	63	4	183 326	3	183 333

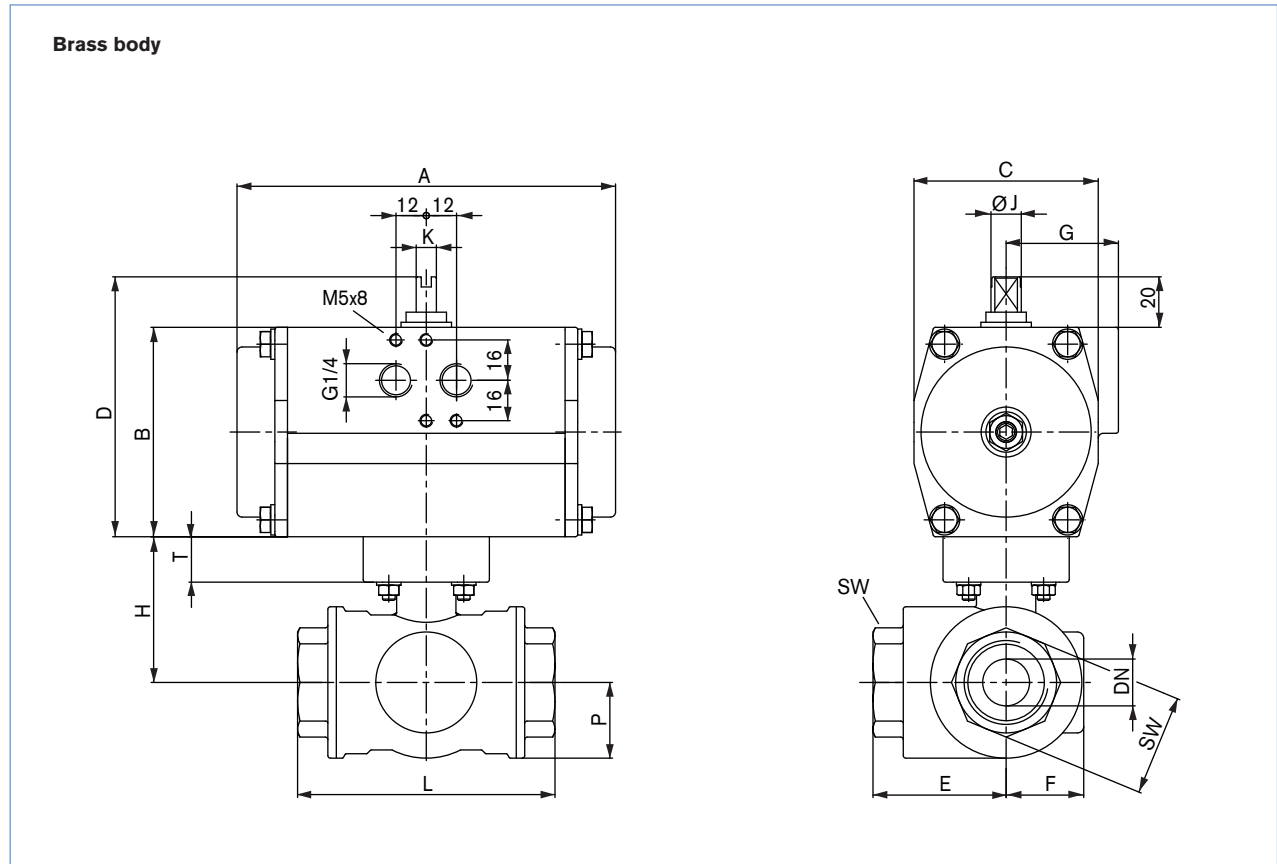
\* operating pressure: see pressure temperature chart

\*\*switch setting 0° / 90°



3/2-way ball valve, *continued*

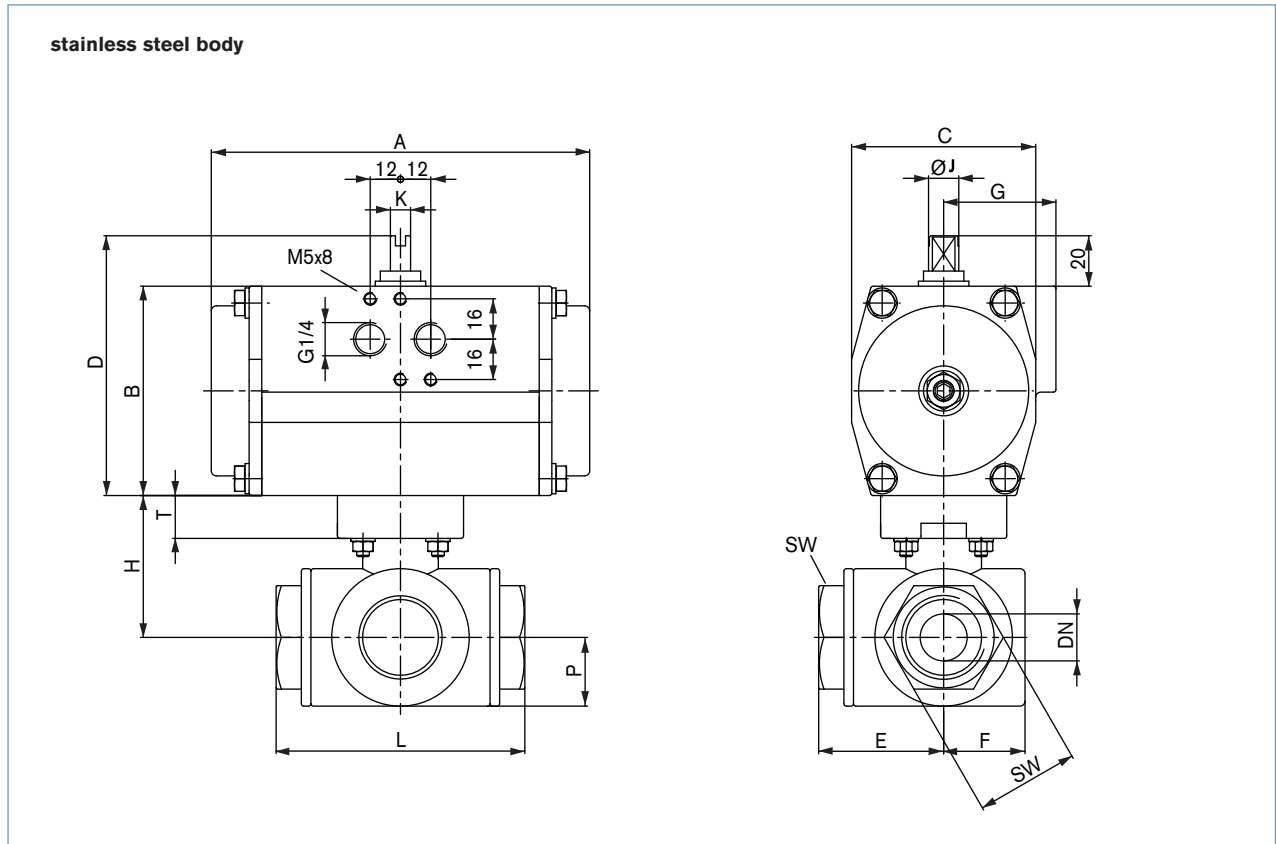
Dimensions [mm]



DN	Port connection	Actuator	Weight [mm]													
			A	B	C	D	E	F	G	H	J	K	L	P	T	SW
10	G 3/8"	2	150	83	73	103	33.5	19.5	44.5	41.5	12	8	67	17	16	22
		1	137	67	60	87			41	30.5	12	8			5	
15	G 1/2"	2	150	83	73	103	38.5	22	44.5	43.5	12	8	77	19.5	16	27
		1	137	67	60	87			41	32.5	12	8			5	
20	G 3/4"	3	204	100	85	120	43.5	24.5	49.5	41.5	14	10	87	24	7	32
		2	150	83	73	103			44.5		12	8				
25	G 1"	3	204	100	85	120	52.5	30	49.5	47	14	10	105	30	7	41
		2	150	83	73	103			44.5		12	8				
32	G 1 1/4"	3	204	100	85	120	61.25	38	49.5	59.5	14	10	122.5	36	7	50
		2	150	83	73	103			44.5		12	8				
40	G 1 1/2"	3.5	230	110	98	130	69.25	44.5	53	74	19	14	138.5	43	8	55
		3	204	100	85	120			49.5		14	10				
50	G 2"	4	271	125	110	145	83	56	58	85	19	14	166	55.5	8	70
		3	204	100	85	120			49.5		14	10				

3/2-way ball valve, *continued*

Dimensions [mm]



DN	Port connection	Actuator	Weight [mm]													
			A	B	C	D	E	F	G	H	J	K	L	P	T	SW
12	G 3/8"	3	204	100	85	120	39.9	22	49.5	46.9	14	10	80	19.8	17	23
		1	137	67	60	87			41	35.9	12	8			6	
12	G 1/2"	3	204	100	85	120	39.9	22	49.5	46.9	14	10	80	19.8	17	27
		1	137	67	60	87			41	35.9	12	8			6	
15	G 3/4"	3	204	100	85	120	43.7	23	49.5	42.1	14	10	87.5	23.2	6.5	32.2
		2	150	83	73	103			44.5		12	8				
20	G 1"	3	204	100	85	120	50	32.4	49.5	46.5	14	10	100	27.2	6.5	41.5
		2	150	83	73	103			44.5		12	8				
25	G 1 1/4"	3	204	100	85	120	61.5	38.3	49.5	52.1	14	10	123	34.2	6.8	50.3
		3	204	100	85	120			49.5		14	10				
32	G 1 1/2"	3	204	100	85	120	71	43	49.5	57.4	14	10	142.2	38.3	7	57.3
		3	204	100	85	120			49.5		14	10				
40	G 2"	4	271	125	110	145	85.3	56.2	58	66	19	14	170.6	49	7	70.5
		3	204	100	85	120			49.5		14	10				

## Ordering chart for accessories



### 3/2-way pilot valves with banjo bolts

Seal material valve FKM, seal material banjo bolt NBR

Type	Pressure inlet P (valve body)	Service port A (banjo bolt)	Orifice [mm]	QNn value air [l/min]	Pressure range [bar]	Electrical coil connection Ind. Std.	Power consumption [W]	Item no.	
								024/DC	230/50
6012P	Tube fitting ø6 mm	G 1/4	1.2	48	0-10	Form B	4	552 283	552 286
6014P	G 1/4	G 1/4	2	120	0-10	Form A	8	424 103	424 107

Pilot valve with NAMUR flange see Type 0450 NAMUR, 54070 NAMUR, 6517 NAMUR and 6519 NAMUR.

### Cable Plugs


Type	Version	Item no.
2508, Plug configuration acc. to DIN EN 175301-803 Form A* 	0 - 250 V without Circuitry (Type 6014 P, Type 0331 P)	008 376
2507, Plug configuration acc. to DIN EN 175301-803 Form B* 	0 - 250 V without Circuitry (Type 6012 P)	423 845

For further versions see the datasheet for Types 2507 and Type 2508.

Click on the box "More Info" and you will be directed to our website, where you can download the datasheet for this product.

\* previously DIN 43650

### Further versions on request

-  **Additional**
- Position indication
  - Electrical-mechanical position feedback
  - Contactless position feedback