



Pressure Transmitter for continuous Control, 0 - 40 bar

- High accuracy ($\leq 0.15\%$)
- With optional display
- Scaleable measuring ranges via Turn-Down of up to 1:20
- Output signal 4 ... 20 mA, 2-wire
- Food / Pharma version (acc. to EHEDG)

Type 8326 must be combined with...



Type 2702 (8630)

Control valve with TopControl



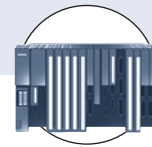
Type 2712 (1067)

Control valve with SideControl



Type 8624-2

PI- pressure controller



PLC

This pressure transmitter is designed to cover the applications where high accuracy measurement is required.

Typical applications are in the food and pharma industry and for level measurement.

The transmitter can easily be programmed with the 4 keypad.

Technical data

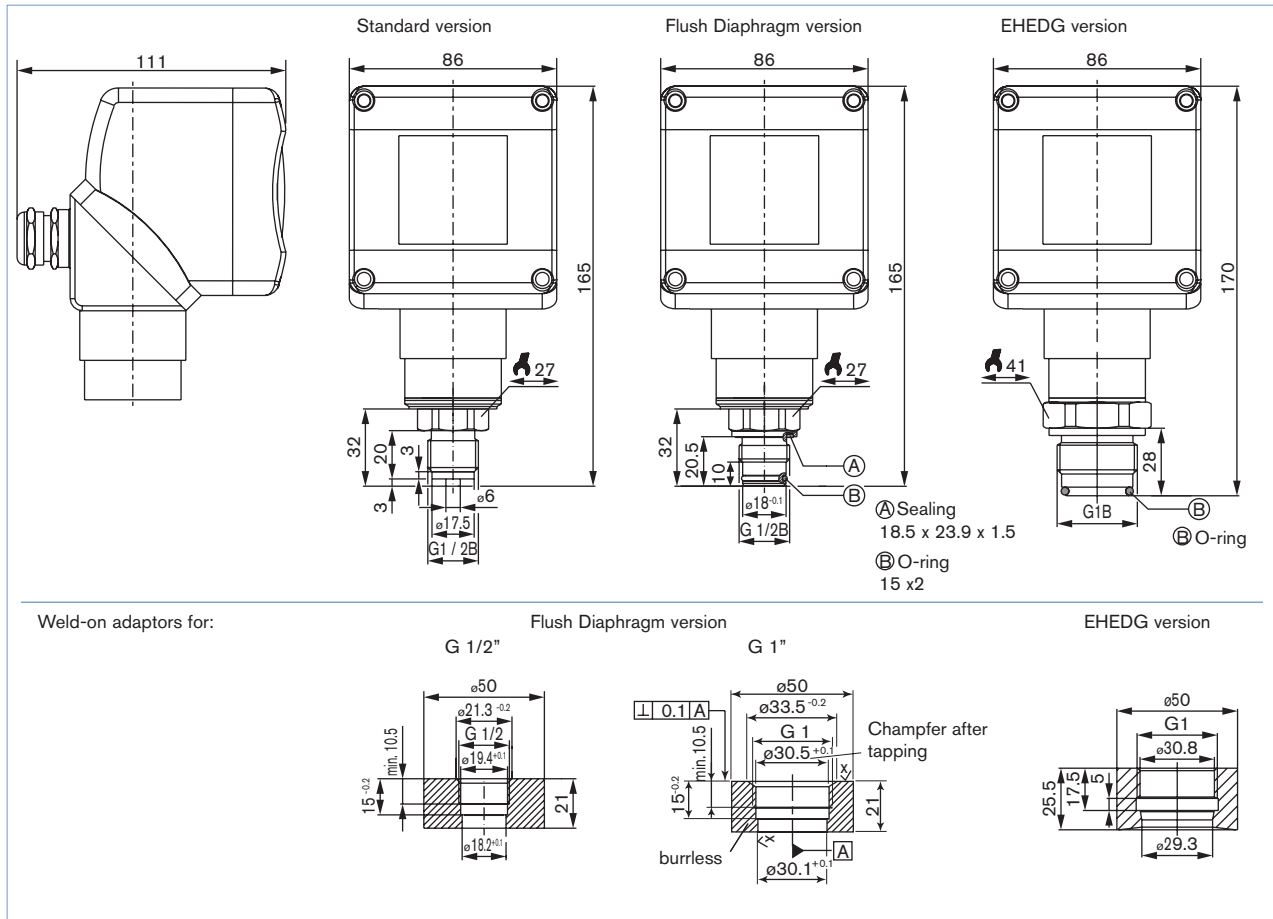
General data

Compatibility (pressure connection)	Any pipe with sensor connection
Standard version	G 1/2", NPT 1/2"
Flush Diaphragm version	G 1/2"
EHEDG version	G 1"
Materials	
Housing	PBT (fiberglass-enforced plastic)
Wetted parts	
Standard version	Stainless steel 1.4571
Flush Diaphragm version	Stainless steel 1.4571, FKM seal
EHEDG version	Stainless steel 1.4435, EPDM seal
Electrical connection	Internal terminal through cable gland M20 x 1.5
Measuring range	
Standard version	0 up to 0.4, 1.6, 16.0 or 40.0 bar
Flush Diaphragm version	0 up to 0.4, 6.0, 16.0 or 40.0 bar
EHEDG version	0 up to 0.4, 1.6 or 16.0 bar
Sensor element	piezo (≤ 16 bar) / thin film (40 bar)
Medium temperature	-30 up to 105°C
Accuracy**	$\leq 0.15\%$ of span
Behaviour with Turn-down	
Turn-down < 1:5	no change accuracy
Turn-down 1:5 to 1:20	the accuracy must be multiplied by the factor: turn-down/5
Repeatability	$\leq 0.05\%$ of full scale
Weight	approx. 0.7 kg
Environment	
Ambient temperature	-40 up to 85°C (without display); -20 up to 70°C (with display)
Standard	
Protection class	IP65
Standard	
EMC	EN50081-1; 50081-2; 50082-2
Vibration / Shock	IEC770, 5g / IEC770, 100g

** included calibration error with zero and span, hysteresis and linearity, calibrated in vertical mounting position with the pressure connection facing down.

Electrical data	
Power supply [Vs]	12 -36 V DC
Reversed polarity of DC	Protected
Overvoltage protection	Yes
Short circuit protection	Yes
Output	Standard 4-20 mA signal, 2 wires
Load in Ω	$\leq (V_s [V] - 12 [V]) / 0.023 [A]$
Adjustability: Zero / span	0 up to 99% / Turn-down of 1:20

Dimensions [mm]



Ordering chart for transmitter Type 8326

Pressure range [bar]	Pressure max. [bar]	Bursting pressure [bar]	Power supply	Seal material	Item no.			
					with display	without display	G 1/2"	NPT 1/2"
Standard version					G 1/2"	NPT 1/2"	G 1/2"	NPT 1/2"
0 - 0.4	2	2	12 - 36 V DC	-	443 281	443 285	443 320	443 324
0 - 1.6	10	10	12 - 36 V DC	-	443 282	443 286	443 321	443 325
0 - 16.0	80	80	12 - 36 V DC	-	443 283	443 287	443 322	443 326
0 - 40.0	80	100	12 - 36 V DC	-	443 284	443 288	443 323	443 327

Ordering chart for transmitter Type 8326 (continued)

Pressure range [bar]	Pressure max. [bar]	Bursting pressure [bar]	Power supply	Seal material	Item no.			
					with display	without display	with display	without display
Flush diaphragm version					G 1/2"	NPT 1/2"	G 1/2"	NPT 1/2"
0 - 0.6	35	35	12 - 36 V DC	FKM	443 289	-	443 328	-
0 - 16.0	80	80	12 - 36 V DC	FKM	443 290	-	443 329	-
0 - 40.0	80	400	12 - 36 V DC	FKM	443 291	-	443 330	-
Flush diaphragm version					G 1"	NPT 1"	G 1"	NPT 1"
0 - 0.4	2	2	12 - 36 V DC	FKM	448 315	-	-	-
EHEDG version					G 1"	NPT 1"	G 1"	NPT 1"
0 - 0.4	2	2	12 - 36 V DC	EPDM	443 292	-	443 331	-
0 - 1.6	10	10	12 - 36 V DC	EPDM	443 293	-	443 332	-
0 - 16.0	80	80	12 - 36 V DC	EPDM	443 294	-	443 333	-

 Further versions on request


Pressure

Ordering chart accessories for Type 8326

Description	Item no.
Weld-on socket for flush diaphragm standard version G 1/2"	443 295
Weld-on socket for flush diaphragm standard version G 1"	444 137
Weld-on socket for EHEDG version	443 296

In case of special application conditions,
please consult for advice.

We reserve the right to make technical
changes without notice.

0709/2_EU-en_00891810