



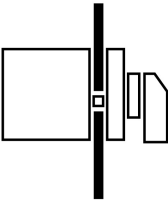
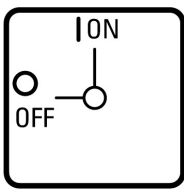
**Переключатель включения/выключения, 5-полюсн., 20 А, 90 °,  
Монтаж**

Тип **T0-3-8341/E**  
№ для закл. **013494**



Abbildung ähnlich

**Программа поставок**

|                                                               |                |                 |                                                                                                                                                                                                                                                                                                                                                                                                                                                                                                                                                                                                                                                     |  |   |   |   |   |   |   |   |   |   |   |   |   |   |   |   |   |   |   |   |   |   |   |   |   |   |   |   |   |   |    |   |   |
|---------------------------------------------------------------|----------------|-----------------|-----------------------------------------------------------------------------------------------------------------------------------------------------------------------------------------------------------------------------------------------------------------------------------------------------------------------------------------------------------------------------------------------------------------------------------------------------------------------------------------------------------------------------------------------------------------------------------------------------------------------------------------------------|--|---|---|---|---|---|---|---|---|---|---|---|---|---|---|---|---|---|---|---|---|---|---|---|---|---|---|---|---|---|----|---|---|
| Ассортимент                                                   |                |                 | Переключатель включения/выключения                                                                                                                                                                                                                                                                                                                                                                                                                                                                                                                                                                                                                  |  |   |   |   |   |   |   |   |   |   |   |   |   |   |   |   |   |   |   |   |   |   |   |   |   |   |   |   |   |   |    |   |   |
| Идентификатор типа                                            |                |                 | T0                                                                                                                                                                                                                                                                                                                                                                                                                                                                                                                                                                                                                                                  |  |   |   |   |   |   |   |   |   |   |   |   |   |   |   |   |   |   |   |   |   |   |   |   |   |   |   |   |   |   |    |   |   |
| Количество полюсов                                            |                |                 | с черной перекидной ручкой и с передней панелью                                                                                                                                                                                                                                                                                                                                                                                                                                                                                                                                                                                                     |  |   |   |   |   |   |   |   |   |   |   |   |   |   |   |   |   |   |   |   |   |   |   |   |   |   |   |   |   |   |    |   |   |
| Класс защиты                                                  |                |                 | спереди IP65                                                                                                                                                                                                                                                                                                                                                                                                                                                                                                                                                                                                                                        |  |   |   |   |   |   |   |   |   |   |   |   |   |   |   |   |   |   |   |   |   |   |   |   |   |   |   |   |   |   |    |   |   |
| Конструктивное исполнение                                     |                |                 | Монтаж                                                                                                                                                                                                                                                                                                                                                                                                                                                                                                                                                                                                                                              |  |   |   |   |   |   |   |   |   |   |   |   |   |   |   |   |   |   |   |   |   |   |   |   |   |   |   |   |   |   |    |   |   |
| графические условные обозначения                              |                |                 | <br><table border="1" data-bbox="901 929 1077 1355"> <tr> <td></td> <td>0</td> <td>1</td> </tr> <tr> <td>1</td> <td>○</td> <td>X</td> </tr> <tr> <td>2</td> <td>○</td> <td>X</td> </tr> <tr> <td>3</td> <td>○</td> <td>X</td> </tr> <tr> <td>4</td> <td>○</td> <td>X</td> </tr> <tr> <td>5</td> <td>○</td> <td>X</td> </tr> <tr> <td>6</td> <td>○</td> <td>X</td> </tr> <tr> <td>7</td> <td>○</td> <td>X</td> </tr> <tr> <td>8</td> <td>○</td> <td>X</td> </tr> <tr> <td>9</td> <td>○</td> <td>X</td> </tr> <tr> <td>10</td> <td>○</td> <td>X</td> </tr> </table> |  | 0 | 1 | 1 | ○ | X | 2 | ○ | X | 3 | ○ | X | 4 | ○ | X | 5 | ○ | X | 6 | ○ | X | 7 | ○ | X | 8 | ○ | X | 9 | ○ | X | 10 | ○ | X |
|                                                               | 0              | 1               |                                                                                                                                                                                                                                                                                                                                                                                                                                                                                                                                                                                                                                                     |  |   |   |   |   |   |   |   |   |   |   |   |   |   |   |   |   |   |   |   |   |   |   |   |   |   |   |   |   |   |    |   |   |
| 1                                                             | ○              | X               |                                                                                                                                                                                                                                                                                                                                                                                                                                                                                                                                                                                                                                                     |  |   |   |   |   |   |   |   |   |   |   |   |   |   |   |   |   |   |   |   |   |   |   |   |   |   |   |   |   |   |    |   |   |
| 2                                                             | ○              | X               |                                                                                                                                                                                                                                                                                                                                                                                                                                                                                                                                                                                                                                                     |  |   |   |   |   |   |   |   |   |   |   |   |   |   |   |   |   |   |   |   |   |   |   |   |   |   |   |   |   |   |    |   |   |
| 3                                                             | ○              | X               |                                                                                                                                                                                                                                                                                                                                                                                                                                                                                                                                                                                                                                                     |  |   |   |   |   |   |   |   |   |   |   |   |   |   |   |   |   |   |   |   |   |   |   |   |   |   |   |   |   |   |    |   |   |
| 4                                                             | ○              | X               |                                                                                                                                                                                                                                                                                                                                                                                                                                                                                                                                                                                                                                                     |  |   |   |   |   |   |   |   |   |   |   |   |   |   |   |   |   |   |   |   |   |   |   |   |   |   |   |   |   |   |    |   |   |
| 5                                                             | ○              | X               |                                                                                                                                                                                                                                                                                                                                                                                                                                                                                                                                                                                                                                                     |  |   |   |   |   |   |   |   |   |   |   |   |   |   |   |   |   |   |   |   |   |   |   |   |   |   |   |   |   |   |    |   |   |
| 6                                                             | ○              | X               |                                                                                                                                                                                                                                                                                                                                                                                                                                                                                                                                                                                                                                                     |  |   |   |   |   |   |   |   |   |   |   |   |   |   |   |   |   |   |   |   |   |   |   |   |   |   |   |   |   |   |    |   |   |
| 7                                                             | ○              | X               |                                                                                                                                                                                                                                                                                                                                                                                                                                                                                                                                                                                                                                                     |  |   |   |   |   |   |   |   |   |   |   |   |   |   |   |   |   |   |   |   |   |   |   |   |   |   |   |   |   |   |    |   |   |
| 8                                                             | ○              | X               |                                                                                                                                                                                                                                                                                                                                                                                                                                                                                                                                                                                                                                                     |  |   |   |   |   |   |   |   |   |   |   |   |   |   |   |   |   |   |   |   |   |   |   |   |   |   |   |   |   |   |    |   |   |
| 9                                                             | ○              | X               |                                                                                                                                                                                                                                                                                                                                                                                                                                                                                                                                                                                                                                                     |  |   |   |   |   |   |   |   |   |   |   |   |   |   |   |   |   |   |   |   |   |   |   |   |   |   |   |   |   |   |    |   |   |
| 10                                                            | ○              | X               |                                                                                                                                                                                                                                                                                                                                                                                                                                                                                                                                                                                                                                                     |  |   |   |   |   |   |   |   |   |   |   |   |   |   |   |   |   |   |   |   |   |   |   |   |   |   |   |   |   |   |    |   |   |
| Угол включения                                                |                | °               | 90                                                                                                                                                                                                                                                                                                                                                                                                                                                                                                                                                                                                                                                  |  |   |   |   |   |   |   |   |   |   |   |   |   |   |   |   |   |   |   |   |   |   |   |   |   |   |   |   |   |   |    |   |   |
| Режим коммутации                                              |                |                 | с фиксацией                                                                                                                                                                                                                                                                                                                                                                                                                                                                                                                                                                                                                                         |  |   |   |   |   |   |   |   |   |   |   |   |   |   |   |   |   |   |   |   |   |   |   |   |   |   |   |   |   |   |    |   |   |
| № передней панели                                             |                |                 | <br><b>FS 908</b>                                                                                                                                                                                                                                                                                                                                                                                                                                                                                                                                               |  |   |   |   |   |   |   |   |   |   |   |   |   |   |   |   |   |   |   |   |   |   |   |   |   |   |   |   |   |   |    |   |   |
| Передняя панель                                               |                |                 | 0-1                                                                                                                                                                                                                                                                                                                                                                                                                                                                                                                                                                                                                                                 |  |   |   |   |   |   |   |   |   |   |   |   |   |   |   |   |   |   |   |   |   |   |   |   |   |   |   |   |   |   |    |   |   |
| <b>Расчетная эксплуатационная мощность AC-23A, 50 - 60 Гц</b> |                |                 |                                                                                                                                                                                                                                                                                                                                                                                                                                                                                                                                                                                                                                                     |  |   |   |   |   |   |   |   |   |   |   |   |   |   |   |   |   |   |   |   |   |   |   |   |   |   |   |   |   |   |    |   |   |
| 400 В                                                         | P              | кВт             | 5.5                                                                                                                                                                                                                                                                                                                                                                                                                                                                                                                                                                                                                                                 |  |   |   |   |   |   |   |   |   |   |   |   |   |   |   |   |   |   |   |   |   |   |   |   |   |   |   |   |   |   |    |   |   |
| измеренный ток длительной нагрузки                            | I <sub>u</sub> | А               | 20                                                                                                                                                                                                                                                                                                                                                                                                                                                                                                                                                                                                                                                  |  |   |   |   |   |   |   |   |   |   |   |   |   |   |   |   |   |   |   |   |   |   |   |   |   |   |   |   |   |   |    |   |   |
| Количество блоков                                             |                | Модуль (модули) | 3                                                                                                                                                                                                                                                                                                                                                                                                                                                                                                                                                                                                                                                   |  |   |   |   |   |   |   |   |   |   |   |   |   |   |   |   |   |   |   |   |   |   |   |   |   |   |   |   |   |   |    |   |   |

**Технические характеристики**

**Общая информация**

|                         |  |  |                                                                                                |
|-------------------------|--|--|------------------------------------------------------------------------------------------------|
| Стандарты и предписания |  |  | IEC/EN 60947, VDE 0660, IEC/EN 60204, CSA, UL<br>Силовые разъединители согласно IEC/EN 60947-3 |
|-------------------------|--|--|------------------------------------------------------------------------------------------------|

|                                                                        |           |               |                                                                                                                             |
|------------------------------------------------------------------------|-----------|---------------|-----------------------------------------------------------------------------------------------------------------------------|
| Стойкость к климатическим воздействиям                                 |           |               | Влажный нагрев, постоянный, в соответствии с IEC 60068-2-78<br>Влажный нагрев, циклический, в соответствии с IEC 60068-2-30 |
| Температура окружающей среды                                           |           |               |                                                                                                                             |
| разомкнут                                                              |           | °C            | -25 - +50                                                                                                                   |
| в капсульном корпусе                                                   |           | °C            | -25 - +40                                                                                                                   |
| Категория перенапряжения / степень загрязнения                         |           |               | III/3                                                                                                                       |
| Номинальная устойчивость к импульсу                                    | $U_{imp}$ | В перем. тока | 6000                                                                                                                        |
| Удароустойчивость                                                      |           | g             | 15                                                                                                                          |
| установочное положение                                                 |           |               | любая                                                                                                                       |
| Защита от прикосновения при вертикальном управлении спереди (EN 50274) |           |               | защита от прикосновения пальцами и тыльной стороной кистей рук                                                              |

## Контакты

|                                                                                           |          |               |                                                                                      |
|-------------------------------------------------------------------------------------------|----------|---------------|--------------------------------------------------------------------------------------|
| Механические размеры                                                                      |          |               |                                                                                      |
| Количество полюсов                                                                        |          |               | 5-полюсн.                                                                            |
| электрические параметры                                                                   |          |               |                                                                                      |
| Номинальное напряжение                                                                    | $U_e$    | В перем. тока | 690                                                                                  |
| измеренный ток длительной нагрузки                                                        | $I_U$    | A             | 20                                                                                   |
| Указания по измеренному току длительной нагрузки $I_U$                                    |          |               | Измеренный ток длительной нагрузки $I_U$ указан при максимальном поперечном сечении. |
| Допустимая нагрузка при повторно-кратковременном режиме работы, класс 12                  |          |               |                                                                                      |
| AB 25 % ED (продолжительность включения)                                                  |          | $\times I_e$  | 2                                                                                    |
| AB 40 % ED (продолжительность включения)                                                  |          | $\times I_e$  | 1.6                                                                                  |
| AB 60 % ED (продолжительность включения)                                                  |          | $\times I_e$  | 1.3                                                                                  |
| стойкость к коротким замыканиям                                                           |          |               |                                                                                      |
| Предохранитель                                                                            |          | A gG/gL       | 20                                                                                   |
| Номинальная устойчивость к токовым нагрузкам при коротком замыкании (1 с ток)             | $I_{cw}$ | $A_{eff}$     | 320                                                                                  |
| Примечание по поводу измеренной кратковременной устойчивости к токовым нагрузкам $I_{cw}$ |          |               | 1-секундный ток                                                                      |
| Условный ток короткого замыкания                                                          | $I_q$    | кA            | 6                                                                                    |

## Коммутационная способность

|                                                                                           |              |               |       |
|-------------------------------------------------------------------------------------------|--------------|---------------|-------|
| Номинальный допустимый ток включения $\cos \phi$ в соответствии с IEC 60947-3             |              | A             | 130   |
| Расчетная разрывная способность $\cos \phi$ согласно IEC 60947-3                          |              | A             |       |
| 230 В                                                                                     |              | A             | 100   |
| 400/415 В                                                                                 |              | A             | 110   |
| 500 В                                                                                     |              | A             | 80    |
| 690 В                                                                                     |              | A             | 60    |
| Безопасное разъединение согласно EN 61140                                                 |              |               |       |
| между контактами                                                                          |              | В перем. тока | 440   |
| Электрические тепловые потери на контакт при $I_e$                                        |              | W             | 0.6   |
| Электрические тепловые потери на вспомогательный контакт при $I_e$ (15/230 В перем. тока) |              | W             | 0.6   |
| Механический срок службы                                                                  | Переключени: | $\times 10^6$ | > 0.4 |
| максимальная частота коммутаций                                                           | Переключени: | ч             | 1200  |
| Переменное напряжение                                                                     |              |               |       |
| АС-3                                                                                      |              |               |       |
| Расчетная рабочая мощность моторного выключателя                                          | P            | кВт           |       |
| 220 В 230 В                                                                               | P            | кВт           | 3     |
| 230 В звезда-треугольник                                                                  | P            | кВт           | 5.5   |
| 400 В 415 В                                                                               | P            | кВт           | 5.5   |
| 400 В звезда-треугольник                                                                  | P            | кВт           | 7.5   |
| 500 В                                                                                     | P            | кВт           | 5.5   |
| 500 В звезда-треугольник                                                                  | P            | кВт           | 7.5   |
| 690 В                                                                                     | P            | кВт           | 4     |
| 690 В звезда-треугольник                                                                  | P            | кВт           | 5.5   |

|                                                           |                 |                 |                                                      |
|-----------------------------------------------------------|-----------------|-----------------|------------------------------------------------------|
| Расчетный рабочий ток моторного переключателя             |                 |                 |                                                      |
| 230 В                                                     | $I_e$           | A               | 11.5                                                 |
| 230 В звезда-треугольник                                  | $I_e$           | A               | 20                                                   |
| 400 В 415 В                                               | $I_e$           | A               | 11.5                                                 |
| 400 В звезда-треугольник                                  | $I_e$           | A               | 20                                                   |
| 500 В                                                     | $I_e$           | A               | 9                                                    |
| 500 В звезда-треугольник                                  | $I_e$           | A               | 15.6                                                 |
| 690 В                                                     | $I_e$           | A               | 4.9                                                  |
| 690 В звезда-треугольник                                  | $I_e$           | A               | 8.5                                                  |
| AC-21A                                                    |                 |                 |                                                      |
| Расчетный рабочий ток силового выключателя                |                 |                 |                                                      |
| 440 В                                                     | $I_e$           | A               | 20                                                   |
| AC-23A                                                    |                 |                 |                                                      |
| Расчетная эксплуатационная мощность AC-23A, 50 - 60 Гц    |                 |                 |                                                      |
| 230 В                                                     | P               | кВт             | 3                                                    |
| 400 В 415 В                                               | P               | кВт             | 5.5                                                  |
| 500 В                                                     | P               | кВт             | 7.5                                                  |
| 690 В                                                     | P               | кВт             | 5.5                                                  |
| Расчетный рабочий ток моторного переключателя             |                 |                 |                                                      |
| 230 В                                                     | $I_e$           | A               | 13.3                                                 |
| 400 В 415 В                                               | $I_e$           | A               | 13.3                                                 |
| 500 В                                                     | $I_e$           | A               | 13.3                                                 |
| 690 В                                                     | $I_e$           | A               | 7.6                                                  |
| постоянное напряжение                                     |                 |                 |                                                      |
| DC-1, силовой выключатель Л/П = 1 мс                      |                 |                 |                                                      |
| Расчетный рабочий ток                                     | $I_e$           | A               | 10                                                   |
| Напряжение на контакт, соединенный последовательно        |                 | V               | 60                                                   |
| DC-21A                                                    |                 |                 |                                                      |
| Расчетный рабочий ток                                     | $I_e$           | A               | 1                                                    |
| Контакты                                                  |                 | Количество      |                                                      |
| DC-23A, моторный выключатель Л/П = 15 мс                  |                 |                 |                                                      |
| 24 В                                                      |                 |                 |                                                      |
| Расчетный рабочий ток                                     | $I_e$           | A               | 10                                                   |
| Контакты                                                  |                 | Количество      |                                                      |
| 48 В                                                      |                 |                 |                                                      |
| Расчетный рабочий ток                                     | $I_e$           | A               | 10                                                   |
| Контакты                                                  |                 | Количество      |                                                      |
| 60 В                                                      |                 |                 |                                                      |
| Расчетный рабочий ток                                     | $I_e$           | A               | 10                                                   |
| Контакты                                                  |                 | Количество      |                                                      |
| 120 В                                                     |                 |                 |                                                      |
| Расчетный рабочий ток                                     | $I_e$           | A               | 5                                                    |
| Контакты                                                  |                 | Количество      |                                                      |
| 240 В                                                     |                 |                 |                                                      |
| Расчетный рабочий ток                                     | $I_e$           | A               | 5                                                    |
| Контакты                                                  |                 | Количество      |                                                      |
| DC-13, управляющий переключатель Л/П = 50 мс              |                 |                 |                                                      |
| Расчетный рабочий ток                                     | $I_e$           | A               | 10                                                   |
| Напряжение на последовательно подключенный контакт        |                 | V               | 32                                                   |
| Надёжность управляющей системы при 24 В пост. тока, 10 мА | Частота отказов | $N_F$           | < 10 <sup>-5</sup> , < 1 отказа на 100000 соединений |
| <b>Поперечные сечения соединений</b>                      |                 |                 |                                                      |
| одно- или многожильные                                    |                 | мм <sup>2</sup> | 1 x (1 - 2,5)<br>2 x (1 - 2,5)                       |

|                                                        |                 |                                                                       |
|--------------------------------------------------------|-----------------|-----------------------------------------------------------------------|
| тонкопроволочный с оконечной муфтой согласно DIN 46228 | мм <sup>2</sup> | 1 x (0,75 - 2,5)<br>2 x (0,75 - 2,5)                                  |
| Соединительный винт                                    |                 | M3,5                                                                  |
| макс. начальный пусковой момент                        | Нм              | 1                                                                     |
| <b>Параметры техники безопасности</b>                  |                 |                                                                       |
| <b>указания</b>                                        |                 | Значения В10 <sub>d</sub> в соответствии с EN ISO 13849-1, таблица C1 |

## Bauartnachweis nach IEC/EN 61439

| Технические характеристики для подтверждения типа конструкции      |                  |    |                                                                                                                                                                               |
|--------------------------------------------------------------------|------------------|----|-------------------------------------------------------------------------------------------------------------------------------------------------------------------------------|
| Номинальный ток для указания потери мощности                       | I <sub>n</sub>   | A  | 20                                                                                                                                                                            |
| Потеря мощности на полюс, в зависимости от тока                    | P <sub>vid</sub> | W  | 0.6                                                                                                                                                                           |
| Потеря мощности оборудования, в зависимости от тока                | P <sub>vid</sub> | W  | 0                                                                                                                                                                             |
| Статическая потеря мощности, не зависит от тока                    | P <sub>vs</sub>  | W  | 0                                                                                                                                                                             |
| Способность отдавать потери мощности                               | P <sub>ve</sub>  | W  | 0                                                                                                                                                                             |
| Мин. рабочая температура                                           |                  | °C | -25                                                                                                                                                                           |
| Макс. рабочая температура                                          |                  | °C | 50                                                                                                                                                                            |
| <b>Проверка конструкции IEC/EN 61439</b>                           |                  |    |                                                                                                                                                                               |
| 10.2 твёрдость материалов и деталей                                |                  |    |                                                                                                                                                                               |
| 10.2.2 Коррозионная стойкость                                      |                  |    | Требования производственного стандарта выполнены.                                                                                                                             |
| 10.2.3.1 Нагревостойкость изоляции                                 |                  |    | Требования производственного стандарта выполнены.                                                                                                                             |
| 10.2.3.2 Сопротивление изоляционных материалов при обычном нагреве |                  |    | Требования производственного стандарта выполнены.                                                                                                                             |
| 10.2.3.3 Сопротивление изоляционных материалов при сильном нагреве |                  |    | Требования производственного стандарта выполнены.                                                                                                                             |
| 10.2.4 Устойчивость к ультрафиолетовому излучению                  |                  |    | По запросу                                                                                                                                                                    |
| 10.2.5 Подъём                                                      |                  |    | Не имеет значения, поскольку необходимо оценить всё коммутационное оборудование.                                                                                              |
| 10.2.6 Испытание на удар                                           |                  |    | Не имеет значения, поскольку необходимо оценить всё коммутационное оборудование.                                                                                              |
| 10.2.7 Ярлыки                                                      |                  |    | Требования производственного стандарта выполнены.                                                                                                                             |
| 10.3 Класс защиты изоляции                                         |                  |    | Не имеет значения, поскольку необходимо оценить всё коммутационное оборудование.                                                                                              |
| 10.4 Воздушные промежутки и пути утечки тока                       |                  |    | Требования производственного стандарта выполнены.                                                                                                                             |
| 10.5 Защита от удара электрическим током                           |                  |    | Не имеет значения, поскольку необходимо оценить всё коммутационное оборудование.                                                                                              |
| 10.6 Монтаж оборудования                                           |                  |    | Не имеет значения, поскольку необходимо оценить всё коммутационное оборудование.                                                                                              |
| 10.7 Внутренние электрические цепи и соединения                    |                  |    | Находится в сфере ответственности компании, монтирующей распределительные устройства.                                                                                         |
| 10.8 Подключения проводов, введённых снаружи                       |                  |    | Находится в сфере ответственности компании, монтирующей распределительные устройства.                                                                                         |
| 10.9 Свойства изоляции                                             |                  |    |                                                                                                                                                                               |
| 10.9.2 Электрическая прочность при рабочей частоте                 |                  |    | Находится в сфере ответственности компании, монтирующей распределительные устройства.                                                                                         |
| 10.9.3 Прочность по отношению к импульсному напряжению             |                  |    | Находится в сфере ответственности компании, монтирующей распределительные устройства.                                                                                         |
| 10.9.4 Проверка оболочек кабелей из изолирующего материала         |                  |    | Находится в сфере ответственности компании, монтирующей распределительные устройства.                                                                                         |
| 10.10 Нагрев                                                       |                  |    | Расчёт параметров нагрева находится в сфере ответственности компании, монтирующей распределительные устройства. Компания Eaton указывает данные по потере мощности устройств. |
| 10.11 Стойкость к коротким замыканиям                              |                  |    | Находится в сфере ответственности компании, монтирующей распределительные устройства. Соблюдать указания для коммутационных устройств.                                        |
| 10.12 Электромагнитная совместимость                               |                  |    | Находится в сфере ответственности компании, монтирующей распределительные устройства. Соблюдать указания для коммутационных устройств.                                        |
| 10.13 Механическая функция                                         |                  |    | Для устройства требования считаются выполненными, если были соблюдены данные инструкции по монтажу (IL).                                                                      |

## Технические характеристики согласно ETIM 6.0

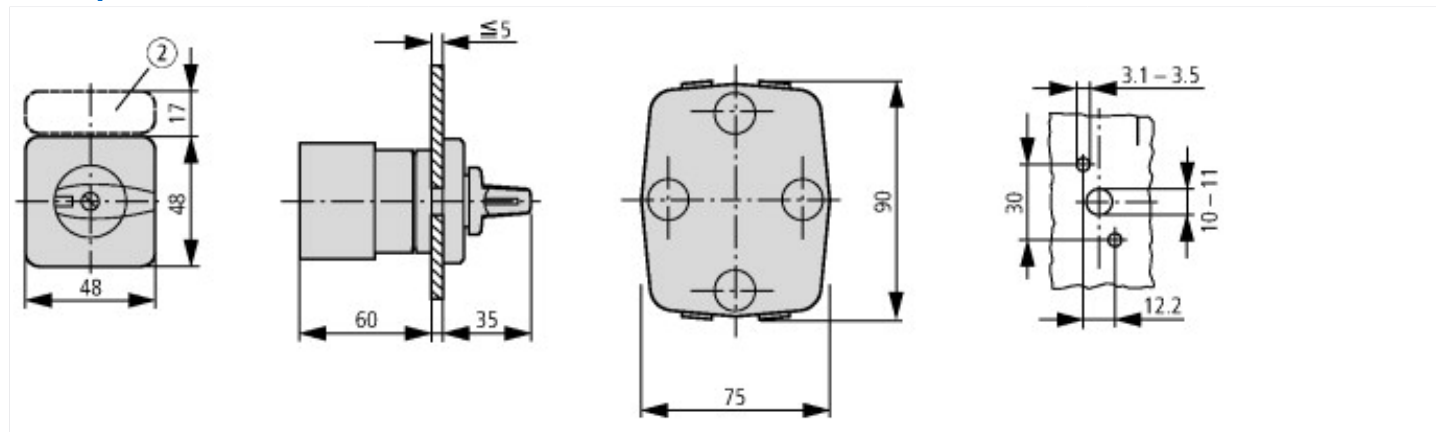
|                                                                                                                                                                                                            |
|------------------------------------------------------------------------------------------------------------------------------------------------------------------------------------------------------------|
| Low-voltage industrial components (EG000017) / Switch disconnecter (EC000216)                                                                                                                              |
| Electric engineering, automation, process control engineering / Low-voltage switch technology / Off-load switch, circuit breaker, control switch / Switch disconnecter (ec1@ss8.1-27-37-14-03 [AKF060010]) |

|                                                         |    |                                          |
|---------------------------------------------------------|----|------------------------------------------|
| Version as main switch                                  |    | No                                       |
| Version as maintenance-/service switch                  |    | No                                       |
| Version as safety switch                                |    | No                                       |
| Version as emergency stop installation                  |    | No                                       |
| Version as reversing switch                             |    | No                                       |
| Max. rated operation voltage Ue AC                      | V  | 690                                      |
| Rated operating voltage                                 | V  | 690 - 690                                |
| Rated permanent current Iu                              | A  | 20                                       |
| Rated permanent current at AC-21, 400 V                 | A  | 20                                       |
| Rated operation power at AC-3, 400 V                    | kW | 5.5                                      |
| Rated short-time withstand current Icw                  | kA | 0.32                                     |
| Rated operation power at AC-23, 400 V                   | kW | 5.5                                      |
| Switching power at 400 V                                | kW | 5.5                                      |
| Conditioned rated short-circuit current Iq              | kA | 6                                        |
| Number of poles                                         |    | 5                                        |
| Number of auxiliary contacts as normally closed contact |    | 0                                        |
| Number of auxiliary contacts as normally open contact   |    | 0                                        |
| Number of auxiliary contacts as change-over contact     |    | 0                                        |
| Motor drive optional                                    |    | No                                       |
| Motor drive integrated                                  |    | No                                       |
| Voltage release optional                                |    | No                                       |
| Device construction                                     |    | Built-in device fixed built-in technique |
| Suitable for ground mounting                            |    | No                                       |
| Suitable for front mounting 4-hole                      |    | Yes                                      |
| Suitable for front mounting center                      |    | No                                       |
| Suitable for distribution board installation            |    | No                                       |
| Suitable for intermediate mounting                      |    | No                                       |
| Colour control element                                  |    | Black                                    |
| Type of control element                                 |    | Toggle                                   |
| Interlockable                                           |    | No                                       |
| Type of electrical connection of main circuit           |    | Screw connection                         |
| Degree of protection (IP), front side                   |    | IP65                                     |

## Апробации

|                                                |  |                                                                           |
|------------------------------------------------|--|---------------------------------------------------------------------------|
| Стандарты продукта                             |  | UL 508; CSA-C22.2 No. 14-05; CSA-C22.2 No. 94; IEC/EN 60947-3; CE marking |
| Номер документа UL                             |  | E36332                                                                    |
| Номер категории контроля UL                    |  | NLRV                                                                      |
| Номер документа CSA                            |  | 12528                                                                     |
| Номер класса CSA                               |  | 3211-05                                                                   |
| North America Certification                    |  | UL listed, CSA certified                                                  |
| Спроектировано специально для Северной Америки |  | Yes, in combination with "+NA" (105864)                                   |
| Пригоден для                                   |  | Branch circuits, suitable as motor disconnect                             |
| Degree of Protection                           |  | IEC: IP65; UL/CSA Type 1, 12                                              |

## Размеры



② Держатели ZFS... не входят в комплект поставки