

## Type EP 501

Electropneumatic positioner and process controller  
Elektropneumatischer Positioner und Prozessregler  
Positionneur et régulateur de process électropneumatique



## Quickstart

English    Deutsch    Français

We reserve the right to make technical changes without notice.  
Technische Änderungen vorbehalten.  
Sous réserve de modifications techniques.

Operating Instructions 1710/03\_EU-ML\_00806130 / Original DE

<b>1 QUICKSTART</b> .....	<b>5</b>	<b>8 OPERATION</b> .....	<b>12</b>
1.1 Definition of term “device”.....	5	8.1 Description of the operating and display elements.....	12
<b>2 SYMBOLS</b> .....	<b>5</b>	8.2 Function of the keys.....	13
<b>3 INTENDED USE</b> .....	<b>6</b>	<b>9 OPERATING STATES</b> .....	<b>14</b>
3.1 Restrictions.....	6	9.1 Changing the operating state.....	14
<b>4 BASIC SAFETY INSTRUCTIONS</b> .....	<b>6</b>	9.2 Displays in AUTOMATIC mode.....	14
<b>5 GENERAL INFORMATION</b> .....	<b>7</b>	9.3 Master code.....	15
5.1 Scope of supply.....	7	<b>10 OPERATING LEVELS</b> .....	<b>16</b>
5.2 Contact address.....	7	10.1 Switching between the operating levels.....	16
5.3 Warranty.....	7	<b>11 ATTACHMENT AND ASSEMBLY</b> .....	<b>16</b>
5.4 Information on the internet.....	7	11.1 Installation of devices for the hazardous area.....	16
<b>6 DESCRIPTION OF SYSTEM</b> .....	<b>8</b>	11.2 Attachment to a proportional valve with rotary actuator.....	16
6.1 General description.....	8	<b>12 EXTERNAL PATH SENSOR</b> .....	<b>18</b>
6.2 Designs.....	8	12.1 Connection of external position sensors for type EP 501 L.....	19
6.3 Structure of the device.....	9	<b>13 PNEUMATIC CONNECTION</b> .....	<b>19</b>
<b>7 TECHNICAL DATA</b> .....	<b>9</b>	13.1 Safety end positions.....	20
7.1 Conformity.....	9	<b>14 ELECTRICAL INSTALLATION</b> .....	<b>22</b>
7.2 Standards.....	9	14.1 Safety instructions.....	22
7.3 Operating conditions.....	9	14.2 Electrical installation with cable gland.....	22
7.4 Type labels.....	10	14.3 Terminal assignment for cable gland - positioner Type EP 501.....	23
7.5 Mechanical data.....	10	14.4 Terminal assignment for cable gland - process controller Type EP 501 C.....	24
7.6 Electrical data.....	10	14.5 Terminal assignment for cable gland - Typ EP 501 L.....	25
7.7 Pneumatic data.....	11		

<b>15 PROFIBUS DP</b> .....	<b>25</b>
15.1 Designation of the circular connectors and contacts Type EP 501 P.....	25
15.2 Electrical Installation PROFIBUS.....	26
15.3 Electrical connection PROFIBUS.....	28
<b>16 START-UP</b> .....	<b>28</b>
16.1 Safety instructions.....	28
16.2 Starting-up Type EP 501.....	28
16.3 Start-up Type EP 501 C.....	30
<b>17 PACKAGING, TRANSPORT, STORAGE</b> .....	<b>32</b>
<b>18 DISPOSAL</b> .....	<b>32</b>

## 1 QUICKSTART

Quickstart describes the entire life cycle of the device. Keep these instructions in a location which is easily accessible to every user and make these instructions available to every new owner of the device.

### Important Safety Information!

Read Quickstart carefully and thoroughly. Study in particular the chapters entitled „Intended use“ and „Basic safety instructions“.

- ▶ Quickstart must be read and understood.

Quickstart explains, for example, how to install and start-up the device.

A detailed description of the device can be found in the operating instructions for positioner Type EP 501 / EP 501 C.



The operating instructions can be found on the enclosed CD and on the Internet at:

[www.ebro-armaturen.com](http://www.ebro-armaturen.com)

### 1.1 Definition of term “device”

The term “device” used in these instructions always stands for the Type EP 501 / EP 501 C / EP 501 L.

## 2 SYMBOLS

The following symbols are used in these instructions.



### DANGER!

#### Warns of an immediate danger!

- ▶ Failure to observe the warning may result in a fatal or serious injury.



### WARNING!

#### Warns of a potentially dangerous situation!

- ▶ Failure to observe the warning may result in a serious or fatal injury.



### CAUTION!

#### Warns of a possible danger!

- ▶ Failure to observe this warning may result in a medium or minor injury.

### NOTE!

#### Warns of damage to property!



Important tips and recommendations.



refers to information in these operating instructions or in other documentation.

→ designates a procedure which you must carry out.

### 3 INTENDED USE

**Incorrect use of the device can be dangerous to people, nearby equipment and the environment.**

The device is designed for the open-loop control and closed-loop control of media.

- ▶ In the potentially explosion-risk area the device may be used only according to the specification on the separate Ex type label. For use observe the additional information enclosed with the device together with safety instructions for the explosion-risk area.
- ▶ Devices without a separate Ex type label may not be used in a potentially explosive area.
- ▶ The device must not be exposed to direct sunlight.
- ▶ Pulsating direct voltage (rectified alternating voltage without smoothing) must not be used as operating voltage.
- ▶ During use observe the permitted data, the operating conditions and conditions of use specified in the contract documents and operating instructions, as described in chapter [“Description of System”](#) - [“Technical Data”](#) in this manual and in the valve manual for the respective pneumatically actuated valve.
- ▶ The device may be used only in conjunction with third-party devices and components recommended and authorised by Ebro.
- ▶ In view of the wide range of possible application cases, check whether the device is suitable for the specific application case and check this out if required.
- ▶ Correct transportation, correct storage and installation and careful use and maintenance are essential for reliable and faultless operation.
- ▶ Use the device only as intended.

#### 3.1 Restrictions

If exporting the system/device, observe any existing restrictions.

### 4 BASIC SAFETY INSTRUCTIONS

These safety instructions do not make allowance for any

- contingencies and events which may arise during the installation, operation and maintenance of the devices.
- local safety regulations – the operator is responsible for observing these regulations, also with reference to the installation personnel.



#### **Danger – high pressure!**

- ▶ Before loosening the pneumatic lines and valves, turn off the pressure and vent the pneumatic lines.

#### **Risk of electric shock!**

- ▶ Before reaching into the device or the equipment, switch off the operating voltage and secure to prevent reactivation!
- ▶ Observe applicable accident prevention and safety regulations for electrical equipment!

#### **Risk of burns/risk of fire if used continuously through hot device surface!**

- ▶ Keep the device away from highly flammable substances and media and do not touch with bare hands.

#### **General hazardous situations.**

To prevent injury, ensure that:

- ▶ That the system cannot be activated unintentionally.
- ▶ The device may be operated only when in perfect condition and in consideration of the operating instructions.
- ▶ Installation and repair work may be carried out by authorised technicians only and with the appropriate tools.

- ▶ After an interruption in the operating voltage or pneumatic supply, ensure that the process is restarted in a defined or controlled manner.
- ▶ Do not supply the supply pressure connection of the system with aggressive or flammable mediums.
- ▶ Do not supply the supply pressure connection with any liquids.
- ▶ Do not put any loads on the housing (e.g. by placing objects on it or standing on it).
- ▶ Do not make any external modifications to the device housings. Do not paint the housing parts or screws.
- ▶ The general rules of technology apply to application planning and operation of the device.

#### NOTE!

##### Electrostatic sensitive components / modules!

The device contains electronic components which react sensitively to electrostatic discharge (ESD). Contact with electrostatically charged persons or objects is hazardous to these components. In the worst case scenario, they will be destroyed immediately or will fail after start-up.

- Observe the requirements in accordance with EN 61340-5-1 to minimise or avoid the possibility of damage caused by sudden electrostatic discharge!
- Also ensure that you do not touch electronic components when the operating voltage is present!

## 5 GENERAL INFORMATION

### 5.1 Scope of supply

Generally the product package consists of:  
The device and the associated operating instructions



We will provide you with attachment kits for linear actuator or rotary actuators as accessories.

If there are any discrepancies, please contact us immediately.

### 5.2 Contact address

**Germany** EBRO ARMATUREN Gebr. Bröer GmbH  
Karlstraße 8  
D-58135 Hagen  
Tel. + 49 (0) 2331 - 904 0  
Fax + 49 (0) 2331 - 904 111  
E-mail: [post@ebro-armaturen.com](mailto:post@ebro-armaturen.com)

#### International

International contact addresses can be found on the internet at:  
[www.ebro-armaturen.com](http://www.ebro-armaturen.com)

### 5.3 Warranty

The warranty is only valid if the device is used as intended in accordance with the specified application conditions.

### 5.4 Information on the internet

The operating instructions and data sheets for the device can be found on the Internet at: [www.ebro-armaturen.com](http://www.ebro-armaturen.com)

## **6 DESCRIPTION OF SYSTEM**

### **6.1 General description**

The positioner Type EP 501 / process controller Type EP 501 C is a digital, electro-pneumatic position controller for pneumatically actuated proportional valves. The device incorporates the main function groups

- Position sensor
- Microprocessor electronics
- Electro-pneumatic control system

The position sensor measures the current positions of the proportional valve.

The microprocessor electronics continuously compare the current position (actual value) with a set-point position value specified via the standard signal input and supplies the result to the positioner/process controller. If there is a control difference, the electro-pneumatic control system corrects the actual position accordingly.

The device is operated with a 128 x 64 dot matrix graphics display and a keypad with 4 keys.

## **6.2 Designs**

### **6.2.1 Type EP 501, positioner**

The position of the actuator is regulated according to the position set-point value. The position set-point value is specified by an external standard signal (or via field bus).

### **6.2.2 Type EP 501 C, process controller**

Type EP 501 C also features a PID controller which, apart from actual position control, can also be used to implement process control (e.g. level, pressure, flow rate, temperature) in the sense of a cascade control.

The process controller is linked to a control circuit. The position set-point value of the valve is calculated from the process set-point value and the actual process value via the control parameters (PID controller). The process set-point value can be set by an external signal.

### **6.2.3 Type EP 501 L remote operation with external position sensor**

In case of this model, type EP 501 C has no internal position sensor in the form of a rotary position sensor, but is connected to an external 4–20 mA remote sensor. As this is connected via the analog interface, type EP 501 L can be operated as a positioner (position controller) only.



### 6.3 Structure of the device

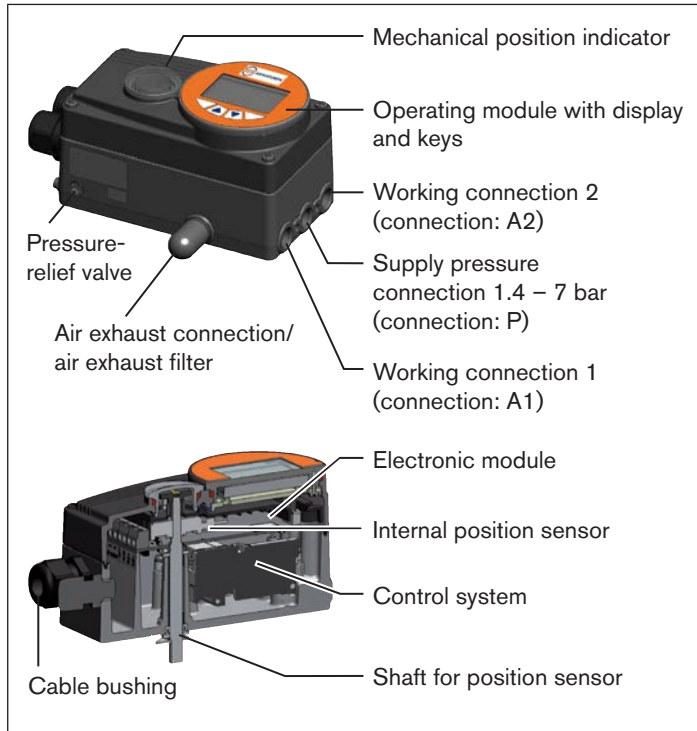


Fig. 1: Structure Type EP 501 / EP 501 C

## 7 TECHNICAL DATA

### 7.1 Conformity

In accordance with the Declaration of conformity, Type EP 501 / EP 501 C / EP 501 L is compliant with the EC Directives.

### 7.2 Standards

The applied standards, which verify conformity with the EC Directives, can be found on the EC-Type Examination Certificate and / or the EC Declaration of Conformity.

### 7.3 Operating conditions

#### NOTE!

**If used outside, the device may be exposed to direct sunlight and temperature fluctuations which may cause malfunctions or leaks!**

- If the device is used outdoors, do not expose it unprotected to the weather conditions.
- Ensure that the permitted ambient temperature does not exceed the maximum value or drop below the minimum value.

Environmental temperature The permitted temperature range is given on the type label of the device.

Degree of Protection: IP 65 / IP 67\* according to EN 60529 (only if cables, plugs and sockets have been connected correctly).

\* If the device is used under IP 67 conditions, the ventilation must be removed and the exhaust air conducted into the dry area (see „Fig. 1“)

## 7.4 Type labels

### Description of standard type label:

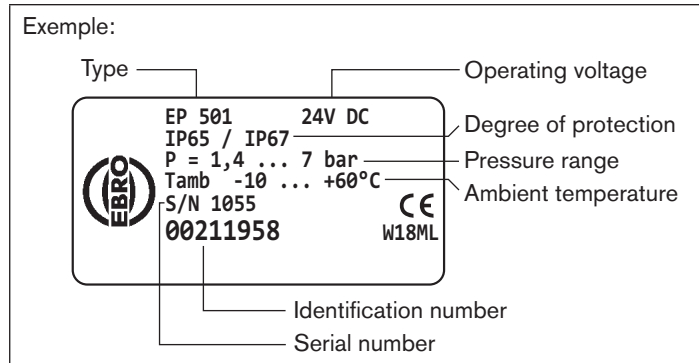


Fig. 2: Exemple standard type label

### Description of additional label for Ex approval:

Devices, which may be used in the explosion-protected area, are identified by the additional label for the Ex approval.

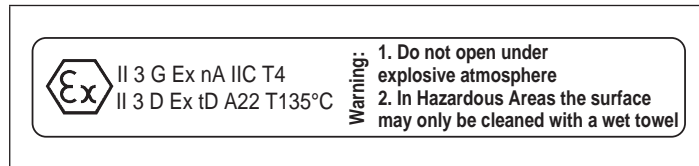


Fig. 3: Additional label for Ex approval

## 7.5 Mechanical data

Dimensions	See data sheet
Mass	approx. 1.0 kg
Material	
Housing material	Plastic-coated aluminium
Other external parts	Stainless steel (V4A), PC, PE, POM, PTFE
Sealing material	EPDM, NBR, FKM

## 7.6 Electrical data

Protection class	3 in accordance with VDE 0580
Connections	2 cable glands (M20 x 1.5) with screw-type terminals 0.14 – 1.5 mm <sup>2</sup> or circular plug-in connector
Operating voltage	24 V DC ± 10% max. residual ripple 10%
Power consumption	< 5 W
Input data for actual value signal	
4 ... 20 mA:	Input resistance 180 Ω
	Resolution 12 bit
Frequency:	Measuring range 0 ... 1000 Hz
	Input resistance 17 kΩ
	Resolution 1‰ vom Messwert,
	Input signal > 300 mV <sub>ss</sub>
	Signal form Sine, rectangle, triangle
Pt 100:	Measuring range -20 ... +220 °C
	Resolution < 0,1 °C
	Measurement current < 1 mA

Input data for set-point value signal	
0/4 ... 20 mA:	Input resistance 180 Ω Resolution 12 bit
0 ... 5/10 V:	Input resistance 19 kΩ Resolution 12 bit
Analogue feedback	
max. current	10 mA (for voltage output 0 ... 5/10 V)
Burden (load)	0 ... 560 Ω (for voltage output 0/4 ... 20 mA)
Inductive proximity switches	
	100 mA current limit
Binary outputs	
Current limiting	galvanically isolated 100 mA, output is clocked if overload occurs
Binary input	
	galvanically isolated 0 ... 5 V = log „0“, 10 ... 30 V = log „1“ inverted input in reverse order (input current < 6 mA)

## 7.7 Pneumatic data

Control medium	Quality classes in accordance with DIN ISO 8573-1
Dust content	Class 5, max. particle size 40 μm, max. particle density 10 mg/m <sup>3</sup>
Water content	Class 3, max. pressure dew point - 20 °C or min. 10 degrees below the lowest operating temperature
Oil content	Class 5, max. 25 mg/m <sup>3</sup>
Temperature range of compressed air	0 ... +60 °C
Pressure range	1.4 – 7 bar
Air flow rate	95 l <sub>N</sub> / min (at 1.4 bar*) for aeration and deaeration 150 l <sub>N</sub> / min (at 6 bar*) for aeration and deaeration (Q <sub>Nh</sub> = 100 l <sub>N</sub> / min (according to definition for pressure drop from 7 to 6 bar absolute)).
Connections	Internal thread G1/4"

\* Pressure specifications: Overpressure with respect to atmospheric pressure

## 8 OPERATION

### 8.1 Description of the operating and display elements

#### Display elements of the process level:

Save symbol

Symbol for position control

Symbol for process control

Symbol for the AUTOMATIC operating state

Other symbols are displayed according to the activated functions. See operating instructions Type EP 501

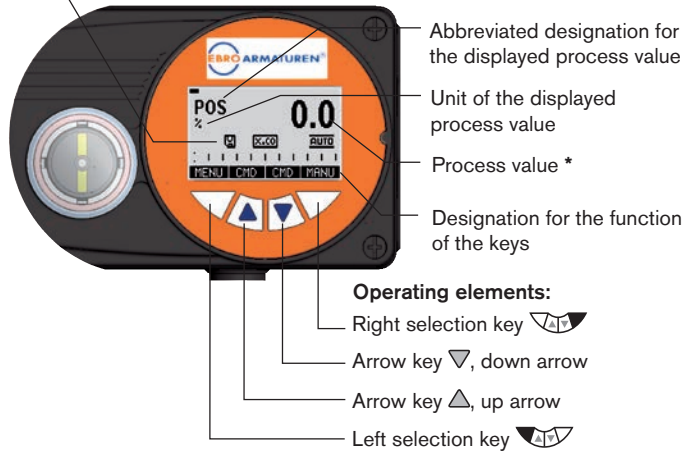


Fig. 4: Display elements of the process level; operating elements

#### Display elements of the setting level:

Menu designation

Submenu

Designation for the function of the keys

#### Operating elements:

Description see "Fig. 4"

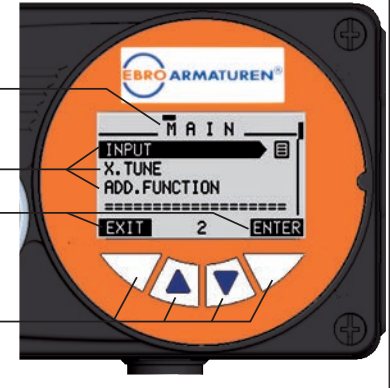


Fig. 5: Display elements of the setting level

The display is adjusted to the set functions and operating levels. In principle, a distinction can be made between the display view for the process level and the setting level. When the operating voltage has been applied, the process level is displayed.

\* The process values which can be displayed in the AUTOMATIC operating state depend on type. A detailed description can be found in the operating instructions for the device.

## 8.2 Function of the keys

The function of the 4 keys in the control field differs depending on the operating state (AUTOMATIC or MANUAL) and operating level (process level or setting level).

The key function which is active is displayed in the gray text field which is above the key.

Key function on the process level:			
Key	Key function	Description of the function	Operating state
Arrow key ▲	OPN (OPEN)	Manual opening of the actuator	MANUAL
		Change the displayed value (e.g. POS-CMD-TEMP-...)	AUTOMATIC
Arrow key ▼	CLS (CLOSE)	Manual closing of the actuator	MANUAL
		Change the displayed value (e.g. POS-CMD-TEMP-...)	AUTOMATIC
Selection key ▲▼	MENU	Change to the setting level Note: Press key for approx. 3 s.	AUTOMATIC or MANUAL
Selection key ▲▼	AUTO	Return to AUTOMATIC operating state	MANUAL
	MANUAL	Change to MANUAL operating state	AUTOMATIC

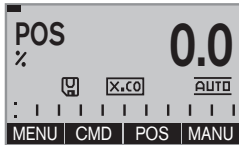
Key function on the setting level:		
Key	Key function	Description of the function
Arrow key ▲		Scroll up in the menus
	+	Increase numerical values
Arrow key ▼		Scroll down in the menus
	-	Decrease numerical values
	< -	Change by one digit to the left; when entering numerical values
Selection key ▲▼	EXIT (BACK)	Return to the process level
		Gradually return from a submenu option
	ESC	Leave a menu
	STOP	Stop a sequence
Selection key ▲▼	ENTER SELEC OK INPUT	Select, activate or deactivate a menu option
	EXIT (BACK)	Gradually return from a submenu option
	RUN	Start a sequence
	STOP	Stop a sequence

Tab. 1: Function of the keys

## 9 OPERATING STATES

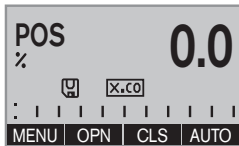
The device has 2 operating states:  
AUTOMATIC and MANUAL.

### AUTOMATIC



In the AUTOMATIC operating state normal controlled operation is implemented.  
(The symbol for AUTOMATIC **AUTO** is shown on the display. A bar runs along the top of the display).

### MANUAL



In the MANUAL operating state the valve can be manually opened or closed via the arrow keys  $\blacktriangle$   $\blacktriangledown$  (key function **OPN** and **CLS** ).  
(The symbol for AUTOMATIC **AUTO** is hidden. No bar running along the top of the display).

### 9.1 Changing the operating state

Change to MANUAL operating state (only available for process value display: POS, CMD, PV, SP)	<b>MANU</b>	press
Return to AUTOMATIC operating state	<b>AUTO</b>	press

### 9.2 Displays in AUTOMATIC mode

Type EP 501	Description of the display	Type EP501 C
	Actual position of the valve actuator (0 – 100%)	
	Set-point position of the valve actuator (0 – 100%)	
	Internal temperature in the housing of the positioner ( °C)	

## Type EP 501

### Operating states



Type EP 501	Description of the display	Type EP501 C
	Graphical display of <i>SP</i> and <i>PV</i> with time axis	
	Graphical display of <i>POS</i> and <i>CMD</i> with time axis	
	Input signal for set-point position (0 – 5/10 V / 0/4 – 20 mA)	
	Time, weekday and date	
	Automatic adjustment of the positioner (position controller)	
	Automatic optimization of the process controller parameters	

Type EP 501	Description of the display	Type EP501 C
	Automatic linearization of the process characteristics	
	Simultaneous display of the set-point position and the actual position of the valve actuator (0 – 100 %)	

### 9.3 Master code

Operation of the device can be locked via a freely selectable user code. In addition, there is a non-changeable master code with which you can perform all operator control actions on the device. This 4-digit master code can be found on the last pages of these operating instructions in the chapter “*Master code*”.

If required, cut out the code and keep it separate from these operating instructions.

## 10 OPERATING LEVELS

There is the process level and the setting level for the operation and setting of the device.

### Process level:

The running process is displayed and operated on this level.

Operating state: AUTOMATIC – Displays of the process data  
 MANUAL – Manual opening and closing of the valve

### Setting level:


The basic settings for the process are made on this level.

Inputting the operating parameters  
 Activating auxiliary functions



If the device is in the AUTOMATIC operating state when changing to the setting level, the process continues running during the setting.

### 10.1 Switching between the operating levels

Change to the setting level	<b>MENU</b>	 Press for 3 seconds
Return to the process level	<b>EXIT</b>	 press briefly

## 11 ATTACHMENT AND ASSEMBLY

### 11.1 Installation of devices for the hazardous area

When installing devices in the explosion-protected area, observe the “Additional information for use in the hazardous area” enclosed with the Ex-devices.

### 11.2 Attachment to a proportional valve with rotary actuator

The shaft of the position sensor integrated in the positioner is connected directly to the shaft of the rotary actuator.



### WARNING!

#### Risk of injury from improper installation!

- ▶ Installation may be carried out by authorised technicians only and with the appropriate tools!

#### Risk of injury from unintentional activation of the system and an uncontrolled restart!

- ▶ Secure system from unintentional activation.
- ▶ Following assembly, ensure a controlled restart.

### Procedure:

- Specify the attachment position of the device:
  - parallel to the actuator or
  - rotated by 90° to the actuator.
- Determine home position and direction of rotation of the actuator.
- Connect adapter to the shaft of the device and secure with 2 setscrews.





### Anti-twist safeguard:

#### Note the flat side of the shaft!

One of the setscrews must be situated on the flat side of the shaft as an anti-twist safeguard (see „Fig. 6“).

### Rotation range of the position sensor:

The maximum rotation range of the position sensor is 180°.

The shaft of the Type EP 501/EP 501 C may be moved within this range only.

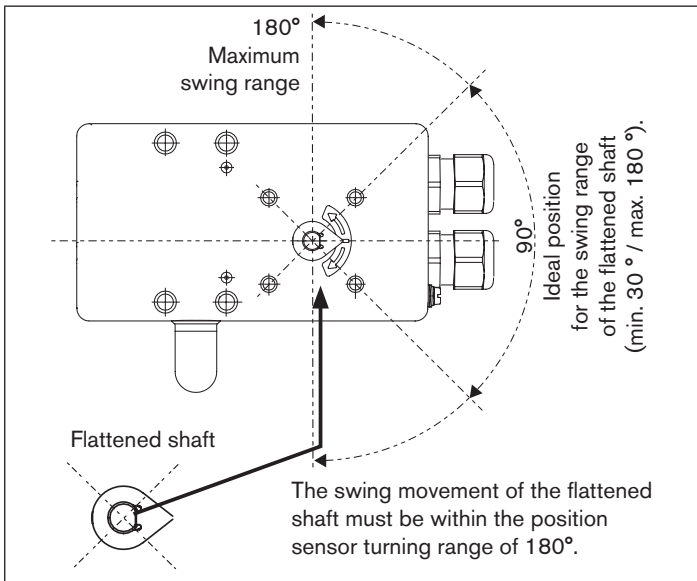


Fig. 6: Rotation range / anti-twist safeguard

- Assemble the multi-part assembly bridge\* suitable for the actuator.
- Attach the assembly bridge to the Type EP 501/EP 501 C using 4 cheese-head screws ③ and circlips ④ (see „Fig. 7“).

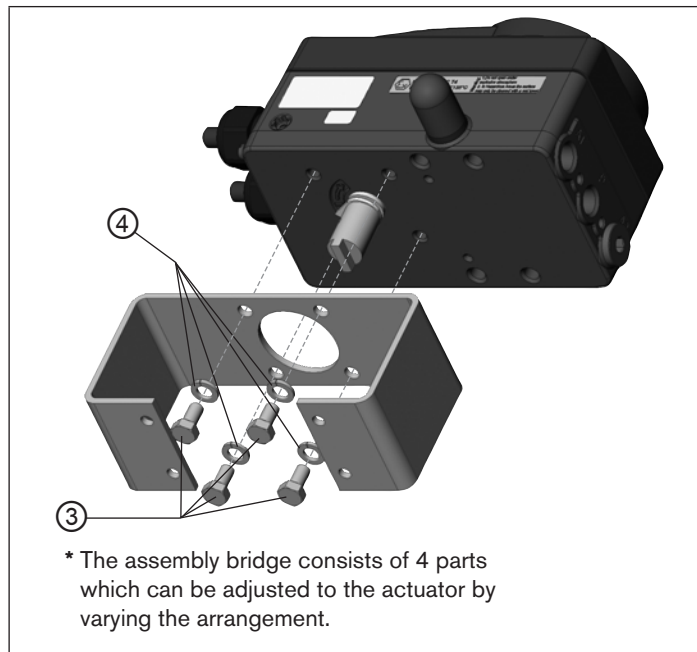


Fig. 7: Attach assembly bridge (schematic representation)

→ Place Type EP 501/EP 501 C with assembly bridge on the rotary actuator and attach (see „Fig. 8“).

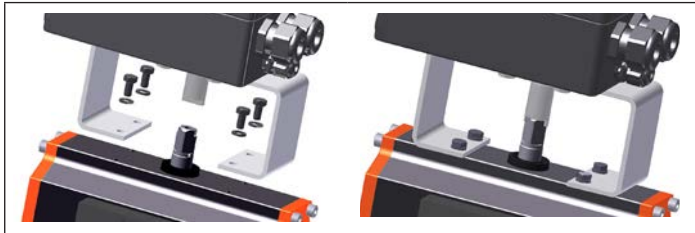


Fig. 8: Rotary actuator attachment

**!** If the X.TUNE ERROR 5 message is indicated on the graphics display after the X.TUNE function starts, the shaft of the Type EP 501 / EP 501 C is not correctly aligned with the shaft of the actuator.

- Check alignment (as described previously in this chapter).
- Then repeat the X.TUNE function.

## 12 EXTERNAL PATH SENSOR

In case of this model, type EP 501 C has no internal position sensor in the form of a rotary position sensor, but is connected to an external 4–20 mA remote sensor. As this is connected via the analog interface, type EP 501 L can be operated as a positioner (position controller) only.

Type	Interface	Sensor	Setting in the menu (ADD.FUNCTION)
EP 501 L	analog (4 – 20 mA) *	Any, high-resolution path sensor	POS.SENSOR → ANALOG

Tab. 2: Connection of external position sensors for type EP 501 L

In principle, any path sensor with a 4 – 20 mA output can be connected which has an adequate resolution of the path signal.

Good control properties are obtained if the resolution of the path sensor allows at least 1000 measuring steps over the path to be measured.

Example: Path sensor with 150 mm measurement range  
Of which used measurement range (= stroke) 100 mm  
Required minimum resolution of the sensor:

$$\frac{100 \text{ mm}}{1000 \text{ Steps}} = 0.1 \text{ mm}$$

### 12.1 Connection of external position sensors for type EP 501 L

→ Connect 4 – 20 mA path sensor to the terminals 1 - 4 of the type EP 501 L (see chapter „14.5.1 Terminal assignments of the process actual value input“).

Internal supply of the path sensor by Type EP 501 L:

→ Connection according to input type “4 – 20 mA - internally supplied”.

Separate supply of the path sensor:

→ Connection according to input type “4 – 20 mA - externally supplied”.

→ Attach remote sensor on the actuator.

The correct procedure is described in the instructions for the path sensor.

→ Connect compressed air to the Type EP 501 L.

→ Connect Type EP 501 L pneumatically to the actuator.

→ Switch on Type EP 501 L operating voltage.

→ To obtain the best possible control precision, adjust the path sensor so that path to be measured corresponds to the signal range 4 – 20 mA (only if the path sensor includes this function).

→ In the *ADD.FUNCTION* menu activate the *POS.SENSOR* function. Then select *POS.SENSOR* in the main menu and set *ANALOG*.

The procedure is described in the operating instructions for the device in the chapter “Starting up and operation of the process controller / auxiliary functions / *POS.SENSOR*”.

→ Run the *X.TUNE* function.

### 13 PNEUMATIC CONNECTION



#### DANGER!

#### Risk of injury from high pressure in the equipment!

- ▶ Before loosening the pneumatic lines and valves, turn off the pressure and vent the pneumatic lines.



#### WARNING!

#### Risk of injury from improper installation!

- ▶ Installation may be carried out by authorized technicians only and with the appropriate tools!

#### Risk of injury from unintentional activation of the system and an uncontrolled restart!

- ▶ Secure system from unintentional activation.
- ▶ Following installation, ensure a controlled restart.

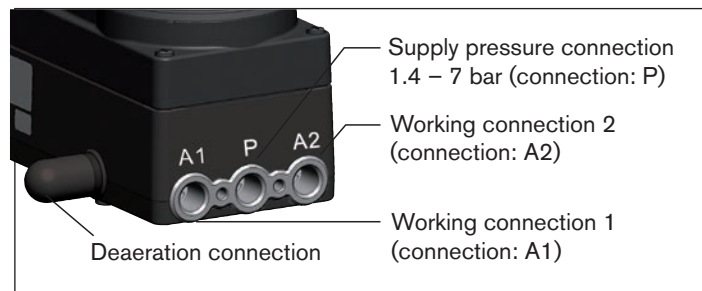


Fig. 9: Pneumatic installation / Location of the connections

**Procedure:**

→ Apply supply pressure (1.4 – 7 bar) to the supply pressure connection P.

**For single-acting actuators (control function A and B):**

→ Connect one working connection (A1 or A2, depending on required safety end position) to the chamber of the single-acting actuator.

Safety end positions see chapter „13.1.1“.

→ Seal a working connection which is not required with a plug.

**For double-acting actuators (control function I):**

→ Connect working connections A1 and A2 to the respective chambers of the double-acting actuator.

Safety end positions see chapter „13.1.2“.



**Important information for perfect control behaviour!**

This ensures that the control behaviour is not extremely negatively affected in the upper stroke range on account of too little pressure difference.

- keep the applied supply pressure at least 0.5 – 1 bar above the pressure which is required to move the pneumatic actuator to its end position.

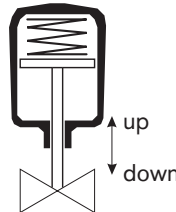
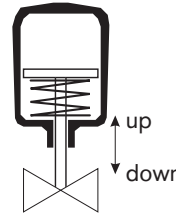
If fluctuations are greater, the control parameters measured with the X.TUNE function are not optimum.

- during operation keep the fluctuations of the supply pressure as low as possible (max. ±10%).

**13.1 Safety end positions**

The safety end position following failure of the auxiliary electrical power depends on the pneumatic connection of the actuator to the working connections A1 or A2.

**13.1.1 Single-acting actuators**

Actuator system	Safety end positions after failure of the	
	electrical auxiliary power	pneumatic auxiliary power
 Control function A	down → Connection according to „Fig. 10“	down
	up → Connection according to „Fig. 11“	
 Control function B	up → Connection according to „Fig. 10“	up
	down → Connection according to „Fig. 11“	

Tab. 3: Safety end positions - single-acting actuators

**Single-acting actuators - control function A or B**



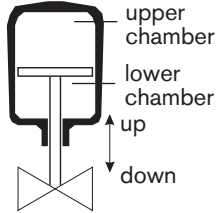
 <p>Connection: working connection A1 to actuator A2 sealing</p>	 <p>Connection: working connection A2 to actuator A1 sealing</p>
--	---

Fig. 10: Connection A1

Fig. 11: Connection A2

### 13.1.2 Double-acting actuators

Actuator system	Safety end positions after failure of the	
	electrical auxiliary power	pneumatic auxiliary power
 <p>Control function I</p>	<p>→ Connection according to „Fig. 12“</p> <hr/> <p>up = lower chamber of the actuator to A2</p> <hr/> <p>down = upper chamber of the actuator to A2</p>	not defined

Tab. 4: Safety end positions - double-acting actuators

**Double-acting actuators - Control function I**



	<p>Connection: Working connection A1 and A2 to actuator</p> <p>Safety end position: up = lower chamber to A2 down = upper chamber to A2</p>
--	---

Fig. 12: Connection with CFI

## 14 ELECTRICAL INSTALLATION

 Descriptions for the electrical connection of the PPOFIBUS-DP design can be found in Chapter „15 PROFIBUS DP“

### 14.1 Safety instructions

 **DANGER!**

#### Risk of injury due to electrical shock!

- ▶ Before reaching into the device or the equipment, switch off the operating voltage and secure to prevent reactivation!
- ▶ Observe applicable accident prevention and safety regulations for electrical equipment!

 **WARNING!**


#### Risk of injury from improper installation!

- ▶ Installation may be carried out by authorized technicians only and with the appropriate tools!

#### Risk of injury from unintentional activation of the system and an uncontrolled restart!

- ▶ Secure system from unintentional activation.
- ▶ Following installation, ensure a controlled restart.

### 14.2 Electrical installation with cable gland

 **Using the 4 – 20 mA set-point value input**  
 If several devices of Type EP 501/EP 501 C are connected in series and the power supply to a device in this series connection fails, the input of the failed device becomes highly resistive. As a result, the 4 – 20 mA standard signal fails. In this case please contact EBRO Service directly.

#### 14.2.1 Connection board with screw-type terminals

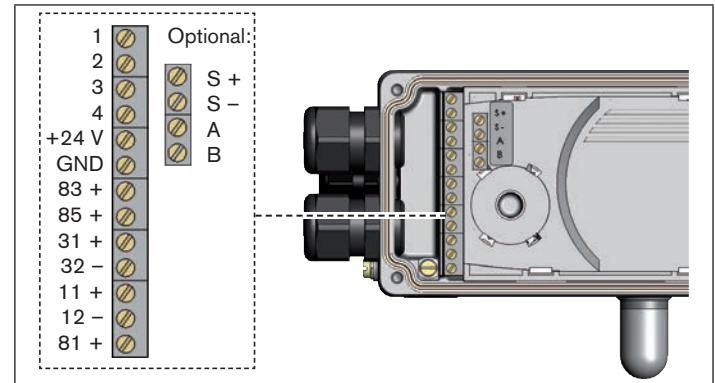


Fig. 13: Designation of the screw-type terminals

#### Procedure:

- Unscrew the 4 screws on the housing cover and remove the cover. The screw-type terminals are now accessible.
- Connect the device. The procedure is described in the following chapters.

### 14.3 Terminal assignment for cable gland - positioner Type EP 501

#### 14.3.1 Input signals from the control centre (e.g. PLC)

Terminal	Configuration	On the device side	External circuit / Signal level
11 +	Set-point value +	11 +	+ (0/4 ... 20 mA or 0 ... 5 / 10 V) completely galvanically isolated
12 -	Set-point value GND	12 -	GND Set-point value
81 +	Binary input +	81 +	+ $\begin{cases} 0 \dots 5 \text{ V (log. 0)} \\ 10 \dots 30 \text{ V (log. 1)} \end{cases}$ specific to operating voltage GND (terminal GND)

Tab. 5: Terminal assignment; input signals of the control centre

#### 14.3.2 Output signals to the control centre (e.g. PLC) (required for analogue output and/or binary output option only)

→ Connect terminals according to the model (options) of the positioner.

Terminal	Configuration	On the device side	External circuit / Signal level
83 +	Binary output 1	83 +	24 V / 0 V, NC / NO specific to operating voltage GND (terminal GND)
85 +	Binary output 2	85 +	24 V / 0 V, NC / NO specific to operating voltage GND (terminal GND)
31 +	Analogue feedback +	31 +	+ (0/4 ... 20 mA or 0 ... 5 / 10 V) completely galvanically isolated
32 -	Analogue feedback GND	32 -	GND Analogue feedback

Tab. 6: Terminal assignment; output signals to the control centre

#### 14.3.3 Operating voltage

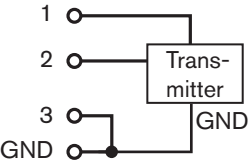
Terminal	Configuration	On the device side	External circuit / Signal level
+24 V	Operating voltage +	+24 V	24 V DC ± 10 % max. residual ripple 10 %
GND	Operating voltage GND	GND	

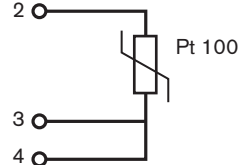
Tab. 7: Terminal configuration; operating voltage

### 14.4 Terminal assignment for cable gland - process controller Type EP 501 C

→ First connect the process controller as described in chapter „14.3 Terminal assignment for cable gland - positioner Type EP 501“ .

#### 14.4.1 Terminal assignments of the process actual value input

Input type*	Terminal	Configuration	On the device side	External circuit
4 ... 20 mA, internally supplied	actual value	1	+24 V Input transmitter	
		2	Output from transmitter	
		3	Bridge to GND (Terminal GMD from operating voltage)	
		4	not used	
	GND	GND from operating voltage		
4 ... 20 mA, externally supplied	actual value	1	not used	2 ○ — + (4...20 mA)
		2	Process actual +	3 ○ — GND
		3	Process actual -	
		4	not used	

Input type*	Terminal	Configuration	On the device side	External circuit
Frequency, internally supplied	actual value	1	+24 V sensor supply	1 ○ — +24 V
		2	Clock input +	2 ○ — Clock +
		3	not used	
		4	Clock input -	4 ○ — Clock -
	GND	GND from operating voltage	GND ○ — Clock - (GND)	
Frequency, externally supplied	actual value	1	not used	
		2	Clock input +	2 ○ — Clock +
		3	not used	
		4	Clock input -	4 ○ — Clock -
Pt 100 see information**	actual value	1	not used	
		2	Process actual 1 (Power supply)	
		3	Process actual 3 (GND)	
		4	Process actual 2 (Compensation)	

\*Can be adjusted via software (see Operating Instructions, chapter „Specifying the standard settings“).

Tab. 8: Terminal assignments of the process actual value input



\*\* Connect the Pt 100 sensor via 3 cables for cable compensation reasons. It is essential to bridge Pin 3 and Pin 4 on the sensor.



When the operating voltage is applied, the process controller is operating.

→ Now make the required basic settings and actuate the automatic adjustment of the process controller. The procedure is described in chapter „16.3 Start-up Type EP 501 C“.

### 14.5 Terminal assignment for cable gland – Type EP 501 L

→ First connect the device as described in chapter „14.3 Terminal assignment for cable gland - positioner Type EP 501“.

#### 14.5.1 Terminal assignments of the process actual value input

Input type*	Terminal	Configuration	On the device side	External circuit
4 ... 20 mA, internally supplied	actual value	1	+24 V Input transmitter	
		2	Output from transmitter	
		3	Bridge to GND (Terminal GMD from operating voltage)	
		4	not used	
	GND	GND from operating voltage		
4 ... 20 mA, externally supplied	actual value	1	not used	
		2	Process actual +	
		3	Process actual –	
		4	not used	

## 15 PROFIBUS DP

### 15.1 Designation of the circular connectors and contacts Type EP 501 P

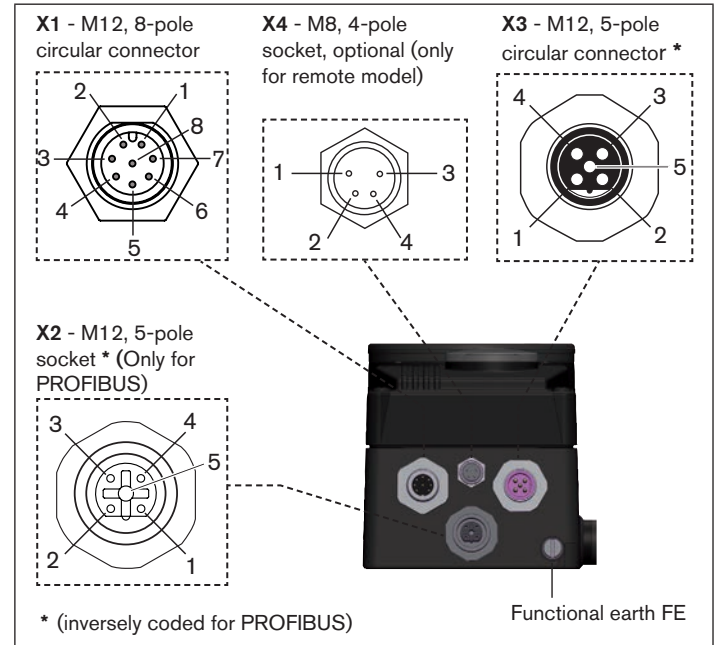


Fig. 14: PROFIBUS DP circular connectors and contacts - Type EP 501 P

## 15.2 Electrical Installation PROFIBUS



### DANGER!

#### Risk of injury due to electrical shock!

- ▶ Before reaching into the device or the equipment, switch off the operating voltage and secure to prevent reactivation!
- ▶ Observe applicable accident prevention and safety regulations for electrical equipment!



### WARNING!

#### Risk of injury from improper installation!

- ▶ Installation may be carried out by authorized technicians only and with the appropriate tools!

#### Risk of injury from unintentional activation of the system and an uncontrolled restart!

- ▶ Secure system from unintentional activation.
- ▶ Following installation, ensure a controlled restart.





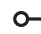

### NOTE!

#### Electromagnetic compatibility (EMC) is only ensured if the appliance is connected correctly to an earthing point.

On the outside of the housing is a TE terminal for connection of the technical earth (TE).


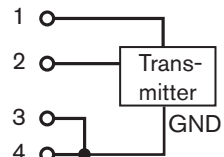

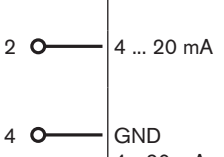

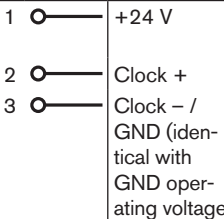
- Connect the TE terminal to the earthing point via a shortest possible cable (maximum length 30 cm).


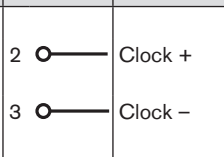

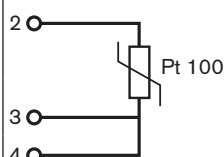
### 15.2.1 X1 - M12, 8-pole circular connector

Pin	Configuration	On the device side	External circuit / Signal level
1	not used		
2	not used		
<b>Operating voltage</b>			
3	GND	3 	24 V DC ± 10 %
4	+24 V	4 	max. residual ripple 10 %
<b>Input signals of the control centre (e.g. PLC)</b>			
5	Binary input +	5 	+ $\begin{cases} 0 \dots 5 \text{ V} & (\text{log. } 0) \\ 10 \dots 30 \text{ V} & (\text{log. } 1) \end{cases}$
6	Binary input -	6 	GND (identical with Pin 3)
<b>Output signals to the control centre (e.g. PLC) - only used for binary output option</b>			
7	Binary output 1 (referring to Pin 3)	7 	0 ... 24 V
8	Binary output 2 (referring to Pin 3)	8 	0 ... 24 V

Tab. 9: Pin assignment; X1 - M12, 8-pole circular connector PROFIBUS DP


15.2.2 X5 - M8, 4-pole circular connector - process actual value (Type EP 501 C)

Input type**	Pin	Configuration	DIP-switches***	On the device side	External circuit
4 ... 20 mA, internally supplied	1 2 3 4	(brown)* +24 V transmitter supply (white)* Output from transmitter (blue)* GND (identical with GND operating voltage) (black)* Bridge to GND (Pin 3)	 Switch on left		
4 ... 20 mA, externally supplied	1 2 3 4	(brown)* not used (white)* Process actual + (blue)* not used (black)* Process actual -	 Switch on right		
Frequency, internally supplied	1 2 3 4	(brown)* +24 V sensor supply (white)* Clock input (blue)* Clock input - (GND) (black)* not used	 Switch on left		

Input type**	Pin	Configuration	DIP-switches***	On the device side	External circuit
Frequency, externally supplied	1 2 3 4	(brown)* not used (white)* Clock input + (blue)* Clock input - (black)* not used	 Switch on right		
Pt 100 (see information below)	1 2 3 4	(brown)* not used (white)* Process actual 1 (power supply) (blue)* Process actual 3 (GND) (black)* Process actual 2 (compensation)	 Switch on right		

\* The wire colours indicated in brackets refer to the connection cable, part no. 918718, available as an accessory.  
 \*\* Can be adjusted via software (see Operating Instructions, chapter „Specifying the standard settings“).  
 \*\*\* The switch is inside the device on the PCB

Plug assignments; PROFIBUS DP  
 X5 -M8, 4-pole circular connector - process actual value input  
 (Type EP 501 C)

 Connect the Pt 100 sensor via 3 cables for cable compensation reasons.  
 It is essential to bridge Pin 3 and Pin 4 on the sensor.

### 15.3 Electrical connection PROFIBUS

To operate the appliance, the following must be connected:

- **X1** - circular connector M12, 8-pole (operating voltage see „Tab. 9“) and
- **X2** - socket M12, 5-pole, inversely coded (PROFIBUS DP see „Tab. 10“).

#### 15.3.1 X2/X3 - M12, 5-pole socket/circular connector - bus connection

Pin	Configuration	External circuit / Signal level
1	VP+5	Supply the terminating resistors
2	RxD/TxD-N	Received/transmitted data -N, A-line
3	DGND	Data transmission potential (earth to 5 V)
4	RxD/TxD-P	Received/transmitted data -P, B-line
5	Shielding	Shielding / protective earth

Tab. 10: Pin assignment PROFIBUS DP; X2/X3 - M12, 5-pole circular connector/socket - bus connection, PROFIBUS DP

When the operating voltage is applied, the device is activated.

→ Now make the required basic settings:

**Positioner:**

see „[16.2.1 Specifying the standard settings](#)“

**Process controller:**

see „[16.3.1 Basic settings of the process controller](#)“

## 16 START-UP

### 16.1 Safety instructions



**WARNING!**

**Risk of injury from improper operation!**

Improper operation may result in injuries as well as damage to the device and the area around it.

- ▶ Before start-up, ensure that the operating personnel are familiar with and completely understand the contents of the operating instructions.
- ▶ Observe the safety instructions and intended use.
- ▶ Only adequately trained personnel may operate the equipment/ the device.

### 16.2 Starting-up Type EP 501

#### 16.2.1 Specifying the standard settings



The basic settings are made on the setting level.

To change from the process to the setting level, press the **MENU** key for approx. 3 seconds.

You must make the following basic settings for starting up:

- Setting the input signal (INPUT)
- Automatic adjustment of the positioner (X.TUNE)

### Input the input signal (INPUT)

→ In the *INPUT* menu option select the input signal for the set-point value.  
(4 ... 20 mA, 0 ... 20 mA, 0 ... 10 V or 0 ... 5 V).

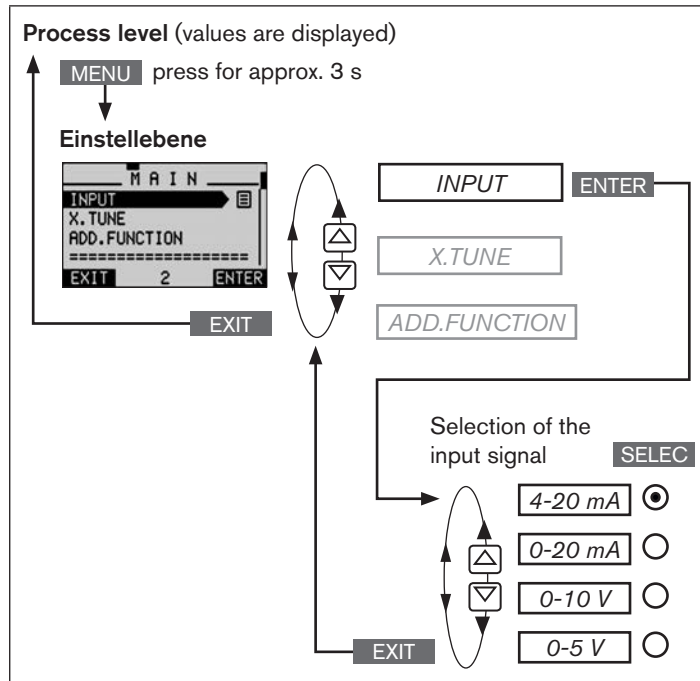


Fig. 15: Operating structure *INPUT*; Input the signal

### Automatic adjustment of the positioner to the operating conditions (*X.TUNE*)



#### WARNING!

**Danger due to the valve position changing when the *X:TUNE* function is run!**

When the *X.TUNE* function is run under operating pressure, there is an acute risk of injury.

- ▶ Never run *X.TUNE* while the process is running!
- ▶ Secure system from unintentional activation!


#### NOTE!

**An incorrect supply pressure or incorrectly connected operating medium pressure may cause the controller to be wrongly adjusted!**




- ▶ Run *X.TUNE* in **each case** at the supply pressure available in subsequent operation (= pneumatic auxiliary power).
- Run the *X.TUNE* function preferably **without** operating medium pressure to exclude interference due to flow forces.

The following functions are actuated automatically:



- Adjustment of the sensor signal to the (physical) stroke of the actuator used.
- Determination of parameters of the PWM signals to control the solenoid valves integrated in the device.
- Setting of the controller parameters of the positioner. Optimization occurs according to the criteria of the shortest possible transient time with simultaneous freedom from overshoot.

 To stop *X.TUNE*, press the left or right selection key **STOP**.

**Procedure:**

Key	Action	Description
<b>MENU</b>	 press for approx. 3 s	Change from process level ⇌ setting level
▲ / ▼	Select <i>X.TUNE</i>	
<b>RUN</b>	Hold down  as long as countdown (5 ...) is running	During the automatic adjustment messages are displayed indicating the progress of the <i>X.TUNE</i> " <i>TUNE #1... X.TUNE ready</i> ".
	Press any key	Return to main menu (MAIN)
<b>EXIT</b>	 press	Change from setting level ⇌ process level

Tab. 11: Automatic adjustment of *X.TUNE*

 You have to exit the main menu by pressing the left selection key **EXIT** before the modified data is saved in the memory (EEPROM). During the save process the save symbol is indicated  on the display.

### 16.3 Start-up Type EP 501 C





To be able to operate the positioner as a process controller, perform the following steps:

**1. Setting up the position controller:**

Description see [„16.2.1 Specifying the standard settings“](#)

**2. Setting up the process controller:**

→ Enter the *P.CONTROL* auxiliary function into the main menu (MAIN) via the configuration menu (*ADD.FUNCTION*).

Key	Action
<b>MENU</b>	 press for approx. 3 s
▲ / ▼	Select <i>ADD.FUNCTION</i>
<b>ENTER</b>	 press
▲ / ▼	Select <i>P.CONTROL</i>
<b>ENTER</b>	 press
<b>EXIT</b>	 press

The *P.CONTROL* function is now activated and entered in the main menu (MAIN).

Tab. 12: Enter the *P.CONTROL* auxiliary function into the main menu (MAIN)

### 16.3.1 Basic settings of the process controller

→ In the main menu (MAIN) select the P.CONTROL function and make the basic settings.

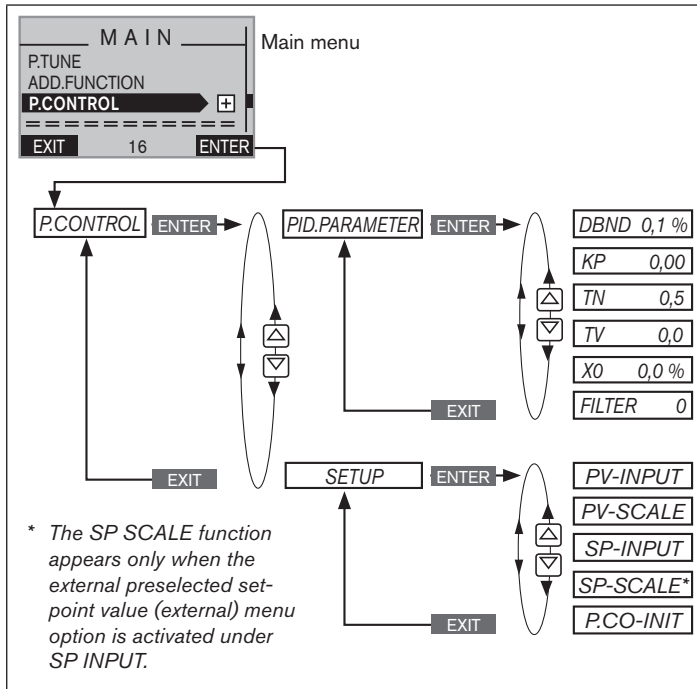


Fig. 16: Operating structure - basic settings of the process controller

### P.CONTROL - settings:

PID.PARAMETER	Parameter settings of the process controller
DBND 0,1 %	Insensitivity area of the PID process controller
KP 0,00	Amplification factor of the process controller
TN 0,5	Reset time
TV 0,0	Hold-back time
X0 0,0 %	Operating point
FILTER 0	Filtering of the process actual value input
<b>SETUP</b> Setting up the process controller:	
PV-INPUT	Indication of the signal type for process actual value
PV-SCALE	Scaling the process controller
SP-INPUT	Type of the set-point value default (internal or external)
SP-SCALE*	Scaling the position controller (for external set-point value default only)
P.CO-INIT	Enables a smooth switchover between AUTO-MATIC and MANUAL operating state

Tab. 13: Basic settings of the process controller

**!** Parameters can be set automatically with the aid of the P.TUNE function (description see "Operating instructions for Type EP 501").

### 16.3.2 Manually changing the process set-point value

Procedure:

#### 1. Set the internal preselected set-point value on the setting level:

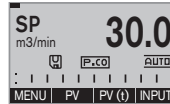
In the main menu (MAIN) select the *P.CONTROL* function



→ Return to the process level via the **EXIT** button (press 4 x).

#### 2. Manually change the process set-point value on the process level:

→ Using the arrow keys  $\Delta$   $\nabla$ , select the display for the process set-point value (SP).



→ Press the **INPUT** button..

→ Input process set-point value (as described in the image on the right).

SET VALUE

SP: 70.0

[m3/min] +070.0

ESC + <- OK

**Inputting values:**

Changeable number

Accept set value

Change by one place to the left

Increase number

Return without change

Fig. 17: Inputting values

## 17 PACKAGING, TRANSPORT, STORAGE

### NOTE!

#### Transport damages!

Inadequately protected equipment may be damaged during transport.

- During transportation protect the device against wet and dirt in shock-resistant packaging.
- Avoid exceeding or dropping below the allowable storage temperature.

#### Incorrect storage may damage the device.

- Store the device in a dry and dust-free location!
- Storage temperature. -20 – +65 °C.

## 18 DISPOSAL

→ Dispose of the device and packaging in an environmental friendly manner.

### NOTE!

#### Damage to the environment caused by device components contaminated with media.

- ▶ Observe applicable regulations on disposal and the environment.



#### Note:

Observe national waste disposal regulations.



<b>1</b>	<b>DER QUICKSTART</b> .....	<b>35</b>	<b>8</b>	<b>BEDIENUNG</b> .....	<b>42</b>
1.1	Begriffsdefinition Gerät.....	35	8.1	Beschreibung der Bedien- und Anzeigeelemente.....	42
<b>2</b>	<b>DARSTELLUNGSMITTEL</b> .....	<b>35</b>	8.2	Funktion der Tasten.....	43
<b>3</b>	<b>BESTIMMUNGSGEMÄSSE VERWENDUNG</b> .....	<b>36</b>	<b>9</b>	<b>BETRIEBSZUSTÄNDE</b> .....	<b>44</b>
3.1	Beschränkungen.....	36	9.1	Wechsel des Betriebszustands.....	44
<b>4</b>	<b>GRUNDLEGENDE SICHERHEITSHINWEISE</b> .....	<b>37</b>	9.2	Anzeigen im AUTOMATIK-Betrieb.....	45
<b>5</b>	<b>ALLGEMEINE HINWEISE</b> .....	<b>38</b>	9.3	Mastercode.....	46
5.1	Lieferumfang.....	38	<b>10</b>	<b>BEDIENEbenen</b> .....	<b>46</b>
5.2	Kontaktadresse.....	38	10.1	Wechsel zwischen den Bedienebenen.....	46
5.3	Gewährleistung.....	38	<b>11</b>	<b>ANBAU UND MONTAGE</b> .....	<b>47</b>
5.4	Informationen im Internet.....	38	11.1	Montage von Geräten für den Ex-Bereich.....	47
<b>6</b>	<b>SYSTEMBESCHREIBUNG</b> .....	<b>38</b>	11.2	Anbau an ein Stetigventil mit Schwenkantrieb.....	47
6.1	Allgemeine Beschreibung.....	38	<b>12</b>	<b>EXTERNER WEGSENSOR</b> .....	<b>49</b>
6.2	Ausführungen.....	38	12.1	Anschluss externer Wegsensor.....	49
6.3	Aufbau des Geräts.....	39	<b>13</b>	<b>PNEUMATISCHER ANSCHLUSS</b> .....	<b>50</b>
<b>7</b>	<b>TECHNISCHE DATEN</b> .....	<b>40</b>	13.1	Sicherheitsendlagen.....	51
7.1	Konformität.....	40	<b>14</b>	<b>ELEKTRISCHE INSTALLATION</b> .....	<b>52</b>
7.2	Normen.....	40	14.1	Sicherheitshinweise.....	52
7.3	Betriebsbedingungen.....	40	14.2	Elektrische Installation mit Kabelverschraubung.....	53
7.4	Typschilder.....	40	14.3	Klemmenbelegung bei Kabelverschraubung – Positioner Typ EP 501.....	53
7.5	Mechanische Daten.....	41	14.4	Klemmenbelegung bei Kabelverschraubung – Prozessregler Typ EP 501 C.....	54
7.6	Elektrische Daten.....	41	14.5	Klemmenbelegung bei Kabelverschraubung – Typ EP 501 L.....	55
7.7	Pneumatische Daten.....	42			

<b>15 PROFIBUS DP</b> .....	<b>56</b>
15.1 Bezeichnung der Rundsteckverbinder und Kontakte Typ EP 501 P.....	56
15.2 Elektrische Installation PROFIBUS.....	56
15.3 Elektrischer Anschluss PROFIBUS.....	58
<b>16 INBETRIEBNAHME</b> .....	<b>59</b>
16.1 Sicherheitshinweise.....	59
16.2 Inbetriebnahme Typ EP 501.....	59
16.3 Inbetriebnahme Typ EP 501 C.....	61
<b>17 VERPACKUNG, TRANSPORT, LAGERUNG</b> .....	<b>63</b>
<b>18 ENTSORGUNG</b> .....	<b>63</b>

## 1 DER QUICKSTART

Der Quickstart beschreibt den gesamten Lebenszyklus des Geräts. Bewahren Sie diese Anleitung so auf, dass sie für jeden Benutzer gut zugänglich ist und jedem neuen Eigentümer des Geräts wieder zur Verfügung steht.


### Wichtige Informationen zur Sicherheit!

Lesen Sie den Quickstart sorgfältig durch. Beachten Sie vor allem die Kapitel „[Bestimmungsgemäße Verwendung](#)“ und „[Grundlegende Sicherheitshinweise](#)“.

- ▶ Der Quickstart muss gelesen und verstanden werden.

Der Quickstart erläutert beispielhaft die Montage und Inbetriebnahme des Geräts.

Die ausführliche Beschreibung des Geräts finden Sie in der Bedienungsanleitung für den Typ EP 501 / EP 501 C.

 Die Bedienungsanleitung finden Sie auf der beigelegten CD oder im Internet unter:

[www.ebro-armaturen.com](http://www.ebro-armaturen.com)

### 1.1 Begriffsdefinition Gerät

Der in dieser Anleitung verwendete Begriff „Gerät“ steht immer für Typ EP 501, Typ EP 501 C oder Typ EP 501 L

## 2 DARSTELLUNGSMITTEL

In dieser Anleitung werden folgende Darstellungsmittel verwendet.

### **GEFAHR!**

**Warnt vor einer unmittelbaren Gefahr!**

- ▶ Bei Nichtbeachtung sind Tod oder schwere Verletzungen die Folge.

### **WARNUNG!**

**Warnt vor einer möglicherweise gefährlichen Situation!**

- ▶ Bei Nichtbeachtung können schwere Verletzungen oder Tod die Folge sein.


### **VORSICHT!**


**Warnt vor einer möglichen Gefährdung!**

- ▶ Nichtbeachtung kann mittelschwere oder leichte Verletzungen zur Folge haben.

### **HINWEIS!**

**Warnt vor Sachschäden!**

 Wichtige Tipps und Empfehlungen.

 verweist auf Informationen in dieser Bedienungsanleitung oder in anderen Dokumentationen.

→ markiert einen Arbeitsschritt, den Sie ausführen müssen.

### 3 BESTIMMUNGSGEMÄSSE VERWENDUNG

**Bei nicht bestimmungsgemäßem Einsatz des Geräts können Gefahren für Personen, Anlagen in der Umgebung und für die Umwelt entstehen.**

Das Gerät ist konzipiert für die Steuerung und Regelung von Medien.

- ▶ Im explosionsgefährdeten Bereich darf das Gerät nur entsprechend der Spezifikation auf dem separaten Ex-Typschild eingesetzt werden. Für den Einsatz muss die dem Gerät beiliegende Zusatzinformation mit Sicherheitshinweisen für den Ex-Bereich beachtet werden.
- ▶ Geräte ohne separates Ex-Typschild dürfen nicht im explosionsgefährdeten Bereich eingesetzt werden.
- ▶ Das Gerät darf nicht der direkten Sonneneinstrahlung ausgesetzt werden.
- ▶ Als Betriebsspannung darf keine pulsierende Gleichspannung (gleichgerichtete Wechselspannung ohne Glättung) verwendet werden.
- ▶ Für den Einsatz sind die in den Vertragsdokumenten und der Bedienungsanleitung spezifizierten zulässigen Daten, Betriebs- und Einsatzbedingungen zu beachten, die im Kapitel [„Systembeschreibung“](#) - [„Technische Daten“](#) dieser Anleitung und in der Ventilanleitung für das jeweilige pneumatisch betätigte Ventil beschrieben sind.
- ▶ Das Gerät darf nur in Verbindung mit von Ebro empfohlenen bzw. zugelassenen Fremdgeräten und -komponenten eingesetzt werden.

- ▶ Prüfen Sie angesichts der Vielzahl möglicher Einsatz- und Verwendungsfälle, ob das Gerät für den konkreten Einsatzfall geeignet ist und testen Sie dies falls erforderlich aus.
- ▶ Voraussetzungen für den sicheren und einwandfreien Betrieb sind sachgemäßer Transport, sachgemäße Lagerung und Installation sowie sorgfältige Bedienung und Instandhaltung.
- ▶ Setzen Sie das Gerät nur bestimmungsgemäß ein.

#### 3.1 Beschränkungen

Beachten Sie bei der Ausfuhr des Systems/Geräts gegebenenfalls bestehende Beschränkungen.

## 4 GRUNDLEGENDE SICHERHEITSHINWEISE

Diese Sicherheitshinweise berücksichtigen keine

- Zufälligkeiten und Ereignisse, die bei Montage, Betrieb und Wartung der Geräte auftreten können.
- ortsbezogenen Sicherheitsbestimmungen, für deren Einhaltung, auch in Bezug auf das Montagepersonal, der Betreiber verantwortlich ist.



### Gefahr durch hohen Druck!

- ▶ Vor dem Lösen von Leitungen oder Ventilen den Druck abschalten und Leitungen entlüften.

### Gefahr durch elektrische Spannung!

- ▶ Vor Eingriffen in das Gerät oder die Anlage Spannung abschalten und vor Wiedereinschalten sichern!
- ▶ Die geltenden Unfallverhütungs- und Sicherheitsbestimmungen für elektrische Geräte beachten!

### Verbrennungsgefahr/Brandgefahr bei Dauerbetrieb durch heiße Geräteoberfläche!

- ▶ Das Gerät von leicht brennbaren Stoffen und Medien fernhalten und nicht mit bloßen Händen berühren.

### Allgemeine Gefahrensituationen.

Zum Schutz vor Verletzungen ist zu beachten:

- ▶ Dass die Anlage nicht unbeabsichtigt betätigt werden kann.
- ▶ Das Gerät darf nur in einwandfreiem Zustand und unter Beachtung der Bedienungsanleitung betrieben werden.

- ▶ Installations- und Instandhaltungsarbeiten dürfen nur von autorisiertem Fachpersonal mit geeignetem Werkzeug ausgeführt werden.
- ▶ Nach einer Unterbrechung der elektrischen oder pneumatischen Versorgung ist ein definierter oder kontrollierter Wiederanlauf des Prozesses zu gewährleisten.
- ▶ In den Druckversorgungsanschluss des Systems keine aggressiven oder brennbaren Medien und keine Flüssigkeiten einspeisen.
- ▶ Belasten Sie das Gehäuse nicht mechanisch (z. B. durch Ablage von Gegenständen oder als Trittstufe).
- ▶ Nehmen Sie keine äußerlichen Veränderungen an den Gerätegehäusen vor. Gehäuseteile und Schrauben nicht lackieren.
- ▶ Für die Einsatzplanung und den Betrieb des Geräts müssen die allgemeinen Regeln der Technik eingehalten werden.

### HINWEIS!

#### Elektrostatisch gefährdete Bauelemente / Baugruppen!

Das Gerät enthält elektronische Bauelemente, die gegen elektrostatische Entladung (ESD) empfindlich reagieren. Berührung mit elektrostatisch aufgeladenen Personen oder Gegenständen gefährdet diese Bauelemente. Im schlimmsten Fall werden sie sofort zerstört oder fallen nach der Inbetriebnahme aus.

- Die Anforderungen nach EN 61340-5-1 beachten, um die Möglichkeit eines Schadens durch schlagartige elektrostatische Entladung zu minimieren bzw. zu vermeiden!
- Elektronische Bauelemente nicht bei anliegender Versorgungsspannung berühren!

## 5 ALLGEMEINE HINWEISE

### 5.1 Lieferumfang

Generell besteht dieser aus dem Gerät und der dazugehörigen Bedienungsanleitung



Anbausätze für Schub- oder Schwenkantriebe erhalten Sie als Zubehör.

Bei Unstimmigkeiten wenden Sie sich bitte umgehend an uns.

### 5.2 Kontaktadresse

**Deutschland** EBRO ARMATUREN Gebr. Brüer GmbH

Karlstraße 8

D-58135 Hagen

Tel. + 49 (0) 2331 - 904 0

Fax + 49 (0) 2331 - 904 111

E-mail: [post@ebro-armaturen.com](mailto:post@ebro-armaturen.com)

#### International

Die internationalen Kontaktadressen finden Sie im Internet unter:

[www.ebro-armaturen.com](http://www.ebro-armaturen.com)

### 5.3 Gewährleistung

Voraussetzung für die Gewährleistung ist der bestimmungsgemäße Gebrauch des Geräts unter Beachtung der spezifizierten Einsatzbedingungen.

### 5.4 Informationen im Internet

Bedienungsanleitungen und Datenblätter zum Gerät finden Sie im Internet unter: [www.ebro-armaturen.com](http://www.ebro-armaturen.com)

## 6 SYSTEMBESCHREIBUNG

### 6.1 Allgemeine Beschreibung

Der Positioner Typ EP 501 / Prozessregler Typ EP 501 C ist ein digitaler, elektropneumatischer Stellungsregler für pneumatisch betätigte Stetigventile. Das Gerät umfasst die Hauptfunktionsgruppen

- Wegaufnehmer
- Mikroprozessorelektronik
- Elektropneumatisches Stellsystem

Der Wegaufnehmer misst die aktuellen Positionen des Stetigventils. Die Mikroprozessorelektronik vergleicht die aktuelle Position (Istwert) kontinuierlich mit einem über den Normsignaleingang vorgegebenen Stellungs-Sollwert und führt das Ergebnis dem Positioner zu. Liegt eine Regeldifferenz vor, wird durch das elektropneumatische Stellsystem eine entsprechende Korrektur der Ist-Position herbeigeführt. Zur Bedienung ist ein 128 x 64 Dot-Matrix-Grafikdisplay und ein Tastenfeld mit 4 Tasten vorhanden.

### 6.2 Ausführungen

#### 6.2.1 Typ EP 501, Positioner (Stellungsregler)

Die Stellung des Antriebs wird entsprechend des Stellungs-Sollwerts geregelt. Der Stellungs-Sollwert wird durch ein externes Normsignal vorgegeben (bzw. über Feldbus).

#### 6.2.2 Typ EP 501 C, Prozessregler

Im Typ EP 501 C ist zusätzlich ein PID-Regler implementiert, mit dem außer der eigentlichen Stellungsregelung auch eine Prozessregelung (z. B. Niveau, Druck, Durchfluss, Temperatur) im Sinne einer Kaskadenregelung durchgeführt werden kann.

Der Prozessregler ist in einen Regelkreis eingebunden. Aus dem Prozess-Sollwert und dem Prozess-Istwert errechnet sich über die Regelparameter (PID-Regler) der Stellungs-Sollwert des Ventils. Der Prozess-Sollwert kann durch ein externes Signal vorgegeben werden.

### 6.2.3 Typ EP 501 L Remote mit externem Wegaufnehmer

Bei dieser Ausführung besitzt der Typ EP 501 C keinen internen Wegaufnehmer in Form eines Drehwinkelsensors, sondern wird mit einem externen 4...20-mA-Wegsensor verbunden. Da dieser über die analoge Schnittstelle angeschlossen wird, kann der Typ EP 501 L nur als Positioner (Stellungsregler) betrieben werden.

## 6.3 Aufbau des Geräts



Bild 1: Aufbau Typ EP 501/EP 501 C

## 7 TECHNISCHE DATEN

### 7.1 Konformität

Typ EP 501 / EP 501 C / EP 501 L ist konform zu den EG-Richtlinien entsprechend der Konformitätserklärung.

### 7.2 Normen

Die angewandten Normen, mit denen die Konformität mit den EG-Richtlinien nachgewiesen wird, sind in der EG-Baumusterprüfbescheinigung und/oder der EG-Konformitätserklärung nachzulesen.

### 7.3 Betriebsbedingungen

#### HINWEIS!

**Beim Einsatz im Außenbereich kann das Gerät durch Sonneneinstrahlung und Temperaturschwankungen belastet werden, die Fehlfunktionen oder Undichtheiten bewirken können!**

- Das Gerät bei Einsatz im Außenbereich nicht ungeschützt den Witterungsverhältnissen aussetzen.
- Darauf achten, dass die zulässige Umgebungstemperatur nicht über- oder unterschritten wird.

Umgebungstemperatur: der zulässige Temperaturbereich ist auf dem Typschild des Geräts angegeben.

Schutzart: IP 65 / IP 67\* nach EN 60529 (nur bei korrekt angeschlossenen Kabel bzw. Stecker und Buchsen)

\* Bei Einsatz des Geräts unter IP 67 Bedingungen muss der Entlüftungsfiter entfernt und die Abluft in den trockenen Bereich geführt werden (siehe „Bild 1“).

### 7.4 Typschilder

#### Beschreibung Standardtypschild:

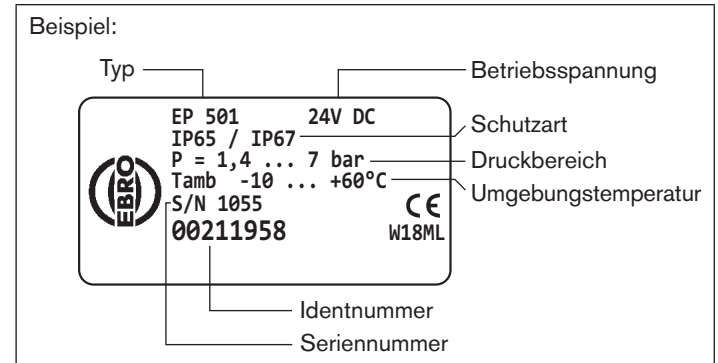


Bild 2: Beispiel Standardtypschild

#### Beschreibung Zusatzschild für Ex-Zulassung:

Geräte, die im explosionsgeschützten Bereich eingesetzt werden dürfen, sind durch das Zusatzschild für die Ex-Zulassung gekennzeichnet.

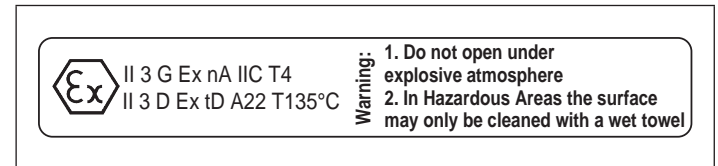


Bild 3: Zusatzschild für Ex-Zulassung



### 7.5 Mechanische Daten

Maße	siehe Datenblatt
Gewicht	ca. 1,0 kg
Material	
Gehäusematerial	Aluminium kunststoffbeschichtet
Sonstige Außenteile	rostfreier Stahl (V4A), PC, PE, POM, PTFE
Dichtmaterial	EPDM, NBR, FKM

### 7.6 Elektrische Daten

Schutzklasse	3 nach VDE 0580
Anschlüsse	2 Kabeldurchführungen (M20 x 1,5) mit Schraubklemmen 0,14 ... 1,5 mm <sup>2</sup> oder Rundsteckverbinder
Betriebsspannung	24 V DC ±10 %, max. Restwelligkeit 10 %
Leistungsaufnahme	< 5 W
Eingangsdaten für Istwertsignal	
4 ... 20 mA:	Eingangswiderstand 180 Ω Auflösung 12 bit
Frequenz:	Messbereich 0 ... 1000 Hz Eingangswiderstand 17 kΩ Auflösung 1‰ vom Messwert Eingangssignal > 300 mV <sub>ss</sub> Signalform Sinus, Rechteck, Dreieck
Pt 100:	Messbereich -20 ... +220 °C Auflösung < 0,1 °C Messstrom < 1 mA

### Eingangsdaten für Sollwertsignal

0/4 ... 20 mA:	Eingangswiderstand 180 Ω Auflösung 12 bit
0 ... 5/10 V:	Eingangswiderstand 19 kΩ Auflösung 12 bit
Analoge Rückmeldung	
max. Strom	10 mA (für Spannungsausgang 0 ... 5/10 V)
Bürde (Last)	0 ... 560 Ω (für Stromausgang 0/4 ... 20 mA)
Induktive	
Näherungsschalter	100 mA Strombegrenzung
Binärausgänge	galvanisch getrennt
Strombegrenzung	100 mA, Ausgang wird bei Überlast getaktet
Binäreingang	galvanisch getrennt 0 ... 5 V = log „0“, 10 ... 30 V = log „1“ invertierter Eingang entsprechend umgekehrt (Eingangsstrom < 6 mA)

## 7.7 Pneumatische Daten

Steuermedium	Qualitätsklassen nach DIN ISO 8573-1
Staubgehalt	Klasse 5, max. Teilchengröße 40 µm, max. Teilchendichte 10 mg/m <sup>3</sup>
Wassergehalt	Klasse 3, max. Drucktaupunkt - 20 °C oder min. 10 Grad unterhalb der niedrigsten Betriebstemperatur
Ölgehalt	Klasse 5, max. 25 mg/m <sup>3</sup>
Temperaturbereich der Druckluft	0 ... +60 °C
Druckbereich	1,4 ... 7 bar
Luftleistung	95 I <sub>N</sub> / min (bei 1,4 bar*) für Belüftung und Entlüftung 150 I <sub>N</sub> / min (bei 6 bar*) für Belüftung und Entlüftung (Q <sub>Nn</sub> = 100 I <sub>N</sub> / min (nach Definition bei Druckabfall von 7 auf 6 bar absolut).
Anschlüsse	Innengewinde G1/4"

\* Druckangaben: Überdruck zum Atmosphärendruck

## 8 BEDIENUNG

### 8.1 Beschreibung der Bedien- und Anzeigeelemente

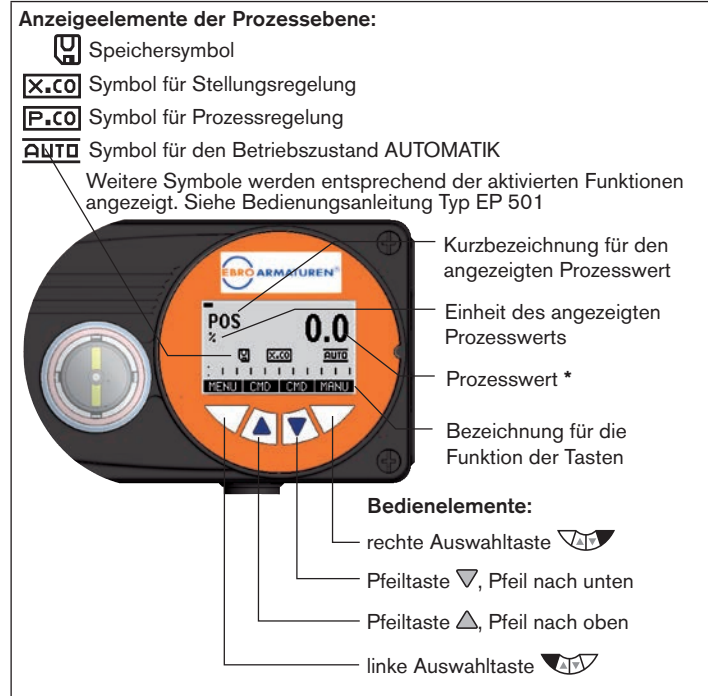


Bild 4: Anzeigeelemente der Prozessebene; Bedienelemente

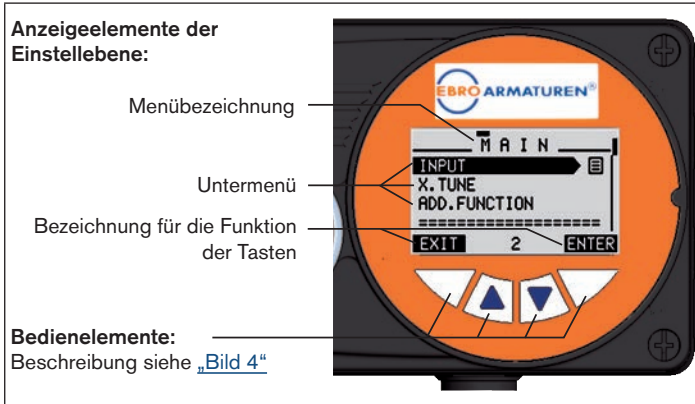


Bild 5: Anzeigeelemente der Einstellebene

Die Anzeige des Displays passt sich den eingestellten Funktionen und Bedienebenen an. Grundsätzlich unterschieden werden kann zwischen der Displaysicht für die Prozessebene und für die Einstellebene. Nach dem Anlegen der Betriebsspannung zeigt das Display die Prozessebene an.



\* Welche Prozesswerte im Betriebszustand AUTOMATIK angezeigt werden können ist typenabhängig. Eine detaillierte Beschreibung dazu finden Sie in der Bedienungsanleitung für das Gerät.

## 8.2 Funktion der Tasten

Die Funktion der 4 Tasten im Bedienfeld sind je nach Betriebszustand (AUTOMATIK oder HAND) und Bedienebene (Prozessebene oder Einstellebene) unterschiedlich.

Welche Tastenfunktion aktiv ist wird im grauen Textfeld, das sich über der Taste befindet, angezeigt.

Tastenfunktion in der Prozessebene:			
Taste	Tasten-funktion	Beschreibung der Funktion	Betriebs-zustand
Pfeiltaste ▲	<b>OPN</b> (AUF)	Manuelles Auffahren des Antriebs	HAND
		Wechsel des angezeigten Werts (z.B. POS-CMD-TEMP...)	AUTOMATIK
Pfeiltaste ▼	<b>CLS</b> (ZU)	Manuelles Zufahren des Antriebs	HAND
		Wechsel des angezeigten Werts (z.B. POS-CMD-TEMP...)	AUTOMATIK
Auswahl-taste ▲▼	<b>MENU</b>	Wechsel in die Einstellebene Hinweis: Taste ca. 3 s lang drücken.	AUTOMATIK oder HAND
Auswahl-taste ▲▼	<b>AUTO</b>	Rückkehr in den Betriebszustand AUTOMATIK	HAND
	<b>HAND</b>	Wechsel in den Betriebszustand HAND	AUTOMATIK

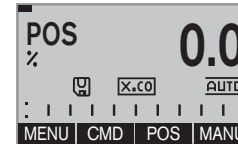
Tastenfunktion in der Einstellebene:		
Taste	Tastenfunktion	Beschreibung der Funktion
Pfeiltaste ▲		Blättern in den Menüs nach oben
	<b>+</b>	Vergößern von Zahlenwerten
Pfeiltaste ▼		Blättern in den Menüs nach unten
	<b>-</b>	Verkleinern von Zahlenwerten
	<b>&lt; -</b>	Wechsel um eine Stelle nach links; bei der Eingabe von Zahlenwerten
Auswahl- taste 	<b>EXIT</b> (ZURÜCK)	Rückkehr in die Prozessebene
		Schrittweise Rückkehr aus einem Untermenüpunkt
	<b>ESC</b>	Verlassen eines Menüs
	<b>STOP</b>	Abbrechen eines Ablaufs
Auswahl- taste 	<b>ENTER</b>	Auswahl, Aktivieren oder Deaktivieren eines Menüpunkts
	<b>SELEC</b>	
	<b>OK</b>	
	<b>INPUT</b>	
	<b>EXIT</b> (ZURÜCK)	Schrittweise Rückkehr aus einem Untermenüpunkt
	<b>RUN</b>	Starten eines Ablaufs
	<b>STOP</b>	Abbrechen eines Ablaufs

Tab. 1: Funktion der Tasten

## 9 BETRIEBSZUSTÄNDE

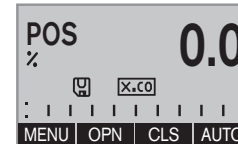
Das Gerät verfügt über 2 Betriebszustände: AUTOMATIK und HAND.

### AUTOMATIK




Im Betriebszustand AUTOMATIK wird der normale Regelbetrieb ausgeführt. (Das Symbol für AUTOMATIK **AUTO** ist auf dem Display eingeblendet. Oben am Displayrand läuft ein Balken).

### HAND



Im Betriebszustand HAND kann das Ventil manuell über die Pfeiltasten ▲ ▼ (Tastenfunktion **OPN** und **CLS**) auf- oder zugefahren werden. (Das Symbol für AUTOMATIK **AUTO** ist ausgeblendet. Kein laufender Balken am oberen Displayrand).


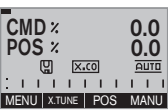
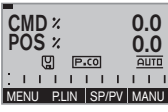
### 9.1 Wechsel des Betriebszustands

Wechsel in den Betriebszustand HAND (nur verfügbar bei Prozesswertanzeige: POS, CMD, PV, SP)	<b>MANU</b>	 drücken
Rückkehr in den Betriebszustand AUTOMATIK	<b>AUTO</b>	 drücken

## 9.2 Anzeigen im AUTOMATIK-Betrieb

Typ EP 501	Beschreibung der Anzeige	Typ EP501 C
	Ist-Position des Ventilantriebs (0 ... 100%)	
	Soll-Position des Ventilantriebs (0 ... 100%)	
	Innentemperatur im Gehäuse des Positioners ( °C)	
	Prozess-Istwert	
	Prozess-Sollwert	
	Gleichzeitige Anzeige der Soll-Position und der Ist-Position des Ventilantriebs (0 ... 100 %)	

Typ EP 501	Beschreibung der Anzeige	Typ EP501 C
	Grafische Darstellung von <i>SP</i> und <i>PV</i> mit Zeitachse	
	Grafische Darstellung von <i>POS</i> und <i>CMD</i> mit Zeitachse	
	Eingangssignal für Soll-Position (0 ... 5/10 V / 0/4 ... 20 mA)	
	Uhrzeit, Wochentag und Datum	
	Automatische Anpassung des Positioners (Stellungsreglers)	
	Automatische Optimierung der Prozessregler-Parameter	

Typ EP 501	Beschreibung der Anzeige	Typ EP501 C
	Automatische Linearisierung der Prozesskennlinien	
	Gleichzeitige Anzeige der Soll-Position und der Ist-Position des Ventilantriebs (0 ... 100 %)	

### 9.3 Mastercode

Die Bedienung des Geräts kann über einen frei wählbaren Benutzer-Code verriegelt werden. Unabhängig davon existiert ein nicht veränderbarer Mastercode, mit dem Sie alle Bedienhandlungen am Gerät ausführen können.

Diesen 4-stelligen Mastercode finden Sie auf den letzten Seiten dieser Bedienungsanleitung im Kapitel „Mastercode“.

Schneiden Sie bei Bedarf den Code aus und bewahren Sie ihn getrennt von dieser Bedienungsanleitung auf.

## 10 BEDIENEbenen

Für die Bedienung und Einstellung des Geräts gibt es die Prozessebene und die Einstellebene.

### Prozessebene:

In dieser Ebene wird der laufende Prozess angezeigt und bedient.

Betriebszustand: AUTOMATIK – Anzeigen der Prozessdaten  
 HAND – Manuelles Öffnen und Schließen des Ventils

### Einstellebene:



In dieser Ebene werden die Grundeinstellungen für den Prozess vorgenommen.

- Eingabe der Betriebsparameter
- Aktivierung von Zusatzfunktionen



Ist das Gerät beim Wechsel in die Einstellebene im Betriebszustand AUTOMATIK, läuft der Prozess während der Einstellung weiter.

### 10.1 Wechsel zwischen den Bedienebenen

Wechsel in die Einstellebene	<b>MENU</b>	 3 Sekunden drücken
Rückkehr in die Prozessebene	<b>EXIT</b>	 kurz drücken

## 11 ANBAU UND MONTAGE

### 11.1 Montage von Geräten für den Ex-Bereich

Bei der Montage im explosionsgeschützten Bereich muss die den Ex-Geräten beiliegende „Zusatzinformation für den Einsatz im Ex-Bereich“ beachtet werden.

### 11.2 Anbau an ein Stetigventil mit Schwenkantrieb

Die Welle des im Positioner integrierten Wegaufnehmers wird direkt an die Welle des Schwenkantriebs angekoppelt.



#### WARNUNG!

##### Verletzungsgefahr bei unsachgemäßer Montage!

- ▶ Die Montage darf nur autorisiertes Fachpersonal mit geeignetem Werkzeug durchführen!

##### Verletzungsgefahr durch ungewolltes Einschalten der Anlage und unkontrollierten Wiederanlauf!

- ▶ Anlage vor unbeabsichtigtem Betätigen sichern.
- ▶ Nach der Montage einen kontrollierten Wiederanlauf gewährleisten.

#### Vorgehensweise:

- Die Anbauposition des Geräts festlegen:
  - parallel zum Antrieb oder
  - um 90° gedreht zum Antrieb.
- Grundstellung und Drehrichtung des Antriebs ermitteln.
- Adapter auf die Welle des Geräts stecken und mit 2 Gewindestiften befestigen.



#### Verdrehschutz:

##### Die Anflachung der Welle beachten!

Als Verdrehschutz muss einer der Gewindestifte auf der Anflachung der Welle aufliegen (siehe „Bild 6“).

##### Drehbereich des Wegaufnehmers:

Der maximale Drehbereich des Wegaufnehmers beträgt 180°. Die Welle des Typs EP 501 / EP 501 C darf nur innerhalb dieses Bereichs bewegt werden.

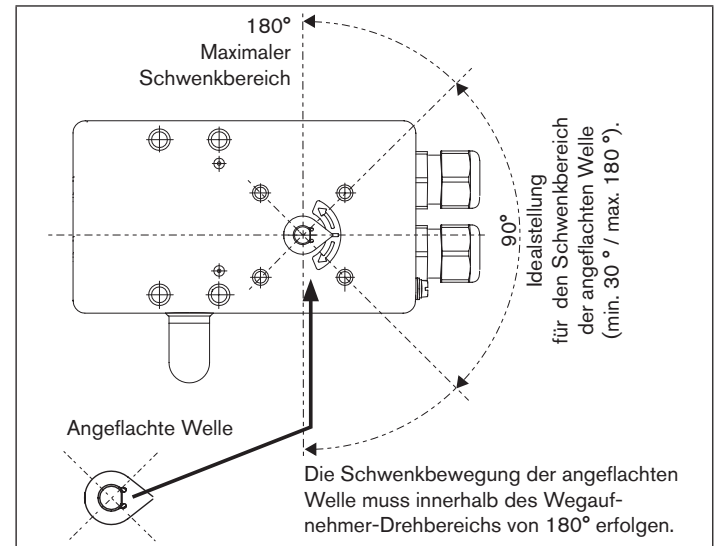


Bild 6: Drehbereich / Verdrehschutz

- Die mehrteilige Montagebrücke\* passend zum Antrieb aufbauen.
- Die Montagebrücke mit 4 Zylinderschrauben ③ und Feder-  
ringen ④ an Typ EP 501/EP 501 C befestigen (siehe „Bild 7“).

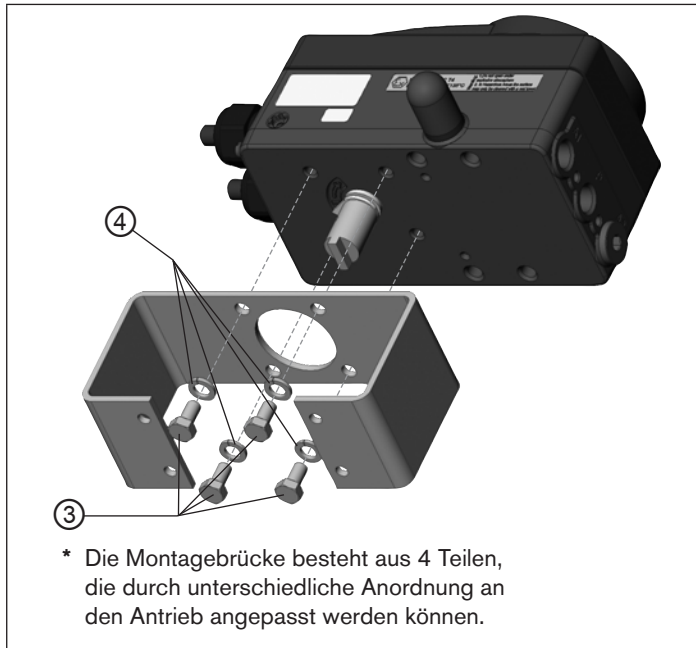


Bild 7: Montagebrücke befestigen (schematische Darstellung)

- Typ EP 501/EP 501 C mit Montagebrücke auf den Schwenkan-  
trieb aufsetzen und befestigen (siehe „Bild 8“).



Bild 8: Schwenkantriebsbefestigung

- !** Wird nach dem Start der Funktion *X.TUNE* im Grafikdisplay die Meldung *X.TUNE ERROR 5* angezeigt, ist die Aus-  
richtung der Welle des Typs EP 501 / EP 501 C zur Welle  
des Antriebs nicht korrekt.
- Ausrichtung überprüfen (wie in diesem Kapitel zuvor  
beschrieben).
  - Anschließend die Funktion *X.TUNE* wiederholen.



## 12 EXTERNER WEGSENSOR

Typ EP 501 L besitzt keinen internen Wegsensor in Form eines Drehwinkelsensors, sondern wird mit einem externen 4...20-mA-Wegsensor verbunden. Da dieser über die analoge Schnittstelle angeschlossen wird, kann der Typ EP 501 L nur als Positioner (Stellungsregler) betrieben werden.

Typ	Schnittstelle	Sensor	Einstellung im Menü ( <i>ADD.FUNCTION</i> )
EP 501 L	analog (4 ... 20 mA) *	beliebiger, hochauflösender Wegsensor	<i>POS.SENSOR</i> → <i>ANALOG</i>

Tab. 2: Anschluss externer Wegaufnehmer bei Typ EP 501 L

Grundsätzlich kann jeder beliebige Wegsensor mit einem 4...20-mA-Ausgang angeschlossen werden, der eine ausreichende Auflösung des Wegsignals besitzt.

Gute Regeleigenschaften werden erreicht, wenn die Auflösung des Wegsensors mindestens 1000 Messschritte über den zu erfassenden Weg erlaubt.

Beispiel:      Wegsensor mit Messbereich 150 mm  
                   davon genutzter Messbereich (= Hub) 100 mm  
                   Geforderte Mindestauflösung des Sensors:  

$$\frac{100 \text{ mm}}{1000 \text{ Schritte}} = 0,1 \text{ mm}$$

### 12.1 Anschluss externer Wegsensor

→ 4...20-mA-Wegsensor an die Klemmen 1 – 4 des Typs EP 501 L anschließen (siehe Kapitel „[14.5.1 Klemmenbelegung des Prozess-Istwert-Eingangs](#)“).

Interne Versorgung des Wegsensors durch Typ EP 501 L:  
 → Anschluss gemäß Eingangstyp „4 ... 20 mA - intern versorgt“

Separate Versorgung des Wegsensors:  
 → Anschluss gemäß Eingangstyp „4 ... 20 mA - extern versorgt“.

→ Wegsensor an den Antrieb montieren.  
 Die ordnungsgemäße Vorgehensweise ist in der Anleitung des Wegsensors beschrieben.

→ Druckluft an Typ EP 501 L anschließen.

→ Typ EP 501 L pneumatisch mit dem Antrieb verbinden.

→ Betriebsspannung des Typs EP 501 L einschalten.

→ Um die bestmögliche Regelgenauigkeit zu erhalten den Wegsensor so einstellen, dass der zu erfassende Weg dem Signalebereich 4 ... 20 mA entspricht (nur wenn der Wegsensor diese Funktion beinhaltet).

→ Im Menü *ADD.FUNCTION* die Funktion *POS.SENSOR* aktivieren. Dann im Hauptmenü *POS.SENSOR* auswählen und *ANALOG* einstellen. Die Vorgehensweise ist in der Bedienungsanleitung des Geräts im Kapitel „*Inbetriebnahme und Bedienung des Prozessreglers / Zusatzfunktionen / POS.SENSOR*“ beschrieben.

→ Die Funktion *X.TUNE* ausführen.

### 13 PNEUMATISCHER ANSCHLUSS


**GEFAHR!**
**Verletzungsgefahr durch hohen Druck in der Anlage!**

- ▶ Vor dem Lösen von Leitungen und Ventilen den Druck abschalten und Leitungen entlüften.


**WARNUNG!**
**Verletzungsgefahr bei unsachgemäßer Installation!**

- ▶ Die Installation darf nur autorisiertes Fachpersonal mit geeignetem Werkzeug durchführen!

**Verletzungsgefahr durch ungewolltes Einschalten der Anlage und unkontrollierten Wiederanlauf!**

- ▶ Anlage vor unbeabsichtigtem Betätigen sichern.
- ▶ Nach der Installation einen kontrollierten Wiederanlauf gewährleisten.

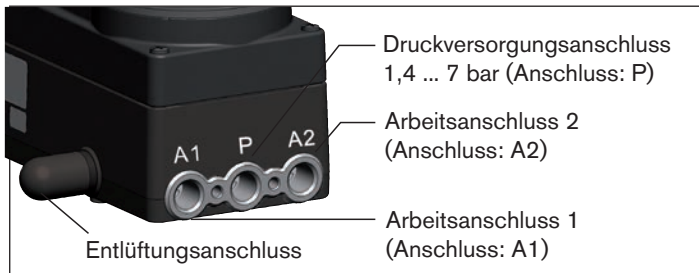


Bild 9: Pneumatische Installation / Lage der Anschlüsse

**Vorgehensweise:**

→ Versorgungsdruck (1,4 ... 7 bar) an den Druckversorgungsanschluss P anlegen.

**Bei einwirkenden Antrieben (Steuerfunktion A und B):**

→ Einen Arbeitsanschluss (A1 oder A2, je nach gewünschter Sicherheitsendlage) mit der Kammer des einwirkenden Antriebs verbinden.

Sicherheitsendlagen siehe Kapitel „13.1.1“.

→ Nicht benötigten Arbeitsanschluss mit einem Verschlussstopfen verschließen.

**Bei doppelwirkenden Antrieben (Steuerfunktion I):**

→ Arbeitsanschlüsse A1 und A2 mit den jeweiligen Kammern des doppelwirkenden Antriebs verbinden.

Sicherheitsendlagen siehe Kapitel „13.1.2“.


**Wichtige Information für einwandfreies Regelverhalten!**

Damit das Regelverhalten im oberen Hubbereich aufgrund zu kleiner Druckdifferenz nicht stark negativ beeinflusst wird

- den anliegenden Versorgungsdruck mindestens 0,5–1 bar über dem Druck halten, der notwendig ist um den pneumatischen Antrieb in Endstellung zu bringen.

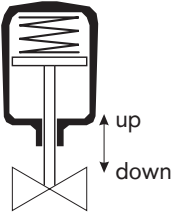
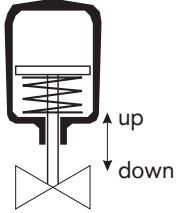
Bei größeren Schwankungen sind die mit der Funktion X.TUNE eingemessenen Reglerparameter nicht optimal.

- die Schwankungen des Versorgungsdrucks während des Betriebs möglichst gering halten (max.  $\pm 10\%$ ).

### 13.1 Sicherheitsendlagen

Die Sicherheitsendlage nach Ausfall der elektrischen Hilfsenergie ist vom pneumatischen Anschluss des Antriebs an die Arbeitsanschlüsse A1 oder A2 abhängig.

#### 13.1.1 Einfachwirkende Antriebe

Antriebsart	Sicherheitsendlagen nach Ausfall der elektrischen Hilfsenergie	
	elektrischen Hilfsenergie	pneumatischen Hilfsenergie
 Steuerungsfunktion A	down → Anschluss nach „Bild 10“	down
	up → Anschluss nach „Bild 11“	
 Steuerungsfunktion B	up → Anschluss nach „Bild 10“	up
	down → Anschluss nach „Bild 11“	

Tab. 3: Sicherheitsendlagen - einfachwirkende Antriebe

#### Einfachwirkende Antriebe - Steuerungsfunktion A oder B



Arbeitsanschluss A1 an Antrieb anschließen  
A2 verschließen

Bild 10: Anschluss A1



Arbeitsanschluss A2 an Antrieb anschließen  
A1 verschließen

Bild 11: Anschluss A2

### 13.1.2 Doppeltwirkende Antriebe

Antriebsart	Sicherheitsendlagen nach Ausfall der	
	elektrischen Hilfsenergie	pneumatischen Hilfsenergie
	→ Anschluss siehe „Bild 12“	nicht definiert
	up = untere Kammer des Antriebs an A2	
	down = obere Kammer des Antriebs an A2	

Tab. 4: Sicherheitsendlagen - doppeltwirkende Antriebe

Doppeltwirkende Antriebe - Steuerfunktion I	
	<p>Arbeitsanschluss A1 und A2 an Antrieb anschließen</p> <p>Sicherheitsendlage: up = untere Kammer an A2 down = obere Kammer an A2</p>

Bild 12: Anschluss bei SFI

## 14 ELEKTRISCHE INSTALLATION

Beschreibungen zum elektrischen Anschluss der Ausführung PPOFIBUS-DP finden Sie im Kapitel „15 PROFIBUS DP“

### 14.1 Sicherheitshinweise

**GEFAHR!**

#### Verletzungsgefahr durch Stromschlag!

- ▶ Vor Eingriffen in das Gerät oder die Anlage Spannung abschalten und vor Wiedereinschalten sichern!
- ▶ Die geltenden Unfallverhütungs- und Sicherheitsbestimmungen für elektrische Geräte beachten!

**WARNUNG!**

#### Verletzungsgefahr bei unsachgemäßer Installation!

- ▶ Die Installation darf nur autorisiertes Fachpersonal mit geeignetem Werkzeug durchführen!

#### Verletzungsgefahr durch ungewolltes Einschalten der Anlage und unkontrollierten Wiederanlauf!

- ▶ Anlage vor unbeabsichtigtem Betätigen sichern.
- ▶ Nach der Installation einen kontrollierten Wiederanlauf gewährleisten.

## 14.2 Elektrische Installation mit Kabelverschraubung



### Verwendung des 4–20-mA-Sollwerteingangs

Fällt bei einer Reihenschaltung mehrerer Geräte vom Typ EP 501/EP 501 C die elektrische Versorgung eines Geräts aus, wird der Eingang des ausgefallenen Geräts hochohmig. Dadurch fällt das 4–20-mA-Normsignal aus. Wenden Sie sich in diesem Fall bitte direkt an den EBRO-Service.

### 14.2.1 Anschlussplatine mit Schraubklemmen

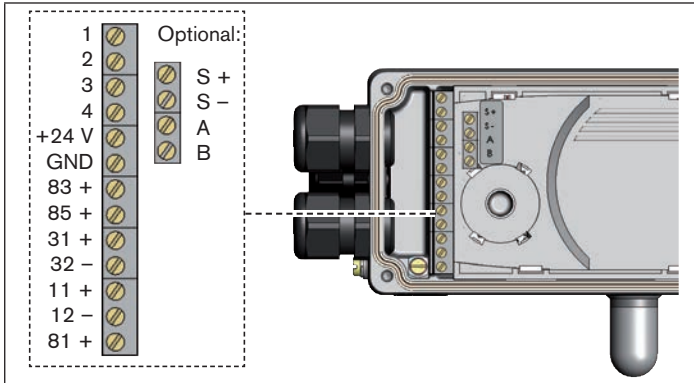


Bild 13: Bezeichnung der Schraubklemmen

### Vorgehensweise:

- Die 4 Schrauben am Gehäusedeckel herausdrehen und den Deckel abnehmen. Die Schraubklemmen sind nun zugänglich.
- Gerät anschließen. Die Vorgehensweise ist in den nachfolgenden Kapiteln beschrieben.

## 14.3 Klemmenbelegung bei Kabelverschraubung – Positioner Typ EP 501





### 14.3.1 Eingangssignale der Leitstelle (z. B. SPS)

Klemme	Belegung	Geräteseitig	Äußere Beschaltung / Signalpegel
11 +	Sollwert +	11 +	+ (0/4 ... 20 mA oder 0 ... 5 / 10 V) komplett galvanisch getrennt
12 -	Sollwert GND	12 -	GND Sollwert
81 +	Binärer Eingang +	81 +	+ $\begin{cases} 0 \dots 5 \text{ V (log. 0)} \\ 10 \dots 30 \text{ V (log. 1)} \end{cases}$ bezogen auf Betriebsspannung GND (Klemme GND)

Tab. 5: Klemmenbelegung; Eingangssignale der Leitstelle



### 14.3.2 Ausgangssignale zur Leitstelle (z.B. SPS) – nur bei Option Analoger Ausgang und/oder Binärausgang erforderlich

→ Klemmen entsprechend der Ausführung (Optionen) des Positioners anschließen.

Klemme	Belegung	Geräteseitig	Äußere Beschaltung / Signalpegel
83 +	Binärer Ausgang 1	83 + 	24 V / 0 V, NC / NO bezogen auf Betriebsspannung GND (Klemme GND)
85 +	Binärer Ausgang 2	85 + 	24 V / 0 V, NC / NO bezogen auf Betriebsspannung GND (Klemme GND)
31 +	Analoge Rückmeldung +	31 + 	+ (0/4 ... 20 mA oder 0 ... 5 / 10 V) komplett galvanisch getrennt
32 –	Analoge Rückmeldung GND	32 – 	GND Analoge Rückmeldung

Tab. 6: Klemmenbelegung; Ausgangssignale zur Leitstelle

### 14.3.3 Betriebsspannung

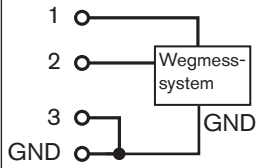
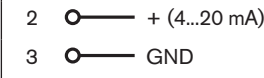
Klemme	Belegung	Geräteseitig	Äußere Beschaltung / Signalpegel
+24 V GND	Betriebsspannung + Betriebsspannung GND	+24 V  GND 	24 V DC ± 10 % max. Restwelligkeit 10 %

Tab. 7: Klemmenbelegung; Betriebsspannung

### 14.4 Klemmenbelegung bei Kabelverschraubung – Prozessregler Typ EP 501 C

→ Den Prozessregler zunächst wie in Kapitel „14.3 Klemmenbelegung bei Kabelverschraubung – Positioner Typ EP 501“ beschrieben anschließen.

#### 14.4.1 Klemmenbelegung des Prozess-Istwert-Eingangs

Eingangstyp*	Klemme		Belegung	Geräteseitig	Äußere Beschaltung
4 ... 20 mA - intern versorgt	actual value	1	+24 V Eingang Wegmesssystem		
		2	Ausgang von Wegmesssystem		
		3	Brücke nach GND (Klemme GND von Betriebsspannung)		
		4	nicht belegt		
	GND	GND von Betriebsspannung			
4 ... 20 mA - extern versorgt	actual value	1	nicht belegt		
		2	Prozess-Ist +		
		3	Prozess-Ist –		
		4	nicht belegt		

Eingangstyp*	Klemme	Belegung	Geräteseitig	Äußere Beschaltung
Frequenz, intern versorgt	actual value	1	+24 V Versorgung Sensor	1  +24 V
		2	Takt-Eingang +	2  Takt +
		3	nicht belegt	
		4	Takt-Eingang -	4  Takt - (GND)
	GND	GND von Betriebsspannung	GND	
Frequenz, extern versorgt	actual value	1	nicht belegt	
		2	Takt-Eingang +	2  Takt +
		3	nicht belegt	
		4	Takt-Eingang -	4  Takt -
Pt 100 siehe Hinweis**	actual value	1	nicht belegt	
		2	Prozess-Ist 1 (Stromspeisung)	
		3	Prozess-Ist 3 (GND)	
		4	Prozess-Ist 2 (Kompensation)	
*Über Software einstellbar (siehe Bedienungsanleitung Kapitel „Festlegen der Grundeinstellungen“ auf Seite 59).				

Tab. 8: Klemmenbelegungen des Prozess-Istwert-Eingangs



\*\* Den Sensor Pt 100 aus Leitungskompensationsgründen über 3 Leitungen anschließen. Pin 3 und Pin 4 unbedingt am Sensor brücken.

Nach Anlegen der Betriebsspannung ist der Prozessregler in Betrieb.  
 → Nun die erforderlichen Grundeinstellungen und Anpassungen für den Prozessregler vornehmen. Beschreibung siehe Kapitel [„16.3 Inbetriebnahme Typ EP 501 C“](#).

### 14.5 Klemmenbelegung bei Kabelverschraubung – Typ EP 501 L

→ Das Gerät zunächst wie in Kapitel [„14.3 Klemmenbelegung bei Kabelverschraubung – Positioner Typ EP 501“](#) beschrieben anschließen.

#### 14.5.1 Klemmenbelegung des Prozess-Istwert-Eingangs

Eingangstyp*	Klemme	Belegung	Geräteseitig	Äußere Beschaltung
4 ... 20 mA - intern versorgt	actual value	1	+24 V Eingang Wegmesssystem	
		2	Ausgang von Wegmesssystem	
		3	Brücke nach GND (Klemme GND von Betriebsspannung)	
		4	nicht belegt	
	GND	GND von Betriebsspannung		
4 ... 20 mA - extern versorgt	actual value	1	nicht belegt	
		2	Prozess-Ist +	
		3	Prozess-Ist -	
		4	nicht belegt	

## 15 PROFIBUS DP

### 15.1 Bezeichnung der Rundsteckverbinder und Kontakte Typ EP 501 P

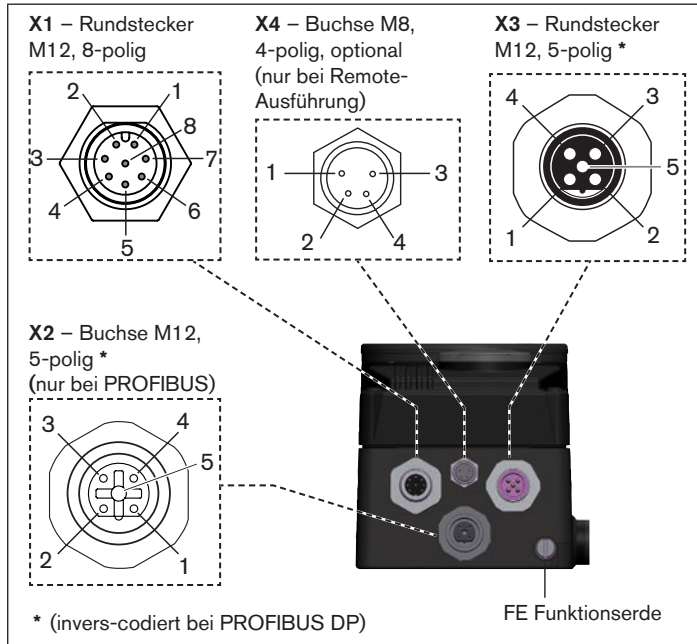


Bild 14: PROFIBUS DP Rundsteckverbinder und Kontakte – Typ EP 501 P

### 15.2 Elektrische Installation PROFIBUS



#### GEFAHR!

##### Verletzungsgefahr durch Stromschlag!

- ▶ Vor Eingriffen in das Gerät oder die Anlage Spannung abschalten und vor Wiedereinschalten sichern!
- ▶ Die geltenden Unfallverhütungs- und Sicherheitsbestimmungen für elektrische Geräte beachten!



#### WARNUNG!

##### Verletzungsgefahr bei unsachgemäßer Installation!

- ▶ Die Installation darf nur autorisiertes Fachpersonal mit geeignetem Werkzeug durchführen!

##### Verletzungsgefahr durch ungewolltes Einschalten der Anlage und unkontrollierten Wiederanlauf!

- ▶ Anlage vor unbeabsichtigtem Betätigen sichern.
- ▶ Nach der Installation einen kontrollierten Wiederanlauf gewährleisten.

#### HINWEIS!

Die elektromagnetische Verträglichkeit (EMV) ist nur dann gewährleistet, wenn das Gerät korrekt an einen Erdungspunkt angeschlossen wird.

Zum Anschluss der Technischen Erde (TE) befindet sich außen am Gehäuse ein TE-Anschluss.

- Den TE-Anschluss über ein möglichst kurzes Kabel (Maximallänge 30 cm) mit dem Erdungspunkt verbinden.






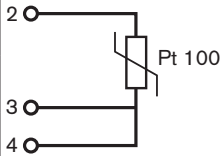
### 15.2.1 X1 – Rundstecker M12, 8-polig

Pin	Belegung	Geräte-seitig	Äußere Beschaltung / Signalpegel
1	nicht belegt		
2	nicht belegt		
<b>Betriebsspannung</b>			
3	GND		24 V DC ± 10 %
4	+24 V		max. Restwelligkeit 10 %
<b>Eingangssignale der Leitstelle (z.B. SPS)</b>			
5	Binäreingang +		0 ... 5 V (log. 0) 10 ... 30 V (log. 1)
6	Binäreingang –		GND (identisch mit Pin 3)
<b>Ausgangssignale zur Leitstelle (z.B. SPS) – nur belegt bei Option Binärausgang</b>			
7	Binärausgang 1 (bezogen auf Pin 3)		0 ... 24 V
8	Binärausgang 2 (bezogen auf Pin 3)		0 ... 24 V

Tab. 9: Pin-Belegung PROFIBUS DP  
X1 – Rundstecker M12, 8-polig,

### 15.2.2 X5 – Rundstecker M8, 4-polig, Prozess- Istwert (bei Typ EP 501 C)

Eingangstyp**	Pin	Belegung	DIP-Schalter***	Geräte-seitig	Äußere Beschaltung
4 ... 20mA, intern versorgt	1	(braun)* +24 V Versorgung Transmitter	 Schalter links		
	2	(weiß)* Ausgang von Transmitter			
	3	(blau)* GND (iden- tisch mit GND Betriebsspannung)			
	4	(schwarz)* Brücke nach GND (Pin 3)			
4 ... 20 mA, extern versorgt	1	(braun)* nicht belegt	 Schalter rechts		
	2	(weiß)* Prozess-Ist +			
	3	(blau)* nicht belegt			
	4	(schwarz)* Prozess-Ist –			
Frequenz, intern versorgt	1	(braun)* +24 V Versorgung Sensor	 Schalter links		
	2	(weiß)* Takt-Eingang +			
	3	(blau)* Takt-Eingang – (GND)			
	4	(schwarz)* nicht belegt			


Eingangstyp**	Pin	Belegung	DIP-Schalter***	Geräte-seitig	Äußere Beschaltung
Frequenz, extern versorgt	1	(braun)* nicht belegt	 Schalter rechts		Takt + Takt -
	2	(weiß)* Takt-Eingang +			
	3	(blau)* Takt-Eingang -			
	4	(schwarz)* nicht belegt			
Pt 100 (siehe Hinweis unten)	1	(braun)* nicht belegt	 Schalter rechts		
	2	(weiß)* Prozess-Ist 1 (Stromspeisung)			
	3	(blau)* Prozess-Ist 3 (GND)			
	4	(schwarz)* Prozess-Ist 2 (Kompensation)			

\* Die in Klammern angegebenen Adernfarben beziehen sich auf das als Zubehör erhältliche Anschlusskabel mit der ID-Nr. 918718.

\*\* Über Software einstellbar (siehe Bedienungsanleitung Kapitel „Festlegen der Grundeinstellungen“ auf Seite 59).

\*\*\* Der Schalter befindet sich im Innern des Geräts auf der Leiterplatte

Tab. 10: Pin-Belegung PROFIBUS DP  
X5 – Rundstecker M8, 4-polig, Prozess-Istwert-Eingang (bei Typ EP 501 C)

 Den Sensor Pt 100 aus Leitungskompensation über 3 Leitungen anschließen.  
Pin 3 und Pin 4 unbedingt am Sensor brücken.

### 15.3 Elektrischer Anschluss PROFIBUS

Für den Betrieb des Geräts muss unbedingt angeschlossen werden:

- X1 – Rundstecker M12, 8-polig (Betriebsspannung siehe „Tab. 9“) und
- X2 – Buchse M12, 5-polig, invers-codiert (PROFIBUS DP siehe „Tab. 11“).

#### 15.3.1 X2/X3 – Buchse/Rundstecker M12, 5-polig – Bus-Anschluss

Pin	Belegung	Äußere Beschaltung / Signalpegel
1	VP+5	Versorgung der Abschlusswiderstände
2	RxD/TxD-N	Empfangs-/Sendedaten -N, A-Leitung
3	DGND	Datenübertragungspotential (Masse zu 5 V)
4	RxD/TxD-P	Empfangs-/Sendedaten -P, B-Leitung
5	Schirm	Schirm / Schutzterde

Tab. 11: Pin-Belegung PROFIBUS DP;  
X2/X3 – Buchse/Rundstecker M12, 5-polig – Bus-Anschluss, PROFIBUS DP

Nach Anlegen der Betriebsspannung ist das Gerät in Betrieb.

→ Nun die erforderlichen Grundeinstellungen vornehmen:

**Positioner:**

siehe „16.2.1 Festlegen der Grundeinstellungen“

**Prozessregler:**

siehe „16.3.1 Grundeinstellungen des Prozessreglers“

## 16 INBETRIEBNAHME

### 16.1 Sicherheitshinweise



#### WARNUNG!

##### Verletzungsgefahr bei unsachgemäßem Betrieb!

Nicht sachgemäßer Betrieb kann zu Verletzungen sowie Schäden am Gerät und seiner Umgebung führen.

- ▶ Vor der Inbetriebnahme muss gewährleistet sein, dass der Inhalt der Bedienungsanleitung dem Bedienungspersonal bekannt ist und vollständig verstanden wurde.
- ▶ Die Sicherheitshinweise und die bestimmungsgemäße Verwendung müssen beachtet werden.
- ▶ Nur ausreichend geschultes Personal darf die Anlage / das Gerät in Betrieb nehmen.

### 16.2 Inbetriebnahme Typ EP 501

#### 16.2.1 Festlegen der Grundeinstellungen



Die Grundeinstellungen werden in der Einstellebene vorgenommen.  
Zum Wechsel von der Prozess- in die Einstellebene die Taste **MENU** ca. 3 Sekunden drücken.

Folgende Grundeinstellungen müssen Sie zur Inbetriebnahme vornehmen:

- Einstellung des Eingangssignals (*INPUT*)
- Automatische Anpassung des Positioners (*X.TUNE*)

#### Einstellung des Eingangssignals (*INPUT*)

→ Im Menüpunkt *INPUT* das Eingangssignal für den Sollwert auswählen.  
(4 ... 20 mA, 0 ... 20 mA, 0 ... 10 V oder 0 ... 5 V).

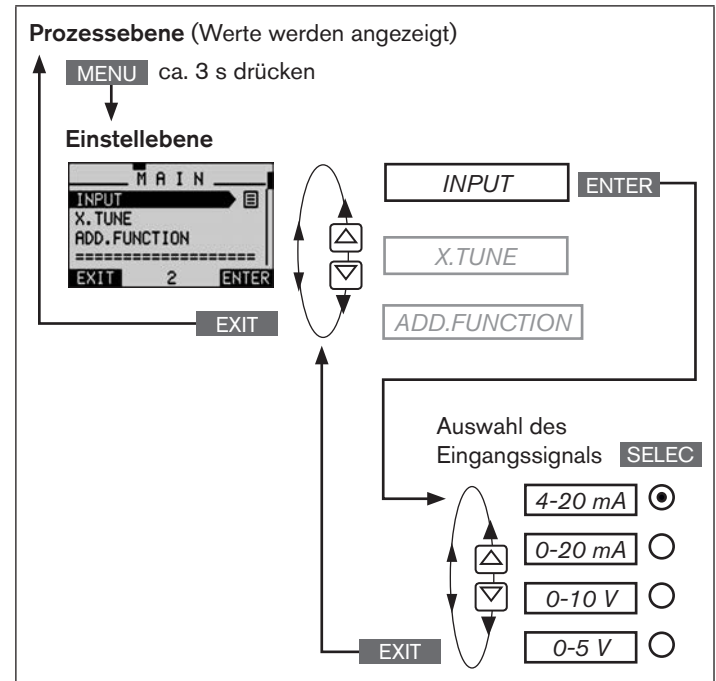


Bild 15: Bedienstruktur *INPUT*; Einstellung des Eingangssignals

**Automatische Anpassung des Positioners an die Betriebsbedingungen (X.TUNE)**



**WARNUNG!**

**Gefahr durch Änderung der Ventilstellung bei Ausführung der Funktion X:TUNE!**

Beim Ausführen der Funktion X.TUNE unter Betriebsdruck besteht akute Verletzungsgefahr.

- ▶ X.TUNE niemals bei laufendem Prozess durchführen!
- ▶ Anlage vor unbeabsichtigtem Betätigen sichern!

**HINWEIS!**

**Durch einen falschen Versorgungsdruck oder aufgeschalteten Betriebsmediumsdruck kann es zur Fehlanpassung des Reglers kommen!**

- ▶ X.TUNE in jedem Fall bei dem im späteren Betrieb zur Verfügung stehenden Versorgungsdruck (= pneumatische Hilfsenergie) durchführen.
- Die Funktion X.TUNE vorzugsweise **ohne** Betriebsmediumsdruck durchführen, um Störeinflüsse infolge von Strömungskräften auszuschließen.

Folgende Funktionen werden selbsttätig ausgelöst:




- Anpassung des Sensorsignals an den (physikalischen) Hub des verwendeten Stellglieds.
- Ermittlung von Parametern der PWM-Signale zur Ansteuerung der im Gerät integrierten Magnetventile.

- Einstellung der Reglerparameter des Positioners. Die Optimierung erfolgt nach den Kriterien einer möglichst kurzen Ausregelzeit bei gleichzeitiger Überschwingungsfreiheit.




Um X.TUNE abzubrechen, die linke oder rechte Auswahl-taste **STOP** betätigen.

**Vorgehensweise:**

Taste	Aktion	Beschreibung
<b>MENU</b>	 ca. 3 s drücken	Wechsel von Prozessebene ⇌ Einstellebene
<b>▲ / ▼</b>	X.TUNE auswählen	
<b>RUN</b>	 gedrückt halten solange Countdown (5 ...) läuft	Während der automatischen Anpassung erscheinen auf dem Display Meldungen über den Fortschritt der X.TUNE „TUNE #1... X.TUNE ready“.
	beliebige Taste drücken	Rückkehr ins Hauptmenü (MAIN)
<b>EXIT</b>	 drücken	Wechsel von Einstellebene ⇌ Prozessebene

Tab. 12: Automatische Anpassung X.TUNE



Erst beim Verlassen des Hauptmenüs über die linke Auswahl-taste **EXIT** werden die geänderten Daten in dem Speicher (EEPROM) abgelegt. Während des Speichervorgangs erscheint das Speichersymbol  auf dem Display.

### 16.3 Inbetriebnahme Typ EP 501 C

Um den Positioner als Prozessregler betreiben zu können, führen Sie folgende Schritte aus:

#### 1. Einrichten des Positioners (Stellungsreglers):

Beschreibung siehe [„16.2.1 Festlegen der Grundeinstellungen“](#)

#### 2. Einrichten des Prozessreglers:

→ Die Zusatzfunktion *P.CONTROL* über das Konfiguriermenü (*ADD.FUNCTION*) ins Hauptmenü (*MAIN*) aufnehmen.

Taste	Aktion
MENU	ca. 3 s drücken
▲ / ▼	<i>ADD.FUNCTION</i> auswählen
ENTER	drücken
▲ / ▼	<i>P.CONTROL</i> auswählen
ENTER	drücken
EXIT	drücken

Die Funktion *P.CONTROL* ist nun aktiviert und ins Hauptmenü (*MAIN*) aufgenommen.

Tab. 13: Aufnahme von *P.CONTROL* ins Hauptmenü (*MAIN*)

#### 16.3.1 Grundeinstellungen des Prozessreglers

→ Im Hauptmenü (*MAIN*) die Funktion *P.CONTROL* auswählen und die Grundeinstellungen vornehmen.

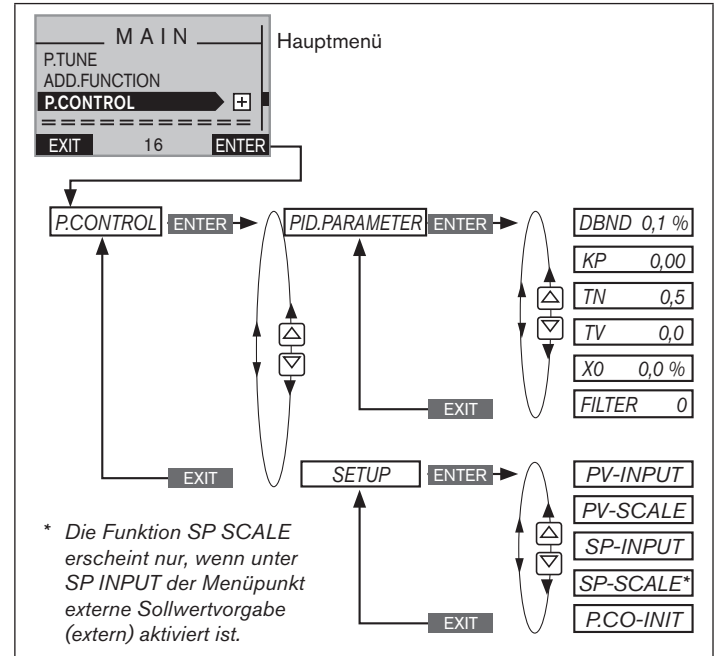


Bild 16: Bedienstruktur - Grundeinstellungen Prozessregler

**P.CONTROL – Einstellungen:**

<b>PID.PARAMETER</b>	<b>Parametrierung des Prozessreglers</b>
DBND 0,1 %	Unempfindlichkeitsbereich (Totband) des PID-Prozessreglers
KP 0,00	Verstärkungsfaktor des Prozessreglers
TN 0,5	Nachstellzeit
TV 0,0	Vorhaltezeit
X0 0,0 %	Betriebspunkt
FILTER 0	Filterung des Prozess-Istwert-Eingangs
<b>SETUP</b>	<b>Einrichten des Prozessreglers</b>
PV-INPUT	Angabe der Signalart für Prozess-Istwert
PV-SCALE	Skalierung des Prozessreglers
SP-INPUT	Art der Sollwertvorgabe (intern oder extern)
SP-SCALE*	Skalierung des Positioners (Stellungsreglers) (nur bei externer Sollwertvorgabe)
P.CO-INIT	Ermöglicht ein stoßfreies Umschalten zwischen Betriebszustand AUTOMATIK und HAND

Tab. 14: Grundeinstellungen des Prozessreglers

Eine automatische Parametereinstellung kann mit Hilfe der Funktion P.TUNE erfolgen (Beschreibung siehe „Bedienungsanleitung für Typ EP 501“).

**16.3.2 Manuelles Verändern des Prozess-Sollwerts**

Vorgehensweise:

**1. In der Einstellebene die interne Sollwertvorgabe einstellen:**

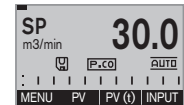


→ über die Taste **EXIT** (4 x betätigen) in die Prozessebene zurückkehren.

**2. In der Prozessebene den Prozess-Sollwert manuell verändern:**

→ Über die Pfeiltasten  $\Delta$   $\nabla$  die Anzeige für den Prozess-Sollwert (SP) auswählen.

→ Die Taste **INPUT** drücken.



→ Prozess-Sollwert eingeben (wie im Bild rechts beschrieben)

**SET VALUE**

SP: 70.0  
[m3/min] +070.0

ESC + <- OK

**Eingabe von Werten:**

- Veränderbare Ziffer
- Eingestellten Wert übernehmen
- Wechsel um eine Stelle nach links
- Ziffer erhöhen
- Rückkehr ohne Änderung

Bild 17: Eingabe von Werten

## 17 VERPACKUNG, TRANSPORT, LAGERUNG

### HINWEIS!

#### Transportschäden!

Unzureichend geschützte Geräte können durch den Transport beschädigt werden.

- Gerät vor Nässe und Schmutz geschützt in einer stoßfesten Verpackung transportieren.
- Eine Über- bzw. Unterschreitung der zulässigen Lagertemperatur vermeiden.

#### Falsche Lagerung kann Schäden am Gerät verursachen.

- Gerät trocken und staubfrei lagern!
- Lagertemperatur  $-20 \dots +65 \text{ }^{\circ}\text{C}$ .

## 18 ENTSORGUNG

→ Entsorgen Sie das Gerät und die Verpackung umweltgerecht.

### HINWEIS!

#### Umweltschäden durch von Medien kontaminierte Geräteteile.

- ▶ Geltende Entsorgungsvorschriften und Umweltbestimmungen einhalten.



#### Hinweis:

Beachten Sie die nationalen Abfallbeseitigungsvorschriften.

<b>1</b>	<b>QUICKSTART</b> .....	<b>66</b>	<b>8</b>	<b>COMMANDE</b> .....	<b>73</b>
1.1	Définition du terme « appareil » .....	66	8.1	Description des éléments de commande et d'affichage	73
<b>2</b>	<b>SYMBOLES</b> .....	<b>66</b>	8.2	Fonction des touches.....	74
<b>3</b>	<b>UTILISATION CONFORME</b> .....	<b>67</b>	<b>9</b>	<b>ETATS DE MARCHÉ</b> .....	<b>75</b>
3.1	Restrictions.....	67	9.1	Changement d'état de marche .....	75
<b>4</b>	<b>CONSIGNES DE SÉCURITÉ FONDAMENTALES</b> .....	<b>68</b>	9.2	Affichage en l'état de marche AUTOMATIQUE.....	76
<b>5</b>	<b>INDICATIONS GÉNÉRALES</b> .....	<b>69</b>	9.3	Mastercode.....	77
5.1	Fourniture.....	69	<b>10</b>	<b>NIVEAUX DE COMMANDE</b> .....	<b>77</b>
5.2	Adresse.....	69	10.1	Passage entre les niveaux de commande .....	77
5.3	Garantie légale.....	69	<b>11</b>	<b>AJOUT ET MONTAGE</b> .....	<b>78</b>
5.4	Informations sur Internet .....	69	11.1	Montage d'appareils pour une zone Ex.....	78
<b>6</b>	<b>DESCRIPTION DU SYSTÈME</b> .....	<b>69</b>	11.2	Montage sur une vanne continue avec actionneur pivotant .....	78
6.1	Description générale .....	69	<b>12</b>	<b>SYSTÈME EXTERNE DE MESURE DE DÉPLACEMENT</b> .....	<b>80</b>
6.2	Versions.....	70	12.1	Raccordement du système de mesure de déplacement externe .....	80
6.3	Structure de l'appareil.....	70	<b>13</b>	<b>RACCORD PNEUMATIQUE</b> .....	<b>81</b>
<b>7</b>	<b>CARACTÉRISTIQUES TECHNIQUES</b> .....	<b>71</b>	13.1	Positions finales de sécurité .....	82
7.1	Conformité.....	71	<b>14</b>	<b>INSTALLATION ÉLECTRIQUE</b> .....	<b>83</b>
7.2	Normes .....	71	14.1	Consignes de sécurité .....	83
7.3	Conditions d'exploitation .....	71	14.2	Raccordement électrique avec presse-étoupe .....	84
7.4	Plaques signalétiques .....	71	14.3	Affectation des bornes pour presse-étoupe – positionneur type EP 501 .....	84
7.5	Caractéristiques mécaniques.....	72	14.4	Affectation des bornes pour presse-étoupe – régulateur de process type EP 501 C .....	85
7.6	Caractéristiques électriques.....	72	14.5	Affectation des bornes pour presse-étoupe – Typ EP 501 L.....	86
7.7	Caractéristiques pneumatiques .....	73			



<b>15</b>	<b>PROFIBUS DP</b> .....	<b>87</b>
15.1	Désignation des connecteurs ronds et des contacts type EP 501 P.....	87
15.2	Installation électrique PROFIBUS .....	87
15.3	Installation électrique PROFIBUS .....	89
<b>16</b>	<b>MISE EN SERVICE</b> .....	<b>90</b>
16.1	Consignes de sécurité .....	90
16.2	Mise en service type EP 501 .....	90
16.3	Mise en service type EP 501 C .....	92
<b>17</b>	<b>EMBALLAGE, TRANSPORT</b> .....	<b>94</b>
<b>18</b>	<b>ELIMINATION</b> .....	<b>94</b>

## 1 QUICKSTART

Quickstart décrit le cycle de vie complet de l'appareil. Conservez-le de sorte qu'il soit accessible à tout utilisateur et à disposition de tout nouveau propriétaire.


### Informations importantes pour la sécurité !

Lisez attentivement Quickstart. Tenez compte en particulier des chapitres « Consignes de sécurité fondamentales » et « Utilisation conforme ».

- ▶ Les instructions de service Quickstart doivent être lues et comprises.

Quickstart explique par des exemples le montage et la mise en service de l'appareil.

Vous trouverez la description détaillée de l'appareil dans le manuel d'utilisation du type EP 501 / EP 501 C / EP 501 L.

 Vous trouverez les instructions de service sur le CD fourni ou bien sur Internet sous :  
[www.ebro-armaturen.com](http://www.ebro-armaturen.com)

### 1.1 Définition du terme « appareil »

Le terme « appareil » utilisé dans ces instructions désigne toujours le positionneur type EP 501 / EP 501 C / EP 501 L.

## 2 SYMBOLES

Les moyens de représentation suivants sont utilisés dans les présentes instructions de service.

### DANGER !

**Met en garde contre un danger imminent.**

- ▶ Le non-respect peut entraîner la mort ou de graves blessures.

### AVERTISSEMENT !

**Met en garde contre une situation éventuellement dangereuse.**

- ▶ Risque de blessures graves, voire la mort en cas de non-respect.


### ATTENTION !


**Met en garde contre une situation éventuellement dangereuse.**

- ▶ Risque de blessures graves, voire la mort en cas de non-respect.

### REMARQUE !

**Met en garde contre des dommages matériels !**

 Conseils et recommandations importants.

 renvoie à des informations dans ces instructions de service ou dans d'autres documentations.

→ identifie une opération que vous devez effectuer.

### 3 UTILISATION CONFORME

#### L'utilisation non conforme de l'appareil, peut présenter des dangers pour les personnes, les installations proches et l'environnement.

L'appareil est conçu pour la commande et la régulation de fluides.

- ▶ Dans une zone exposée à un risque d'explosion, l'appareil doit impérativement être installé conformément à la spécification indiquée sur la plaque signalétique de sécurité séparée. Lors de l'utilisation, il convient de respecter les informations supplémentaires fournies avec l'appareil et reprenant les consignes de sécurité pour la zone exposée à des risques d'explosion.
- ▶ Les appareils sans plaque signalétique de sécurité séparée ne doivent pas être installés dans une zone soumise à un risque d'explosion.
- ▶ L'appareil ne doit pas être exposé au rayonnement solaire direct.
- ▶ N'utilisez pas de tension continue pulsatoire (tension alternative redressée sans lissage) comme tension de service.
- ▶ L'utilisation doit se faire dans le respect des données et des conditions d'exploitation et d'utilisation spécifiées dans les documents contractuels et les instructions de service. Vous trouverez une description aux chapitres « [Conditions d'exploitation](#) », [page 71](#) de ces instructions et dans les instructions de service de la vanne à commande pneumatique correspondante.
- ▶ L'appareil peut être utilisé uniquement en association avec les appareils et composants étrangers recommandés et homologués par Ebro.

- ▶ Etant donné les nombreux cas d'utilisation possibles, veuillez vérifier si l'appareil convient au cas d'utilisation concret et effectuez un test si nécessaire.
- ▶ Les conditions pour l'utilisation sûre et parfaite sont un transport, un stockage et une installation dans les règles ainsi qu'une parfaite utilisation et maintenance.
- ▶ Veuillez à ce que l'utilisation de l'appareil, soit toujours conforme.

#### 3.1 Restrictions

Lors de l'exportation du système/de l'appareil, veuillez respecter les Restrictions éventuelles existantes.

## 4 CONSIGNES DE SÉCURITÉ FONDAMENTALES

Ces consignes de sécurité ne tiennent pas compte

- des hasards et des événements pouvant survenir lors du montage, de l'exploitation et de l'entretien des appareils.
- des prescriptions de sécurité locales que l'exploitant est tenu de faire respecter par le personnel chargé du montage



### **Danger dû à la haute pression !**

- ▶ Avant de desserrer les conduites et les vannes, coupez la pression et purgez l'air des conduites.

### **Danger présenté par la tension électrique !**

- ▶ Avant d'intervenir dans l'appareil ou l'installation, coupez la tension et empêchez toute remise sous tension par inadvertance !
- ▶ Veuillez respecter les réglementations en vigueur pour les appareils électriques en matière de prévention des accidents ainsi qu'en matière de sécurité !

### **Risque de brûlures/d'incendie en fonctionnement continu dû à des surfaces d'appareils brûlantes !**

- ▶ Tenez les substances et les fluides facilement inflammables à l'écart de l'appareil et ne touchez pas ce dernier à mains nues.

### **Situations dangereuses d'ordre général.**

Pour prévenir les blessures, respectez ce qui suit :

- ▶ L'installation ne peut pas être actionnée par inadvertance.
- ▶ Les travaux d'installation et de maintenance doivent être effectués uniquement par des techniciens qualifiés et habilités disposant de l'outillage approprié.

- ▶ Après une interruption de l'alimentation électrique ou pneumatique, un redémarrage défini ou contrôlé du processus doit être garanti.
- ▶ L'appareil doit être utilisé uniquement en parfait état et en respectant les instructions de service.
- ▶ N'alimentez pas le raccord de pression d'alimentation du système en fluides agressifs ou inflammables.
- ▶ N'alimentez pas le raccord de pression d'alimentation en liquides.
- ▶ Ne soumettez pas le corps à des contraintes mécaniques (par ex. pour déposer des objets ou en l'utilisant comme marche).
- ▶ N'apportez pas de modifications à l'extérieur du corps de l'appareil. Ne laquez pas les pièces du corps et les vis.
- ▶ Les règles générales de la technique sont d'application pour planifier l'utilisation et utiliser l'appareil.

### **REMARQUE !**

#### **Éléments /sous-groupes sujets aux risques électrostatiques !**

L'appareil contient des éléments électroniques sensibles aux décharges électrostatiques (ESD). Ces éléments sont affectés par le contact avec des personnes ou des objets ayant une charge électrostatique. Au pire, ils sont immédiatement détruits ou tombent en panne après mise en service.

- Respectez les exigences selon EN 61340-5-1 pour minimiser ou éviter la possibilité d'un dommage causé par une soudaine décharge électrostatique !
- Veuillez également à ne pas toucher d'éléments électroniques lorsqu'ils sont sous tension !

## 5 INDICATIONS GÉNÉRALES

### 5.1 Fourniture

En général, la fourniture comprend : l'appareil et les instructions de service correspondantes



Les jeux de montage pour actionneurs linéaires ou pivotants sont disponibles comme accessoires.

En cas de différences, veuillez nous contacter immédiatement.

### 5.2 Adresse

**Allemagne** EBRO ARMATUREN Gebr. Bröer GmbH  
Karlstraße 8  
D-58135 Hagen  
Tel. + 49 (0) 2331 - 904 0  
Fax + 49 (0) 2331 - 904 111  
E-mail: [post@ebro-armaturen.com](mailto:post@ebro-armaturen.com)

#### International

Les adresses se trouvent sur internet sous :  
[www.ebro-armaturen.com](http://www.ebro-armaturen.com)

### 5.3 Garantie légale

La condition pour bénéficier de la garantie légale est l'utilisation conforme de l'appareil dans le respect des conditions d'utilisation spécifiées.

### 5.4 Informations sur Internet

Vous trouverez les instructions de service et les fiches techniques concernant l'appareil sur Internet sous :  
[www.ebro-armaturen.com](http://www.ebro-armaturen.com)

## 6 DESCRIPTION DU SYSTÈME

### 6.1 Description générale

Le positionneur type EP 501 / régulateur de process type EP 501 C, est un régulateur de position électropneumatique numérique pour les vannes continues à commande pneumatique. L'appareil comprend les groupes fonctionnels principaux

- Système de mesure de déplacement
- Electronique du microprocesseur
- Système de réglage électropneumatique

Le système de mesure de déplacement mesure les positions actuelles de la vanne continue.

L'électronique du microprocesseur compare en permanence la position actuelle (valeur effective) à la consigne de position prescrite par l'entrée de signal normalisé et transmet le résultat au positionneur / régulateur de process.

En présence d'une différence de régulation, le système de réglage électropneumatique effectue une correction appropriée de la position effective.

Un afficheur graphique 128 x 64 et un tableau de commande à 4 touches permettent la commande de l'appareil.

## 6.2 Versions

### 6.2.1 Type EP 501 , positionneur

La position de l'actionneur est réglée selon la valeur de consigne de la position. La consigne de position est prescrite par un signal normalisé externe (ou par bus de terrain).

### 6.2.2 Type EP 501 C, régulateur de process

Le type EP 501 C, intègre également un régulateur PID permettant d'effectuer en plus de la régulation de position proprement dite également la régulation de process (par ex. niveau, pression, débit, température) à l'instar d'une régulation en cascade.

Le régulateur de process est intégré dans un circuit de régulation. La valeur de consigne de la position de la vanne est calculée à l'aide des paramètres de régulation (régulateur PID) sur la base de la valeur de consigne de process et de la valeur effective de process. La valeur de consigne de process peut être prescrite par un signal externe.

### 6.2.3 Type EP 501 L remote avec système de mesure de déplacement externe

Dans cette version, le type EP 501 C ne dispose pas de système de mesure de déplacement interne sous forme d'un capteur d'angle de rotation. Au contraire, il est relié à un capteur de déplacement externe de 4...20-mA. Celui-ci étant raccordé à une interface analogique, le type EP 501 L ne peut être utilisé qu'en tant que positionneur (régulateur de position).

## 6.3 Structure de l'appareil

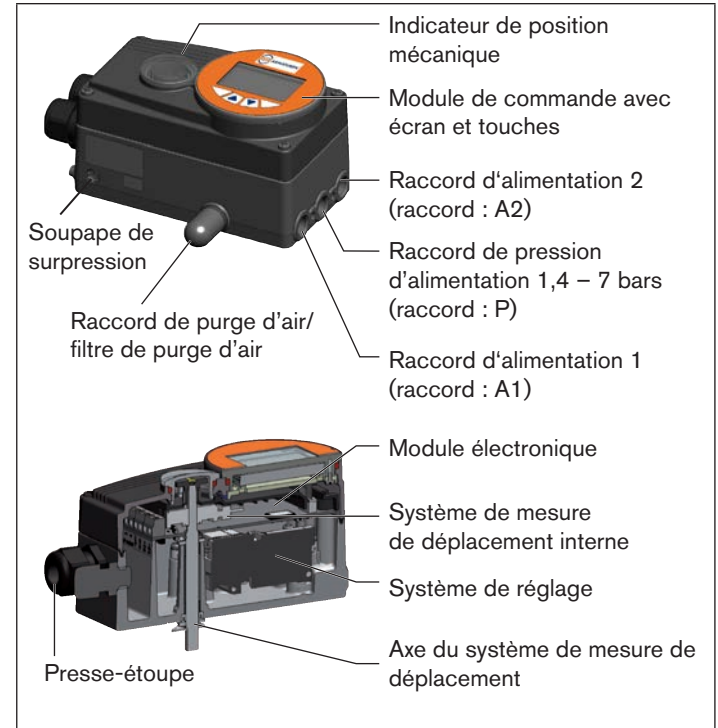


Fig. 1 : Structure, types EP 501 / EP 501 C

## 7 CARACTÉRISTIQUES TECHNIQUES

### 7.1 Conformité

Le type EP 501 / EP 501 C / EP 501 L est conforme aux directives CE sur la base de la déclaration de conformité.

### 7.2 Normes

Les normes appliquées justifiant la conformité aux directives CE peuvent être consultées dans le certificat d'essai de modèle type CE et / ou la déclaration de Conformité CE.

### 7.3 Conditions d'exploitation

#### REMARQUE !

**En cas d'utilisation à l'extérieur, le rayonnement solaire et les variations de température peuvent être à l'origine de dysfonctionnements ou de fuites de l'appareil !**

- Lorsqu'il est utilisé à l'extérieur, ne pas exposer l'appareil aux intempéries sans aucune protection.
- Veiller à ne pas être en dessous ou au-dessus de la température ambiante admissible.

#### Température ambiante :

Respectez la plage de températures admissible indiquée sur la plaque signalétique de l'appareil.

#### Degré de protection :

P 65 / IP 67\* selon EN 60529 (uniquement avec le câble, les connecteurs et les douilles correctement raccordés) \* Lorsque l'appareil est utilisé dans des conditions IP 67, il convient de retirer le filtre de purge d'air (voir « Fig. 1 »).

## 7.4 Plaques signalétiques

Description - étiquette signalétique standard :

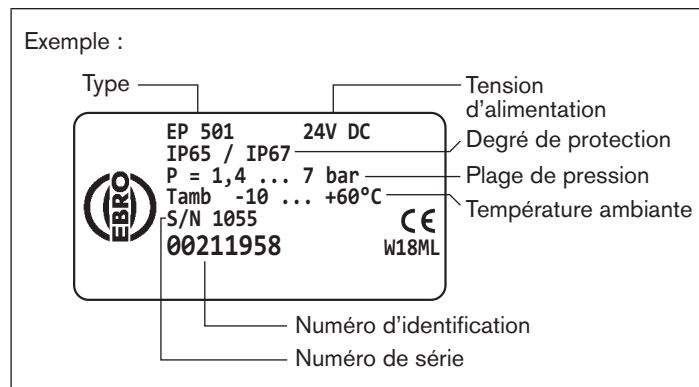


Fig. 2 : Exemple : Etiquette signalétique standard

#### Description - étiquette supplémentaire pour homologation Ex :

Les appareils pouvant être utilisés dans des zones protégées contre l'explosion sont identifiées par une étiquette signalétique pour l'homologation Ex.

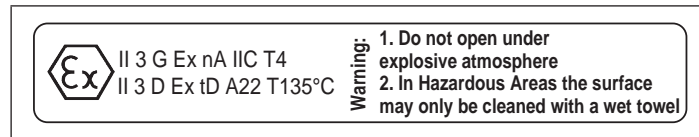


Fig. 3 : Etiquette supplémentaire pour homologation Ex

## 7.5 Caractéristiques mécaniques

Dimensions voir fiche technique  
 Masse env. 1,0 kg

### Material

Matériau du boîtier Aluminium à revêtement synthétique  
 Autres pièces externes Acier inoxydable (V4A), PC, PE, POM, PTFE  
 Matériau d'étanchéité EPDM, NBR, FKM

## 7.6 Caractéristiques électriques

Classe de protection 3 selon VDE 0580

Raccordements 2 presse-étoupes (M20 x 1,5) avec bornes vissées 0,14 – 1,5 mm<sup>2</sup> ou connecteurs ronds

Tension d'alimentation 24 V DC ±10 %, ondulation résiduelle maxi 10 %

Puissance absorbée < 5 W

Données d'entrée pour le signal valeur effective

4 ... 20 mA: Résistance d'entrée 180 Ω  
 Résolution 12 bit

Fréquence: Plage de mesure 0 ... 1000 Hz  
 Résistance d'entrée 17 kΩ  
 Résolution 1‰ de la valeur mesurée  
 Signal d'entrée > 300 mV<sub>ss</sub>, forme du signal sinus, rectangle, triangle

Pt 100: Plage de mesure -20 ... +220 °C  
 Résolution < 0,1 °C  
 Courant de mesure < 1 mA

Données d'entrée pour le signal de consigne

0/4 ... 20 mA: Résistance d'entrée 180 Ω  
 Résolution 12 bit

0 ... 5/10 V: Résistance d'entrée 19 kΩ  
 Résolution 12 bit

Message de retour analogique

Courant maxi 10 mA  
 (pour sortie de tension 0 ... 5/10 V)

Charge 0 ... 560 Ω  
 (pour sortie de courant 0/4 ... 20 mA)

Interrupteurs de proximité inductifs

Limitation de courant de 100 mA

Sorties binaires

isolation électrique  
 Limitation de courant 100 mA, sortie cadencée en cas de surcharge

Entrée binaire

isolation électrique  
 0 ... 5 V = log „0“, 10 ... 30 V = log „1“  
 entrée inversée, inversée en conséquence  
 (courant d'entrée < 6 mA)



## 7.7 Caractéristiques pneumatiques

Fluide de command	Classes de qualité selon DIN ISO 8573-1
Teneur en poussières	Classe 5, taille maximale des particules 40 µm, densité maximale des particules 10 mg/m <sup>3</sup>
Teneur en eau	Classe 3, point de rosée maximal - 20 °C ou minimal 10 °C sous la température de service la plus basse
Teneur en huile	Classe 5, maxi 25 mg/m <sup>3</sup>
Plage de température de l'air comprimé	0 ... +60 °C
Plage de pression	1,4 ... 7 bar
Débit d'air	95 I <sub>N</sub> / min (avec 1,4 bar*) pour alimentation en air et purge d'air  150 I <sub>N</sub> / min (avec 6 bar*) pour alimentation en air et purge d'air  (Q <sub>Nh</sub> = 100 I <sub>N</sub> / min (selon définition pour chute de pression de 7 à 6 bar absolue).
Raccordements	Filetage intérieur G1/4"

\* Indications de pression : Surpression par rapport à la pression atmosphérique

## 8 COMMANDE

### 8.1 Description des éléments de commande et d'affichage

**Éléments d'affichage niveau de process :**

- Symbole enregistrement
- Symbole pour la régulation de position
- Symbole pour la régulation de process
- Symbole pour l'état de marche AUTOMATIQUE

D'autres symboles sont affichés selon les fonctions activées. Voir Manuel d'utilisation, type EP 501 / EP 501 C

**Éléments de commande :**

- Touche de sélection droite
- Touche flèche ▼, Flèche vers le bas
- Touche flèche ▲, Flèche vers le haut
- Touche de sélection gauche

Fig. 4 : Éléments d'affichage niveau de process : Éléments de commande

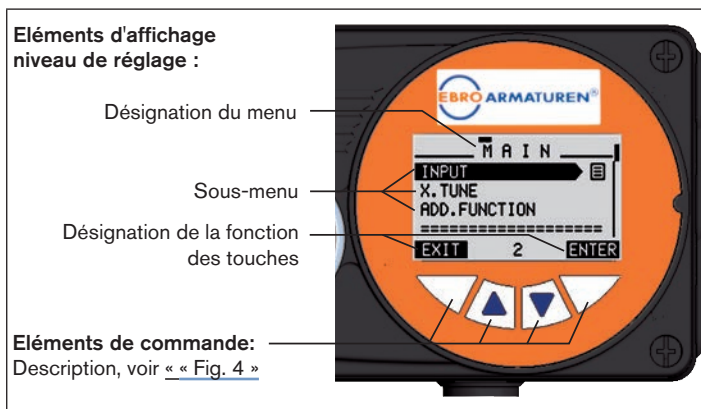


Fig. 5 : Éléments d'affichage niveau de réglage

L'affichage à l'écran s'adapte aux fonctions réglées et au niveau de commande.

On différencie cependant l'image de l'écran entre le niveau de process et le niveau de réglage.

Après la mise sous tension de service, l'écran affiche le niveau de process.



\* Les valeurs de process affichées en état de marche AUTOMATIQUE dépendent du type.

Vous trouverez un descriptif détaillé dans le manuel d'utilisation de l'appareil.

## 8.2 Fonction des touches

Les fonctions des 4 touches du pupitre diffèrent suivant l'état de marche (AUTOMATIQUE ou MANUEL) et le niveau de commande (niveau de process ou niveau de réglage).

Les fonctions de touches actives sont affichées dans le champ de texte gris au-dessus des touches.

Fonctions des touches au niveau de process :			
Touche	Fonction de touche	Description de la fonction	Etat de marche
Touche flèche ▲	<b>OPN</b> (OUVERT)	Ouverture manuelle de l'actionneur	MANUEL
		Changement de la valeur affichée (par ex. POS-CMD-TEMP-...)	AUTOMATIQUE
Touche flèche ▼	<b>CLS</b> (FERME)	Fermeture manuelle de l'actionneur	MANUEL
		Changement de la valeur affichée (par ex. POS-CMD-TEMP-...)	AUTOMATIQUE
Touche de sélection 	<b>MENU</b>	Passage au niveau de réglage Remarque : Appuyer env. 3 sec. sur la touche.	AUTOMATIQUE ou MANUEL
Touche de sélection 	<b>AUTO</b>	Retour à l'état de marche AUTOMATIQUE	MANUEL
	<b>MANUEL</b>	Commutation en état de marche MANUEL	AUTOMATIQUE

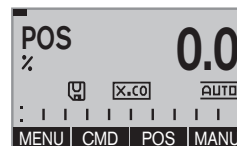
Fonctions des touches au niveau de réglage :		
Touche	Fonction de touche	Description de la fonction
Touche flèche ▲		Naviguer vers le haut dans les menus
	<b>+</b>	Agrandissement des valeurs numériques
Touche flèche ▼		Naviguer vers le bas dans les menus
	<b>-</b>	Diminution des valeurs numériques
	<b>&lt; -</b>	Passage d'un emplacement vers la gauche ; lors de la saisie de valeurs numériques
Touche de sélection 	<b>EXIT</b> (RETOUR)	Retour au niveau de process Retour pas à pas d'un point de sous-menu
	<b>ESC</b>	Quitter un menu
	<b>STOP</b>	Annulation d'une action
	<b>ENTER</b> <b>SELEC</b> <b>OK</b> <b>INPUT</b>	Sélection, activation ou désactivation d'un point de menu
Touche de sélection 	<b>EXIT</b> (RETOUR)	Retour pas à pas d'un point de sous-menu
	<b>RUN</b>	Démarrage d'une action
	<b>STOP</b>	Annulation d'une action

Tab. 1 : Fonction des touches

## 9 ETATS DE MARCHE

L'appareil dispose de 2 états de marche : AUTOMATIQUE et MANUEL.

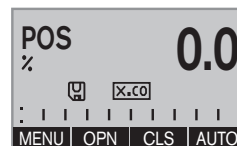
### AUTOMATIQUE



En état de marche AUTOMATIQUE, le fonctionnement de régulation normal est exécuté.

(Le symbole AUTOMATIQUE **AUTO** est affiché à l'écran. Une barre progresse au bord supérieur de l'écran).

### MANUEL



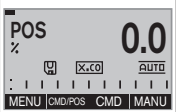
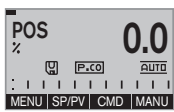
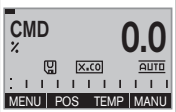
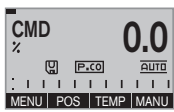
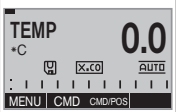
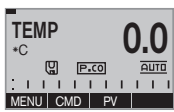
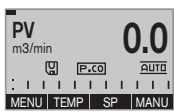
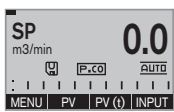
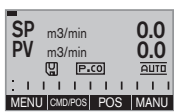
En état de marche MANUEL, la vanne peut être ouverte ou fermée manuellement à l'aide des touches flèche ▲ ▼ (Fonctions de touches **OPN** et **CLS**).

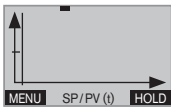


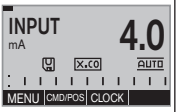
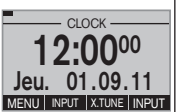

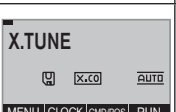


(Le symbole AUTOMATIQUE **AUTO** est affiché. Pas de barre au bord supérieur de l'écran).

### 9.1 Changement d'état de marche

Commutation en état de marche MANUEL (disponible uniquement lors de l'affichage de la valeur de process : POS, CMD, PV, SP)	<b>MANU</b>	appuyer
Retour à l'état de marche AUTOMATIQUE	<b>AUTO</b>	appuyer

## 9.2 Affichage en l'état de marche AUTOMATIQUE

Type EP 501	Description de l'affichage	Type EP 501 C
	Position réelle de l'actionneur de vanne (0 ... 100%)	
	Position de consigne de l'actionneur de vanne (0 ... 100%)	
	Température interne du boîtier du positionneur (°C)	
	Valeur effective de process	
	Valeur de consigne de process	
	Affichage simultané de la position de consigne et de la position réelle de l'actionneur de vanne (0 ... 100 %)	

Type EP 501	Description de l'affichage	Type EP 501 C
	Représentation graphique de <i>SP</i> et <i>PV</i> avec axe de temps	
	Représentation graphique de <i>POS</i> et <i>CMD</i> avec axe de temps	
	Signal d'entrée pour la position de consigne (0 ... 5/10 V / 0/4 ... 20 mA)	
	Heure, jour de la semaine et date	
	Adaptation automatique du positionneur (régulateur de position)	
	Optimisation automatique des paramètres du régulateur de process	

Type EP 501	Description de l'affichage	Type EP 501 C
	Linéarisation automatique des caractéristiques de processus	
	Affichage simultané de la position de consigne et de la position réelle de l'actionneur de vanne (0 ... 100 %)	

### 9.3 Mastercode

La commande de l'appareil peut être verrouillée au moyen d'un code utilisateur au choix. Indépendamment de cela, il existe un mastercode non modifiable vous permettant d'exécuter toutes les commandes sur l'appareil. Ce mastercode à 4 chiffres est indiqué aux dernières pages de ce manuel d'utilisation, au chapitre « *Mastercode* ».

Si nécessaire, découpez le code et conservez-le séparé de ces instructions de service.

## 10 NIVEAUX DE COMMANDE

La commande et le réglage de l'appareil sont effectués au niveau de process et au niveau de réglage.

### Niveau de process :

Ce niveau permet d'afficher et de piloter le process en cours.

- Etat de marche : AUTOMATIQUE – Affichage des données de process
- MANUEL – Ouverture et fermeture manuelles de la vanne

### Niveau de réglage :

Ce niveau permet d'effectuer les réglages de base du process.

- Saisie des paramètres de fonctionnement
- Activation des fonctions supplémentaires



Si l'appareil se trouve en état de marche AUTOMATIQUE, lors de la commutation au niveau de réglage, le process continue pendant le réglage.

### 10.1 Passage entre les niveaux de commande

Passage au niveau de réglage		appuyer pendant 3 secondes
Retour au niveau de process		appuyer brièvement

## 11 AJOUT ET MONTAGE

### 11.1 Montage d'appareils pour une zone Ex

Lors du montage en zone protégée contre l'explosion, respecter l'« Information supplémentaire pour l'utilisation en zone Ex » fournie avec les appareils Ex.

### 11.2 Montage sur une vanne continue avec actionneur pivotant

L'axe du système de mesure de déplacement intégré dans le positionneur est couplé directement à l'axe de l'actionneur pivotant.



#### AVERTISSEMENT !

##### Risque de blessures dû à un montage non conforme !

- ▶ Le montage doit être effectué uniquement par un personnel qualifié et habilité disposant de l'outillage approprié !

##### Risque de blessures dû à la mise en marche involontaire de l'installation et le redémarrage non contrôlé !

- ▶ Empêchez tout actionnement involontaire de l'installation.
- ▶ Garantisiez un redémarrage contrôlé après le montage.

#### Procédure à suivre :

- Déterminer la position de montage de l'appareil :
  - parallèlement à l'actionneur ou
  - tourné de 90° par rapport à l'actionneur.
- Rechercher la position de base et le sens de rotation de l'actionneur.
- Engager l'adaptateur sur l'axe de l'appareil et le fixer avec 2 tiges filetées.



#### Protection anti-torsion : Tenir compte de la surface plate de l'axe !

En guise de protection anti-torsion, l'une des tiges filetées doit reposer sur la surface plate de l'axe (voir « Fig. 6 »).

#### Plage de rotation du système de mesure de déplacement :

La plage de rotation maximale du système de mesure de déplacement est de 180°.

L'axe du type EP 501 / EP 501 C peut être déplacé uniquement dans cette plage.

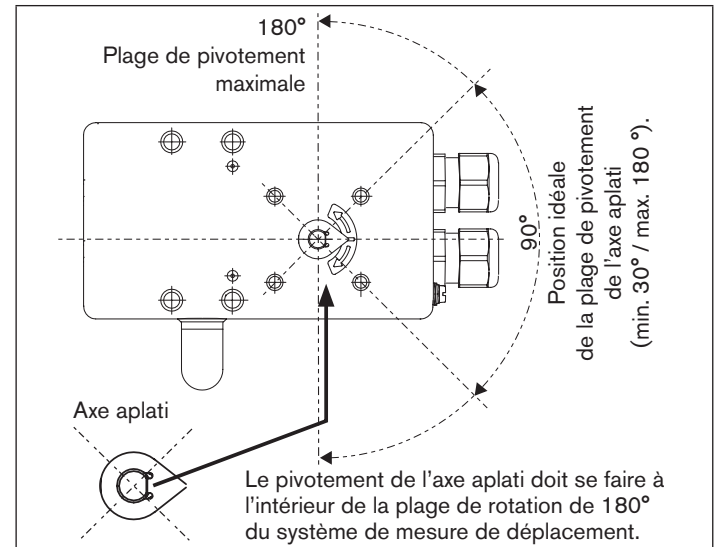


Fig. 6 : Plage de rotation / Protection anti-torsion

## Type EP 501

### Ajout et montage



- Monter l'adaptateur de montage\* en plusieurs pièces adapté à l'actionneur.
- Fixer l'adaptateur de montage sur le type EP 501 / EP 501 C avec 4 vis à tête cylindrique ③ et des rondelles élastiques ④ (voir « Fig. 7 »).

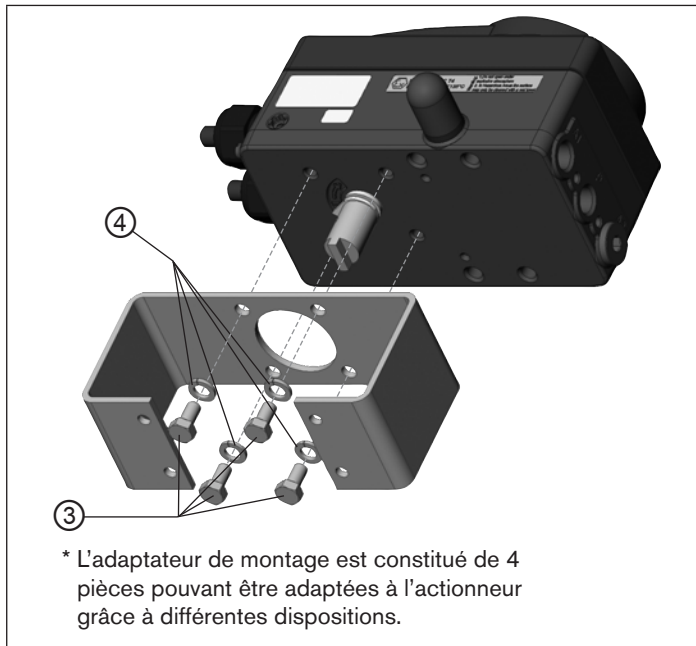


Fig. 7 : Fixer l'adaptateur de montage (représentation schématique)

- Mettre en place le type EP 501 / EP 501 C avec adaptateur de montage sur l'actionneur pivotant et le fixer (voir « Fig. 8 »).

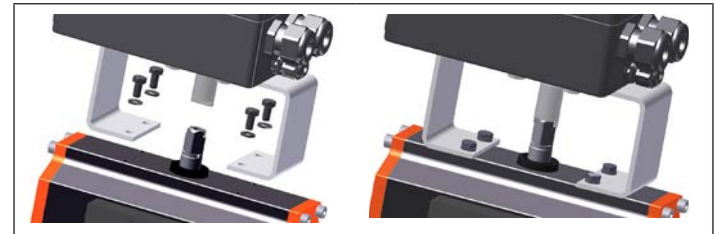


Fig. 8 : Fixation de l'actionneur pivotant

- ❗ Si après démarrage de la fonction *X.TUNE* le message *X.TUNE ERROR 5* apparaît sur l'afficheur graphique, l'alignement de l'axe du type EP 501 / EP 501 C par rapport à celui de l'actionneur n'est pas correct
  - Vérifiez l'alignement (comme déjà décrit dans ce chapitre).
  - Recommencez ensuite la fonction *X.TUNE*.

## 12 SYSTÈME EXTERNE DE MESURE DE DÉPLACEMENT

Dans cette version, le type EP 501 C ne dispose pas de système de mesure de déplacement interne sous forme d'un capteur d'angle de rotation. Au contraire, il est relié à un capteur de déplacement externe de 4...20-mA. Celui-ci étant raccordé à une interface analogique, le type EP 501 L ne peut être utilisé qu'en tant que positionneur (régulateur de position).

Type	Interface	Capteur	Réglage au menu (ADD.FUNCTION)
EP 501 L	analogique (4 ... 20 mA)*	indifférent, capteur de déplacement à grande résolution	POS.SENSOR → ANALOGIQUE

Tab. 2 : Raccordement du système de mesure de déplacement externe pour le type EP 501 L

De principe, tout capteur de déplacement avec une sortie de 4 ... 20 mA possédant une résolution suffisante du signal de déplacement peut être raccordé.

De bonnes propriétés de régulation sont obtenues lorsque la résolution du capteur de déplacement autorise au moins 1 000 mesures sur la course à détecter.

Exemple: Capteur de déplacement avec plage de mesure de 150 mm dont plage de mesure utilisée (= course) 100 mm

Résolution minimale exigée du capteur :

$$\frac{100 \text{ mm}}{1000 \text{ pas}} = 0,1 \text{ mm}$$

### 12.1 Raccordement du système de mesure de déplacement externe

→ Raccorder le capteur de déplacement 4 ... 20 mA aux bornes 1 - 4 du type EP 501 L (voir chapitre « [14.5.1 Affectation des bornes de l'entrée de valeur effective de process](#) »).

Alimentation interne du capteur de déplacement par le type EP 501 L :

→ Raccordement suivant type d'entrée « 4 ... 20 mA- alimentation interne ».

Alimentation séparée du capteur de déplacement :

→ Raccordement suivant type d'entrée « 4 ... 20 mA- alimentation externe ».

→ Monter le capteur de déplacement sur l'actionneur.

La procédure à suivre est décrite dans les instructions du capteur de déplacement.

→ Raccorder l'air comprimé au type EP 501 L.

→ Raccorder pneumatiquement le type EP 501 L, à l'actionneur.

→ Activer la tension de service du type EP 501 L.

→ Pour obtenir la meilleure précision de régulation possible, régler le capteur de déplacement de sorte que la course à détecter corresponde à la plage de signal 4 ... 20 mA (uniquement si le capteur de déplacement est doté de cette fonction).

→ Activer, au menu *ADD.FUNCTION*, la fonction *POS.SENSOR*. Puis, sélectionner *POS.SENSOR* au menu principal et régler *ANALOG*. La procédure est décrite dans le manuel d'utilisation pour l'appareil, au chapitre « Mise en service et commande du régulateur de process / Fonctions supplémentaires / POS.SENSOR ».

→ Exécuter la fonction *X.TUNE*.



## 13 RACCORD PNEUMATIQUE

### DANGER !

Risque de blessures dû à la présence de haute pression dans l'installation !

- ▶ Avant de desserrer les conduites et les vannes, coupez la pression et purgez l'air des conduites.

### AVERTISSEMENT !

Risque de blessures dû à un montage non conforme !

- ▶ Le montage doit être effectué uniquement par un personnel qualifié et habilité disposant de l'outillage approprié !

Risque de blessures dû à la mise en marche involontaire de l'installation et le redémarrage non contrôlé !

- ▶ Empêchez tout actionnement involontaire de l'installation.
- ▶ Garantisiez un redémarrage contrôlé après le montage.

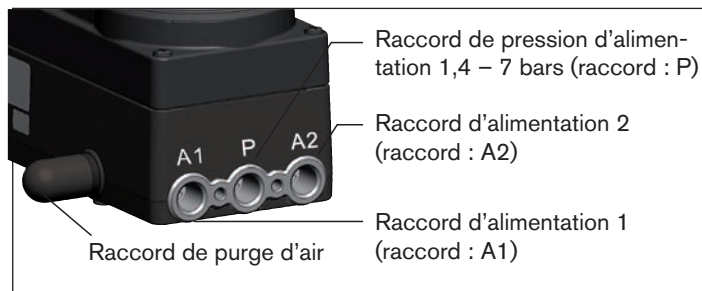


Fig. 9 : Installation pneumatique / Position des raccords

### Procédure à suivre :

→ Appliquer la pression d'alimentation (1,4 – 7 bar) au raccord de pression d'alimentation P.

### Pour les actionneurs à simple effet (fonction de commande A et B):

→ Relier un raccord d'alimentation (A1 ou A2, en fonction de la position finale de sécurité souhaitée) avec la chambre de l'actionneur simple effet. Positions finales de sécurité, voir chapitre « 13.1.1 ».

→ Obturer le raccord d'alimentation non utilisé avec un bouchon.

### Pour les actionneurs à double effet (fonction de commande I):

→ Relier les raccords d'alimentation A1 et A2 avec les chambres correspondantes de l'actionneur double effet. Positions finales de sécurité, voir chapitre « 13.1.2 ».



### Information importante pour garantir un comportement de régulation parfait !

Pour que le comportement de régulation dans la course supérieure ne subisse pas de forte influence négative du fait d'une différence de pression trop faible,

- maintenez la pression d'alimentation appliquée à au moins 0,5 – 1 bar au-dessus de la pression nécessaire pour amener l'actionneur pneumatique dans sa position finale.

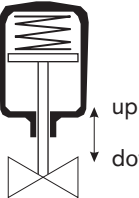
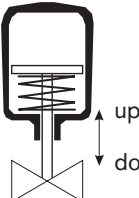
Si les variations sont plus importantes, les paramètres du régulateur mesurés avec la fonction X.TUNE ne sont pas optimaux.

- Maintenez les variations de la pression d'alimentation pendant le fonctionnement aussi faibles que possible (maxi  $\pm 10\%$ ).

### 13.1 Positions finales de sécurité

La position finale de sécurité après une panne d'énergie auxiliaire électrique dépend du raccordement pneumatique de l'actionneur au raccord d'alimentation A1 ou A2.

#### 13.1.1 Actionneurs à simple effet

Type d'actionneur	Positions finales de sécurité après une panne	
	d'énergie auxiliaire électrique	d'énergie auxiliaire pneumatique
 <p>Fonction de commande A</p>	<p>down</p> <p>→ Raccordement selon la « Fig. 10 »</p>	down
	<p>up</p> <p>→ Raccordement selon la « Fig. 11 »</p>	
 <p>Fonction de commande B</p>	<p>up</p> <p>→ Raccordement selon la « Fig. 10 »</p>	up
	<p>down</p> <p>→ Raccordement selon la « Fig. 11 »</p>	

Tab. 3 : Positions finales de sécurité - actionneurs à simple effet

#### Actionneurs à simple effet - Fonction de commande A ou B



Raccord d'alimentation A1 sur l'actionneur  
Obturer le raccord d'alimentation A2

Fig. 10 : Raccord A1



Raccord d'alimentation A2 sur l'actionneur  
Obturer le raccord d'alimentation A1

Fig. 11 : Raccord A2

### 13.1.2 Actionneur à double effet

Type d'actionneur	Positions finales de sécurité après une panne	
	d'énergie auxiliaire électrique	d'énergie auxiliaire pneumatique
<p>Fonction de commande I</p>	→ Raccordement voir « Fig. 12 »	non défini
	up = chambre basse de l'actionneur sur A2	
	down = chambre supérieure de l'actionneur sur A2	

Tab. 4 : Positions finales de sécurité - actionneur à double effet

#### Actionneur à double effet - Fonction de commande I



Raccordement :  
Raccords d'alimentation A1 et A2 sur l'actionneur

Position finale de sécurité :  
up = chambre basse sur A2  
down = chambre supérieure sur A2

Fig. 12 : Raccord : Fonction de commande I

## 14 INSTALLATION ÉLECTRIQUE



Vous trouverez les descriptions du raccordement électrique des versions PROFIBUS-DP au chapitre « 15 PROFIBUS DP »

### 14.1 Consignes de sécurité



#### DANGER !

##### Risque de choc électrique !

- ▶ Avant d'intervenir dans l'appareil ou l'installation, coupez la tension et empêchez toute remise sous tension par inadvertance !
- ▶ Veuillez respecter les réglementations en vigueur pour les appareils électriques en matière de prévention des accidents ainsi qu'en matière de sécurité !



#### AVERTISSEMENT !

##### Risque de blessures dû à un montage non conforme !

- ▶ Le montage doit être effectué uniquement par un personnel qualifié et habilité disposant de l'outillage approprié !

##### Risque de blessures dû à la mise en marche involontaire de l'installation et le redémarrage non contrôlé !

- ▶ Empêchez tout actionnement involontaire de l'installation.
- ▶ Garantisiez un redémarrage contrôlé après le montage.

## 14.2 Raccordement électrique avec presse-étoupe



### Utilisation de l'entrée de valeur consigne 4 – 20 mA

Si la tension de service d'un appareil de type EP 501 / EP 501 C, monté en série avec plusieurs appareils tombe en panne dans cette série, la résistance ohmique de l'entrée de l'appareil en panne devient élevée.

Ceci entraîne l'absence du signal normalisé 4 – 20 mA. Dans ce cas, adressez vous directement au service après-vente EBRO.

### 14.2.1 Platine de raccordement avec bornes vissées

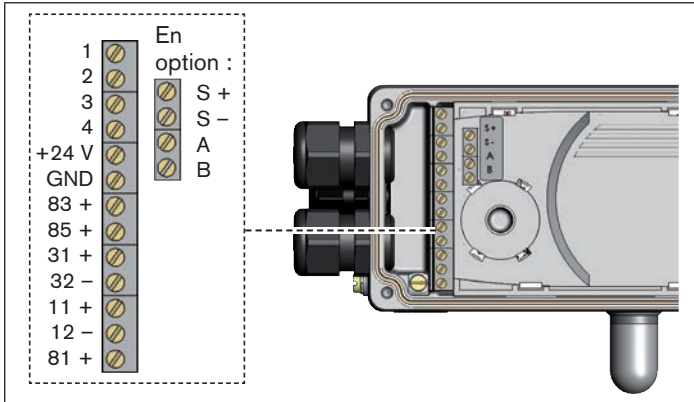


Fig. 13 : Désignation des bornes vissées

### Procédure à suivre :

- Dévisser les 4 vis du couvercle du boîtier et retirer le couvercle. Les bornes vissées sont maintenant accessibles.
- Raccorder le type EP 501/EP 501 C. La procédure à suivre est décrite aux chapitres suivants.

## 14.3 Affectation des bornes pour presse-étoupe – positionneur type EP 501

### 14.3.1 Signaux d'entrée du poste de commande (par ex. API)

Borne	Affectation	Côté appareil	Câblage externe / niveau de signal
11 +	Valeur de consigne +	11 +	+ (0/4 ... 20 mA ou 0 ... 5 / 10 V) isolation électrique complète
12 -	Valeur de consigne GND	12 -	GND Valeur de consigne
81 +	Entrée binaire +	81 +	+ $\begin{cases} 0 \dots 5 \text{ V (log. 0)} \\ 10 \dots 30 \text{ V (log. 1)} \end{cases}$ par rapport à la tension de service GND (borne GND)

Tab. 5 : Affectation des bornes ; signaux d'entrée du poste de commande

### 14.3.2 Signaux de sortie vers le poste de commande (par ex. API) - nécessaire uniquement avec l'option sortie analogique et/ou sortie binaire

→ Raccorder les bornes conformément à la version (options) du positionneur.

Borne	Affectation	Côté appareil	Câblage externe / niveau de signal
83 +	Sortie binaire 1	83 +	24 V / 0 V, NC / NO par rapport à la tension de service GND (borne GND)
85 +	Sortie binaire 2	85 +	24 V / 0 V, NC / NO par rapport à la tension de service GND (borne GND)
31 +	Message de retour + analogique	31 +	+ (0/4 ... 20 mA ou 0 ... 5 / 10 V) isolation électrique complète
32 -	Message de retour GND analogique	32 -	GND Message de retour analogique

Tab. 6 : Affectation des bornes ; signaux de sortie vers le poste de commande

### 14.3.3 Tension de service

Borne	Affectation	Côté appareil	Câblage externe / niveau de signal
+24 V	Tension de service +	+24 V	24 V DC ± 10 % ondulation résiduelle maxi 10 %
GND	Tension de service GND	GND	

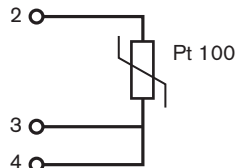
Tab. 7 : Affectation des bornes ; tension de service

### 14.4 Affectation des bornes pour presse-étoupe – régulateur de process type EP 501 C

→ Raccorder d'abord le régulateur de process comme décrit au chapitre « 14.3 Affectation des bornes pour presse-étoupe – positionneur type EP 501 ».

#### 14.4.1 Affectation des bornes de l'entrée de valeur effective de process

Type d'entrée*	Borne	Affectation	Côté appareil	Câblage externe
4 ... 20 mA, alimentation interne	actual value	1	+24 V Entrée transmetteur	
		2	Sortie du transmetteur	
		3	Pont à GND (Borne GND de la tension de service)	
		4	non affecté	
	GND	GND de la tension de service		
4 ... 20 mA, alimentation externe	actual value	1	non affecté	
		2	Eff. process +	
		3	Eff. process -	
		4	non affecté	

Type d'entrée*	Borne	Affectation	Côté appareil	Câblage externe
Fréquence, alimentation interne	actual value	1	+24 V	+24 V
		2	Entrée cadencée +	Cadence +
		3	non affecté	
		4	Entrée cadencée -	Cadence -
	GND	GND de la tension de service	GND	Cadence - (GND)
Fréquence, alimentation externe	actual value	1	non affecté	
		2	Entrée cadencée +	Cadence +
		3	non affecté	
		4	Entrée cadencée -	Cadence -
Pt 100 voir remarque**	actual value	1	non affecté	
		2	Eff. process 1 (alimentation en courant)	
		3	Eff. process 3 (GND)	
		4	Eff. process 2 (compensation)	
		GND	GND de la tension de service	

\* Réglable avec le logiciel (voir manuel d'utilisation « 16.2.1 Détermination des réglages de base », page 90).

Tab. 8 : Affectation des bornes de l'entrée de valeur effective de process

**!** \*\* Pour des raisons de compensation de lignes, raccordez le capteur Pt 100 à l'aide de 3 conducteurs. Pontez obligatoirement les broches 3 et 4 sur le capteur.

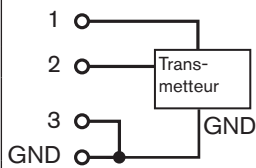
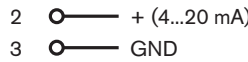
Après application de la tension de service, le positionneur est en marche.

→ Effectuer maintenant les réglages de base nécessaires et déclencher l'adaptation automatique du positionneur. Voir chapitre « 16.3 Mise en service type EP 501 C ».

### 14.5 Affectation des bornes pour presse-étoupe – Typ EP 501 L

→ Raccorder d'abord l'appareil comme décrit au chapitre « 14.3 Affectation des bornes pour presse-étoupe – positionneur type EP 501 ».

#### 14.5.1 Affectation des bornes de l'entrée de valeur effective de process

Type d'entrée*	Borne	Affectation	Côté appareil	Câblage externe
4 ... 20 mA, alimentation interne	actual value	1	+24 V Entrée transmetteur	
		2	Sortie du transmetteur	
		3	Pont à GND (Borne GND de la tension de service)	
		4	non affecté	
	GND	GND de la tension de service		
4 ... 20 mA, alimentation externe	actual value	1	non affecté	
		2	Eff. process +	
		3	Eff. process -	
		4	non affecté	

## 15 PROFIBUS DP

### 15.1 Désignation des connecteurs ronds et des contacts type EP 501 P

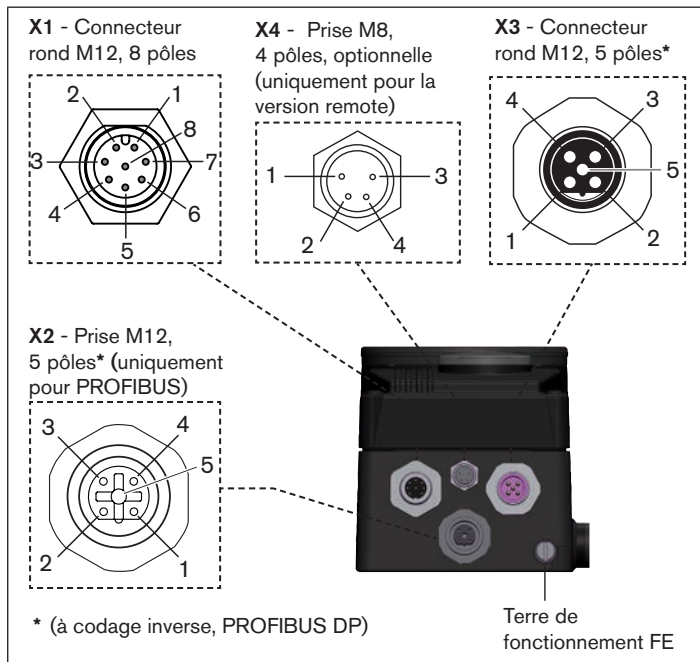


Fig. 14 : PROFIBUS DP connecteurs ronds et contacts - type EP 501 P

### 15.2 Installation électrique PROFIBUS



#### DANGER !

##### Risque de choc électrique !

- ▶ Avant d'intervenir dans l'appareil ou l'installation, coupez la tension et empêchez toute remise sous tension par inadvertance !
- ▶ Veuillez respecter les réglementations en vigueur pour les appareils électriques en matière de prévention des accidents ainsi qu'en matière de sécurité !



#### AVERTISSEMENT !

##### Risque de blessures dû à un montage non conforme !

- ▶ Le montage doit être effectué uniquement par un personnel qualifié et habilité disposant de l'outillage approprié !

##### Risque de blessures dû à la mise en marche involontaire de l'installation et le redémarrage non contrôlé !

- ▶ Empêchez tout actionnement involontaire de l'installation.
- ▶ Garantisiez un redémarrage contrôlé après le montage.







#### REMARQUE !

La compatibilité électromagnétique (CEM) n'est garantie que si l'appareil est raccordé correctement à un point de mise à la terre.

Un raccord TE situé à l'extérieur sur le boîtier sert au raccordement de la terre technique (TE).


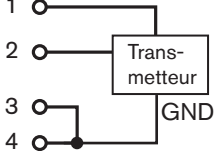

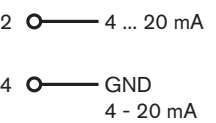

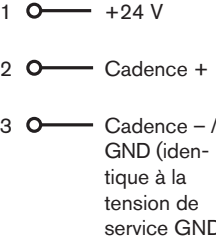
- Reliez le raccord TE au point de mise à la terre en utilisant un câble aussi court que possible (longueur maximale 30 cm).

**15.2.1 X1 - Connecteur rond M12, 8 pôles**

Broche	Affectation	Côté appareil	Câblage externe / Niveau de signal
1	non affecté		
2	non affecté		
<b>Tension de service</b>			
3	GND	3 	24 V DC $\pm$ 10 % ondulation résiduelle maxi 10 %
4	+24 V	4 	
<b>Signaux d'entrée du poste de commande (par ex. API)</b>			
5	Entrée binaire +	5 	$\begin{cases} 0 \dots 5 \text{ V} & (\text{log. } 0) \\ 10 \dots 30 \text{ V} & (\text{log. } 1) \end{cases}$ GND (identique à broche 3)
6	Entrée binaire -	6 	
<b>Signaux de sortie vers le poste de commande (par ex. API) - documenté uniquement sur l'option Sortie binaire</b>			
7	Sortie binaire 1 (par rapport à la broche 3)	7 	0 ... 24 V
8	Sortie binaire 2 (par rapport à la broche 3)	8 	0 ... 24 V

Tab. 9 : Affectation des broches ; X1 - connecteur rond M12, 8 pôles, PROFIBUS DP

**15.2.2 X5 - Connecteur rond M8, 4 pôles - valeur effective de process (type EP 501 C)**

Type d'entrée**	Broche	Affectation	Inter-rupteur DIP ***	Côté appareil	Câblage externe
4 ... 20 mA, alimentation interne	1	(brun)* +24 V Alimentation transmetteur	 Inter-rupteur gauche		
	2	(blanc)* Sortie du transmetteur			
	3	(bleu)* GND (identique à la tension de service GND)			
	4	(noir)* Pont à GND (broche 3)			
4 ... 20 mA, alimentation externe	1	(brun)* non affecté	 Inter-rupteur droit		
	2	(blanc)* Eff. process +			
	3	(bleu)* non affecté			
	4	(noir)* Eff. process -			
Fréquence, alimentation interne	1	(brun)* +24 V Alimentation capteur	 Inter-rupteur gauche		
	2	(blanc)* Entrée cadencée +			
	3	(bleu)* Entrée cadencée - (GND)			
	4	(noir)* non affecté			



Type d'entrée**	Broche	Affectation	Interrupteur DIP ***	Côté appareil	Câblage externe
Fréquence, alimentation externe	1	(brun)* non affecté		2	Cadence +
	2	(blanche)* Entrée cadencée +			
	3	(bleu)* Entrée cadencée -			
	4	(noir)* non affecté			
Pt 100 (voir remarque)	1	(brun)* non affecté		2	
	2	(blanc)* Eff. process 1 (alimentation en courant)			
	3	(bleu)* Eff. process 3 (GND)			
	4	(noir)* Eff. process 2 (Kompensation)			

\* Les couleurs indiquées se rapportent au câble de raccordement disponible comme accessoire sous le n° ID. 918718.

\*\* Réglable avec le logiciel (voir manuel d'utilisation, chapitre « 16.2.1 Détermination des réglages de base », page 90).

\*\*\* Le connecteur se trouve à l'intérieur de l'appareil sur la platine

Tab. 10 : PROFIBUS DP; X5 - connecteur ronde M8, 4 pôles - entrée de valeur effective de process, (uniquement Typ EP 501 C)



Pour des raisons de compensation de lignes, raccordez le capteur Pt 100 à l'aide de 3 conducteurs. Pontez obligatoirement les broches 3 et 4 sur le capteur.

### 15.3 Installation électrique PROFIBUS

Pour utiliser l'appareil, il faut absolument raccorder :

- X1 - connecteur rond M12, 8 pôles (tension de service, voir « Tab. 9 ») et
- X2 - prise M12, 5 pôles, à codage inverse (PROFIBUS DP, voir « Tab. 11 »).

#### 15.3.1 X2/X3 - Prise/connecteur rond M12 à 5 pôles - raccordement bus

Broche	Affectation	Câblage externe / Niveau de signal
1	VP+5	Alimentation des résistances terminales
2	RxD/TxD-N	Données de réception/données de transmission, -N, câble A
3	DGND	Potential de transmission de données (masse à 5 V)
4	RxD/TxD-P	Données de réception/données de transmission, -P, câble B
5	Schirm	Blindage / terre de protection

Tab. 11 : Affectation des broches ; X2/X3 - prise/connecteur rond M12, 5 pôles - raccordement bus, PROFIBUS DP

Après application de la tension de service, l'appareil est en marche.

→ Effectuer maintenant les réglages de base nécessaires :

#### Positionneur:

voir « 16.2.1 Détermination des réglages de base »

#### Régulateur de process:

voir « 16.3.1 Les réglages de base du régulateur de process »

## 16 MISE EN SERVICE

### 16.1 Consignes de sécurité



#### AVERTISSEMENT!

##### Risque de blessures dû à un montage non conforme.

Une utilisation non conforme peut entraîner des blessures et endommager l'appareil et son environnement.

- ▶ Avant la mise en service, il faut s'assurer que le contenu des instructions de service est connu et parfaitement compris par les opérateurs.
- ▶ Respectez les consignes de sécurité et l'utilisation conforme.
- ▶ L'appareil / l'installation doit être mis(e) en service uniquement par un personnel suffisamment formé.

### 16.2 Mise en service type EP 501

#### 16.2.1 Détermination des réglages de base



Les réglages de base sont effectués au niveau de réglage. Pour passer du niveau de process au niveau de réglage, appuyer pendant env. 3 sec. sur la touche **MENU**.

Pour la mise en service, vous devez effectuer les réglages de base suivants :

- Réglage du signal d'entrée (*INPUT*)
- Adaptation automatique du positionneur (*X.TUNE*)

#### Réglage du signal d'entrée (*INPUT*)

→ Dans le point de menu *INPUT* sélectionner le signal d'entrée pour la valeur de consigne. (4 ... 20 mA, 0 ... 20 mA, 0 ... 10 V ou 0 ... 5 V).

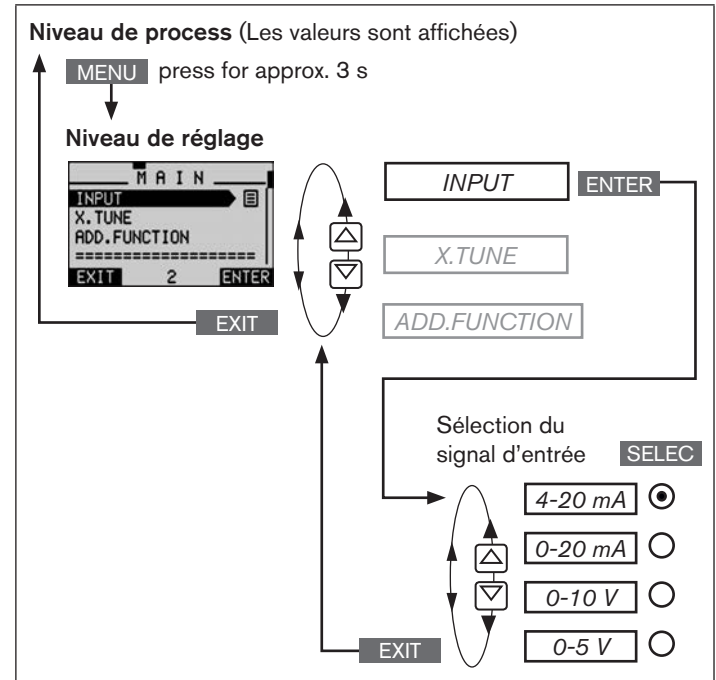


Fig. 15 : Structure de commande *INPUT*; réglage du signal d'entrée

### Adaptation automatique du positionneur aux conditions d'exploitation (X.TUNE)

#### AVERTISSEMENT !

**Danger, en cas de modification de la position de la vanne, lors de l'exécution de la fonction X.TUNE !**

Risque immédiat de blessures, lors de l'exécution de la fonction X.TUNE à la pression de service.

- ▶ Ne jamais exécuter X.TUNE lorsque le process est en cours !
- ▶ Empêchez tout actionnement involontaire de l'installation !

#### REMARQUE !

**Une pression d'alimentation ou une pression de fluide de service erronée peut entraîner une mauvaise adaptation du régulateur !**

- ▶ Exécuter X.TUNE dans tous les cas avec la pression d'alimentation disponible lors du fonctionnement ultérieur (= énergie auxiliaire pneumatique).
- ▶ Exécutez la fonction X.TUNE de préférence **sans** pression de fluide de service, afin d'exclure les perturbations dues aux forces en relation avec le débit.

Les fonctions suivantes sont déclenchées automatiquement :




- ▶ Adaptation du signal du capteur à la course (physique) de l'élément de réglage utilisé.
- ▶ Calcul des paramètres des signaux PWM pour la commande des électrovannes intégrées dans l'appareil.

- ▶ Réglage des paramètres de régulation du positionneur. L'optimisation se fait en fonction des critères d'une durée de régulation la plus courte possible avec en même temps une absence de suroscillations.




Pour annuler X.TUNE, actionnez la touche de sélection gauche ou droite **STOP**.

#### Procédure à suivre :

Touche	Action	Description
<b>MENU</b>	 appuyer pendant env. 3 secondes	Passage du niveau de process au ⇄ niveau de réglage
▲ / ▼	Sélectionner X.TUNE	
<b>RUN</b>	 maintenir appuyé tout le temps du décompte (5 ...)	Pendant l'adaptation automatique, des messages concernant la progression de X.TUNE « TUNE #1... sont affichés. X.TUNE ready ».
	appuyer une touche au choix	Retour au menu principal (MAIN)
<b>EXIT</b>	 appuyer	Passage du niveau de réglage au ⇄ niveau de process

Tab. 12 : Adaptation automatique X.TUNE



Seulement après avoir quitté le menu principal avec la touche de sélection gauche **EXIT**, les données modifiées sont enregistrées dans la mémoire (EEPROM). Pendant l'enregistrement, le symbole d'enregistrement apparaît  à l'écran.

### 16.3 Mise en service type EP 501 C





Pour pouvoir utiliser le positionneur en tant que régulateur de process, il convient d'exécuter les étapes suivantes :

#### 1. Réglage du régulateur de position :

Description, voir « 16.2.1 Détermination des réglages de base »

#### 2. Réglage du régulateur de process :

→ Ajouter la fonction supplémentaire *P.CONTROL* au menu principal (MAIN) à l'aide du menu de configuration (*ADD.FUNCTION*).

Touche	Action
MENU	 appuyer pendant env. 3 secondes
▲ / ▼	Sélectionner <i>ADD.FUNCTION</i>
ENTER	 appuyer
▲ / ▼	Sélectionner <i>P.CONTROL</i>
ENTER	 appuyer
EXIT	 appuyer

La fonction *P.CONTROL* est maintenant activée et ajoutée au menu principal (MAIN).

Tab. 13 : Ajout de fonction *P.CONTROL* dans le menu principal (MAIN)

#### 16.3.1 Les réglages de base du régulateur de process

→ Dans le menu principal (MAIN), sélectionner la fonction *P.CONTROL* et effectuer les réglages de base.

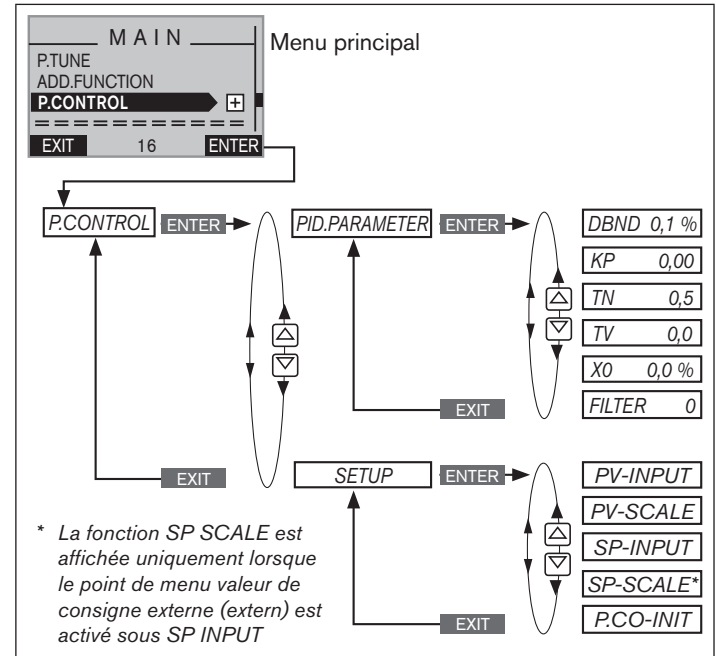


Fig. 16 : Structure de commande - réglages de base du régulateur de process

**P.CONTROL - Réglages:**

<b>PID.PARAMETER</b>	<b>Paramétrage du régulateur de process</b>
DBND 0,1 %	Plage d'insensibilité (bande morte) du régulateur de process PID
KP 0,00	Facteur d'amplification du régulateur de process
TN 0,5	Temps de compensation
TV 0,0	Durée d'action dérivée
X0 0,0 %	Point de fonctionnement
FILTER 0	Filtrage de l'entrée de valeur effective de process
<b>SETUP</b>	<b>Réglages de base du régulateur de process</b>
PV-INPUT	Indication du type de signal pour la valeur effective de process
PV-SCALE	Etalonnage du régulateur de process
SP-INPUT	Type de valeur de consigne (interne ou externe)
SP-SCALE*	Etalonnage du régulateur de position (uniquement avec valeur de consigne externe)
P.CO-INIT	Permet la commutation sans à-coups entre les l'état de marche AUTOMATIQUE et MANUEL

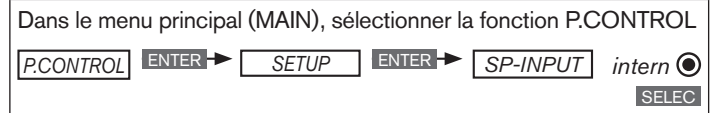
Tab. 14 : Les réglages de base du régulateur de process

**!** La fonction *P.TUNE* permet d'effectuer un paramétrage automatique (description, voir „Manuel d'utilisation type EP 501 C“)..

**16.3.2 Modification manuelle de la valeur de consigne de process**

Procédure à suivre :

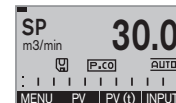
**1. Dans le niveau de réglage, régler la valeur de consigne interne :**



→ Retourner dans le niveau de process avec la touche **EXIT** (actionner celle-ci 4 fois).

**2. Dans le niveau de process, modifier manuellement la valeur de consigne de process :**

→ Avec les touches fléchées  $\triangle$   $\nabla$ , sélectionner l'affichage de la valeur de consigne de process (*SP*).



→ Appuyer sur la touche **INPUT**.

→ Entrer la valeur de consigne de process (comme cela est décrit dans la figure à droite

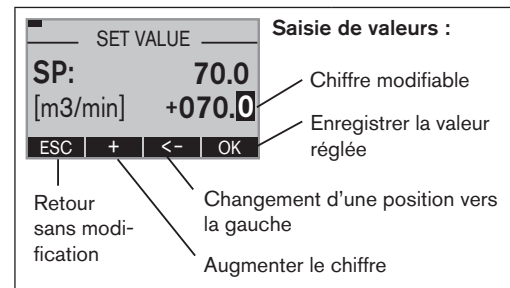


Fig. 17 : Saisie de valeurs

## 17 EMBALLAGE, TRANSPORT

### REMARQUE !

#### **Dommages dus au transport !**

Les appareils insuffisamment protégés peuvent être endommagés pendant le transport.

- Transportez l'appareil à l'abri de l'humidité et des impuretés et dans un emballage résistant aux chocs.
- Evitez le dépassement vers le haut ou le bas de la température de stockage admissible.

#### **Un mauvais stockage peut endommager l'appareil.**

- Stockez l'appareil au sec et à l'abri des poussières !
- Température de stockage : -20 - +65 °C.

## 18 ELIMINATION

→ Eliminez l'appareil et l'emballage dans le respect de l'environnement.

### REMARQUE !

#### **Dommages à l'environnement causés par des pièces d'appareil contaminées par des fluides.**

- Respecter les prescriptions en matière d'élimination des déchets et de protection de l'environnement en vigueur.



#### **Remarque :**

Respectez les prescriptions nationales en matière d'élimination des déchets.

**avrrora-arm.ru**  
**+7 (495) 956-62-18**