



INSTALLATION, SERVICE AND MAINTENANCE INSTRUCTION

***2-way solenoid valve direct acting
Normally open (NO)***

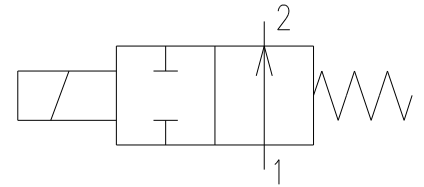
***Type: 2 VE 6 IF
2 VE 6 IFJ***

REGADA, s. r. o., Strojnícka 7
080 01 Prešov, Slovenská republika
Tel.: +421-51-7480 465, 7480 464
Fax: +421-51-7480 466
E-mail: regada@regada.sk
www.regada.sk

REGADA

75 0372 03

**2-way solenoid valves direct acting
Normally open (NO)**



Application

Two-way solenoid valves direct acting can be used for flow control of water, air and other non-aggressive medium suitable for applied materials. Valves are open at the basic position without voltage. After bringing of voltage to the coil the valve is closed.

Technical valve data according TP 75 0361/03

Type	Version	Diameter DN [mm]	Connection	Operating pressure [bar]		Medium temperature [°C]	Seal	Flow Factor Kv [m³/h]	Weight [kg]	Voltage / Power consumption
				min	max					
2 VE 6 IF	N2 E2 F2	6	G 1/4	0	1	90 110	NBR EPDM FPM	0,45	0,4	230 V / 50 Hz 15VA
2 VE 6 IFJ	N2 E2 F2					90 110	NBR EPDM FPM			24 V / DC 10 W

Ambient temperature -10 ÷ + 50 (max +75) [°C]

Applied materials

Body, flange brass

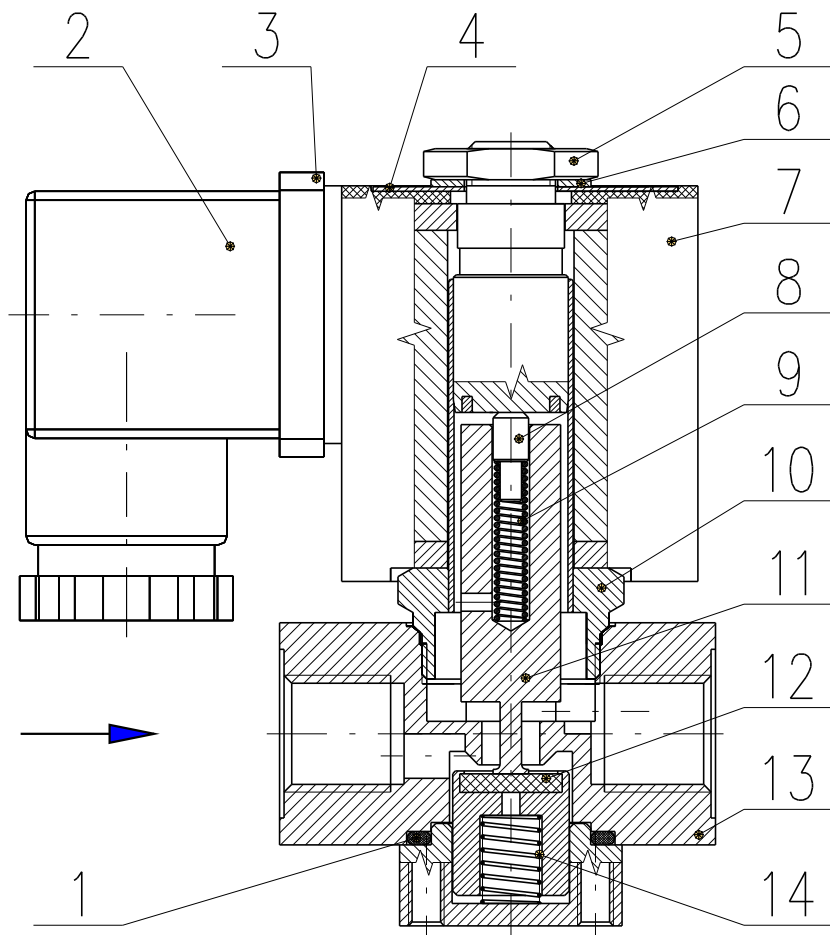
Internal parts stainless steel

Seals NBR, EPDM, FPM

Coil Regada, System 13-32, Type 24 1241 xx

Valve cut

**TYPE : 2 VE 6 IF
2 VE 6 IFJ**



Legend

- 1 – Seal
- 2 – Connector
- 3 – Seal
- 4 – Label
- 5 – Nut
- 6 – Washer
- 7 – Coil
- 8 – Peg
- 9 – Spring
- 10 – Core guider
- 11 – Core
- 12 – Seal
- 13 – Body
- 14 – Spring

Installation

Clean thoroughly pipeline system before valve installing. Dirt causes malfunction. Necessary fit filter with 0, 2 mm filtration softness of valve inlet. The valve will not open or close if the control ducts or the armature are blocked by dirt. Electromagnet may not be used to capture the torque when fitting into the pipe.

Operating position of valve is optional. Preferentially recommended is mounting with coil over the body to horizontal pipeline. Medium has to flow through in direction of arrow as marked on the body. Valve is running correctly only in marked flow direction.

Electrical connection

Connect the coil in accordance with National electrical Engineering Standards. Before coil connection check electric data on coil and mains voltage. Voltage is connected to terminals marked on terminal board. Protective conductor must be safely connected to protective terminal, which is marked on the terminal board. The electrical cable must be effectively sealed in a plug. Electric connector plug provides protection for coil IP 65.

Coil is mounted to valve rotated in 360°. The plug can be positioned on the coil by 4 x 90 °. Voltage can be connected to the coil only when assembled on the valve, the coil for alternating power can be damaged during connection, if is not slipped on the core guide.

Attention: Coil at continuous operation without media flow - DANGER OF BURNS BY TOUCH BY UNPROTECTED BODY PARTS!!!!!!! The coil is designed for continuous operation and therefore mentioned warming of coil does not restrict its permanent use. In case of excessive heating the thermal injury of coil winding would be accompanied by smoke and smell of burning coil insulation and in that case, the coil must be immediately disconnected from electrical power supply!!!!

Instruction for operation

Operating conditions should correspond with valve technical data. Temperature and medium type should correspond with seals and material of valve. By valve running is it necessary to check function rightness, seals and joints tightness.

Frozen medium causes a damage of valve and coil. Valves are not frost-proof. In case that medium freezes valve shall not be switch on because of possibility to coil damage.

Maintenance

Maintenance is necessary in case of valve failure only (no function rightness, no tightness). Preventive maintenance is advised in case of worse operating conditions, often initializing of valve or by medium pollution.

Maintenance work must be carried out only by the absence of pressure in the pipeline and with solenoid disconnected from the voltage supply.

After valve repair or replacing test the valve with 1,5 multiple of maximum operating pressure. Valve should be not initializing by testing, valve could be opened or closed by testing.

Upon request, manufacturer is able to supply some kinds of spare parts and brochures with sectional drawing and assembly instructions. By coil ordering is it necessary to set number and kind of voltage (AC or DC).

Guarantee and Service

The manufacturer is responsible for the solenoid valve properties during 12 months since delivery. In case of any claim it is required to present the solenoid valve, a document about buying (payment receipt) and these Installation, Service and Maintenance Instructions. The guarantee is not approved if the damages are caused by inappropriate impact to the regulator or with not following these Instructions.

Under-and out-of –guarantee repairs can be performed by the manufactures.

Product liquidation

Components and pack can be used as source of secondary raw material.

Product is not source of environmental pollution and doesn't include danger scrap.

Dimensions valve 2VE6IF, 2VE6IFJ

