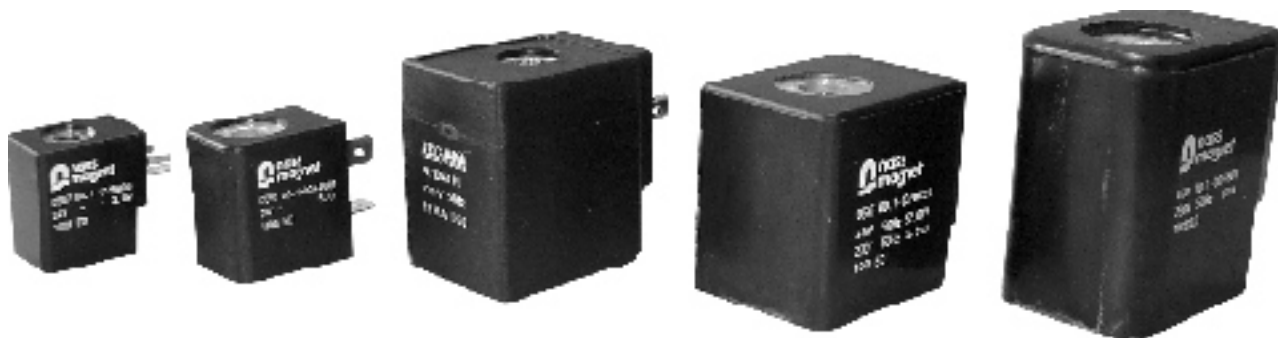


CEIVKY PRE ELEKTROMAGNETICKÉ VENTILY \ COIL FOR SOLENOID VALVES



1 Cievka pre Systém 6-16 Typ 0567 00.1-00/xxxx Coil for System 6-16 Type 0567 00.1-00/xxxx

| Obj. číslo /Code No./ | Typ \ Type \ xxxx | Katalógové číslo \ Part. No.\ | Napätie /Voltage/ | Príkon /Holding power/ | Ventil typ /Valve-type/ | Technické údaje /Technical data/ |
|-----------------------|-------------------|-------------------------------|-------------------|------------------------|---|---|
| 664031150 | 5906 | 250 6441 | 24 V / DC | 3,0 W | 2VE2P | Konektorové pripojenie Typ C / Electrical connection TYPE C (8 mm) - DIN EN 175301-803-C (ISO 15217) Krytie / Enclosure (EN 60529) IP 65 Tolerancia napätia / Voltage tolerance ±10 % Trieda izolácie / Insulation class F (155 °C) EN 61010-1 (DIN VDE 0580) Zaťaženie / Relative duty cycle 100% Hmotnosť / Weight 0,073 kg Teplota okolia / Ambient temperature -20°C ... +50°C |
| 664031151 | 5903 | 250 6145 | 230 V / 50 Hz | 4,0 VA | 2VE2C(CA,CD,CM) 3VE1P 3VE1(1A,1D) | |
| | | | | | | |

2 Cievka pre Systém 8-22 Typ 0550 00.1-00/xxxx Coil for System 8-22 Type 0550 00.1-00/xxxx

| Obj. číslo /Code No./ | Typ \ Type \ xxxx | Katalógové číslo \ Part. No.\ | Napätie /Voltage/ | Príkon /Holding power/ | Ventil typ /Valve-type/ | Technické údaje /Technical data/ |
|-----------------------|-------------------|-------------------------------|-------------------|------------------------|--|--|
| 664033220 | 5008 | 250 6954 | 12 V / DC | 2,4 W | 2 VE x M1 3 VE x M1 | Konektorové pripojenie / Electrical connection INDUSTRIAL TYP B 11 mm - DIN 43650-B (ISO/DIS 6952) Krytie / Enclosure (EN 60529) IP 65 Tolerancia napätia / Voltage tolerance ±10 % Trieda izolácie / Insulation class F (155 °C) EN 61010-1 (DIN VDE 0580) Zaťaženie / Relative duty cycle 100% Hmotnosť / Weight 0,15 kg Teplota okolia / Ambient temperature -20°C ... +50°C |
| 664033221 | 5078 | 250 4187 | 24 V / DC | 2,6 W | | |
| 664033222 | 4984 | 250 4953 | 48 V / DC | 2,7 W | | |
| 664033223 | 5023 | 250 2877 | 110 V / DC | 3,6 W | | |
| 664033224 | 5129 | 250 5835 | 12 V / DC | 6,9 W | 2(3)VE x M2; | |
| 664033225 | 4988 | 250 5248 | 24 V / DC | 6,0 W | 2(3)VE x M; 2(3)SVE x M | |
| 664033227 | 5852 | 250 9737 | 110 V / DC | 6,1 W | OSV 10 xx | |
| 664033228 | 5329 | 250 5949 | 12 V / 50 Hz | 5,8 VA | 2 VE x M1 3 VE x M1 | |
| 664033229 | 6725 | 250 5672 | 24 V / 50 Hz | 6,0 VA | | |
| 664033230 | 7054 | 250 8668 | 42 V / 50 Hz | 6,3 VA | | |
| 664033231 | 4984 | 250 4953 | 110 V / 50 Hz | 6,0 VA | | |
| 664033232 | 5130 | 250 5290 | 230 V / 50 Hz | 6,0 VA | | |
| 664033233 | 5004 | 250 7997 | 12 V / 50 Hz | 8,8 VA | 2(3)VE x M2; 2(3)VE x M; 2(3)SVE x M OSV 10 xx | |
| 664033234 | 4987 | 250 5386 | 24 V / 50 Hz | 9,2 VA | | |
| 664033236 | 4995 | 250 5024 | 110 V / 50 Hz | 8,6 VA | | |
| 664033237 | 7083 | 250 9095 | 230 V / 50 Hz | 9,4 VA | | |
| 664031189 | 4981 | 250 5046 | 12 V / DC | 4,6 W | | |
| 664031193 | 4982 | 250 2875 | 24 V / DC | 4,8 W | | |
| 664031189 | 4981 | 250 5046 | 24 V / 50 Hz | 7,1 VA | | |
| 664031193 | 4982 | 250 2875 | 48 V / 50 Hz | 8,0 VA | | |
| 664033223 | 5023 | 250 2877 | 220 V / 50 Hz | 6,0 VA | | |
| 664031140 | 4997 | 250 5647 | 230 V / 50 Hz | 7,9 VA | | |
| 664033228 | 5329 | 250 5949 | 12 V / 60 Hz | 4,7 VA | | |
| 664031189 | 4981 | 250 5046 | 24 V / 60 Hz | 5,8 VA | | |
| 664033224 | 5129 | 250 5835 | 24 V / 60 Hz | 8,9 VA | | |
| 664031193 | 4982 | 250 2875 | 48 V / 60 Hz | 6,9 VA | | |
| 664033231 | 4984 | 250 4953 | 110 V / 60 Hz | 4,9 VA | | |
| 664033236 | 4995 | 250 5024 | 110 V / 60 Hz | 6,6 VA | | |
| 664033223 | 5023 | 250 2877 | 220 V / 60 Hz | 4,9 VA | | |
| 664033232 | 5130 | 250 5290 | 230 V / 60 Hz | 4,9 VA | | |
| 664031140 | 4997 | 250 5647 | 230 V / 60 Hz | 6,4 VA | | |
| 664033227 | 5852 | 250 9737 | 230 V / 60 Hz | 9,7 VA | | |

3

Cievka pre Systém 8 ATEX - 22 Typ 1213 00.1 - 00/xxxx
Coil for System 8 ATEX - 22 Type 1213 00.1 - 00/xxxx

Cievky do výbušných atmosfér
Solenoid coil explosion protection

| Obj. číslo /Code No./ | Typ \ Type \ xxxx | Katalógové číslo \ Part. No.\ | Napätie /Voltage/ | Príkon /Holding power/ | Ventil typ /Valve-type/ | Technické údaje /Technical data/ |
|--------------------------|-------------------------|--|----------------------|---------------------------|----------------------------|---|
| 664034206 | 6858 | 250 6945 | 24 V / DC | 5,0 W | 3 VE 2 M - Ex | <p>Ex II 2G EEx m II T4 / IEC Ex m II T4 Ex II 2D IP65 T130°C / IP65 DIP A21 T130°C</p> <p>Káblové pripojenie / Cable connection Kábel / Cable H05VV-F 3G1 dĺžka / lenght 3 m</p> <p>Krytie / Enclosure (EN 60529) IP 65</p> <p>Tolerancia napätia / Voltage tolerance ±10 %</p> <p>Trieda izolácie / Insulation class F (155 °C) EN 61010-1 (DIN VDE 0580)</p> <p>Zaťaženie / Relative duty cycle 100%</p> <p>Hmotnosť / Weight</p> <p>Teplota okolia / Ambient temperature -20°C ... +50°C</p> |

4

Cievka pre Systém 8 ATEX - 22 Typ 0513 00.1 - 00/xxxx
Coil for System 8 ATEX - 22 Type 0513 00.1 - 00/xxxx

Cievky do výbušných atmosfér
Solenoid coil explosion protection

| Obj. číslo /Code No./ | Typ \ Type \ xxxx | Katalógové číslo \ Part. No.\ | Napätie /Voltage/ | Príkon /Holding power/ | Ventil typ /Valve-type/ | Technické údaje /Technical data/ |
|--------------------------|----------------------------|--|----------------------|---------------------------|----------------------------|---|
| 664034207 | 6835 | 250 7923 | 110 V / 50 Hz | 3,8 VA | 3 VE 2 M - Ex | <p>Ex II 2G EEx m II T4 / IEC Ex m II T4 Ex II 2D IP65 T130°C / IP65 DIP A21 T130°C</p> <p>Káblové pripojenie / Cable connection Kábel / Cable H05VV-F 3G1 dĺžka / lenght 3 m</p> <p>Krytie / Enclosure (EN 60529) IP 65</p> <p>Tolerancia napätia / Voltage tolerance ±10 %</p> <p>Trieda izolácie / Insulation class F (155 °C) EN 61010-1 (DIN VDE 0580)</p> <p>Zaťaženie / Relative duty cycle 100%</p> <p>Hmotnosť / Weight</p> <p>Teplota okolia / Ambient temperature -20°C ... +50°C</p> |
| 664034208 | 6836 | 250 6942 | 230 V / 50 Hz | 5,1 VA | | |

5

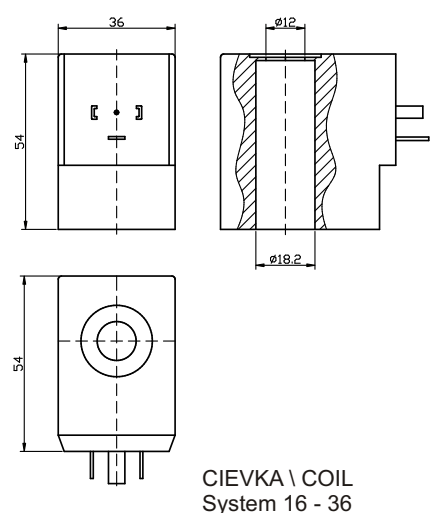
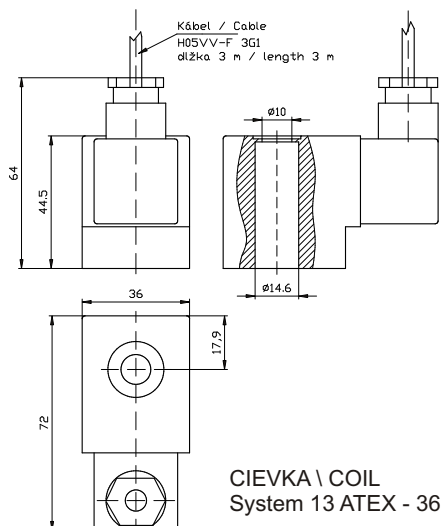
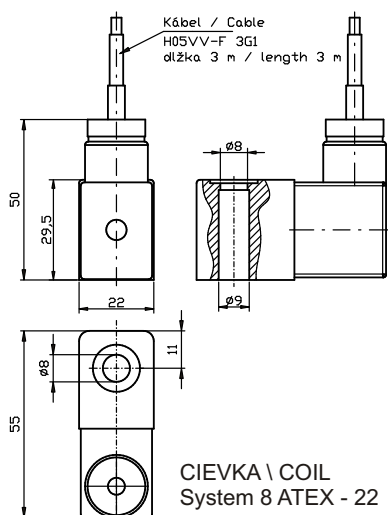
Cievka pre Systém 13-36 Typ 0545 00.1-00/xxxx
Coil for System 13-36 Type 0545 00.1-00/xxxx

| Obj. číslo /Code No./ | Typ \ Type \ xxxx | Katalógové číslo \ Part. No.\ | Napätie /Voltage/ | Príkon /Holding power/ | Ventil typ /Valve-type/ | Technické údaje /Technical data/ |
|--------------------------|----------------------------|--|----------------------|---------------------------|-----------------------------------|--|
| 664032800 | 5803 | 250 3187 | 24 V / DC | 3,9 W | 2 VE x DSB | <p>Konektorové pripojenie / Electrical connection TYP A / TYPE A - EN 175301-803 (ISO 4400, DIN 43650-A)</p> <p>Krytie / Enclosure (EN 60529) IP 65</p> <p>Tolerancia napätia / Voltage tolerance ±10 %</p> <p>Trieda izolácie / Insulation class F (155 °C) EN 61010-1 (DIN VDE 0580)</p> <p>Zaťaženie / Relative duty cycle 100%</p> <p>Hmotnosť / Weight 0,25 kg</p> <p>Teplota okolia / Ambient temperature -20°C ... +50°C</p> |
| 664032400 | 5805 | 250 3189 | 24 V / DC | 11,5 W | 2 VE 10(12,13,16)DCJ | |
| 664032000 | 5800 | 250 4829 | 12 V / DC | 17,5 W | 2 VE 10(12,13,16)DCJ | |
| 664031900 | 6216 | 250 4228 | 24 V / DC | 18,5 W | 3 VE 12 MX | |
| 664031800 | 6431 | 250 4502 | 110 V / DC | 17,1 W | 2 VE 50 DBA(DBB) | |
| 664033401 | 6485 | 250 4934 | 205 V / DC | 18,5 W | 2 VE 6(10,13,16,25,32,40,50) IDA | |
| 664031700 | 5889 | 250 4439 | 230 V / DC | 18,0 W | 2 VE 10 FJ, 2 VE xIFP | |
| 664032600 | 5806 | 250 4429 | 110 V / 50 Hz | 8,8 VA | 2 VE 6 FP | |
| 664032500 | 6754 | 250 8578 | 230 V / 50 Hz | 8,8 VA | 2 VE x DSB | |
| 664032300 | 6234 | 250 6949 | 24 V / 50 Hz | 14,0 VA | 2 VE 10(12,13,16)DC | |
| 664032200 | 6234 | 250 6949 | 110 V / 50 Hz | 14,0 VA | 2 VE 10(12,13,16)DC | |
| 664032100 | 5801 | 250 4388 | 220 V / 50 Hz | 14,0 VA | 2 VE 10(12,13,16)DC | |
| 664031600 | 5888 | 250 4933 | 24 V / 50 Hz | 21,0 VA | 3 VE 12 MX | |
| 664031500 | | 250 3350 | 42 V / 50 Hz | 21,0 VA | 3 VE 12 MX.1 | |
| 664031400 | | 250 3351 | 48 V / 50 Hz | 21,0 VA | 3 VE 12 MX.1 | |
| 664031300 | 5808 | 250 4728 | 110 V / 50 Hz | 21,5 VA | 3 VE 12 MX.1 | |
| 664031200 | 6753 | 250 7283 | 230 V / 50 Hz | 22,0 VA | 3 VE 12 MX.1 | |
| 664033200 | 5810 | 250 4421 | 24 V / 50 Hz | 25,0 VA | 2 VE 6 (10,13,16,25,32,40,50) IDA | |
| 664033100 | 5802 | 250 4420 | 42 V / 50 Hz | 24,0 VA | 2 VE 50 DBA(DBB) | |
| 664033000 | 6435 | 250 4518 | 110 V / 50 Hz | 27,5 VA | 2 VE 50 DBA(DBB) | |
| 664032900 | 6444 | 250 4589 | 230 V / 50 Hz | 25,0 VA | 2 VE 50 DBA(DBB) | |

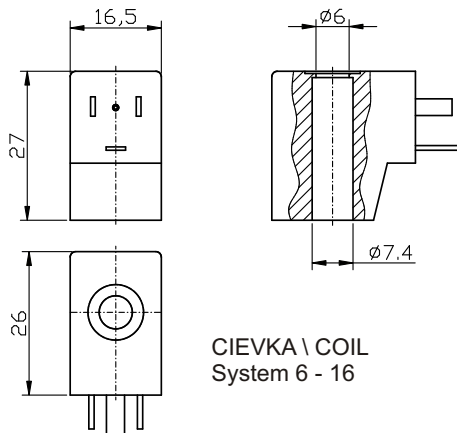
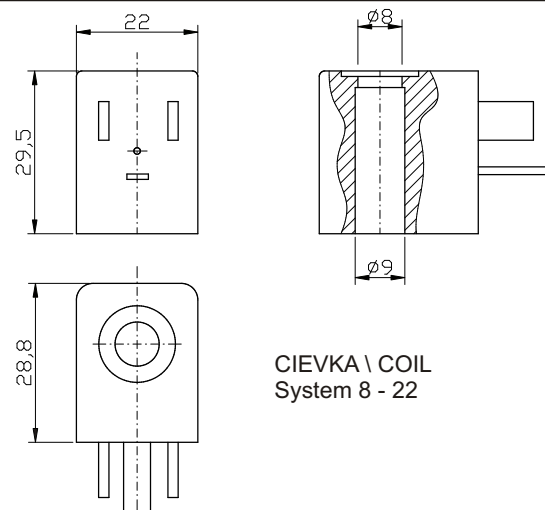
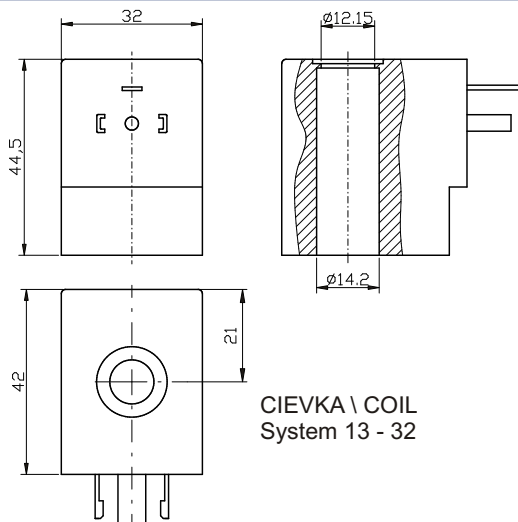
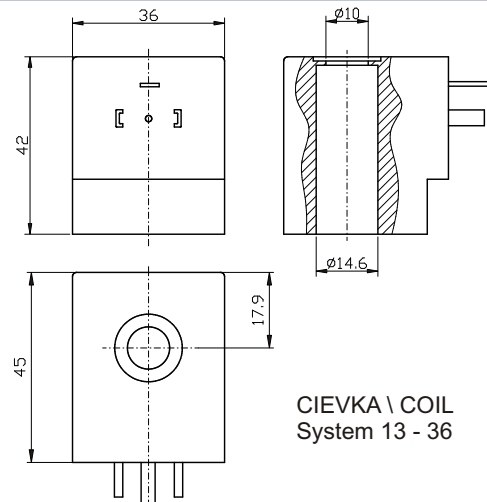
| Obj. číslo /Code No./ | Typ \ Type \ xxxx | Katalógové číslo \ Part. No.\ | Napätie /Voltage/ | Príkion /Holding power/ | Ventil typ /Valve-type/ | Technické údaje /Technical data/ |
|-----------------------|-------------------|-------------------------------|-------------------|-------------------------|--|---|
| 664034205 | 6973 | 250 8465 | 24 V / DC | 10,1 W | 2 VE x FJ - Ex 2 VE xx DA - Ex 2 VE 6 DFJ - Ex | Ex II 2G EEx m II T4 / IEC Ex m II T4 Ex II 2D IP65 T130°C / IP65 DIP A21 T130°C Káblové pripojenie / Cable connection Kábel / Cable H05VV-F 3G1 dĺžka / length 3 m Krytie / Enclosure (EN 60529) IP 65 Tolerancia napätia / Voltage tolerance ±10 % Trieda izolácie / Insulation class F (155 °C) EN 61010-1 (DIN VDE 0580) Zaťaženie / Relative duty cycle 100% Hmotnosť / Weight 0,18 kg Teplota okolia / Ambient temperature -20°C ... +50°C |

| Obj. číslo /Code No./ | Typ \ Type \ xxxx | Katalógové číslo \ Part. No.\ | Napätie /Voltage/ | Príkion /Holding power/ | Ventil typ /Valve-type/ | Technické údaje /Technical data/ |
|-----------------------|-------------------|-------------------------------|-------------------|-------------------------|-----------------------------------|---|
| 664033204 | 6990 | 250 8878 | 110 V / 50 Hz | 9,1 VA | 2 VE x F - Ex | Ex II 2G EEx m II T4 / IEC Ex m II T4 Ex II 2D IP65 T130°C / IP65 DIP A21 T130°C Káblové pripojenie / Cable connection Kábel / Cable H05VV-F 3G1 dĺžka / length 3 m Krytie / Enclosure (EN 60529) IP 65 Tolerancia napätia / Voltage tolerance ±10 % Trieda izolácie / Insulation class F (155 °C) EN 61010-1 (DIN VDE 0580) Zaťaženie / Relative duty cycle 100% Hmotnosť / Weight 0,18 kg Teplota okolia / Ambient temperature -20°C ... +50°C |
| 664034202 | 6971 | 250 8460 | 230 V / 50 Hz | 7,0 VA | 2 VE xx DA - Ex 2 VE 6 DF - Ex | |

| Obj. číslo /Code No./ | Typ \ Type \ xxxx | Katalógové číslo \ Part. No.\ | Napätie /Voltage/ | Príkion /Holding power/ | Ventil typ /Valve-type/ | Technické údaje /Technical data/ |
|-----------------------|-------------------|-------------------------------|-------------------|-------------------------|-------------------------|---|
| 664033400 | 6205 | 250 3429 | 24 V / DC | 25,0 W | 2 VE 25(32,40) DCJ | Konektorové pripojenie / Electrical connection TYP A / TYPE A - EN 175301-803 (ISO 4400, DIN 43650-A) Krytie / Enclosure (EN 60529) IP 65 Tolerancia napätia / Voltage tolerance ±10 % Trieda izolácie / Insulation class F (155 °C) EN 61010-1 (DIN VDE 0580) Zaťaženie / Relative duty cycle 100% Hmotnosť / Weight 0,35 kg Teplota okolia / Ambient temperature -20°C ... +50°C |
| 664035300 | | | 110 V / DC | 25,0 W | | |
| 664035400 | 5375 | 250 8672 | 196 V / DC | 29,5 W | 2 VE 25(32,40) DC | |
| 664033601 | 6966 | 250 7945 | 24 V / 50 Hz | 33,0 VA | | |
| 664033600 | 4917 | 250 8667 | 110 V / 50 Hz | 33,0 VA | | |
| 664033300 | 4893 | 250 7286 | 230 V / 50 Hz | 33,0 VA | | |



| Obj. číslo /Code No./ | Typ \ Type \ xx | Napätie /Voltage/ | Prikon /Holding power/ | Ventil typ /Valve-type/ | Technické údaje /Technical data/ |
|--------------------------|-----------------------|----------------------|---------------------------|----------------------------|---|
| 224124164 | 64 | 24 V / DC | 7,0 W | | Konektorové pripojenie / Electrical connection TYP A / TYPE A - EN 175301-803 (ISO 4400, DIN 43650-A) Krytie / Enclosure (EN 60529) IP 65 Tolerancia napätia / Voltage tolerance ±10 % Trieda izolácie / Insulation class F (155 °C) EN 61010-1 (DIN VDE 0580) Zaťaženie / Relative duty cycle 100% Hmotnosť / Weight 0,15 kg Teplota okolia / Ambient temperature -15°C ... +50°C |
| 224124155 | 55 | 12 V / DC | 10,0 W | | |
| 224124154 | 54 | 24 V / DC | 10,0 W | | |
| 224124153 | 53 | 48 V / DC | 10,0 W | | |
| 224124152 | 52 | 110 V / DC | 10,0 W | | |
| 224124151 | 51 | 220 V / DC | 10,0 W | | |
| 224124161 | 61 | 12 V / DC | 13,0 W | | |
| 224124159 | 59 | 24 V / DC | 13,0 W | 2 VE x F | |
| 224124158 | 58 | 48 V / DC | 13,0 W | 2 VE 6 DF | |
| 224124157 | 57 | 110 V / DC | 13,0 W | 2 VE x IF | |
| 224124156 | 56 | 220 V / DC | 13,0 W | 2 VE xx DA | |
| 224124134 | 34 | 24 V / 50 Hz | 12,0 VA | 3 VE x F | |
| 224124136 | 36 | 48 V / 50 Hz | 12,0 VA | 3 VE x IF | |
| 224124132 | 32 | 110 V / 50 Hz | 12,0 VA | | |
| 224124131 | 31 | 230 V / 50 Hz | 12,0 VA | 2(3) VE 40 D | |
| 224124105 | 05 | 12 V / 50 Hz | 15,0 VA | 3 VE xx DF | |
| 224124104 | 04 | 24 V / 50 Hz | 15,0 VA | 3 VE xx DIF | |
| 224124103 | 03 | 42 V / 50 Hz | 15,0 VA | 3 VEE xx DF | |
| 224124122 | 22 | 48 V / 50 Hz | 15,0 VA | 3 VEE xx DFA | |
| 224124102 | 02 | 110 V / 50 Hz | 15,0 VA | 52 VEE xx D | |
| 224124101 | 01 | 230 V / 50 Hz | 15,0 VA | 53 VEE xx DF | |
| 224124110 | 10 | 12 V / 50 Hz | 18,0 VA | | |
| 224124109 | 09 | 24 V / 50 Hz | 18,0 VA | | |
| 224124108 | 08 | 42 V / 50 Hz | 18,0 VA | | |
| 224124123 | 23 | 48 V / 50 Hz | 18,0 VA | | |
| 224124107 | 07 | 110 V / 50 Hz | 18,0 VA | | |
| 224124106 | 06 | 230 V / 50 Hz | 18,0 VA | | |


 CIEVKA \ COIL
 System 6 - 16

 CIEVKA \ COIL
 System 8 - 22

 CIEVKA \ COIL
 System 13 - 32

 CIEVKA \ COIL
 System 13 - 36