

REMATIC, DMS3,
24 V DC (2P)
(3P).
LED ,
(RS-232).
a a
« - ».



DMS3

- 220 VAC
-
- T
-
- ()
- 2 R1, R2 (18)
- READY
- - 0/4 - 20 mA, 4 - 12 mA, 12 - 20 mA 0/2 - 10 V
- 24 V DC - , ,
- 24 V DC - , ,
-
- ESD ()
- - 4 - 20 mA a ()
- 24 V DC, 40
- e
- (, ,)
- RS 232
-
-
- IP67
-
- RE3, RE4, RE5
- RE1, RE2, RE3, RE4, RE5, READY
- LED

STR 0.1PA

438. x - x x x x x / x x

10)			12)		o e		
15150	()	60721-2-1	(R)+WDr, MWDr, EWDr	C3	-25°C +55°C	IP 65	0
				C3	-25°C +55°C	IP 67	1
				C4	-25°C +55°C	IP 67	2
				C3	-25°C +55°C	IP 68 ¹¹⁾	5
	()			C3	-25°C +55°C	IP 67	6
	()		(WW)	C4	-25°C +55°C	IP 67	7

		23)		
	50 Hz	230 V AC	Z514a Z523a Z515a	0
		220 V AC		L
		24 V AC		3
	60 Hz	240 V AC	Z514a Z523a Z515a	V
		120 V AC		T
		110 V AC		B
		24 V AC		J
	50 Hz	3x400 V AC	Z532a, Z536a, Z537a	2
		3x380 V AC		N

		32)		33)		
				50 Hz	60 Hz	
1 900 N	" N · OFF "	1 600 N	1 600 N	10 mm/min	12 mm/min	4
				16 mm/min	19 mm/min	5
				25 mm/min	30 mm/min	6
				40 mm/min	48 mm/min	7
3 600 N		3 200 N	2 500 N	10 mm/min	12 mm/min	A
				16 mm/min	19 mm/min	B
				25 mm/min	30 mm/min	C
				32 mm/min	38 mm/min	D
				40 mm/min	48 mm/min	E
4 600 N		4 000 N	-	63 mm/min	75 mm/min	F
				10 mm/min	12 mm/min	G
				16 mm/min	19 mm/min	H
				25 mm/min	30 mm/min	I
5 800 N		5 000 N	3 200 N	32 mm/min	38 mm/min	J
				40 mm/min	48 mm/min	K
				10 mm/min	12 mm/min	M
				16 mm/min	19 mm/min	N
7 200 N		6 300 N	4 000 N	25 mm/min	30 mm/min	P
				32 mm/min	38 mm/min	Q
				40 mm/min	48 mm/min	R
				10 mm/min	12 mm/min	T
			5 000 N	16 mm/min	19 mm/min	U
				25 mm/min	30 mm/min	V
				32 mm/min	38 mm/min	W
				40 mm/min	48 mm/min	Y

10		10 - 50 mm	I

DMS3	2P	24 V DC	-	Z515a, Z537a	F	
	3P/2P	0/4 - 20 mA	24 V DC	4 - 20 mA	Z514a, Z532a	G
		0/2 - 10 V			Z523a, Z536a	H

STR 0.1PA

438. x - x x x x x / x x

F05 EN 15714-2	45 mm	M12x1.25-20	P-1201	A	
	103 mm	M10x1-26 M10x1.5-26 M12-26 M12x1.5-26 M14-26 M16x1.5-26 1/2-13 UN 3/8-16 UN 5/16-18 UN	P-1202/A	B	
	110 mm		P-1202/B	C	
	112 mm		P-1202/C	D	
	92 mm		P-1202/D	E	
	102 mm		P-1202/E	F	
	94 mm		P-1202/F	3	
	124 mm		P-1202/G	4	
	59 mm		P-1418/A	G	
	86 mm		P-1418/B	H	
	66 mm ⁶¹⁾		P-1472	V	
	59 mm		P-2075	5	
			127 mm	P-1203/A	J
			42 mm	P-1203/B	K
80 mm		P-1203/C	L		
27 mm		P-1203/D	M		
57 mm		P-1203/E	N		
110 mm		P-1203/F	P		
70 mm		P-1203/G	7		
4	103 mm	P-1468/A	R		
	110 mm	P-1468/B	T		
	66 mm	P-1470	U		

A		-	0	1
C	LED	-	0	4
D	RE3, RE4, RE5 (DMS3 RE3) ⁷¹⁾	Z500a	0	5
E	RE1, RE2, RE3, RE4, RE5, READY (DMS3 RE6) ⁷¹⁾	Z500	0	6
F	LCD (P-2045. -25°C)	Z473a	0	7
A+C=21, A+D=22, A+E=23, A+F=24, A+C+D=58, A+C+E=59, C+D=35, C+E=36, D+F=40, E+F=44, A+D+F=63, A+E+F=67				

DB-9F/RJ45	224A80100
	224763601

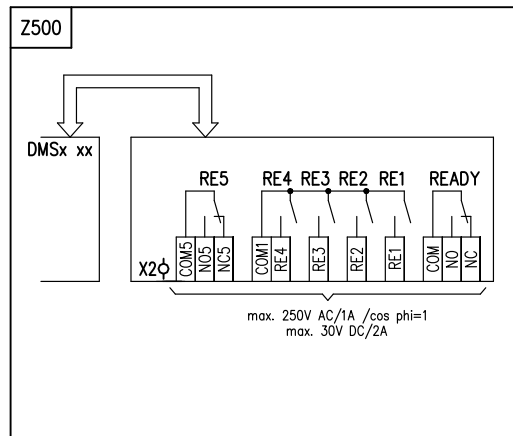
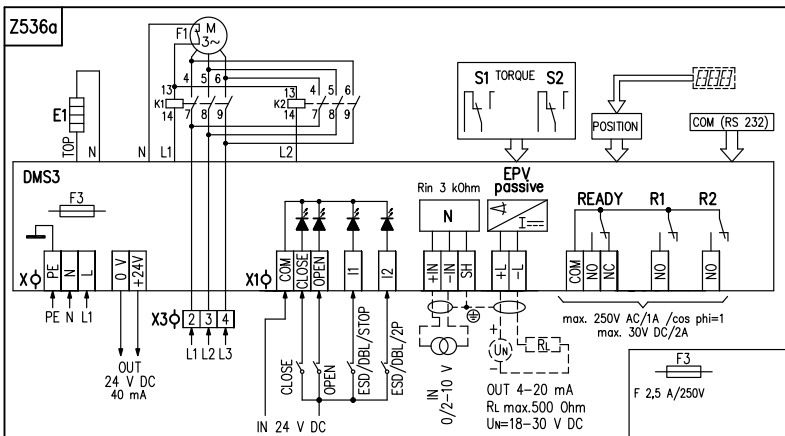
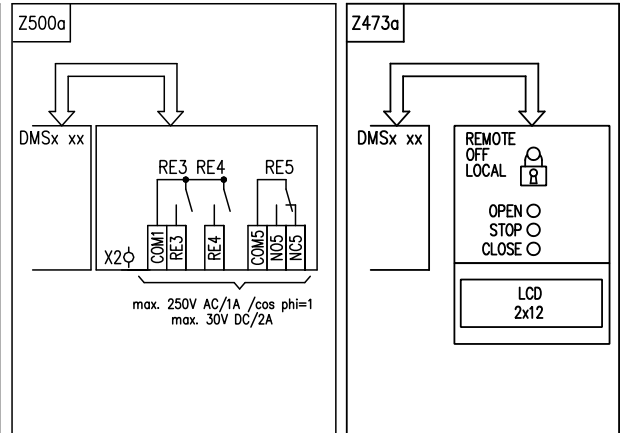
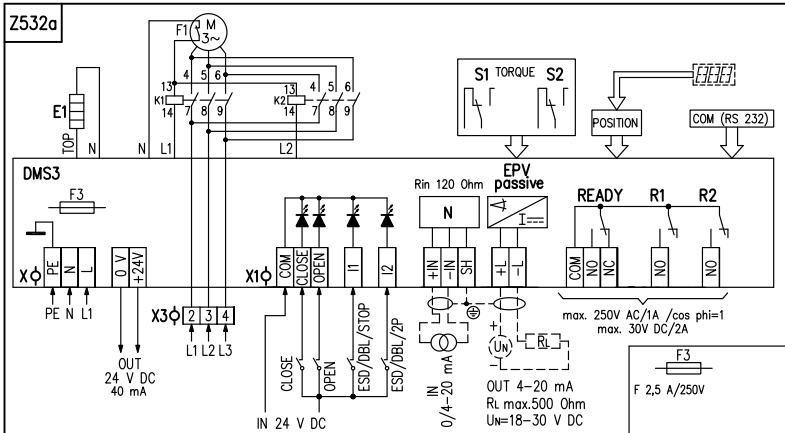
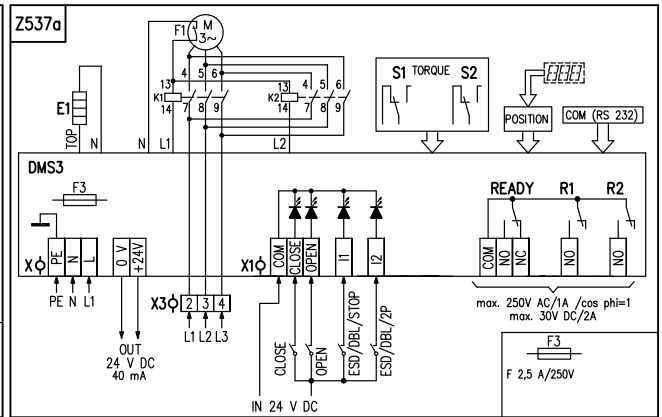
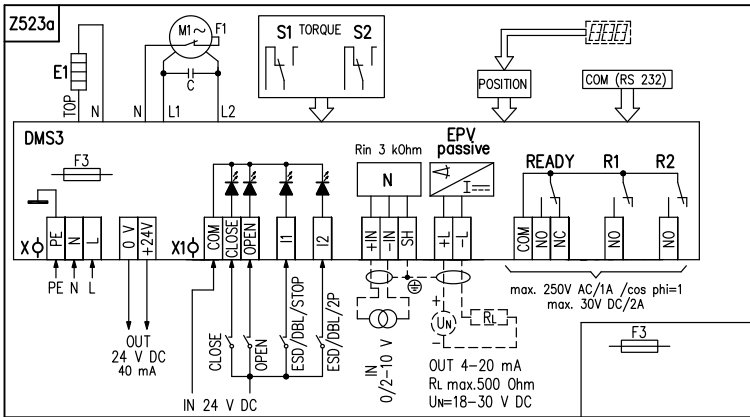
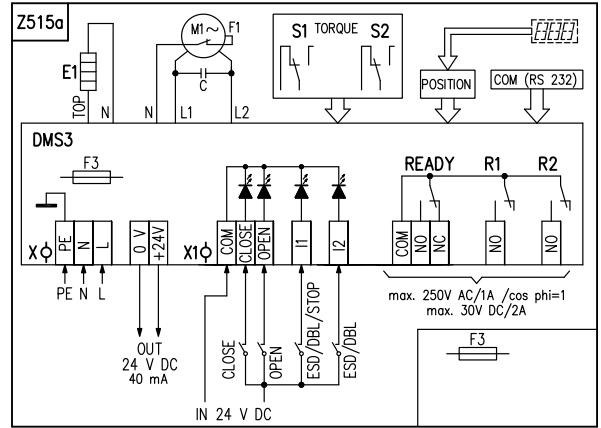
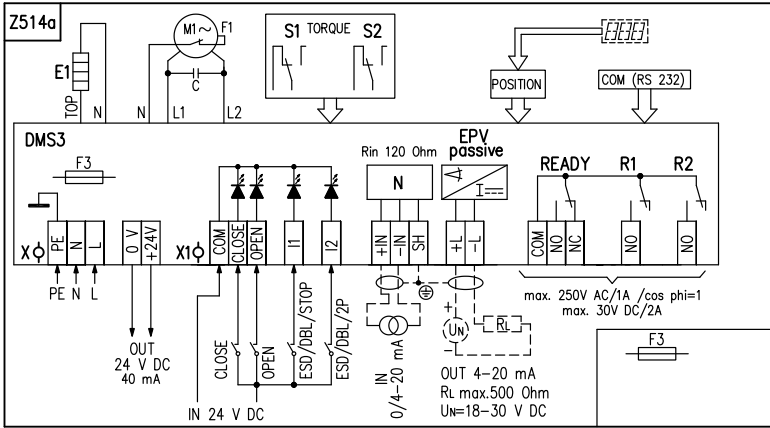
10) " " .2.
 11) IP 68 - 10 /48
 23) " "
 32) S2-10 min a S4-25% 90 /
 33) S4-25%, 90 - 1200 /
 61) .3600N.
 62)
 71) 230/220 VAC 3x400/3x380 VAC.
 77)

R1, R2, RE3, RE4, RE5:

READY: o ; o ; o ; o

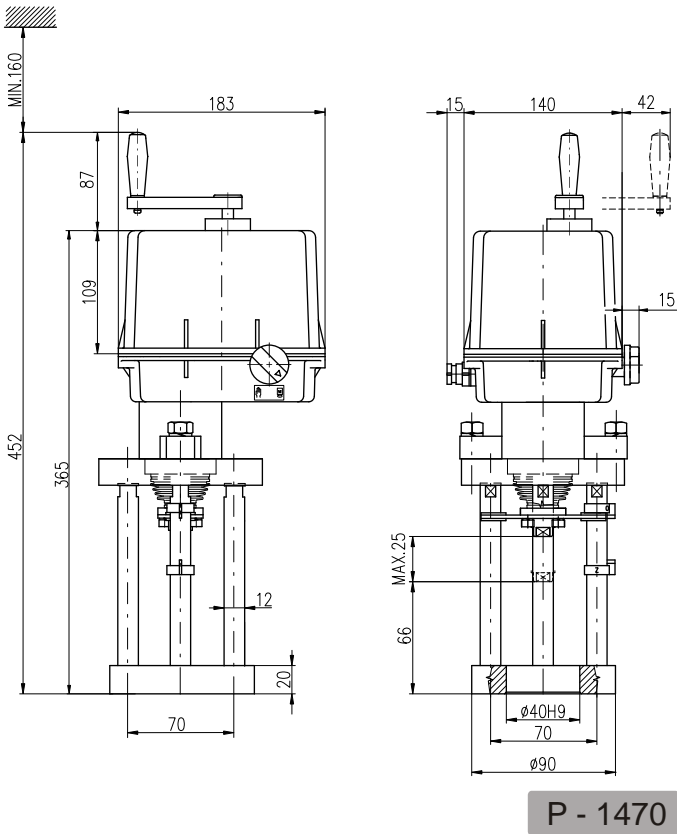
(EPV): 4 - 20 mA, 20 - 4 mA.
 (): 2P, 3P, 3P/2P I2.
 (N): : 4 - 20 mA, 20 - 4 mA, 0 - 20 mA, 20 - 0 mA, 4 - 12 mA, 12 - 4 mA, 12 - 20 mA, 20 - 12 mA;
 : 2 - 10V, 10 - 2V, 0 - 10V, 0 - 0V
 I1 : ; ESD (Emergency shut down - I1
 " "); DBL (- ; !
 I2: ; ESD (Emergency shut down - I2
 " "); DBL (; 2P ()
 - 3P/2P I2 I2 24 V DC).
 O : ; ; ;
 I1, I2 ESD I1,
 ESD I2).

STR 0.1PA

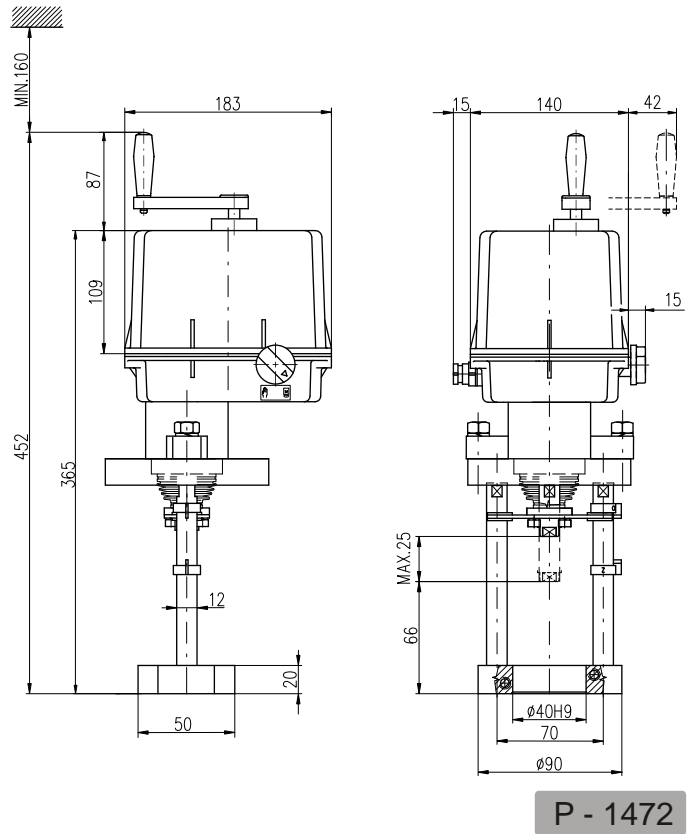


1.	:	N, L	()	230 V AC, 24 V AC				
	3	M16x1,5	6	10,5 mm.				
X -								
PE, N, L.....	(0,05 - 1,5 mm ²)			(24 V AC 110/120 V AC, 230/240 V AC, 50/60 Hz				
0 V, +24 V.....	(1,5 mm ²)			24 V DC (40 mA)				
X1 -								
COM, CLOSE OPEN, I1, I2...	(0,05 - 1 mm ²)			24 V DC				
+IN, -IN, SH.....	(0,05 - 1 mm ²)			0/4-20 mA (0/2-10V)				
+L, -L, SH.....	(0,05 - 1 mm ²)			() 4-20 mA				
COM, NO, NC.....	(0,05 - 1,5 mm ²)		READY					
COM, NO.....	(0,05 - 1,5 mm ²)		R1, R2					
X2 -								
COM1, RE3, RE4.....	(0,05 - 1,5 mm ²)		RE3, RE4					
COM5, NO5, NC5.....	(0,05 - 1,5 mm ²)		RE5					
Z473.....								
Z500a.....	3	o o						
Z514a.....	1~	-	ON/OFF	o o	o o	a 0/4 - 20 mA	4 - 20 mA	
Z515a.....	1~	-	ON/OFF					
Z523a.....	1~	-	ON/OFF	o o	o o	a 0/2 - 10 V	4 - 20 mA	
Z532a.....	3~	-	ON/OFF	o o	o o	a 0/4 - 20 mA	4 - 20 mA	
Z536a.....	3~	-	ON/OFF	o o	o o	a 0/2 - 10 V	4 - 20 mA	
Z537a.....	3~	-	ON/OFF					
C.....								
COM(RS232).....			PC					
EPV passive.....		(EPV)						
E1.....								
F1.....								
F2.....								
F3.....								
M1~/ M3~.....								
N.....								
R.....								
POSITION.....								
Rin.....								
R _L								
UN.....		EPV						
R1, R2.....								
READY.....	()						
R1 o R5.....								
TORQUE.....	()							
DMS3.....								

STR 0.1PA

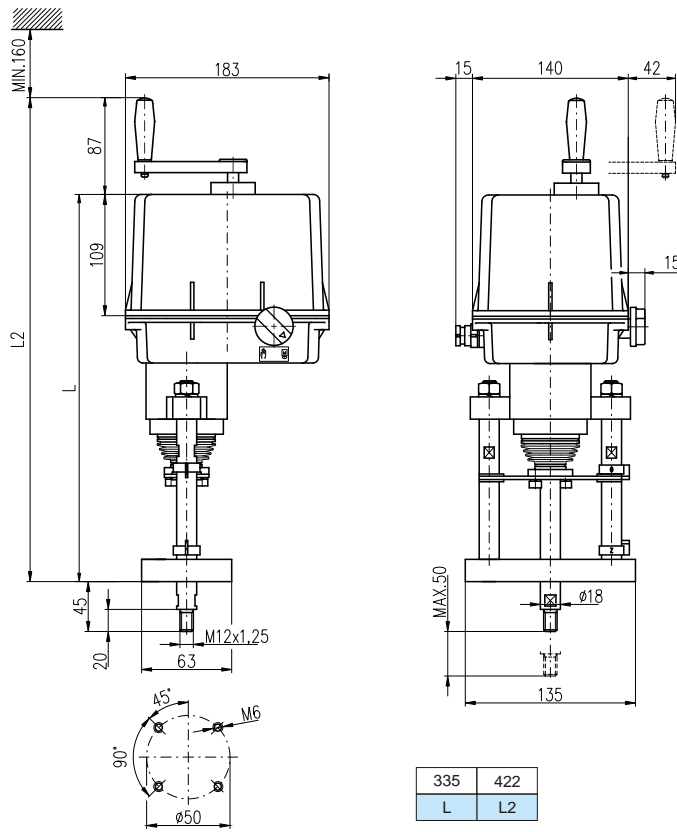


P - 1470



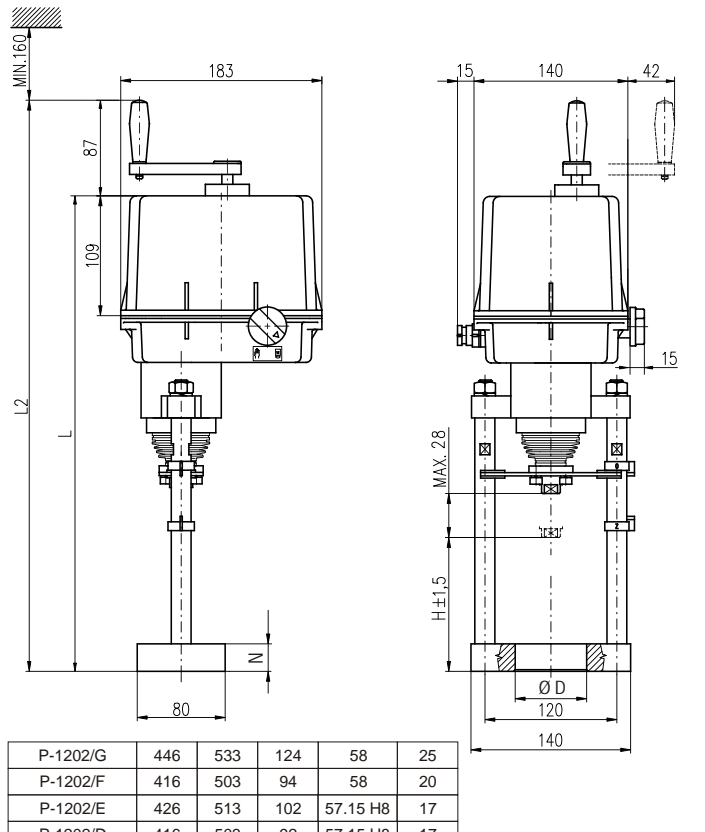
P - 1472

DMS3 P-2045



335	422
L	L2

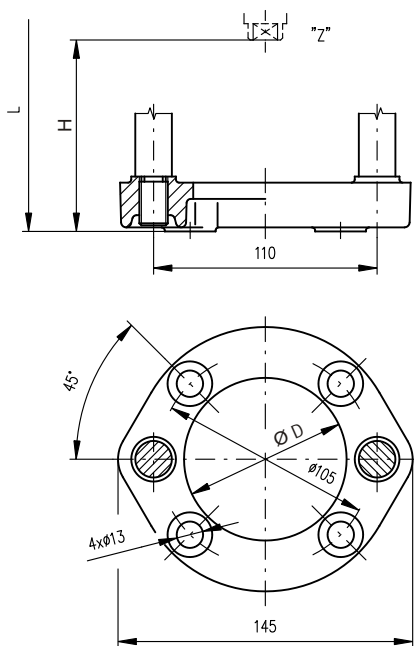
P - 1201



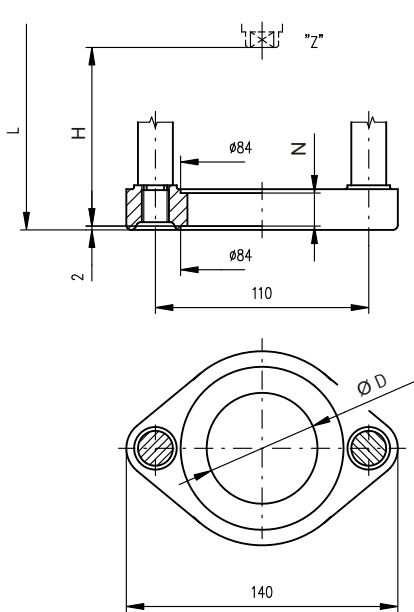
P-1202/G	446	533	124	58	25
P-1202/F	416	503	94	58	20
P-1202/E	426	513	102	57.15 H8	17
P-1202/D	416	503	92	57.15 H8	17
P-1202/C	434	521	112	80 H8	-
P-1202/B	434	521	110	65 H12	25
P-1202/A	425	512	103	65 H12	25
	L	L2	H	D	N

P - 1202/A, B

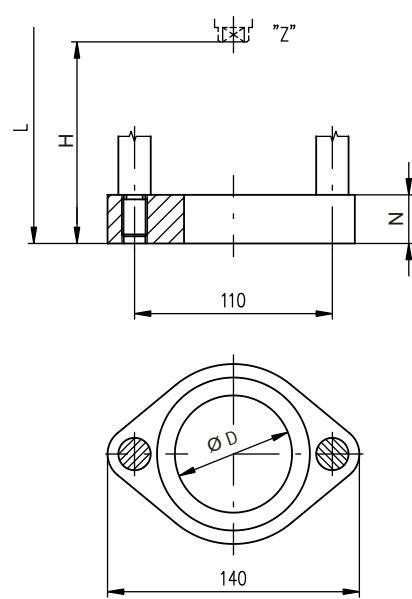
DMS3 P-2045



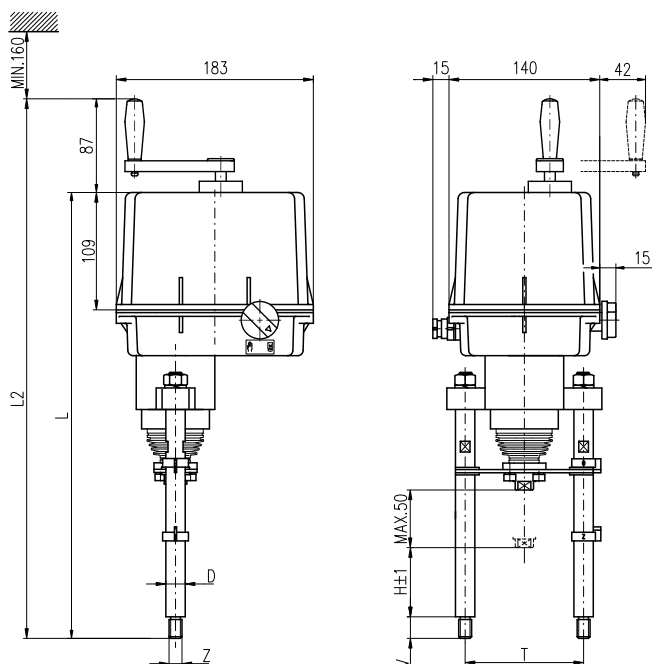
P - 1202/C



P - 1202/D, E

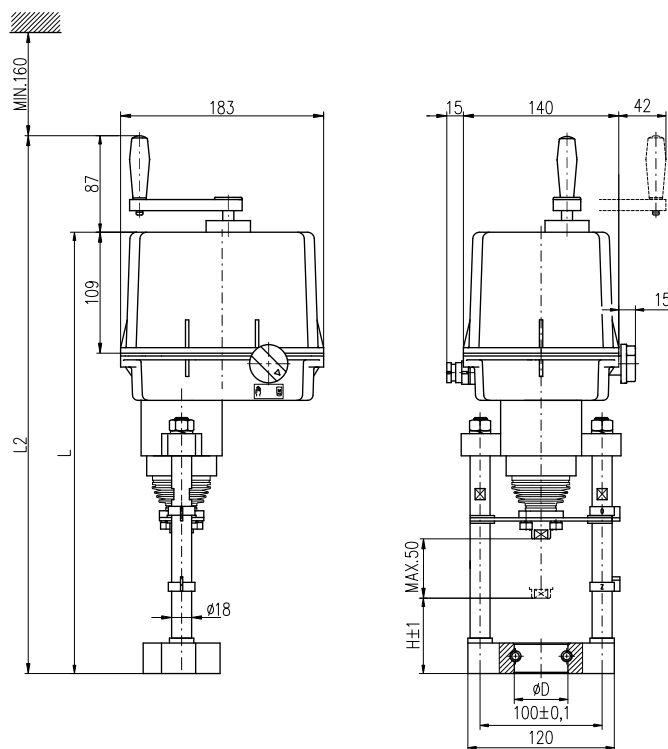


P - 1202/F, G



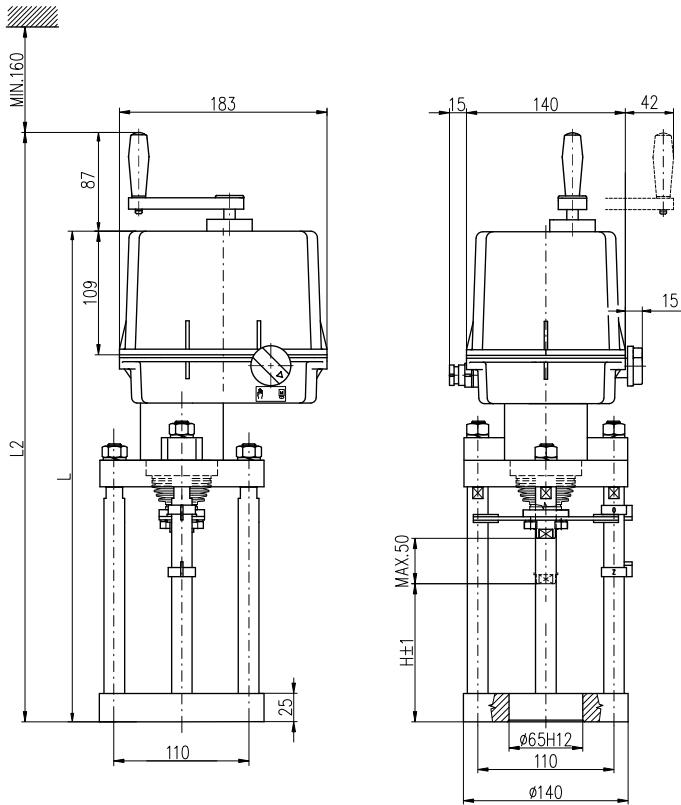
G	100	70	18	M16	16	408	495	
F	100	110	18	M16	16	448	535	
E	100	57	18	M16	16	395	482	
D	100	27	18	M16	16	365	452	
C	110	80	18	M12	32	434	521	
B	110	42	18	M12	20	384	471	
A	110	127	18	M12	20	469	556	
	T	H	D	Z	V	L	L2	

P - 1203

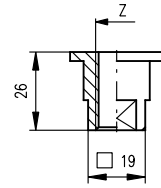


P-1418/B	86	60	400	487
P-1418/A	59	38	373	460
	H	D	L	L2

P - 1418



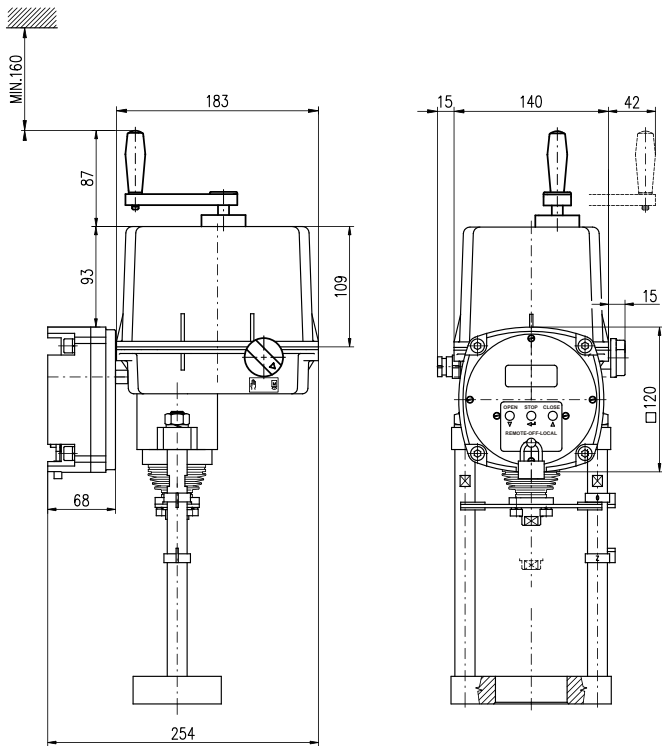
P-1468/B	110	434	521
P-1468/A	103	425	512
	H	L	L2



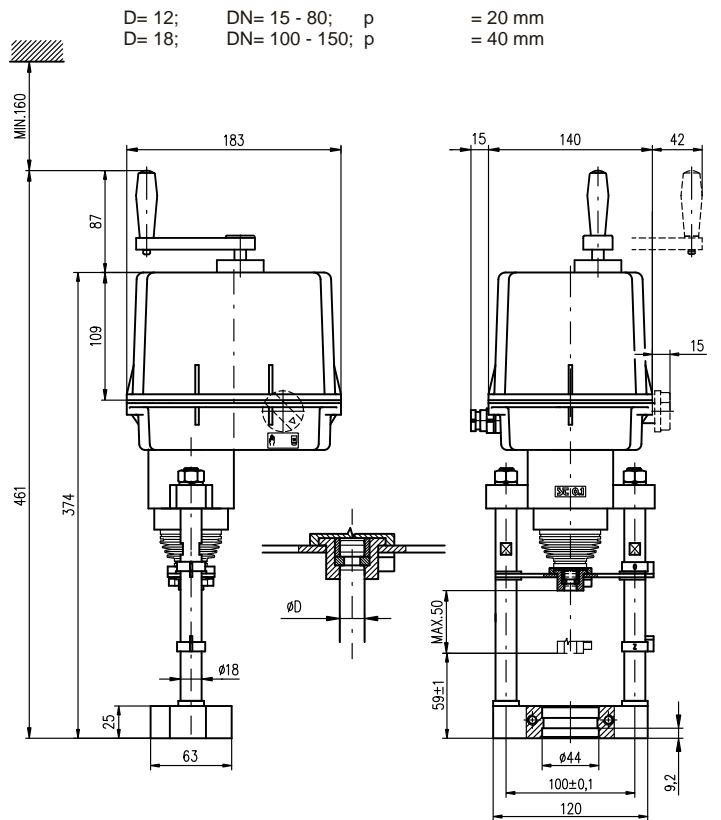
M14	
M12x1.25	
W1/2"	
W3/8"	
W5/16"	
M16x1.5-6H	
M12x1.5-6H	
M12-6H	1/2" - 13 UN
M10x1.5-6H	3/8" - 16 UN
M10x1-6H	5/16" - 18 UN
Z	

DMS3 P-2045

P - 1468/A,B



P - 2045



ov RV 113M

D= 12; DN= 15 - 80; p = 20 mm
D= 18; DN= 100 - 150; p = 40 mm

P - 2075