

II 2G Ex d IIC T5 Gb  
 II 2G Ex de IIC T5 Gb ( )  
 II 2D Ex tb IIIC T100°C Db

REMATIC, DMS3,  
 24 V DC (2P )  
 (3P )  
 PROFIBUS DP V0/V1 MODBUS RTU.  
 : LED ( , RS-232).  
 a a  
 « - ».



**DMS3**

- 220 V AC
- T
- a
- 60 % 100 %
- 2 R1, R2 (18 )
- READY
- - 0/4 - 20 mA, 4 - 12 mA, 12 - 20 mA 0/2 - 10 V
- 24 V DC - , ,
- 24 V DC - , ,
- ESD ( )
- - 4 - 20 mA a ( )
- 24 V DC, 40
- ( , , .)
- LED
- RS 232
- ISO 5210
- IP 66 / IP 67
- RE3, RE4, RE5
- RE1, RE2, RE3, RE4, RE5, READY
- PROFIBUS DP V0/V1,
- MODBUS RTU,

UMR 1PA-Ex

146	x	-	x	x	x	x	x	/	x	x
-----	---	---	---	---	---	---	---	---	---	---

10)			e					
15150	3.1	60721-2-1	(R)+WDr, MWDr, EWDr	-25°C ÷ +55°C	C3	T5	IP 66/IP 67	1
					C4		2	
					C3		5	
	3 ( )	(M)	-50°C ÷ +40°C	C3	3		IP 68 <sup>11)</sup>	
	3 ( )		-25°C ÷ +55°C	C3	6		IP 66/IP 67	
	3 ( )	(WW)	-50°C ÷ +40°C	C4	7			

		23)		
	50 Hz	230 V AC	Z514, Z523, Z515	0
		220 V AC	Z574c, Z563	L
	60 Hz <sup>24)</sup>	120V AC	Z514, Z523, Z515	T
		110 V AC	Z574c, Z563	B
	50 Hz	3x400 V AC	Z532, Z536, Z537	2
		3x380 V AC	Z574e, Z563b	N

230 (220) V AC			3x400 (380) V AC					
31)	32) 33)		32) 33)		50 Hz	60 Hz		
	« - »		« - »					
32 Nm	20 Nm	13 Nm	64 Nm	38 Nm	26 Nm	10 min <sup>-1</sup>	12 min <sup>-1</sup>	A
-	-	-	32 Nm	20 Nm	13 Nm	20 min <sup>-1</sup>	24 min <sup>-1</sup>	B
16 Nm	10 Nm	7 Nm	16 Nm	10 Nm	7 Nm	10 min <sup>-1</sup>	12 min <sup>-1</sup>	H
-	-	-				20 min <sup>-1</sup>	24 min <sup>-1</sup>	J
8 Nm	5 Nm	3 Nm	8 Nm	5 Nm	3 Nm	40 min <sup>-1</sup>	48 min <sup>-1</sup>	C
						10 min <sup>-1</sup>	12 min <sup>-1</sup>	M
						20 min <sup>-1</sup>	24 min <sup>-1</sup>	N
-	-	-	-	-	-	40 min <sup>-1</sup>	48 min <sup>-1</sup>	P
-	-	-	-	-	-	80 min <sup>-1</sup>	96 min <sup>-1</sup>	D

20	2 - 160	A
----	---------	---

		24 V DC				
DMS3	2P			-	Z515, Z537	F
	3P/2P	0/4 - 20 mA	24 V DC	4 - 20 mA	Z514, Z532	G
		0/2 - 10 V			Z523, Z536	H
DMS3 M1	/ 2P	MODBUS RTU			Z574c, Z574e	M
DMS3 M2				24 V DC	Z563, Z563b	N
DMS3 P1		PROFIBUS DP V0 / V1			Z574c, Z574e	P
DMS3 P2					Z563, Z563b	R

UMR 1PA-Ex

146. x - x x x x x x / x x

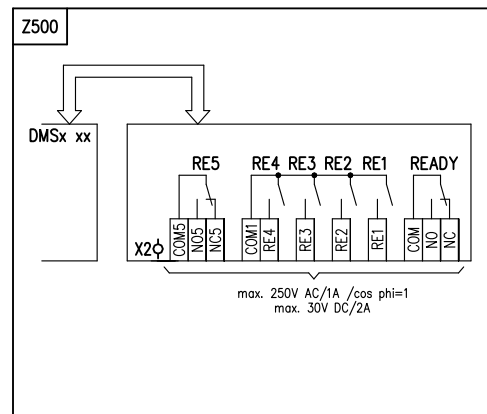
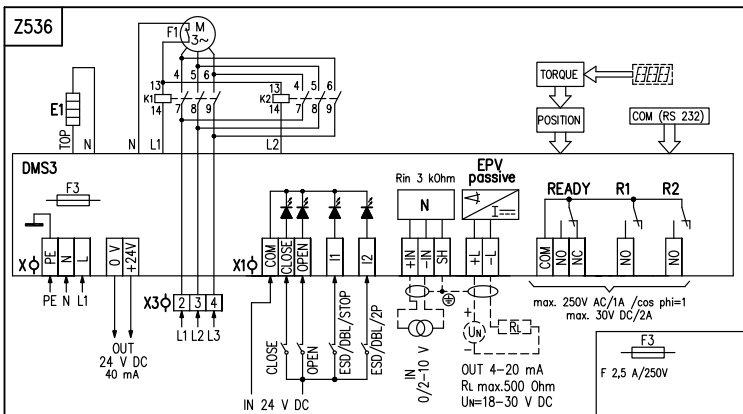
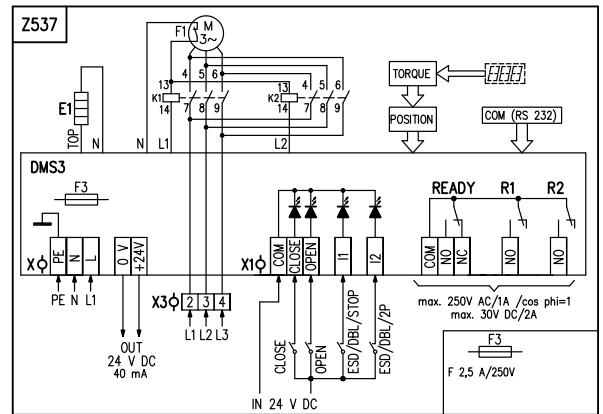
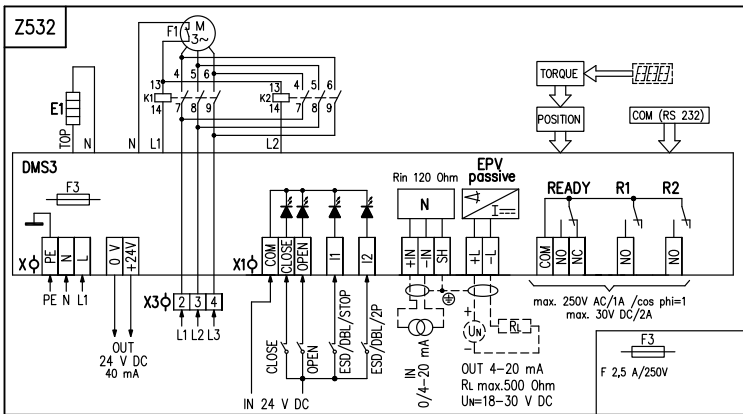
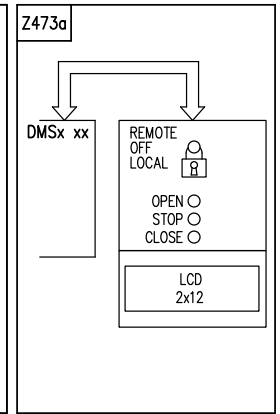
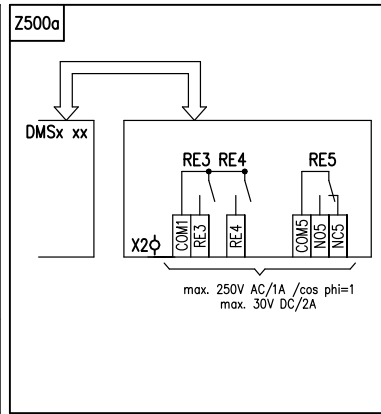
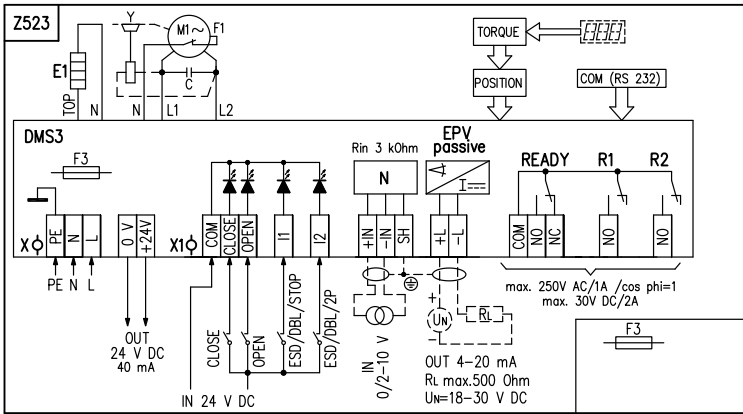
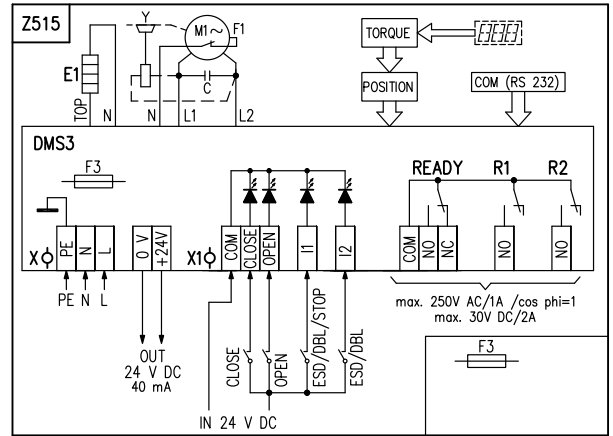
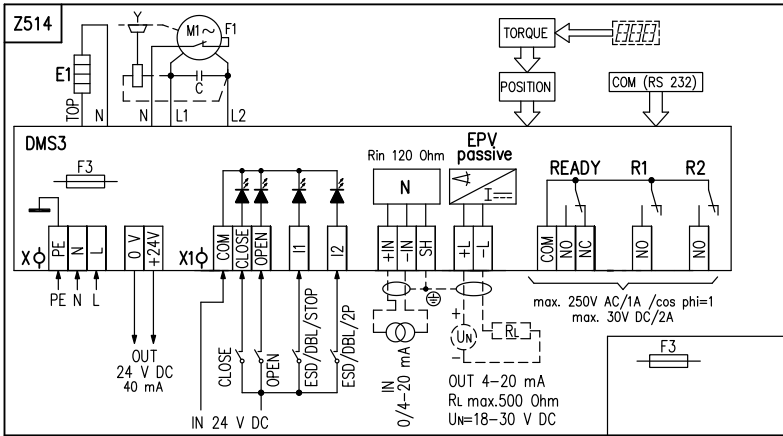
SO 5210	F05/F07		N	B3	ø16	P-1497	A
				B4	ø25		B
	F10		Y/55	B1	ø28		Z
			Y/70	B3	ø20	P-1498	C
SO 5210 ( )	F07/F10 (G0)		Y/55	A	ø10	P-1500	D
					Tr20x4 LH		E
					Tr24x4 LH		F
					Tr24x5 LH		G
					Tr25x5 LH		H
					Tr26x5 LH		J
DIN 3338	F10	Y/70	C	14/ø28/ø42	P-1498	M	
	G0	Y/70	E	ø20	P-1498	K	
	F05/F07		C	14/ø28/ø42		L	
	F10	N		ø20	P-1497	N	
		Y/70		ø30		V	
55510	64x30/4xM6		N		ø20	P-1498	Q
					ø30		
	ø104/4xd14				11x11	P-1499	S
					35°/37°; ø32/ø25	P-1499 <sup>67)</sup>	T
					11x11		U
		19x19		P			
		35°/37°; ø46/ø28		W			

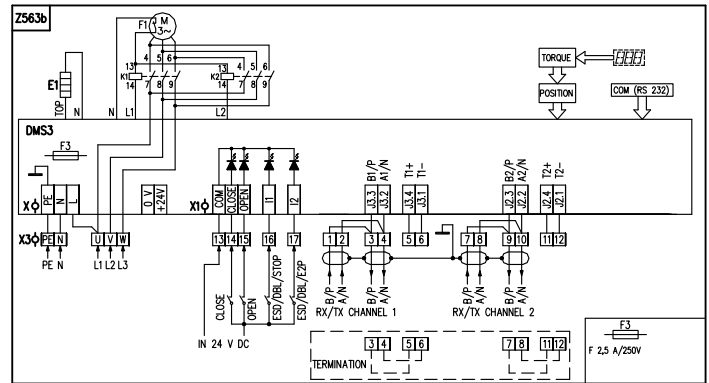
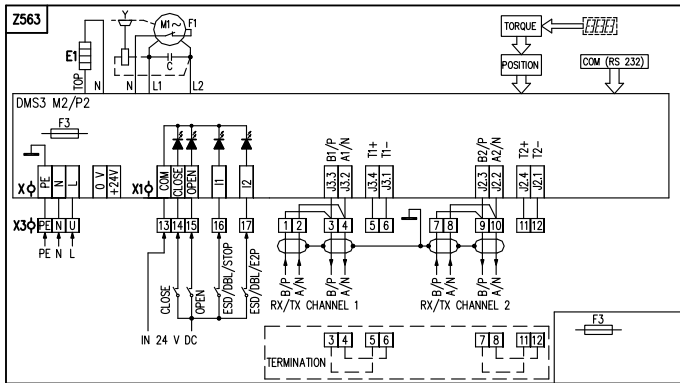
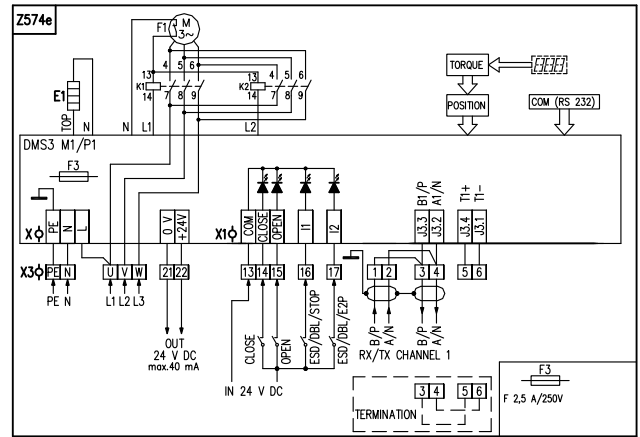
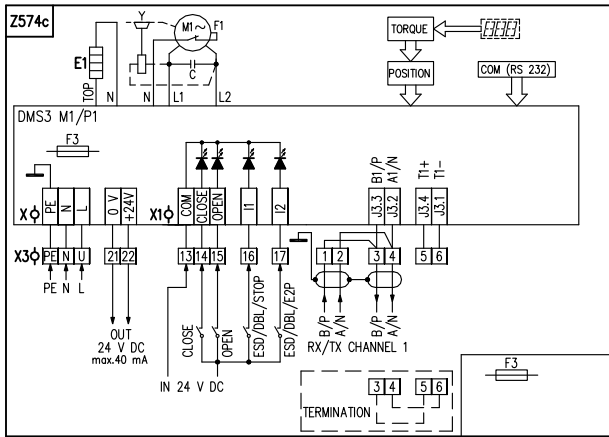
A				0	1
B				0	3
D	RE3, RE4, RE5 ( DMS3 RE3) <sup>71)</sup>		Z500a	0	5
E	RE1, RE2, RE3, RE4, RE5, READY ( DMS3 RE6) <sup>71)</sup>		Z500	0	6
F	LCD ( -25°C)		Z473a	0	7
K	„e“ P-2082. <sup>72)</sup>		-	1	1
: A+B=20, A+D=22, A+E=23, A+F=24, B+D=29, B+E=30, B+F=31, D+F=40 ,E+F=44, A+B+D=52, A+B+E=53, A+B+F=54, A+D+F=63, A+E+F=67, B+D+F=80, B+E+F=84, A+B+E+F=113, A+B+D+F=114					

DB-9F/RJ45	DMS3	224 A80 100
------------	------	-------------

- 10) :
- 11) IP 68 - 10 / 48 » .2.
- 23) " -
- 24) " 60 , 80 %.
- 31) 60 100 %.
- 32) S2-10 min a S4-25% 90 /
- 33) S4-25% ,90 - 1200 /
- 67) 50
- 68) 100
- 69) 150
- 71) 230/220 V AC 3x400/3x380 V AC.
- 72) PROFIBUS MODBUS RTU. „d“ „e“ ( „de“ ( Exd

UMR 1PA-Ex





32

2,5

d.

3

2

IECEX/ATEX

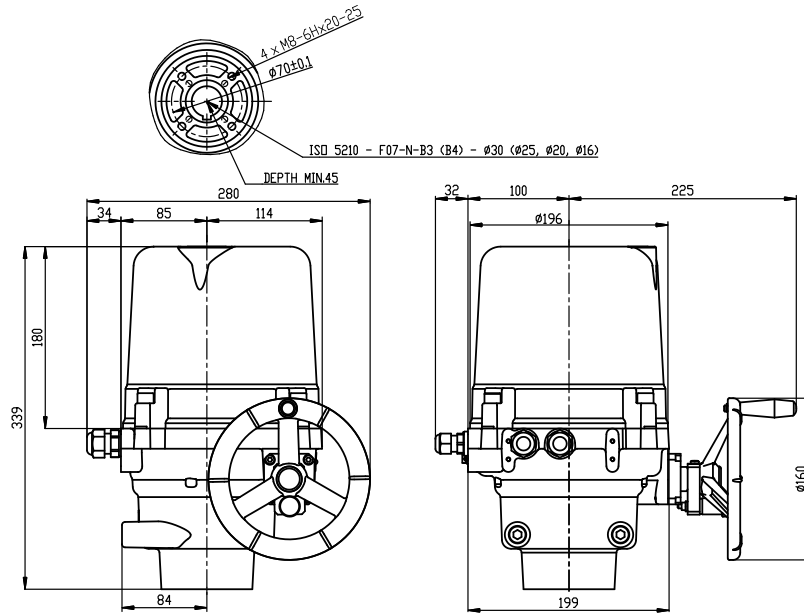
<b>X -</b>			
PE, U, V, W	(0,05 - 2,5 mm <sup>2</sup> )	(3x400/3x380 V AC, 50 Hz	
0 V, +24 V	.....2	(0,05 - 1 mm <sup>2</sup> )	24 V DC (100 mA)
<b>X1 -</b>			
COM, CLOSE, OPEN, I1, I2 ...	(0,05 - 1 mm <sup>2</sup> )		24 V DC
+IN, -IN, SH.....	(0,05 - 1 mm <sup>2</sup> )		0/4-20 mA
+L, -L .....	(0,05 - 1 mm <sup>2</sup> )		( ) 4-20 mA
COM, NO, NC .....	(0,05 - 1,5 mm <sup>2</sup> )	READY (	)
R1, R2.....	(0,05 - 1,5 mm <sup>2</sup> )	R1, R2 (	)
COM, NO, NC .....	(0,05 - 1,5 mm <sup>2</sup> )	READY (	)
<b>X2 -</b>			
COM1, RE1, RE2, RE3, RE4 ...	(0,05 - 1,5 mm <sup>2</sup> )	RE1 RE4 (	)
COM5, NO, NC.....	(0,05 - 1,5 mm <sup>2</sup> )	RE5 (	)
<b>X3 -</b>			
L1, L2, L3 .....	svorky (0,05 - 1,5 mm <sup>2</sup> )	napájacieho napätia 3x400 V AC, 50 Hz	
READY		READY	R1 R2
R 1 R 2			

Z473a ...				
Z500 .....		6-		
Z500a ...		3-		
Z514 .....			a	0/4 - 20 mA c
Z515 .....	4 - 20 mA		a	
Z523 .....			a	0/2 - 10 V c
Z532 .....	4 - 20 mA		a	0/4 - 20 mA c
Z536 .....	4 - 20 mA		a	0/2 - 10 V c
Z537 .....			a	
Z563 .....			e	MODBUS / PROFIBUS -
Z563b ...				e MODBUS / PROFIBUS -
Z574c ...			e	MODBUS / PROFIBUS -
Z574e ...				e MODBUS / PROFIBUS -



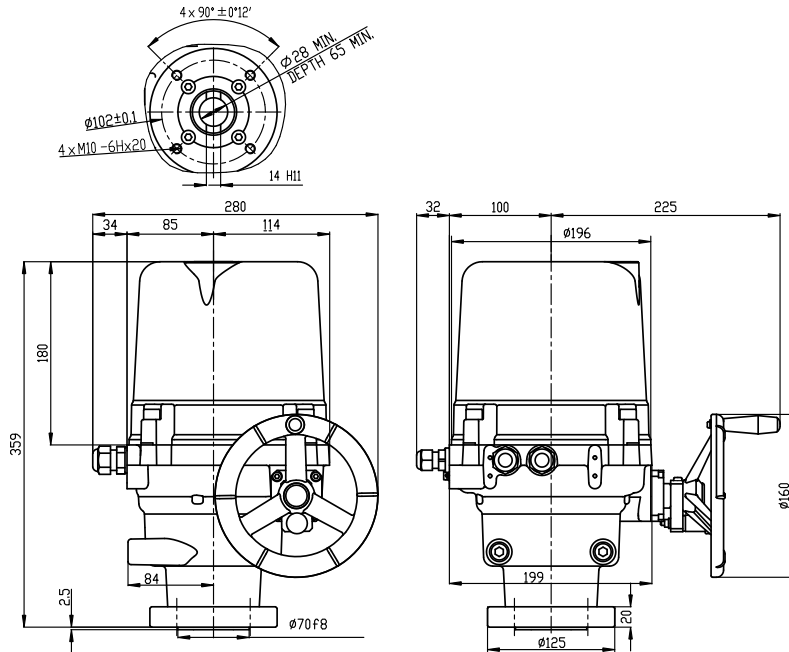
UMR 1PA-Ex

ISO 5210, B3 / B4



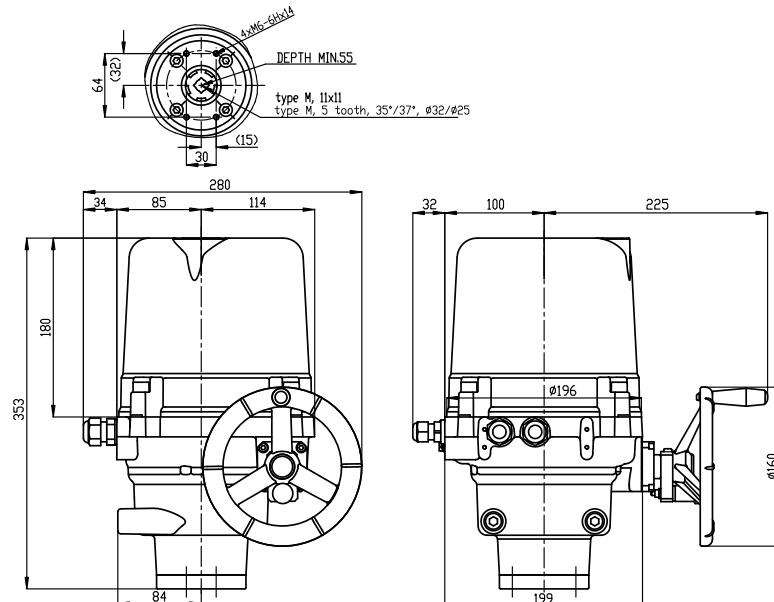
P-1497

DIN 3338, C



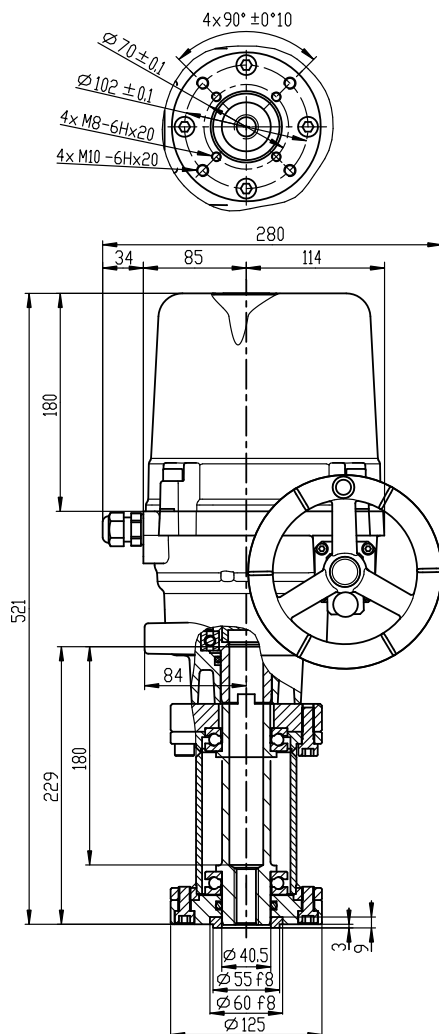
P-1498

55510, 5-



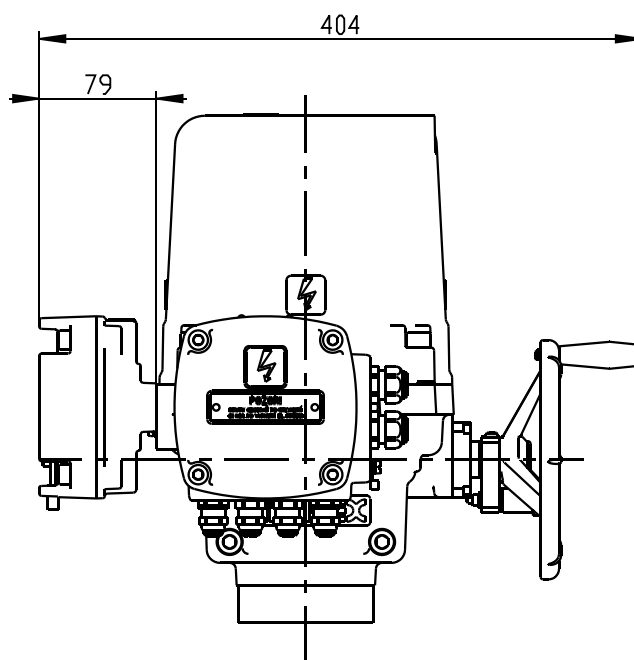
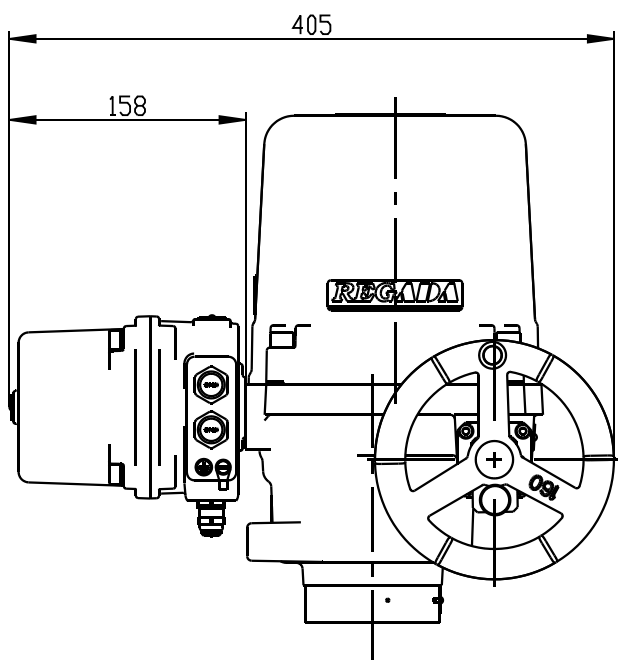
P-1499

ISO 5210, A



P-1500

U R 1PA-Ex „de“



P-2082