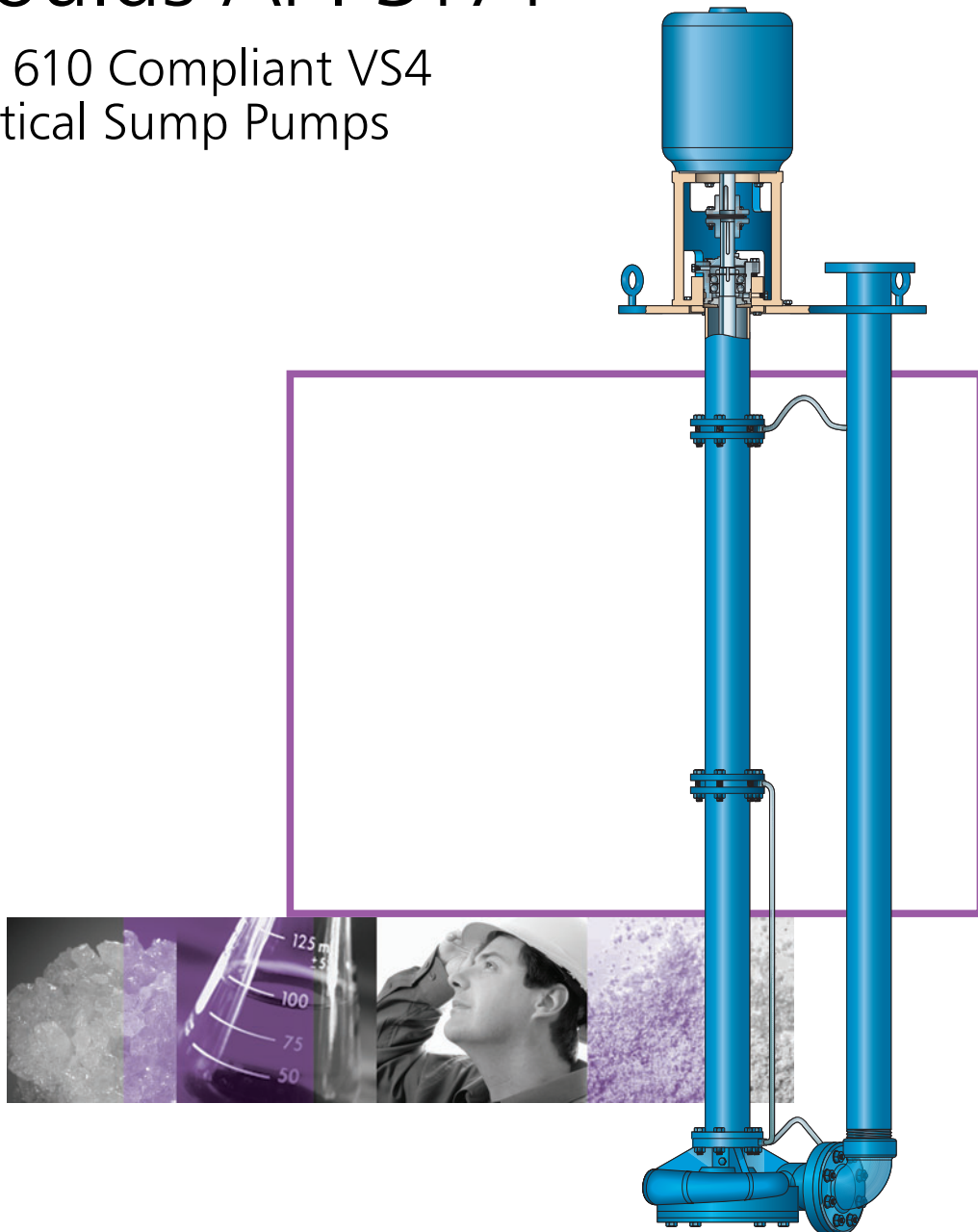


Goulds API 3171

API 610 Compliant VS4
Vertical Sump Pumps



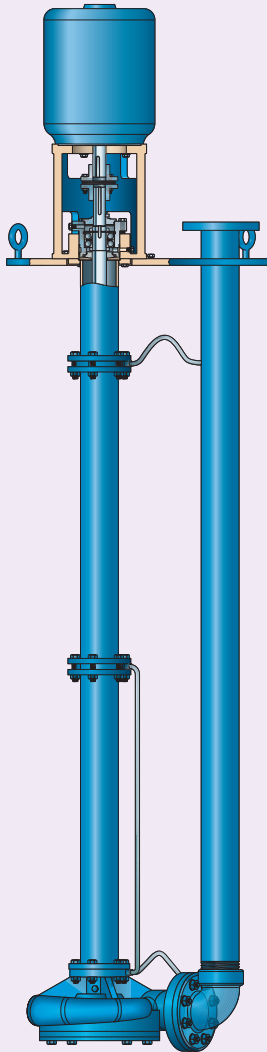
Goulds API 3171

Fully compliant with API 610 9th/10th edition, ISO 13709 VS4 sump pump

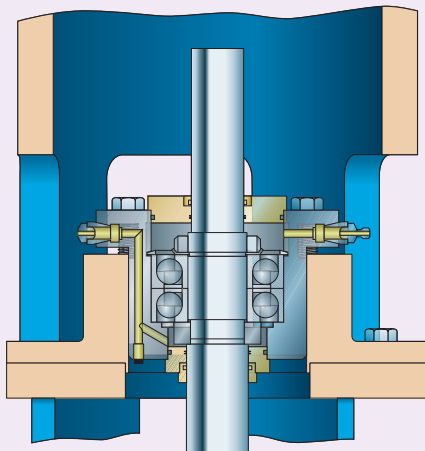
- ◆ Capacities to 3180 GPM (722 m³/h)
- ◆ Heads to 525 feet (160 m)
- ◆ Temperatures to 450° F (232° C)
- ◆ Pit Depths to 20 feet (6 m)

Design features

- ◆ Compliant thrust bearing arrangement
 - Grease or oil mist compatible
 - Duplex single row with machined brass cages
 - INPRO® bronze labyrinth seals
- ◆ Compliant disc coupling balanced to AGMA 9
- ◆ Fully compliant bearing spans
- ◆ 300# discharge flanges as standard
- ◆ 1/2" diameter lubelines for steady bearings
- ◆ Integral lifting eyes
- ◆ Many interchangeable parts with Model 3171



API 3171 — The reliable performer
for all API sump services

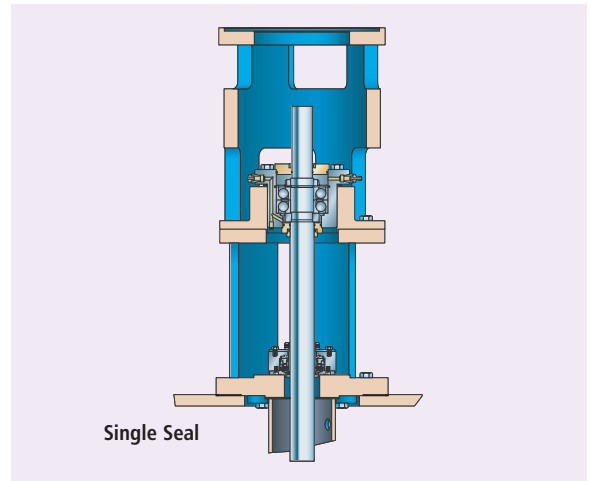


Thrust bearing arrangement

OPTIONAL FEATURES

Single Seal Vaporproof Construction

- ◆ Used where emissions control is required
- ◆ Gasketed fits and dry-running seal keep vapors in the sump

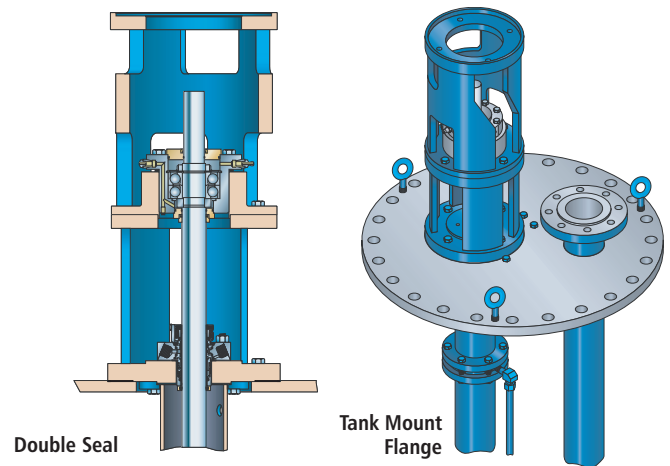


Double Seal Vaporproof Construction

- ◆ Double seal offers additional protection for critical services
- ◆ Optional flush plans are available

Common Options

- ◆ Optional bearings
- ◆ Optional soleplate (pit cover)
- ◆ Jacketed construction
- ◆ Tank flange support plate

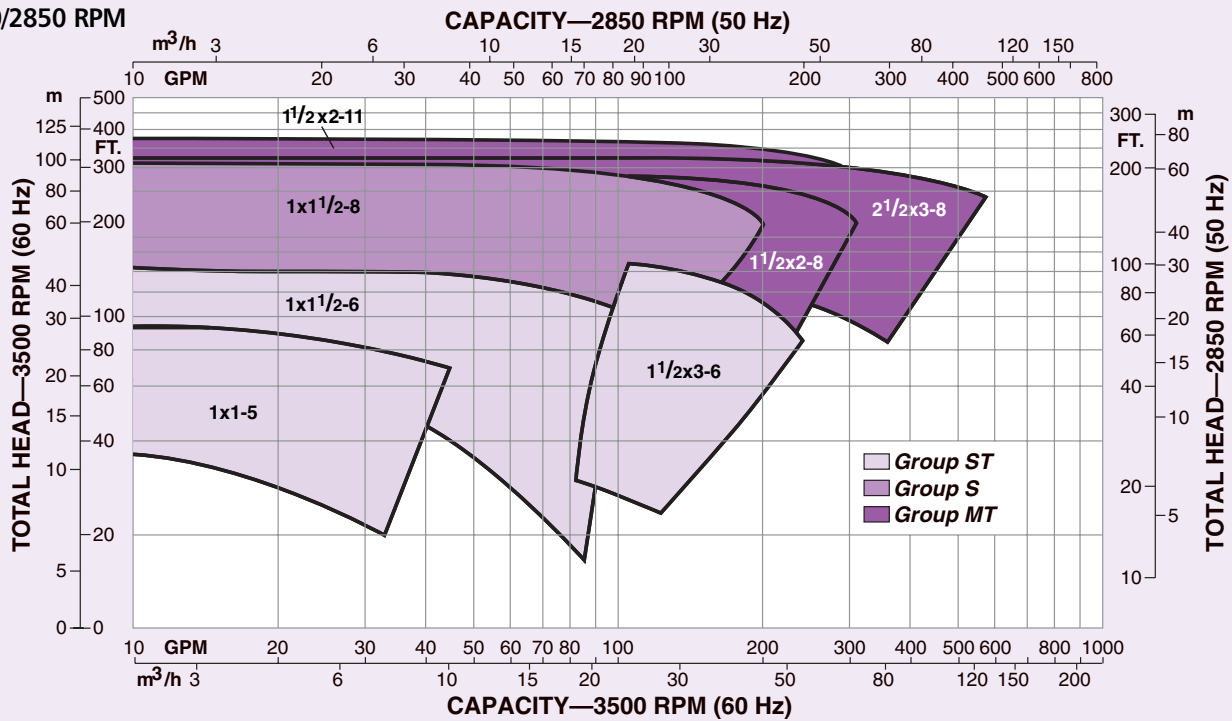


Parts List and Materials of Construction

Part Name	S-1/S-4	S-3	S-5	S-6	S-8	A-8	D-1	D-2	
Casing	A216 WCB					A743 CF8M	A890 Gr. 4A	A890 Gr. 5A	
Impeller	A536 65-45-12	A436 Type 2	A216 WCB	A487 CA6NM	A743 CF8M	A743 CF8M	A890 Gr. 4A	A890 Gr. 5A	
Thrust Bearings	40 Degree angular contact w/ machined brass cage								
Shaft	A582 S41600					A276 S31600	A276 S31803	A479 S32750	
Bearing Shell	A216 WCB								
Suction Cover	A216 WCB					A743 CF8M	A890 Gr. 4A	A890 Gr. 5A	
Strainer	316 plate						A890 Gr. 4A	A890 Gr. 5A	
Support Plate	Carbon steel								
Flush Tubing	As specified								
Column	Carbon steel					A312 316L	A790 S31803	A790 S32750	
Discharge Pipe	Schedule 40, A53 Gr. F					A312 316L	A790 S31803	A790 S32750	
Steady Bearings	Carbon or as specified								
Motor Support	A48 Cast iron								
Discharge Elbow	A216 WCB					A351 CF3M	A890 Gr. 4A	A890 Gr. 5A	
Labyrinth Seals	Bronze INPRO®								
Gaskets	Nitrile acrylic								
Bolt – Column to Casing	A193 B8M						B574 S10276		
Bolt – Elbow to Casing									

Hydraulic Coverage Charts

3500/2850 RPM



1750/1450 RPM

