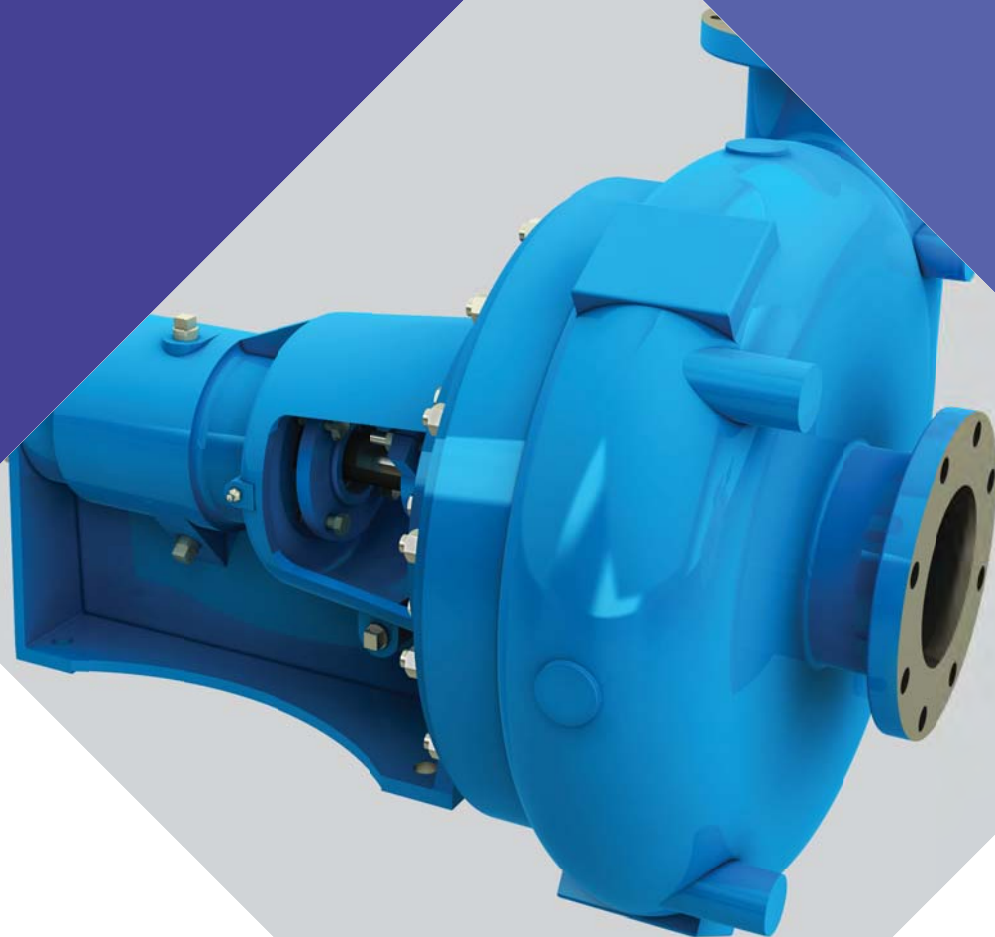


 **GOULDS PUMPS**

Goulds HS

Horizontal Hydro-Solids Pump



avrorarm.ru
+7 (495) 956-62-18



ITT

ENGINEERED FOR LIFE

Goulds HS

Goulds HS

Recessed Impeller Pump Designed for Handling Large Solids Entrained Air and Fibrous Materials

- Capacities to: 7,000 GPM (1,590 m³/h)
- Heads to: 140 feet (43 m)
- Temperatures to: 200°F (93°C)
- Pressure to: 100 PSIG (690 kPa)
- Solids to: 10 inches (254 mm)

Services:

- Waste Treatment Plants: Raw Sewage, Sewage Sludge, Water, Resin, and Fiber, Water and Ashes, Textile Mill Effluent
- Pulp and Paper: Paper Stock, Plant Effluent, Black Liquor, Filtrate
- Food Processing: Beet Pulp, Dirty Water, Vegetable Refuse, Lemons, Tomato Wash Water
- Foundries and Steel Mills: Mill Scale, Water and Slag, Grit
- Agriculture: Liquid Manure, Drainage, Mulch, Seed, and water, Cane Wash, Sprigs, Wood, and Fiber
- Manufacturing: Paint Sludge, Plant Sewage and Sludge, Floor Wash, Clay Slip, Clarifier Sludge

Design Features

- Recessed, Non-Clog Impeller
- Back Pull-Out Design
- Extra Thick Casing and Impeller
- Available in Cast Iron, High Chrome Iron, and 316 SS



This Model HS Horizontal Hydro-Solids pump eliminates clogging problems encountered with conventional centrifugal pumps. The recessed impeller design handles large particle solids and fibrous/stringy materials. Any spherical solids that will enter the suction (up to 10") will pass through the discharge.

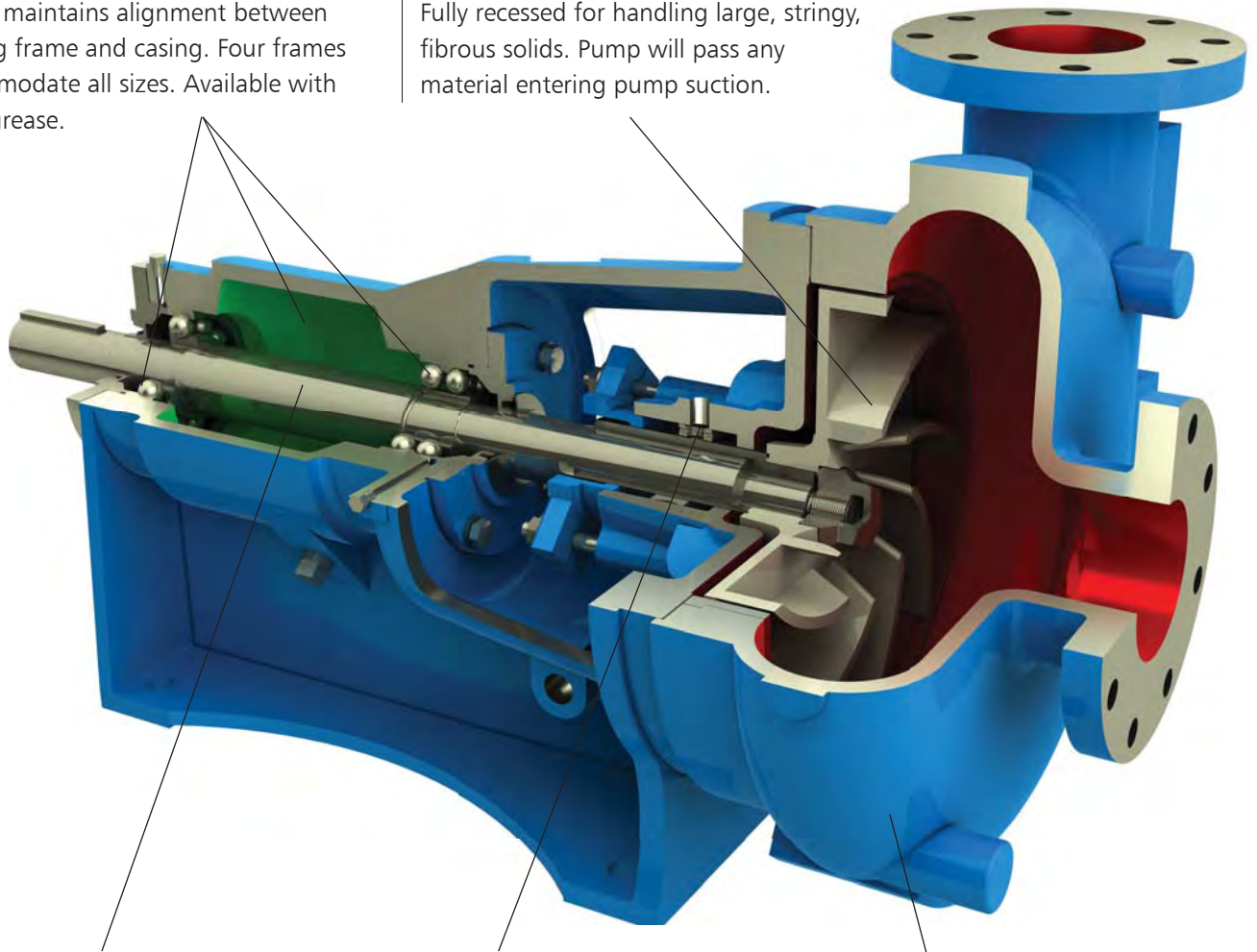
HS Hydro-Solids Pump

BEARINGS AND FRAME

Rigidly maintains alignment between bearing frame and casing. Four frames accommodate all sizes. Available with oil or grease.

IMPELLER

Fully recessed for handling large, stringy, fibrous solids. Pump will pass any material entering pump suction.



SHAFT AND SHAFT SLEEVE

Full length hook-type sleeve protects shaft from traces of abrasive slurry.

STUFFING BOX

Easily accessible for service. Accommodates packing or mechanical seals.

CASING

Heavy duty concentric casing virtually eliminates radial shaft loading and extends bearing life.

The HS Family Provides Pumping Versatility



HSUL Submersible Hydro Solids Model

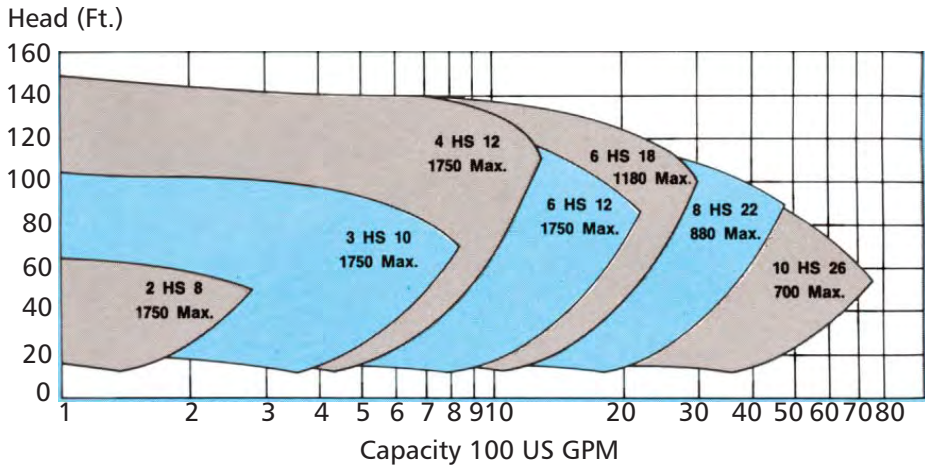
Designed specifically for sump clean-out operations, sewage wet wells and general industrial applications.



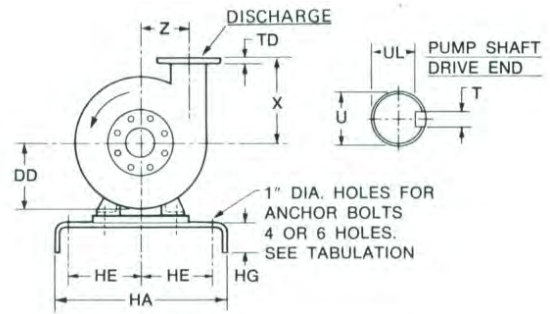
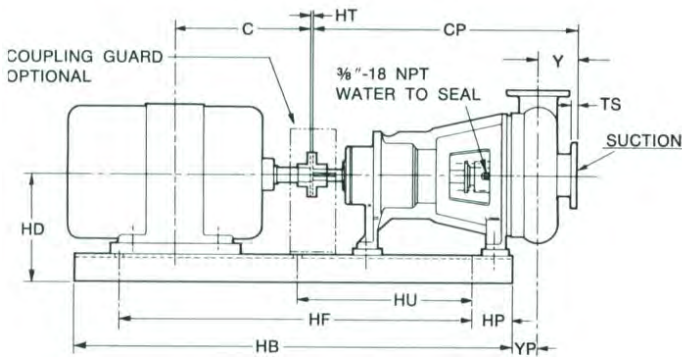
VHS Vertical Cantilever Model

Especially designed for wet pit installation. Unlike standard vertical wet pit pumps, NO bearings or sealing devices are required below the floor plate. Problems of lubrication, sealing, and maintenance are eliminated. Available in settings up to 10 feet.

HS Range Chart



Mechanical Specifications and Dimensional Data



| Pump Size | Bearing Frame | CP | HL | YP | BD | X | Z | D |
|------------|---------------|---------------|--------------|--------------|--------------|--------------|-------------|------------|
| 2 × 2-8 | 2 HM | 29 9/16 (751) | 3 (76) | 5 1/16 (129) | 5 3/4 (146) | 7 3/4 (197) | 4 3/8 (111) | 4 (102) |
| 3 × 3-10 | 2 HM | 32 1/4 (819) | 4 1/2 (114) | 6 1/4 (159) | 7 7/16 (189) | 9 5/8 (245) | 5 1/2 (140) | 4 (102) |
| 4 × 4-12 | 3 HM | 37 3/8 (950) | 5 1/2 (140) | 7 (178) | 9 (229) | 11 1/2 (292) | 6 1/2 (165) | 4.25 (108) |
| 6 × 6-12 | 3 HM | 40 7/8 (1038) | 7 1/2 (191) | 8 1/2 (216) | 10 1/8 (257) | 13 (330) | 6 1/2 (165) | 4.25 (108) |
| 6 × 6-18 | 3 HM 18 | 41 7/8 (1064) | 7 1/2 (191) | 9 1/2 (241) | 13 1/4 (337) | 16 (406) | 9 5/8 (245) | 4.25 (108) |
| 8 × 8-22 | 4 HM | 50 1/4 (1276) | 9 (229) | 11 1/4 (286) | 16 3/4 (425) | 20 1/2 (521) | 12 (305) | 5.75 (146) |
| 10 × 10-26 | 4 HM | 53 3/8 (1356) | 10 1/2 (267) | 13 3/8 (340) | 19 7/8 (505) | 24 (610) | 14 (356) | 5.75 (146) |



ENGINEERED FOR LIFE