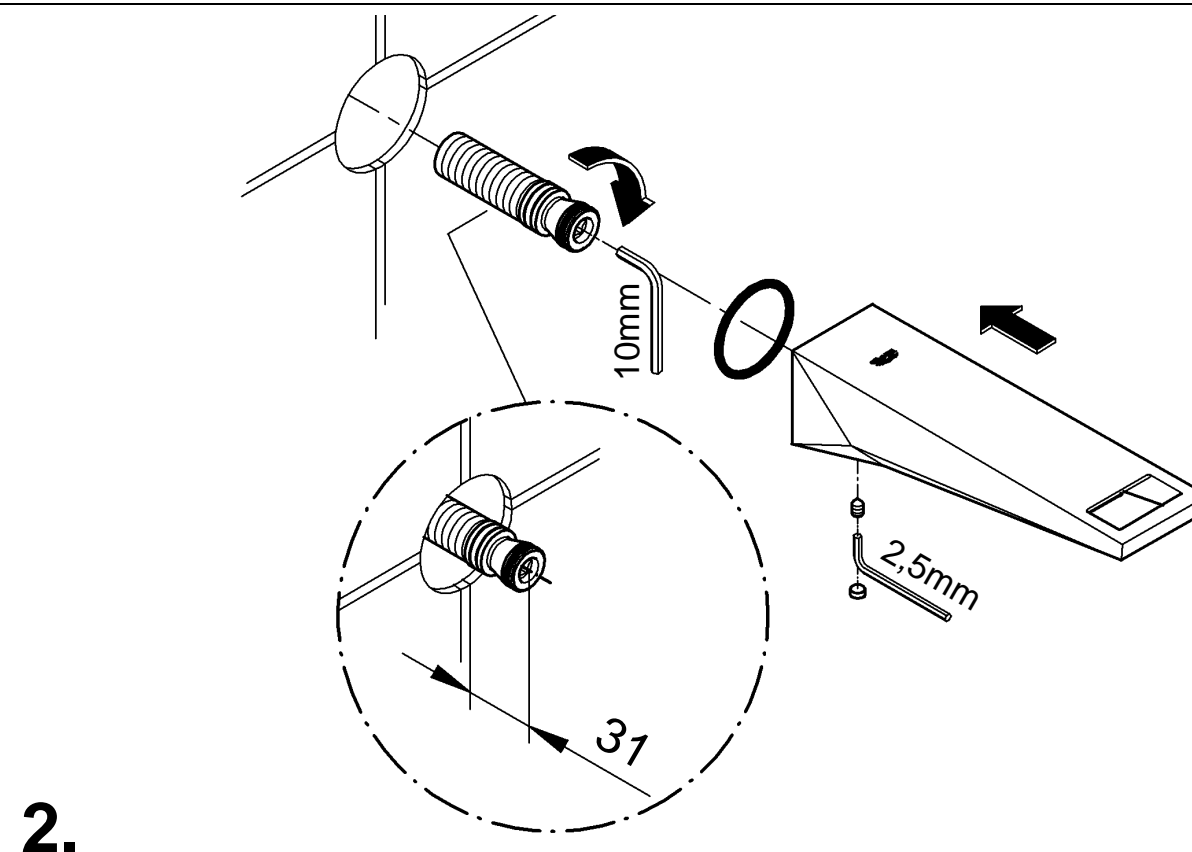
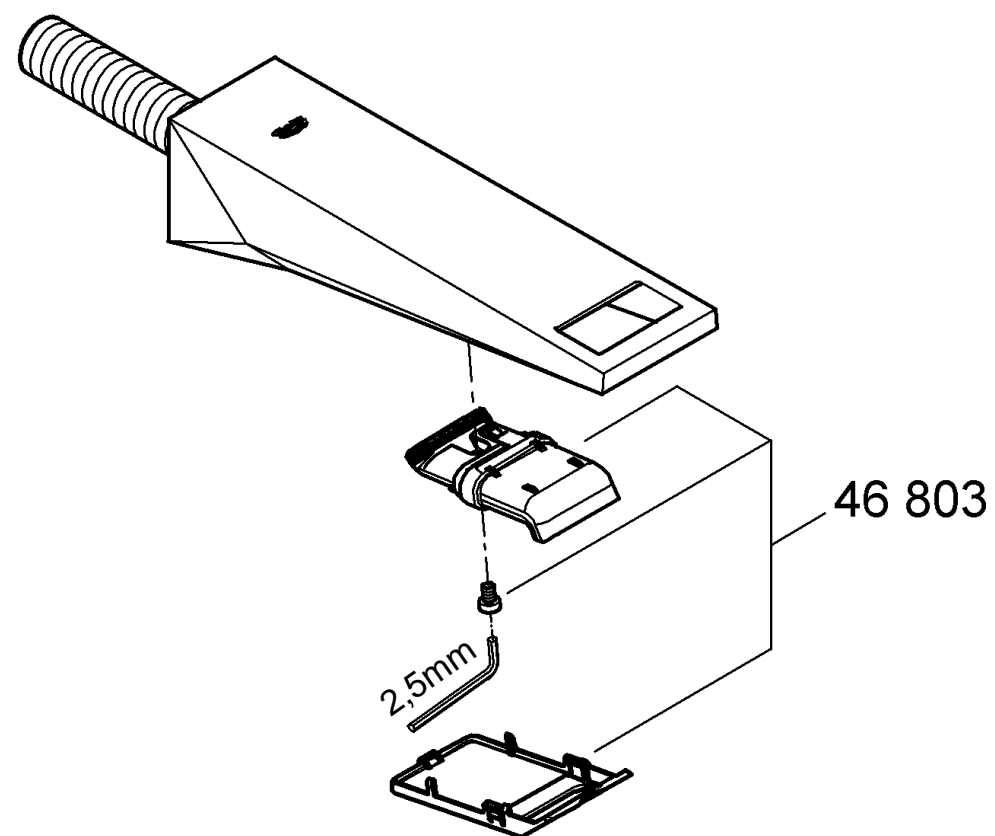
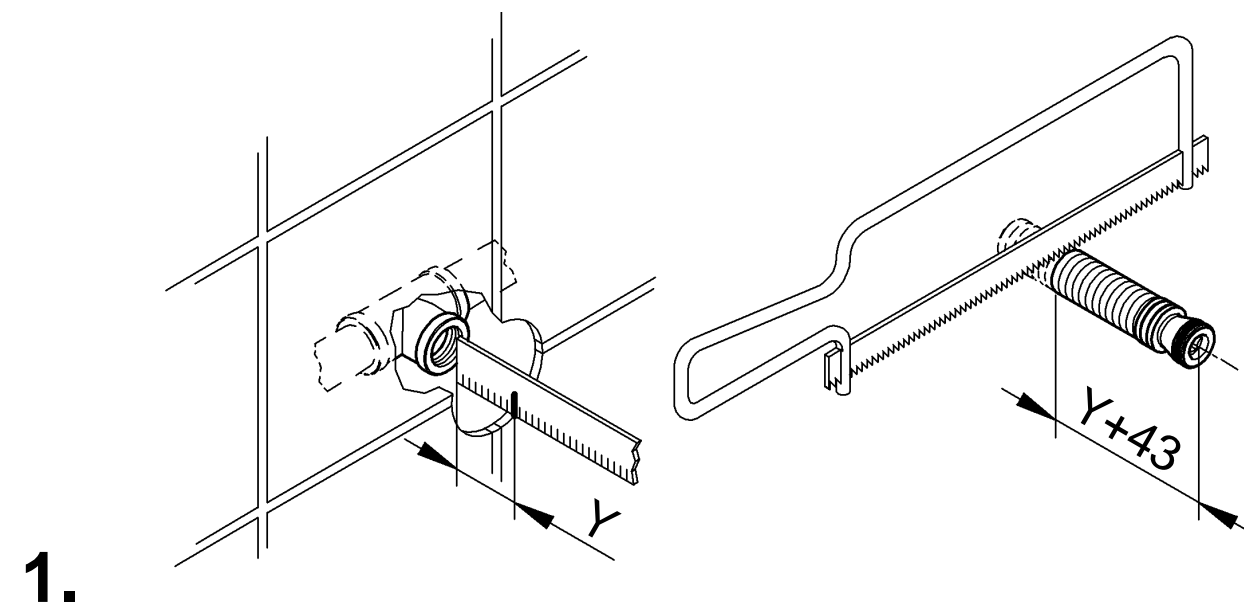
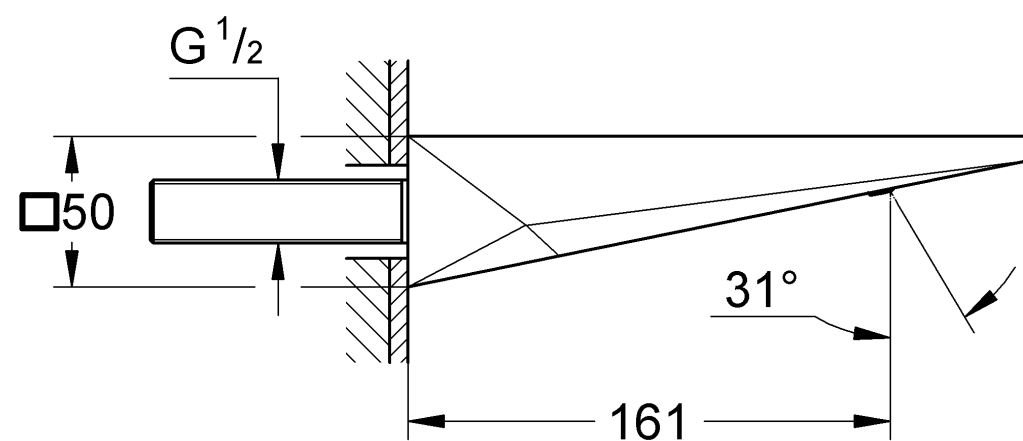




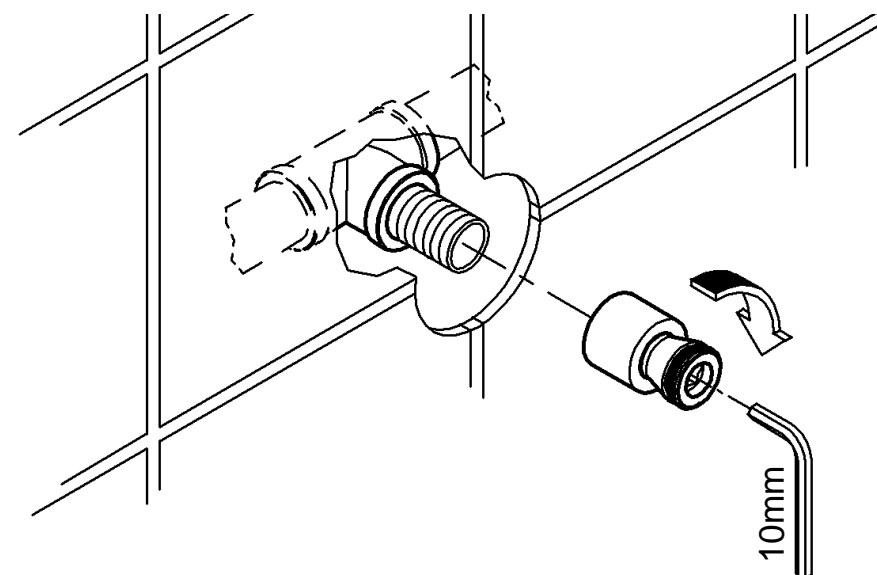
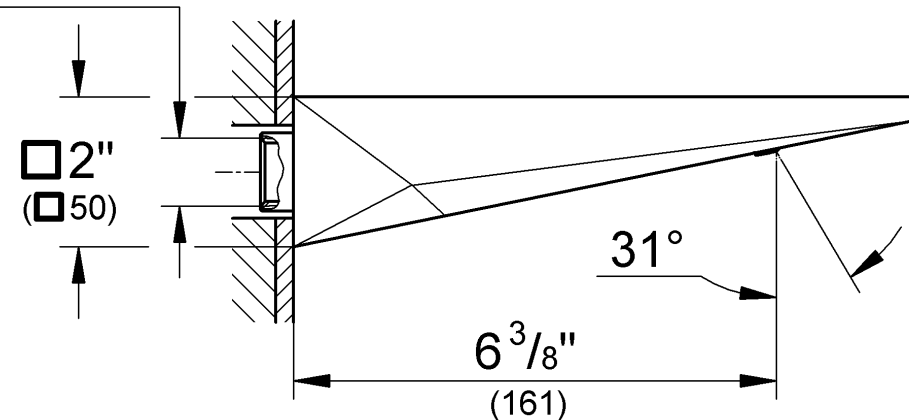
13 299



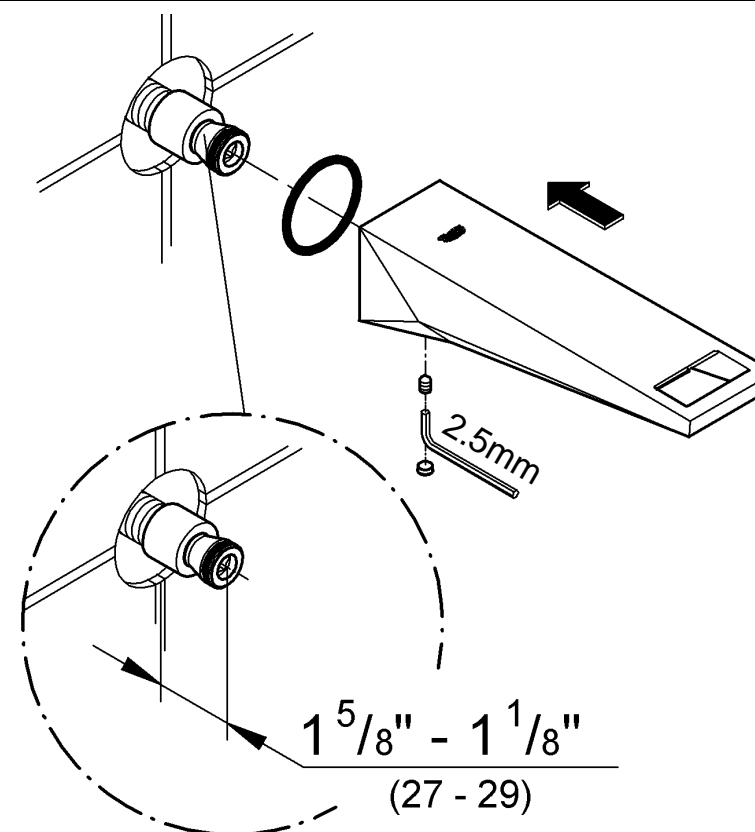
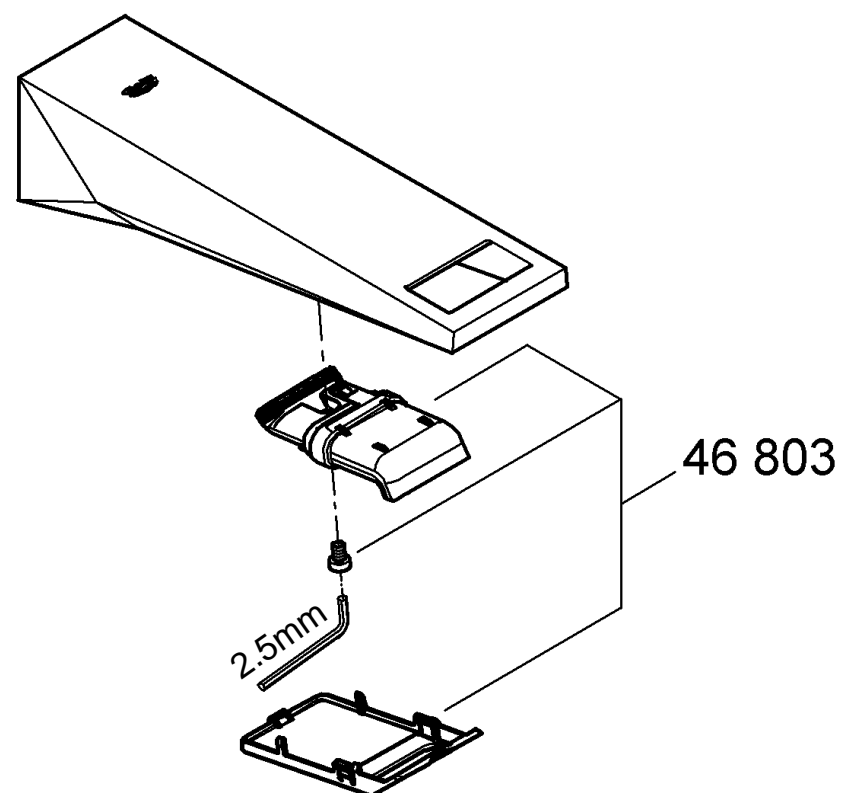


13 300

1/2" NPT-FIP



1.



2.