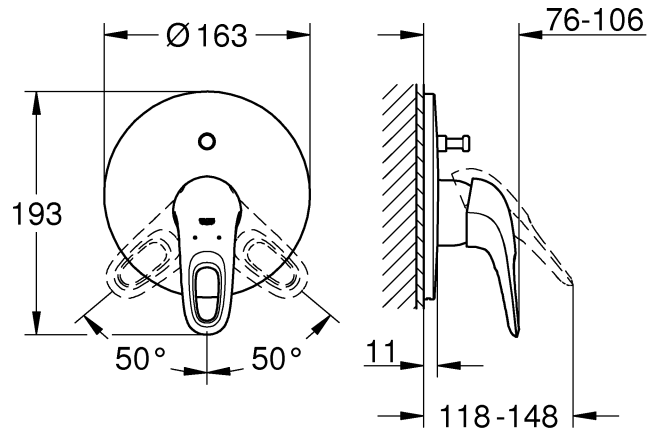
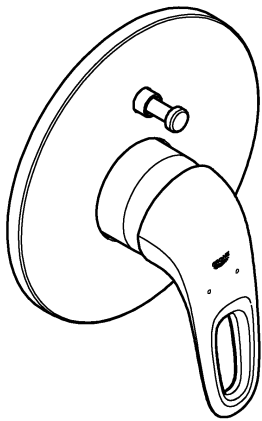
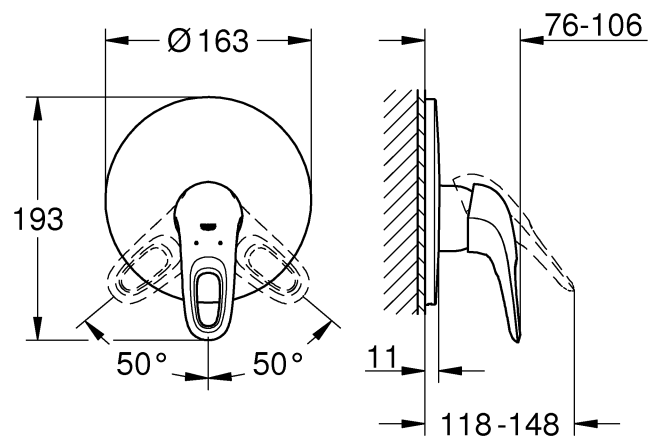
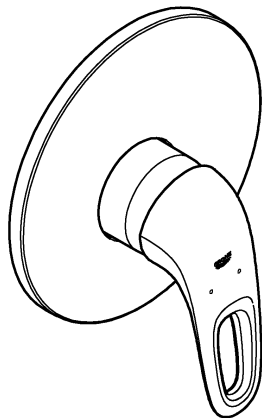




19 506



19 507



.....1



.....3



.....4



.....2

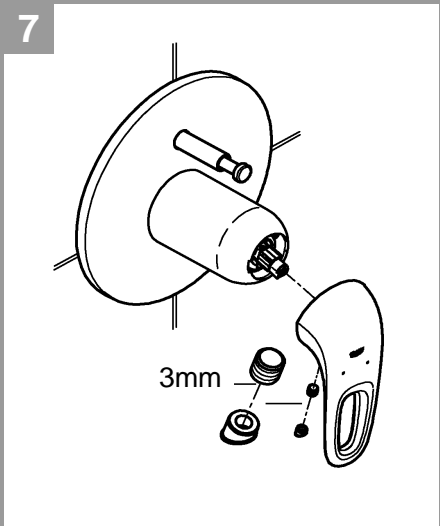
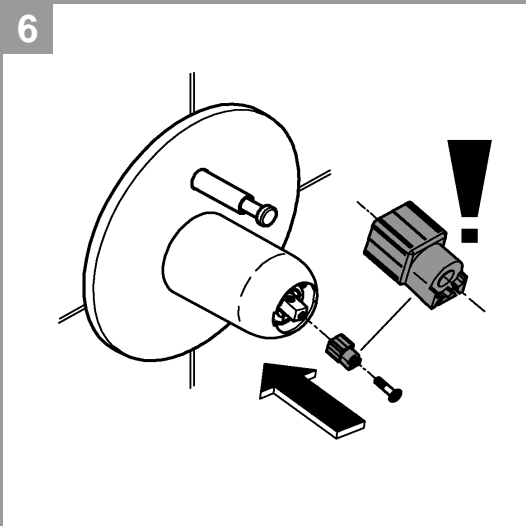
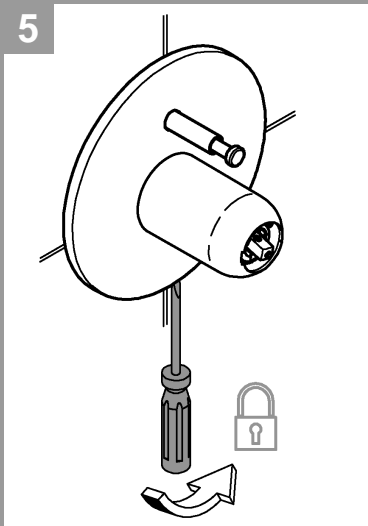
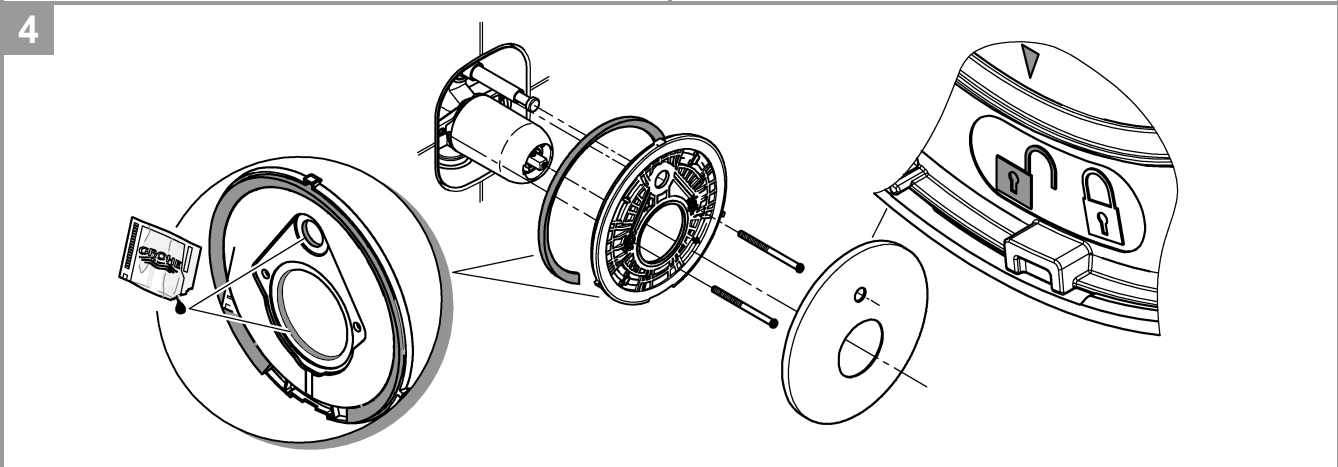
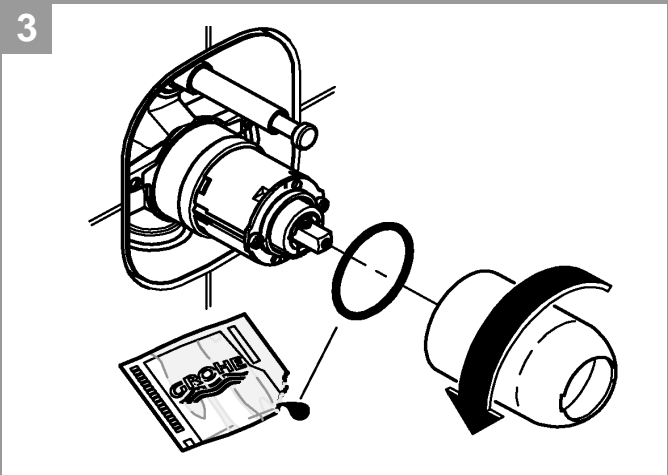
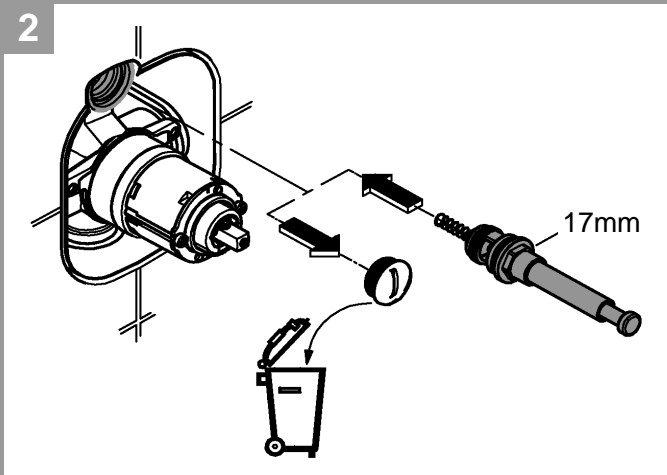
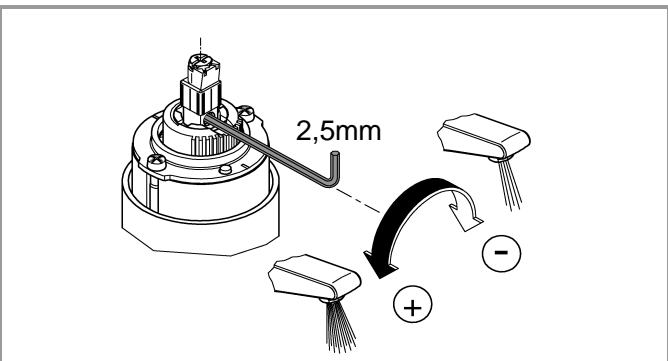
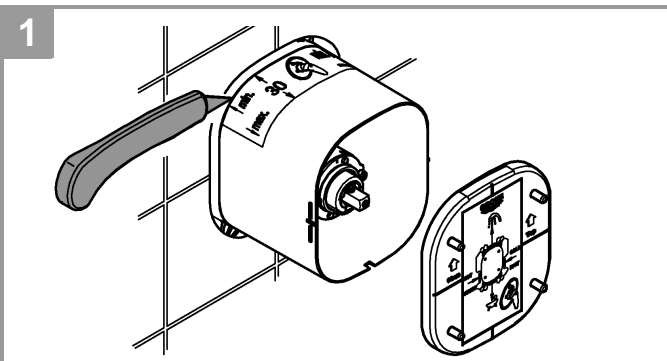


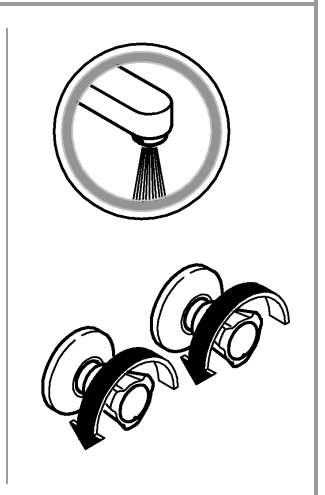
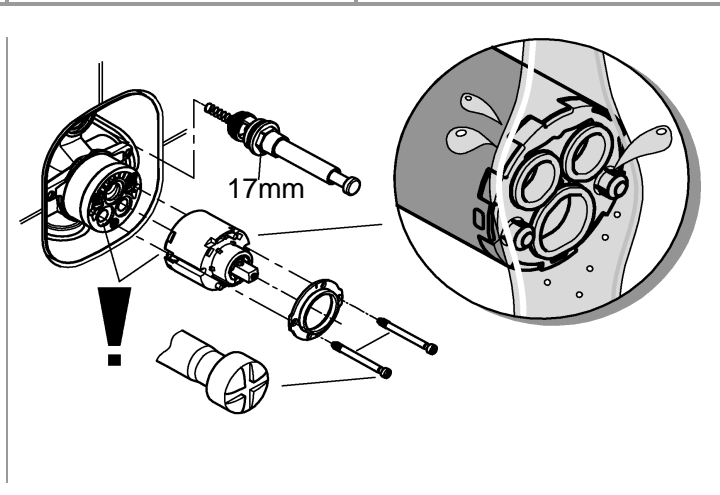
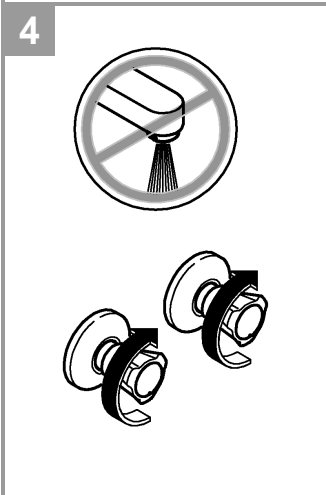
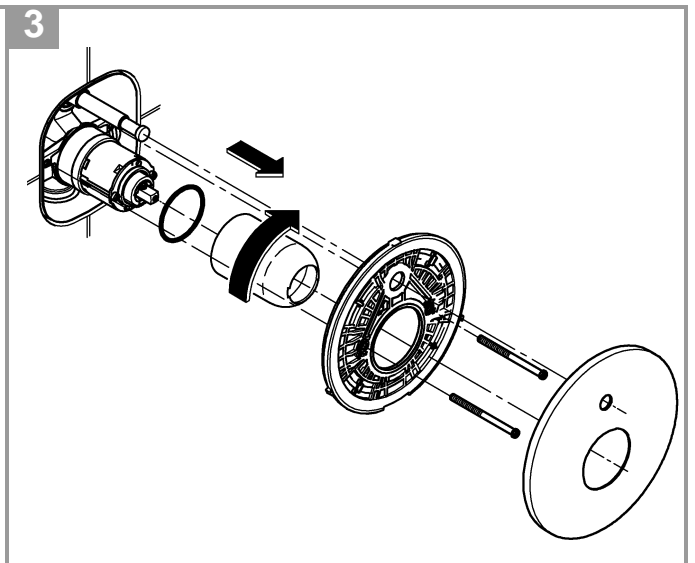
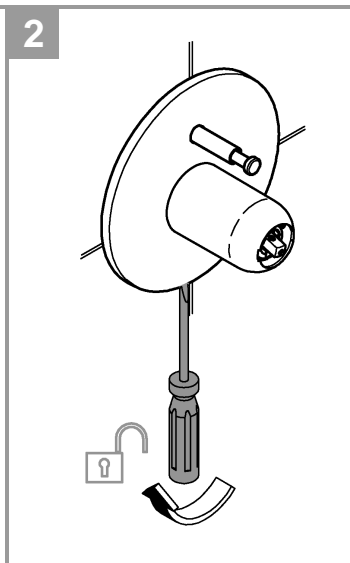
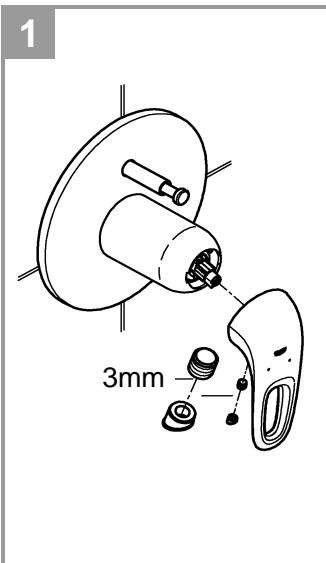
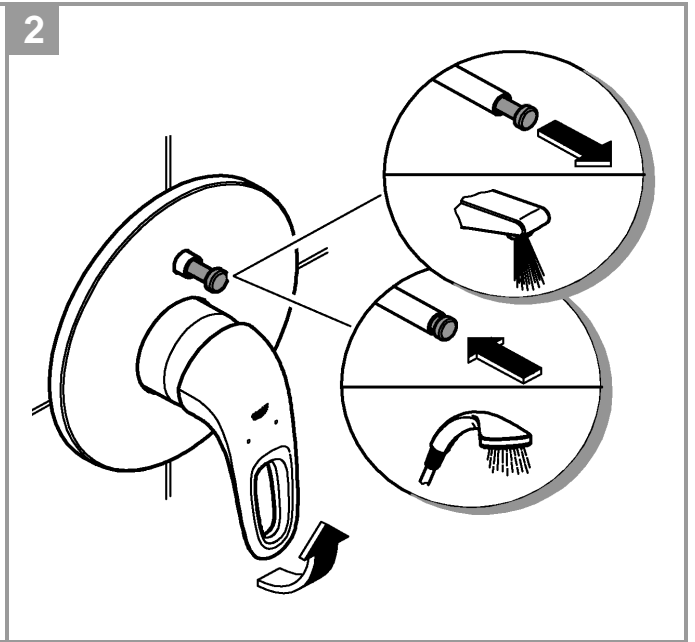
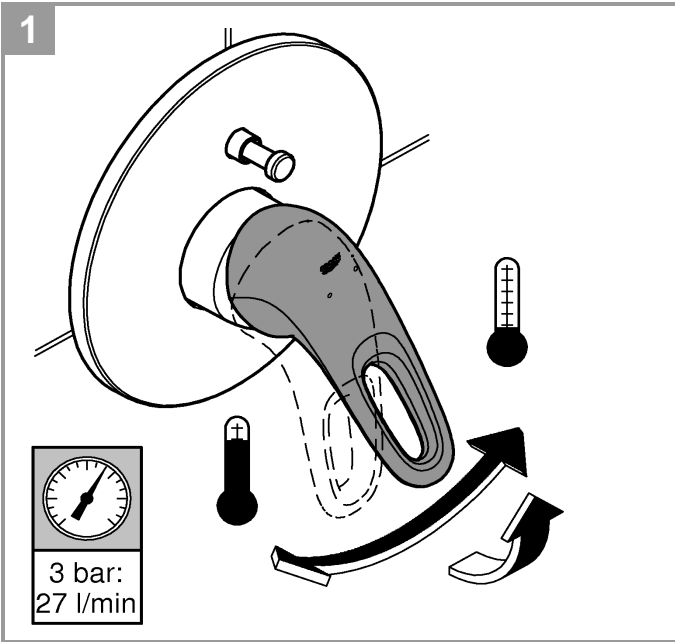
.....3



.....5

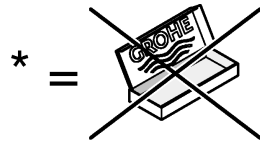
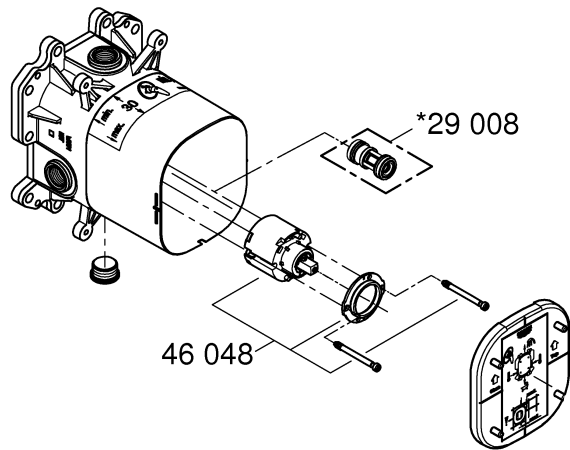




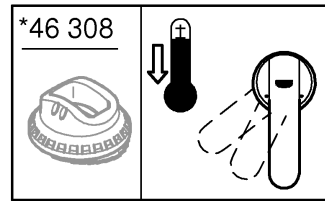
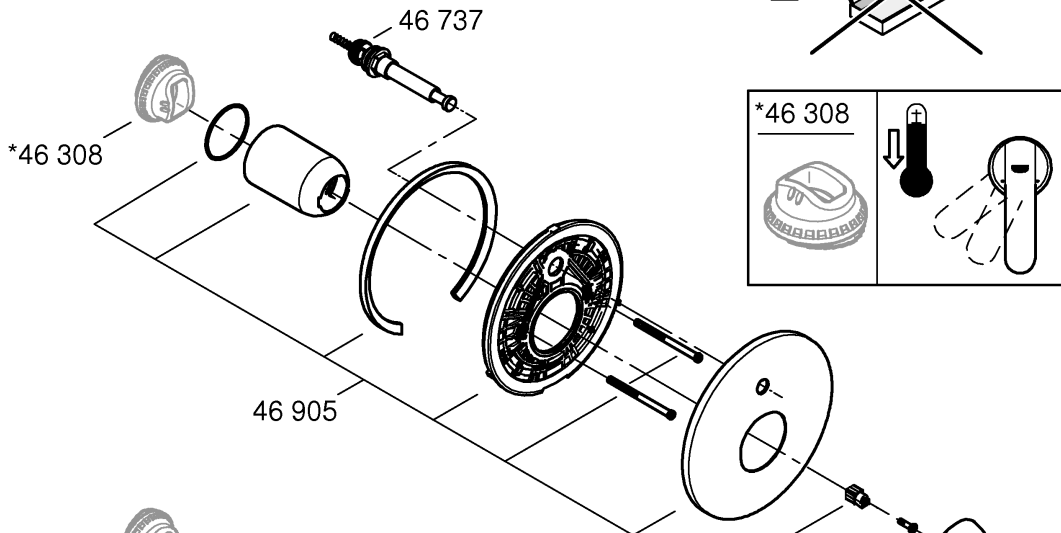




34 501



19 506



19 507

