

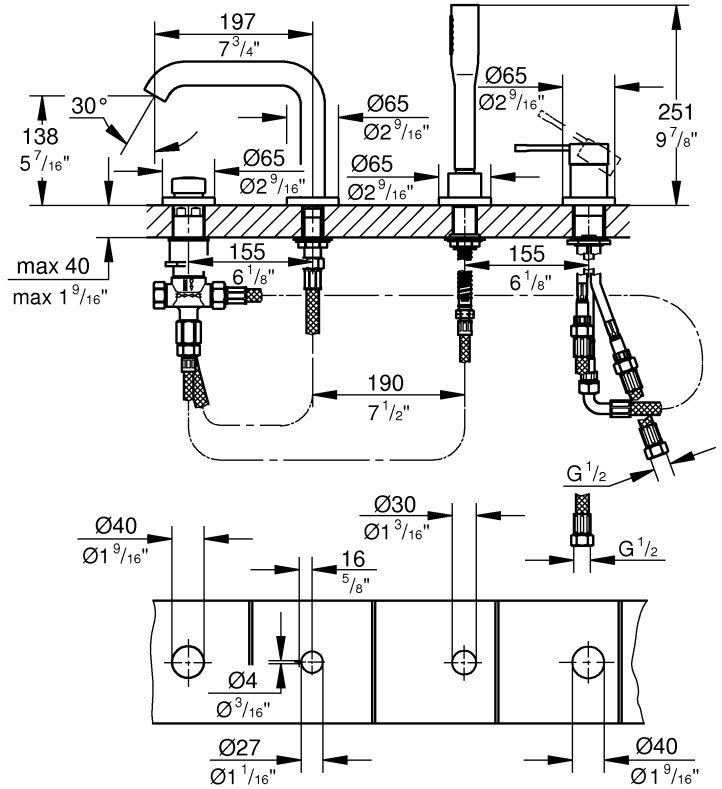
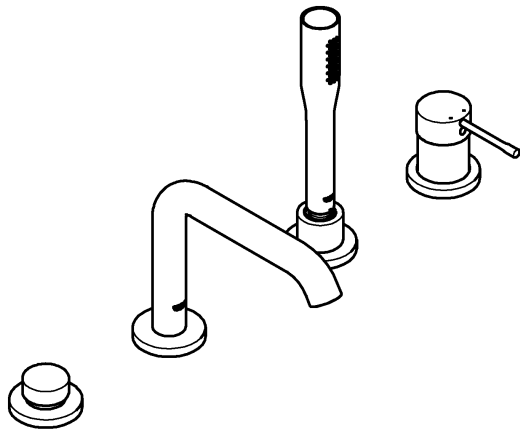
ESSENCE NEW
DESIGN + ENGINEERING
GROHE GERMANY

99.0282.231/ÄM 244523/05.19

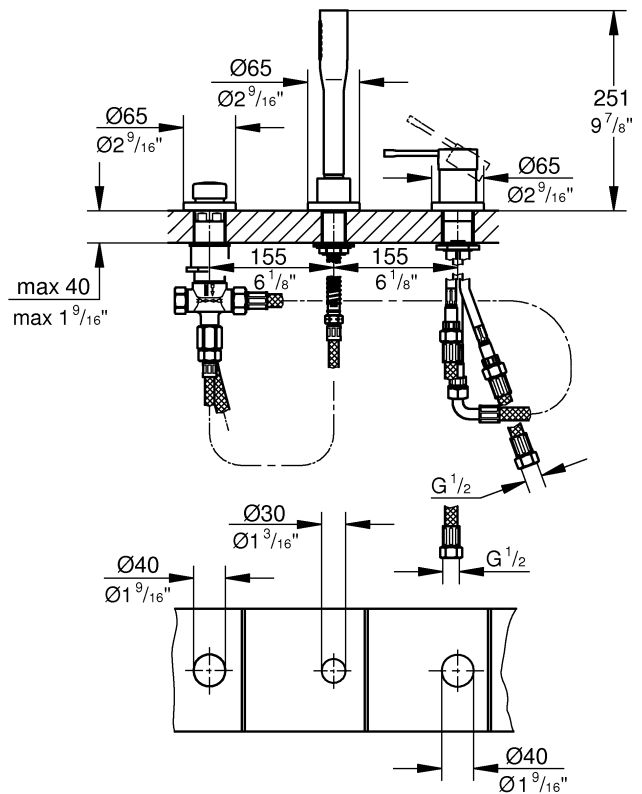
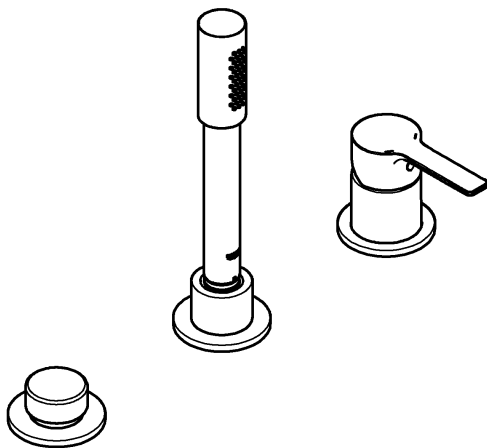
Pure Freude
an Wasser

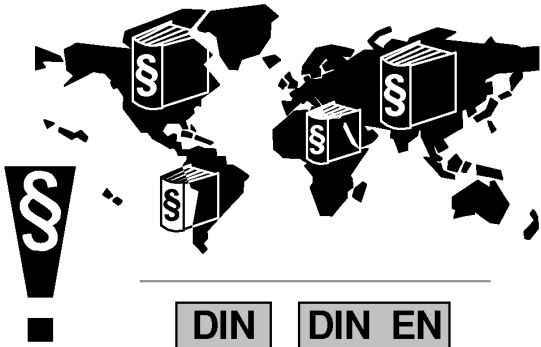


19 578



19 976





DIN
1988

DIN EN
806

bar

0,5 max. 10 5 1

psi

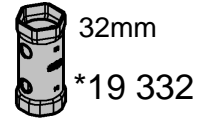
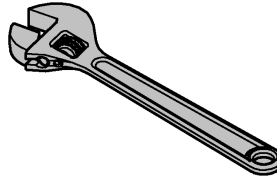
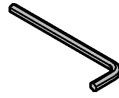
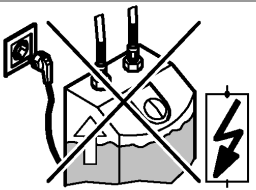
7.25 max. 145 72.5 14.5

°C

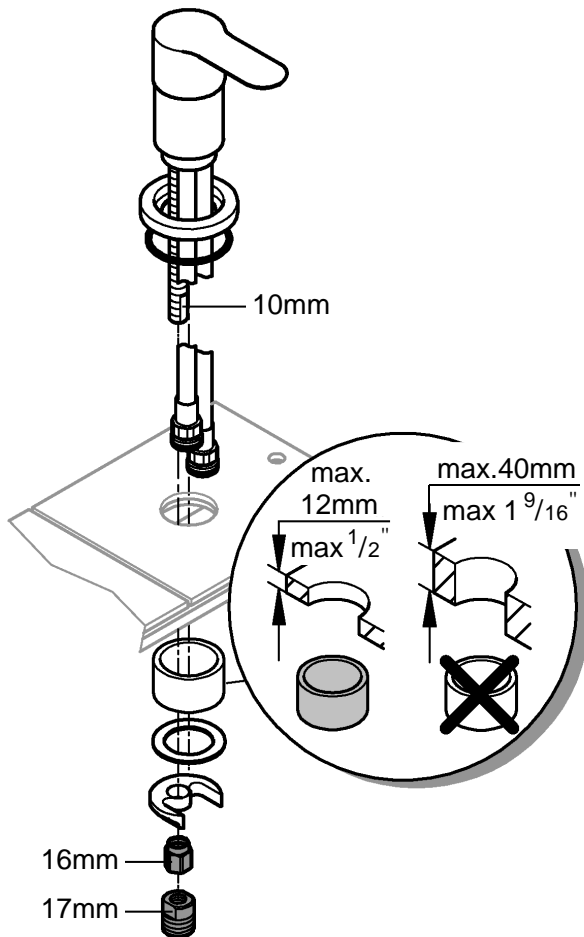
max. 70° 60°

°F

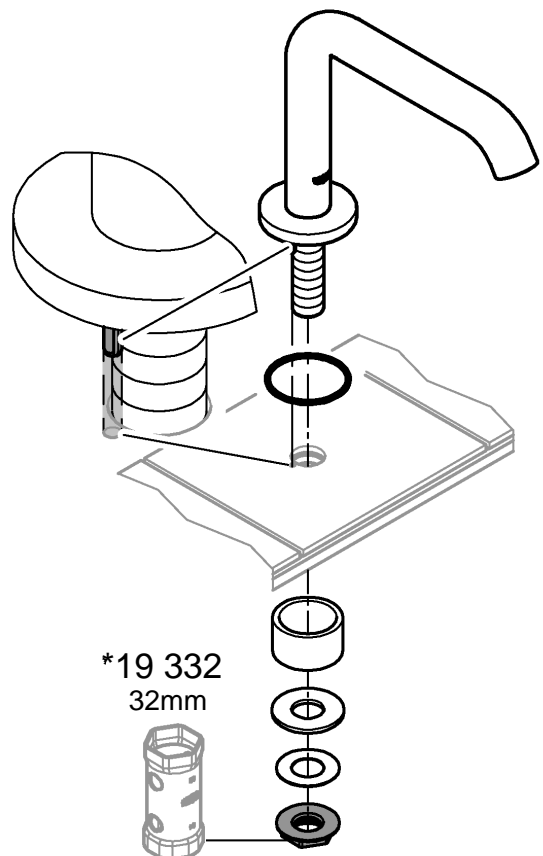
max. 158° 140°

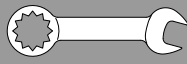


1

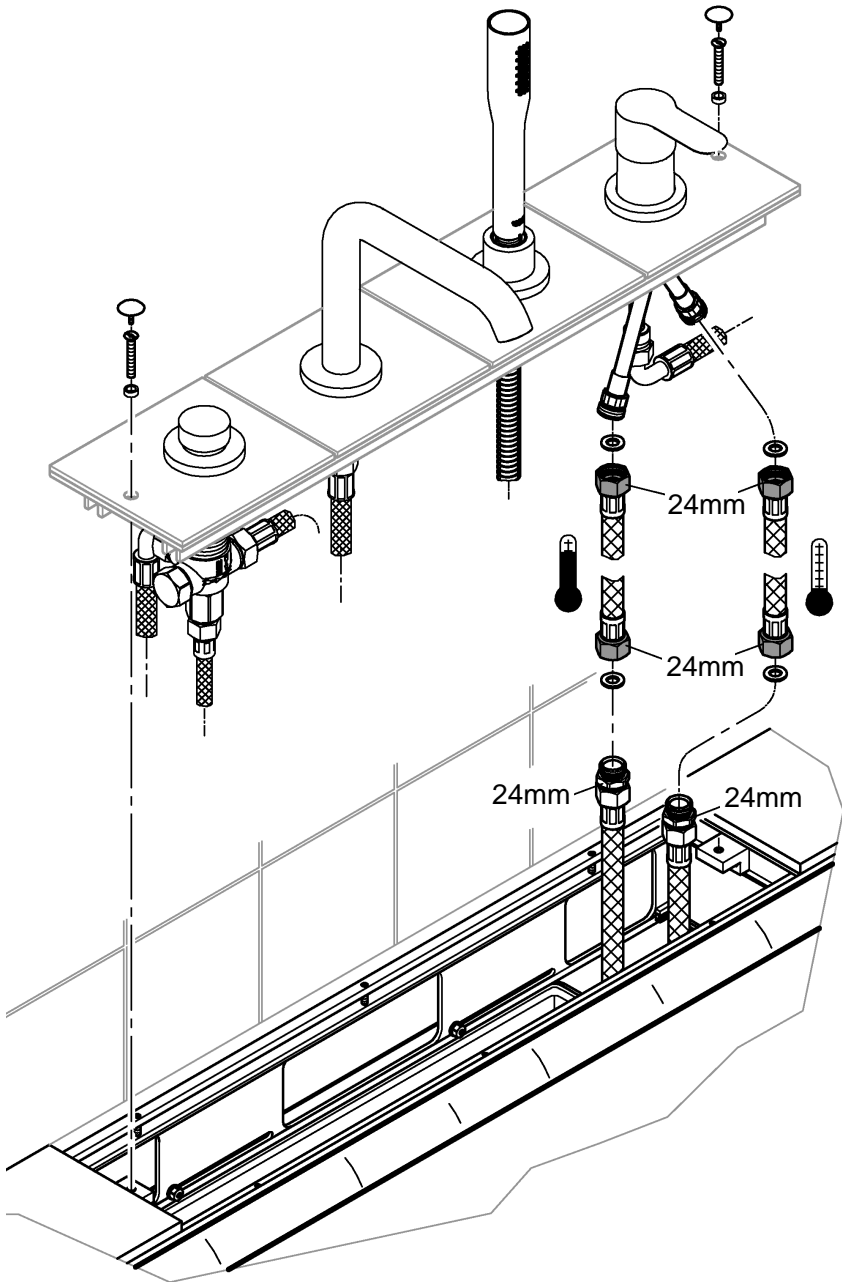
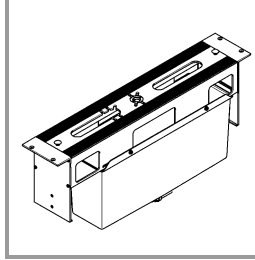


2

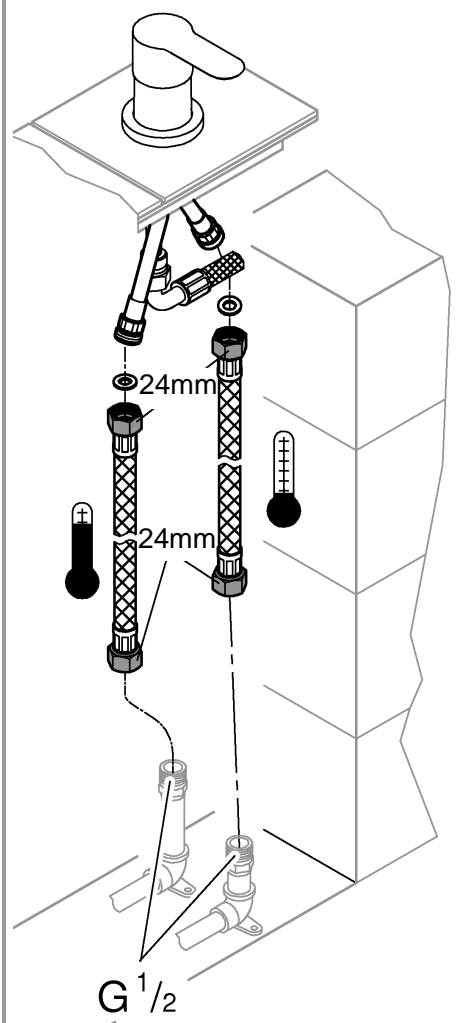
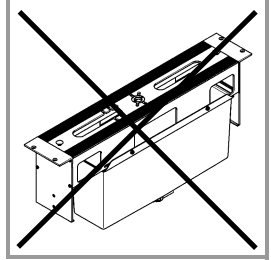


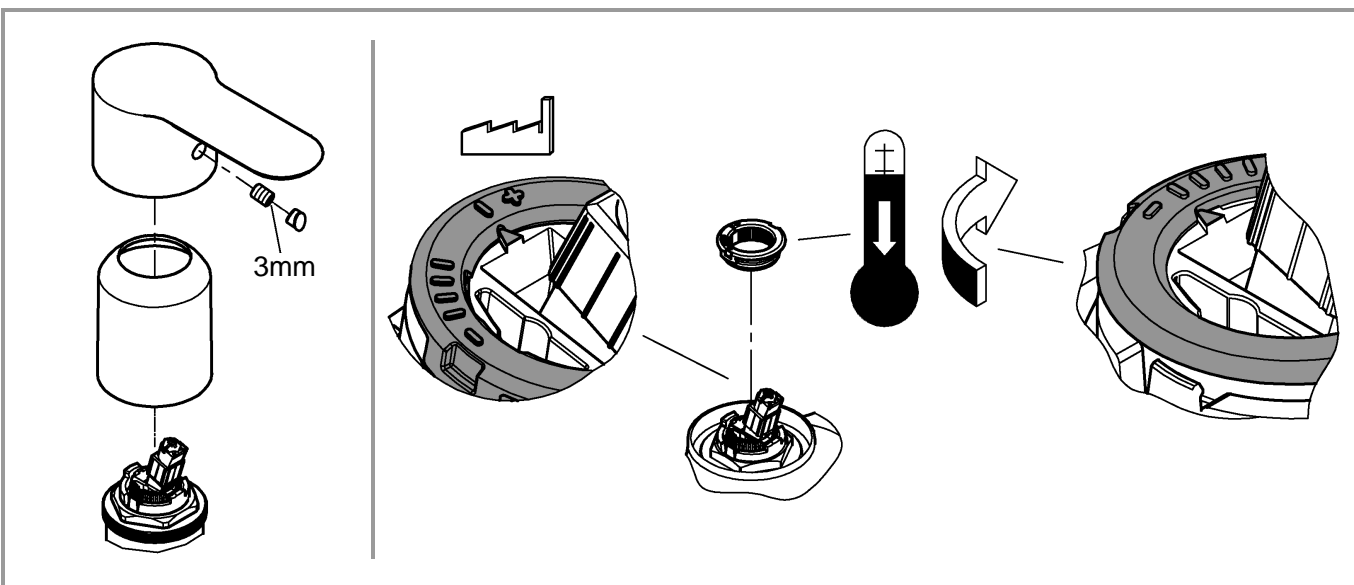
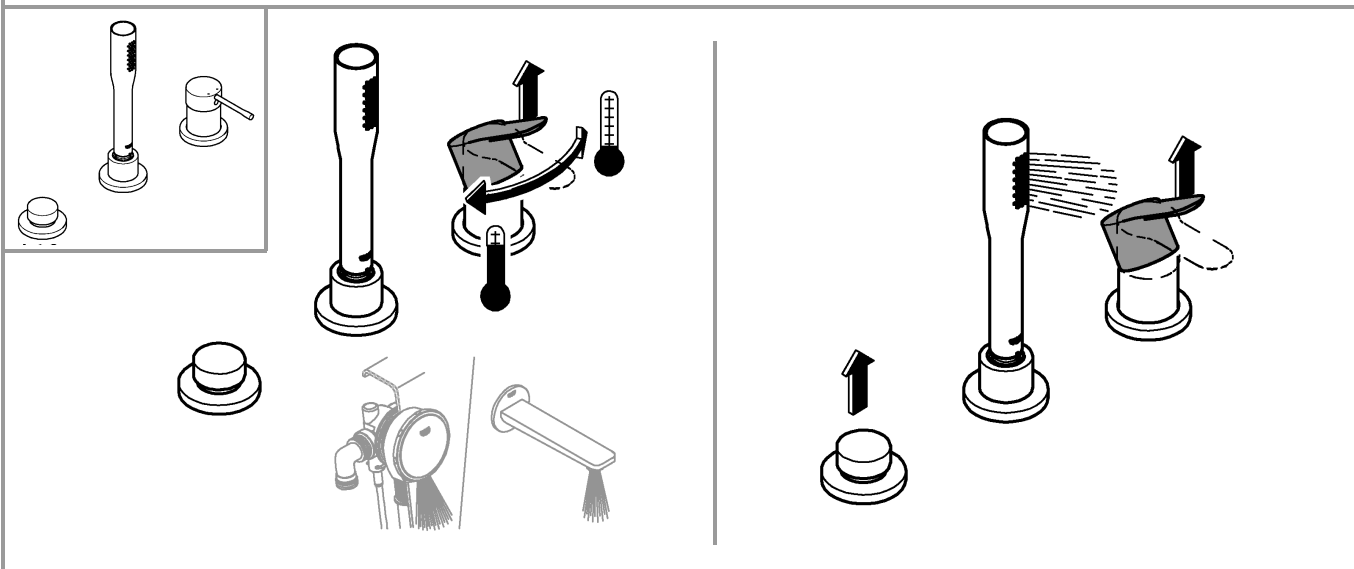
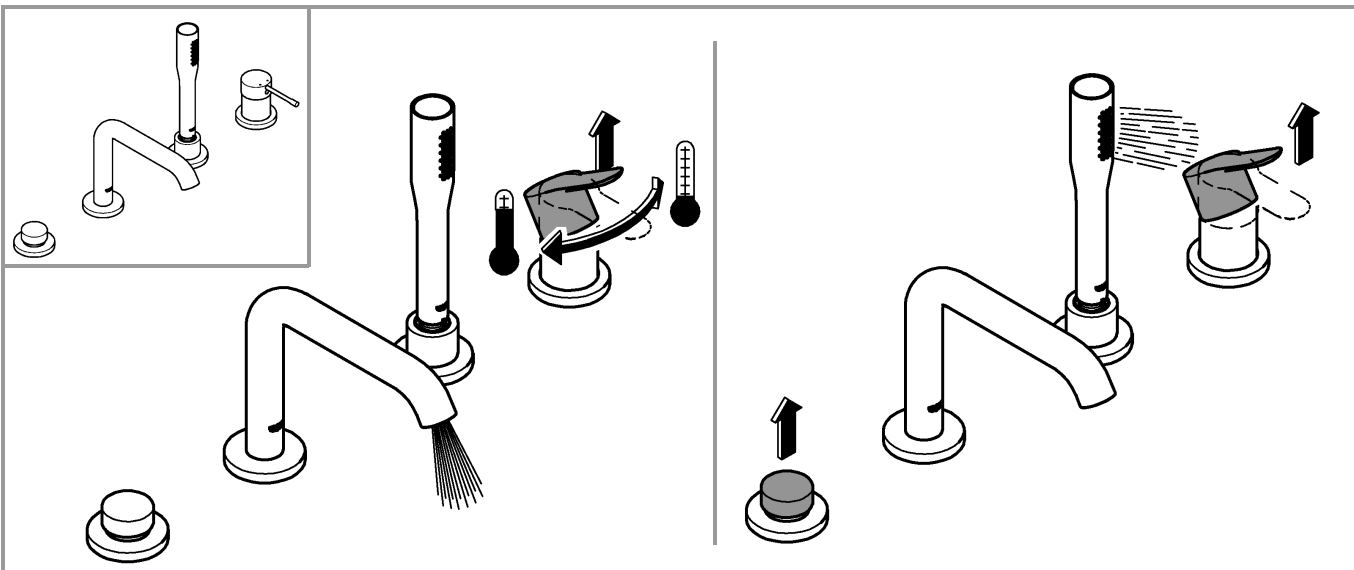
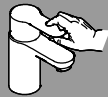


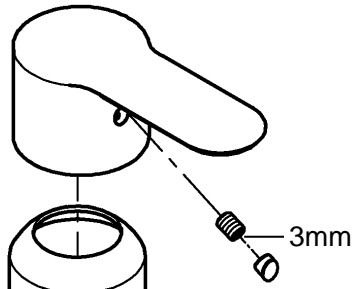
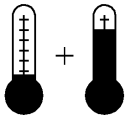
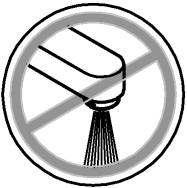
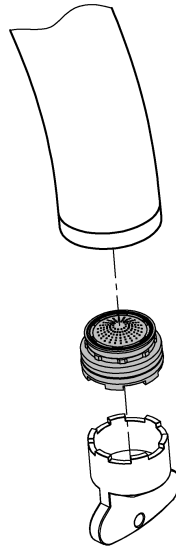
7a



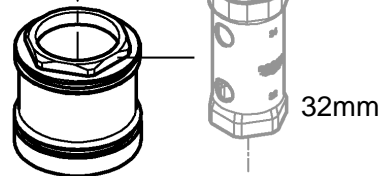
7b







*19 332



32mm

