

23 342  
 23 344  
 23 580

23 349  
 23 350  
 23 351  
 23 578

23 345

23 352  
 23 353

23 347

23 348

23 354

23 478

23 355

23 479



.....1



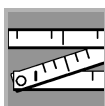
..3 - 4



.....9



.....11



.....2



..5 - 8



.....10



	23 342 23 349	23 344 23 351	23 345 23 352	23 347 23 354	23 348 23 355	23 350	23 353	23 478	23 479	23 580 23 578	
	X	X				X				X	
			X				X				
				X				X			
					X				X		
	X		X								
										X	
						X	X				
	X	X	X			X	X			X	
				X	X						

DIN 1988

DIN EN 806

**bar**

**°C**

max. 0,5

max. 10

5

1

max. 70°

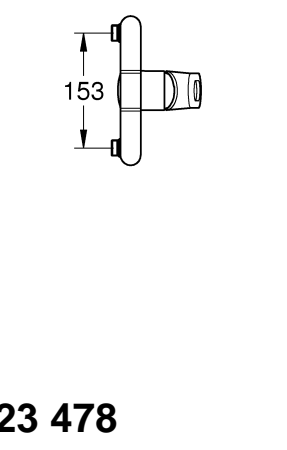
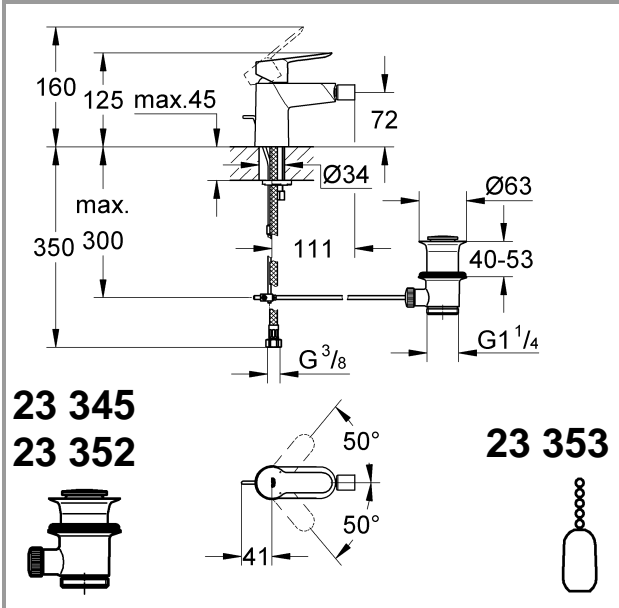
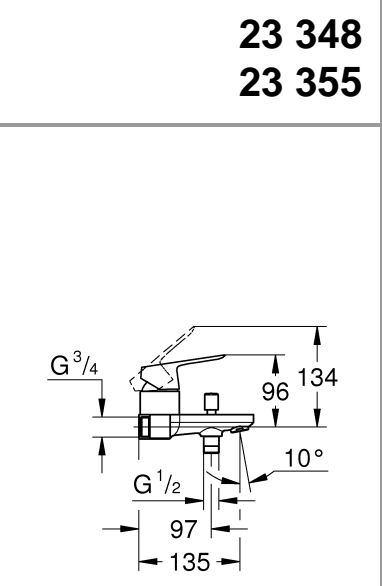
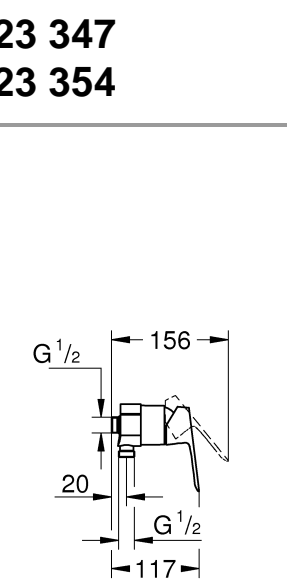
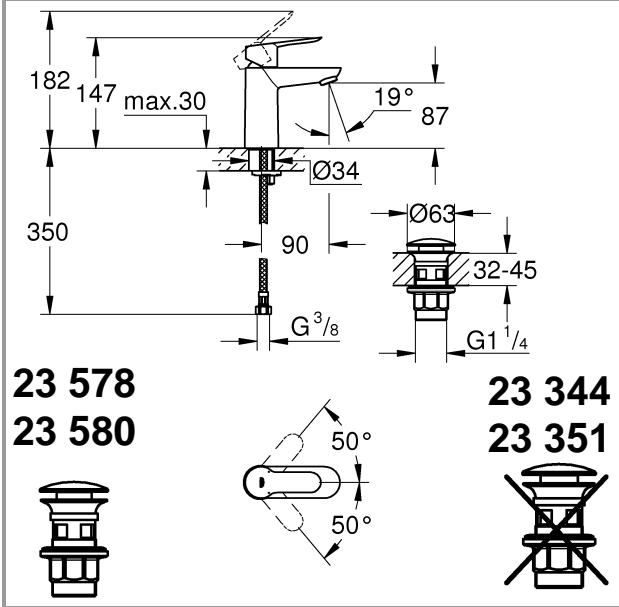
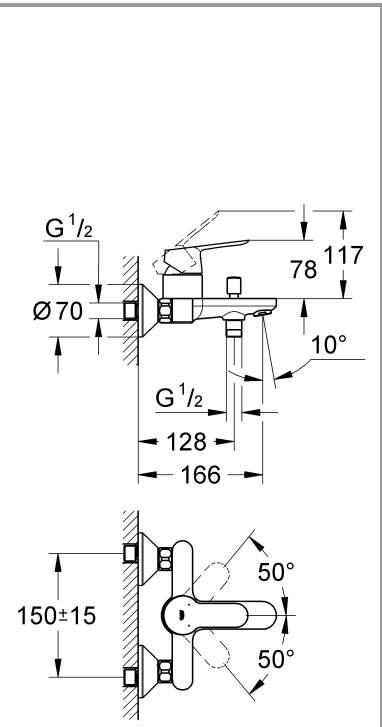
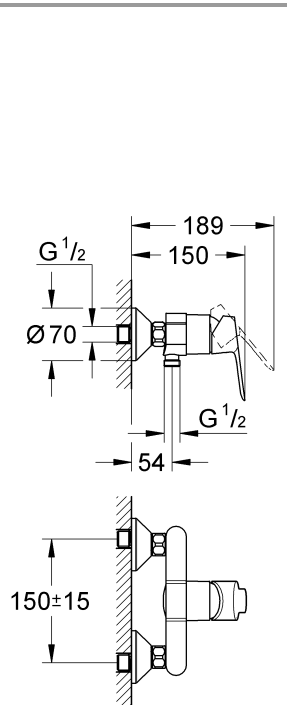
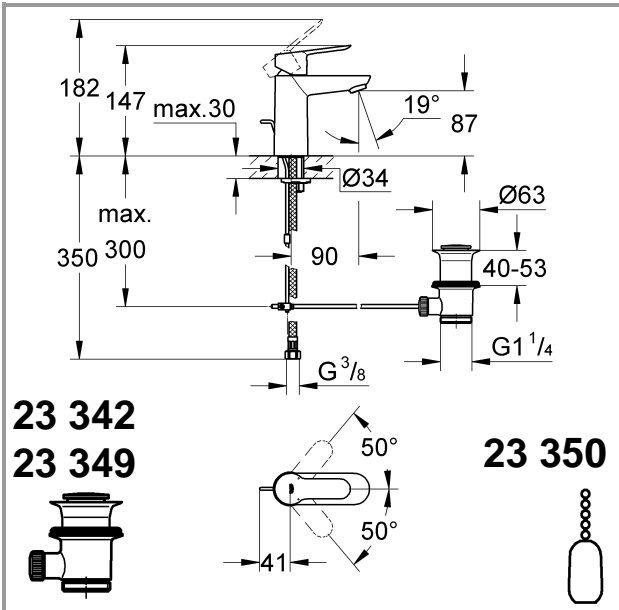
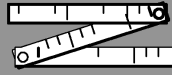
60°

2,5mm  
3mm

Installation kit

\*19 377  
30mm

\*19 017  
13mm





StartEdge

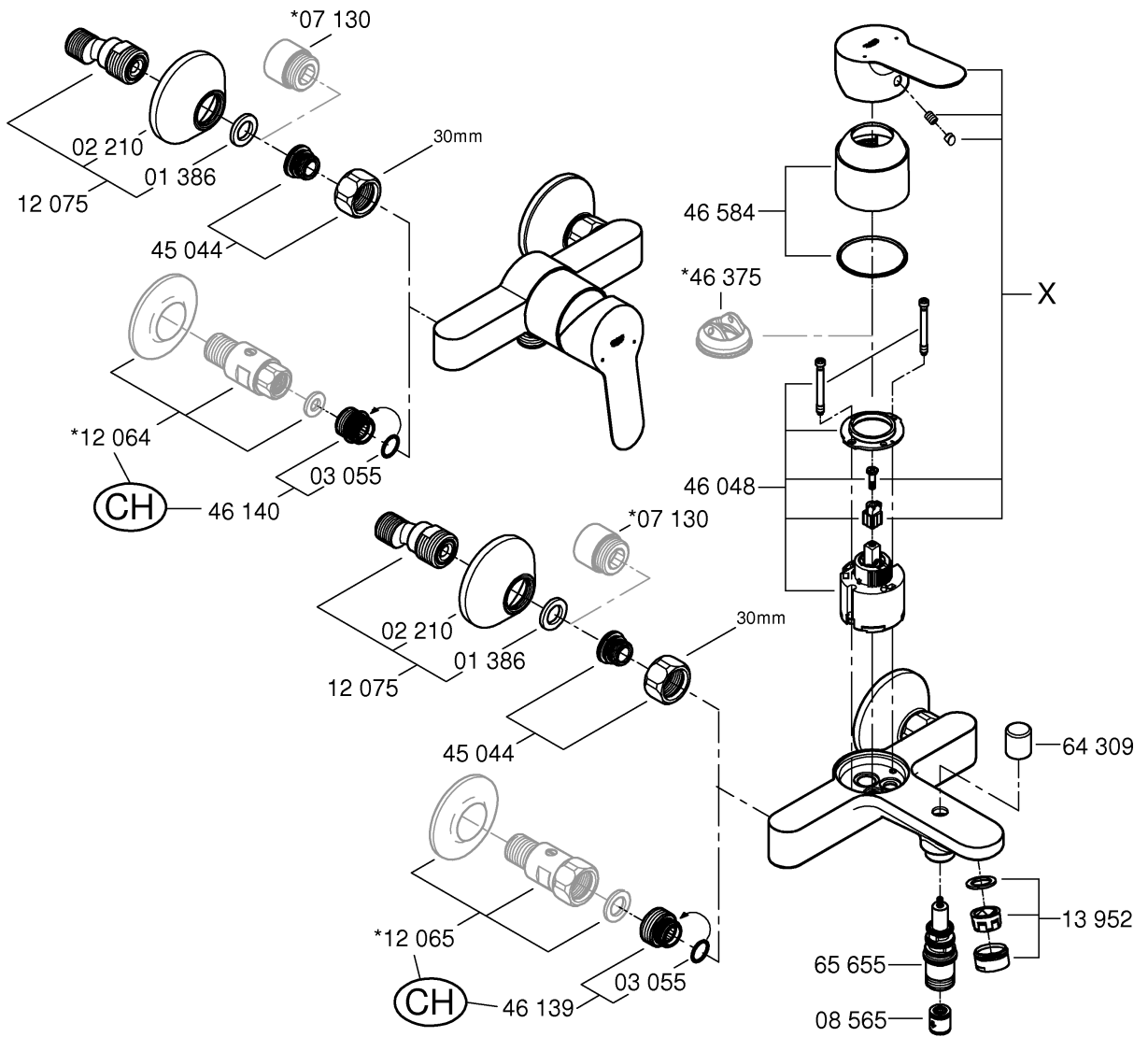
StartLoop



X=46 698

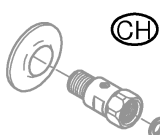

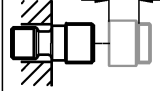



X=46 696



\* =



	*12 064	G <sup>1</sup> / <sub>2</sub>	*19 377	 30mm	*07 130	 +20
	*12 065	G <sup>3</sup> / <sub>4</sub>				



StartEdge

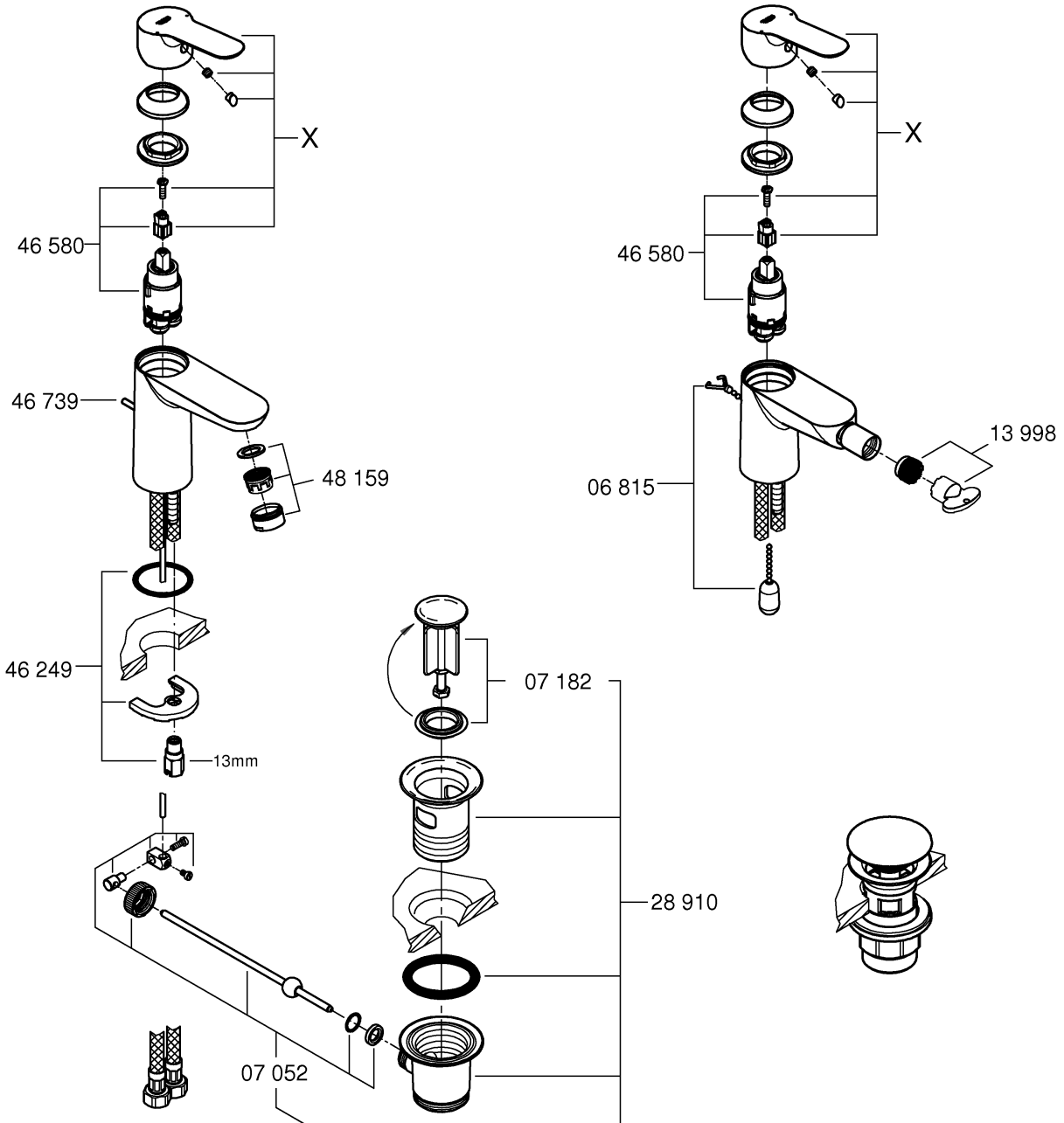


X=46 697

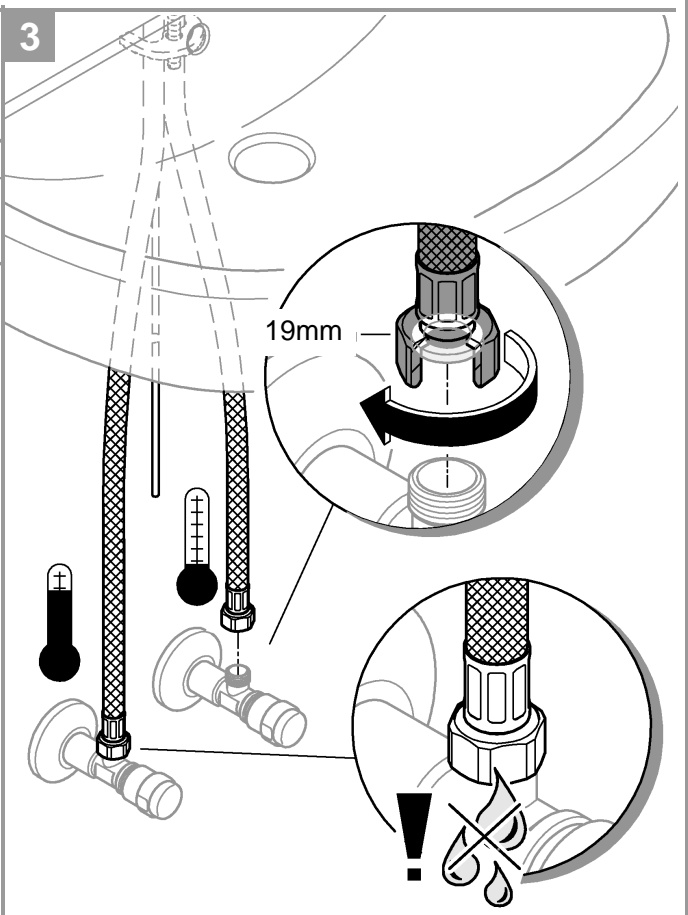
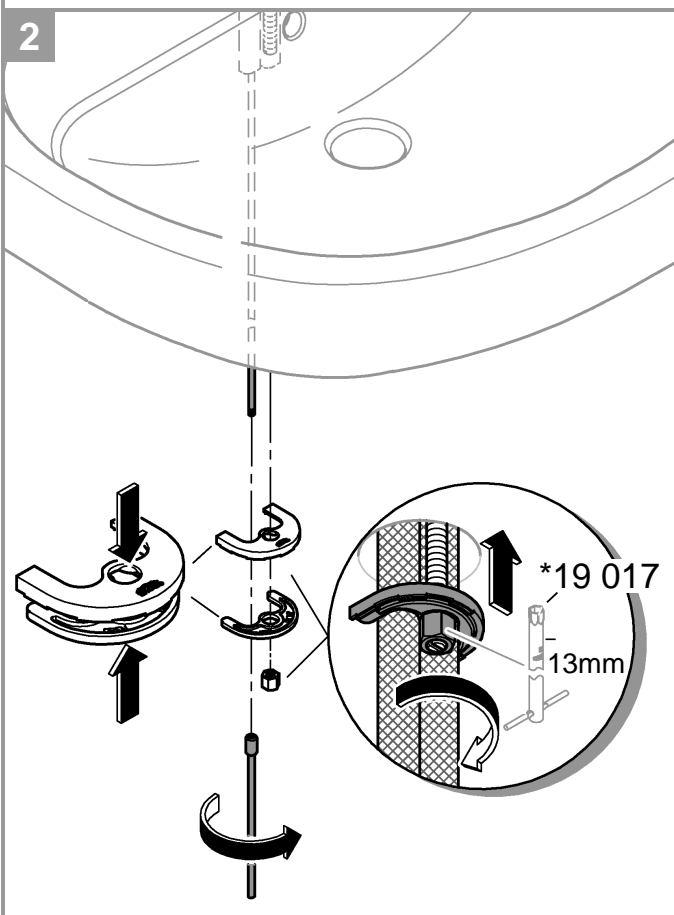
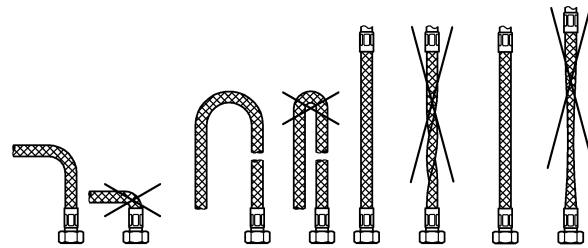
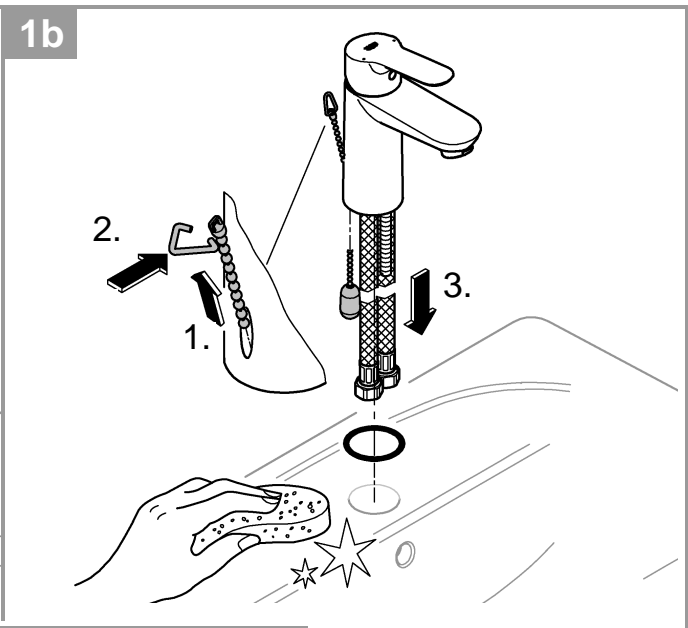
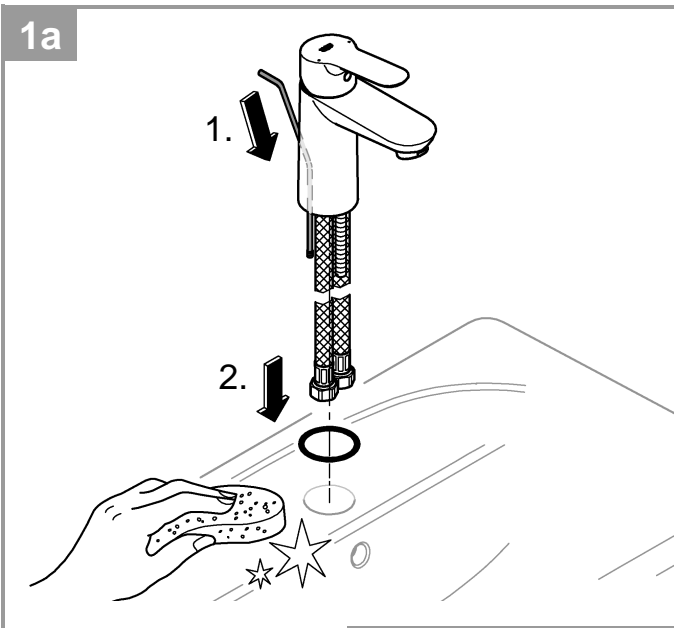
StartLoop

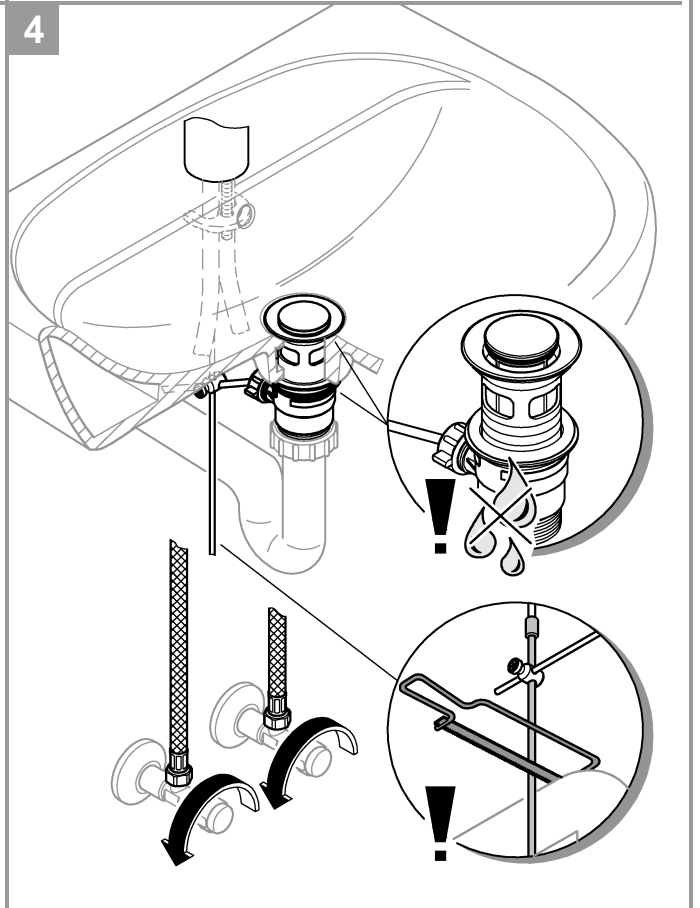
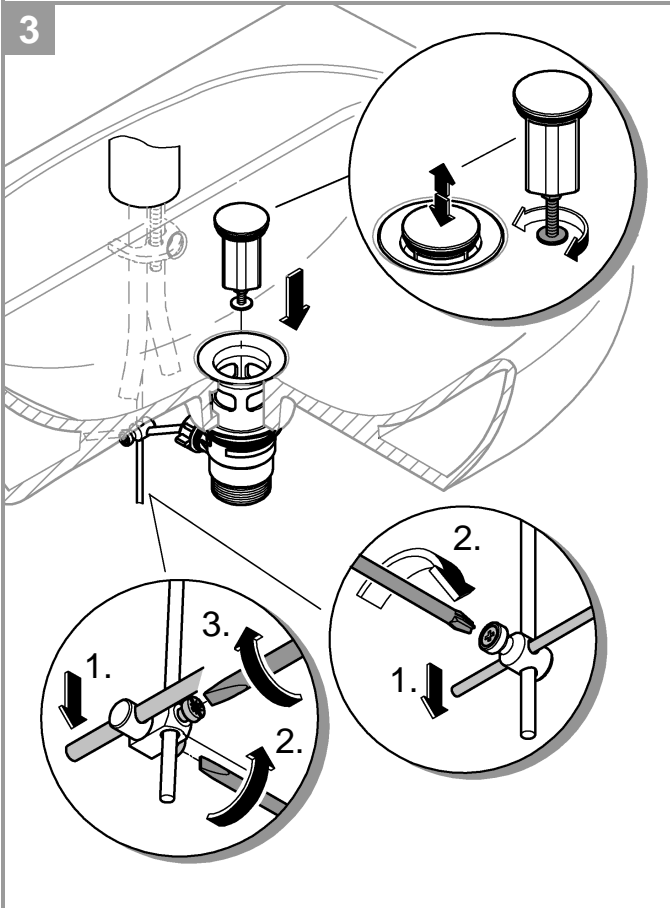
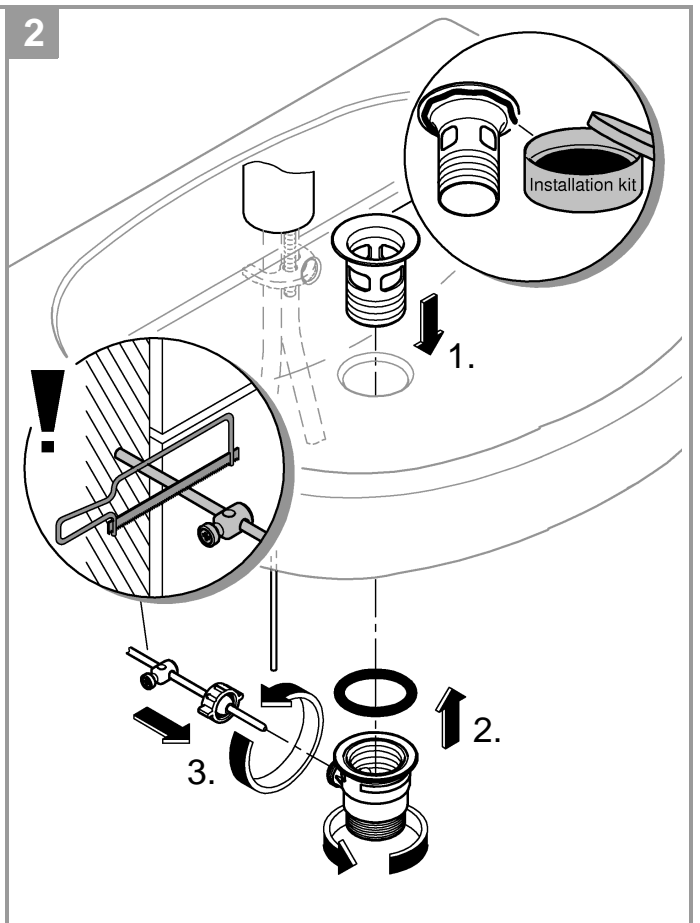
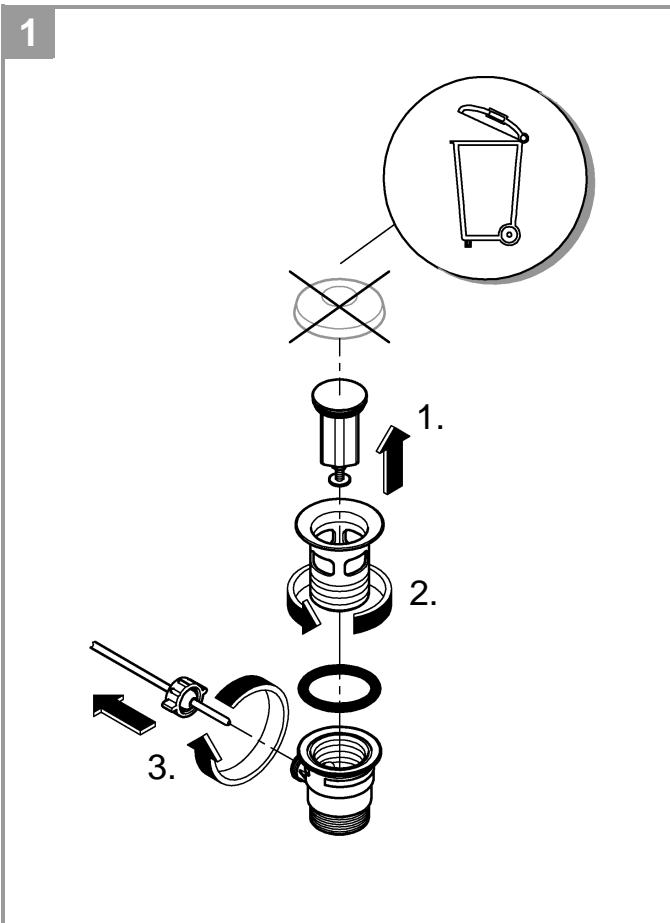


X=46 695



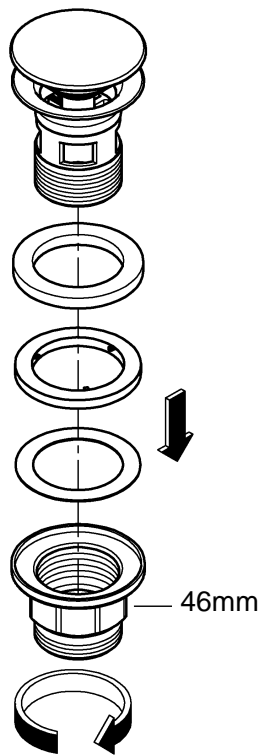
*46 375			07 052   180mm	*19 017	13mm
			*07 341   350mm		



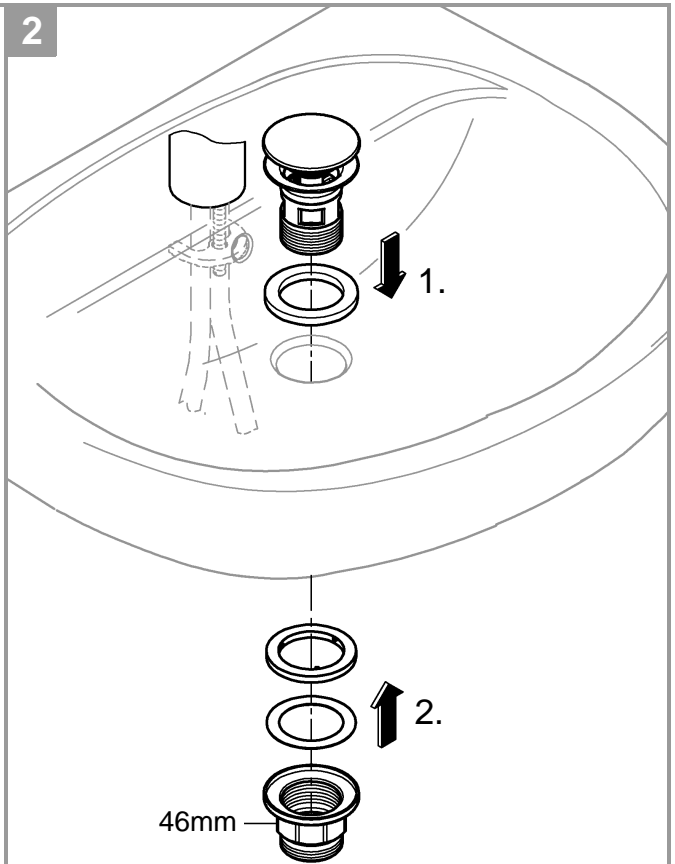




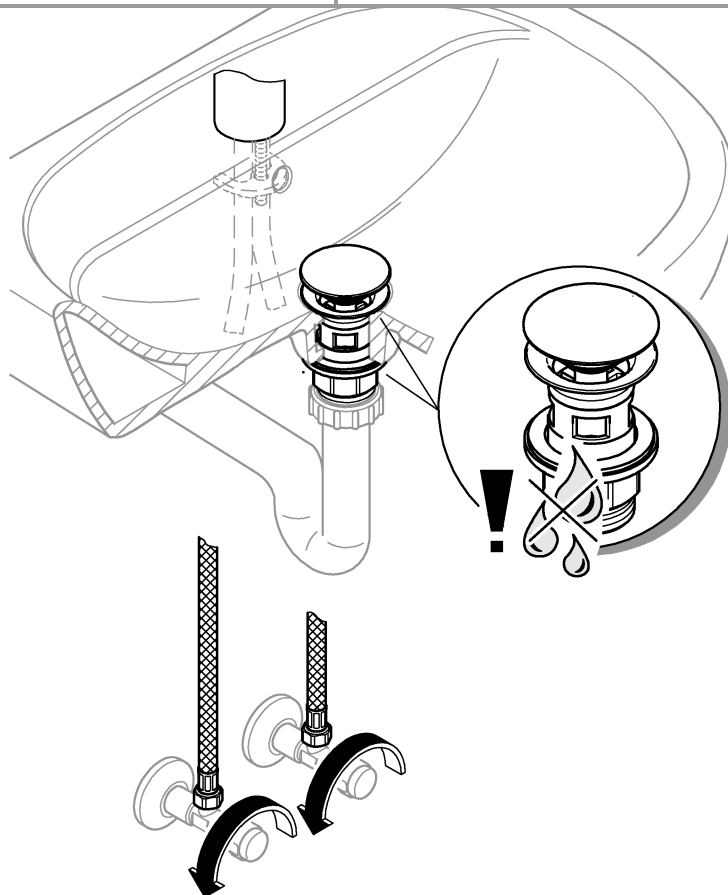
1



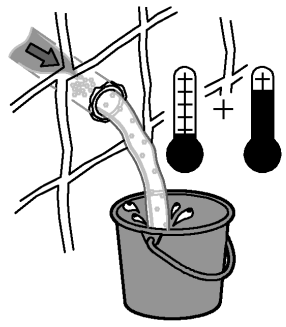
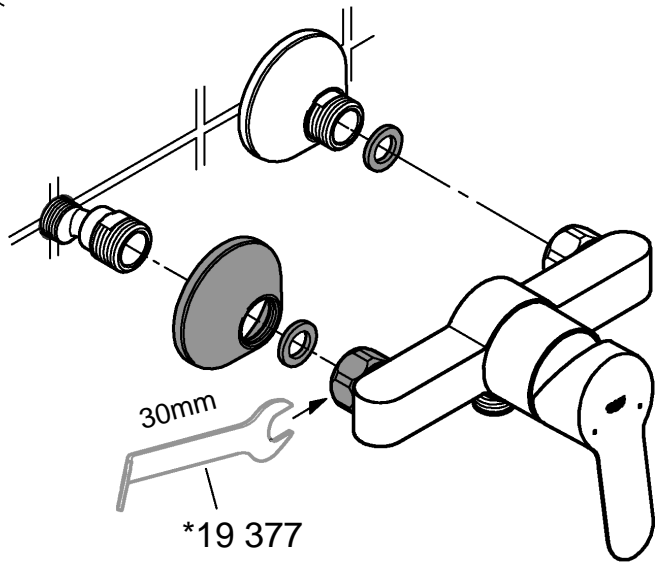
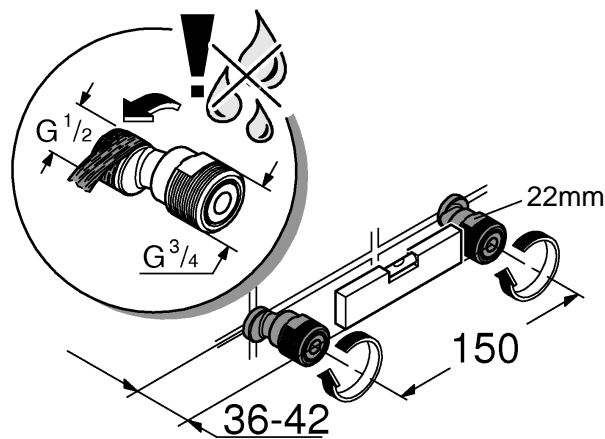
2



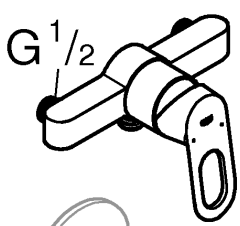
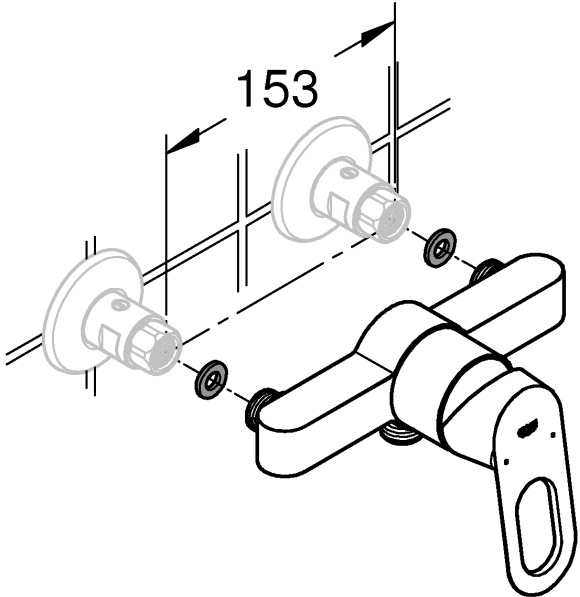
3



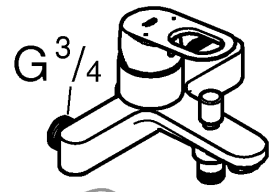




CH



\*12 064



\*12 065

