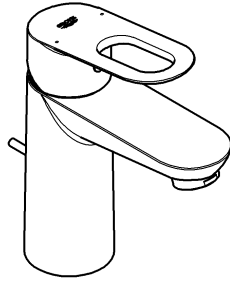
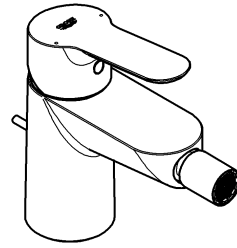


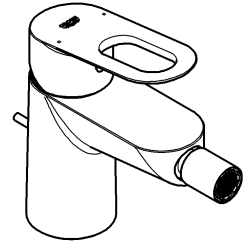
23 342
23 344
23 580



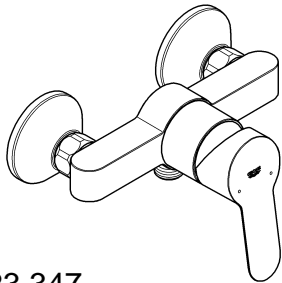
23 349
23 350
23 351
23 578



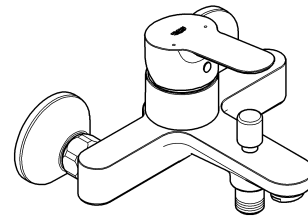
23 345



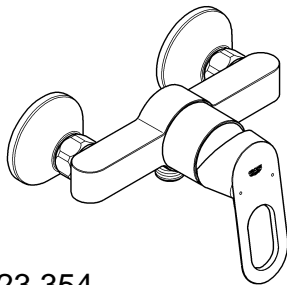
23 352
23 353



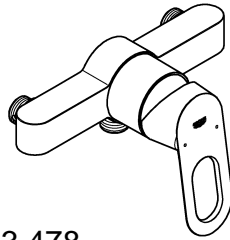
23 347



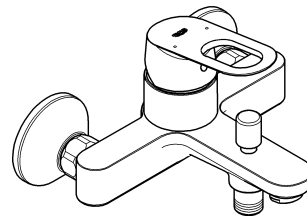
23 348



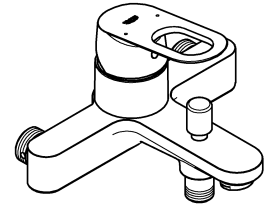
23 354



23 478



23 355



23 479



.....1



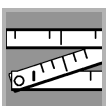
..3 - 4



.....9



.....11



.....2



..5 - 8



.....10



	23 342 23 349	23 344 23 351	23 345 23 352	23 347 23 354	23 348 23 355	23 350	23 353	23 478	23 479	23 580 23 578	
	X	X				X				X	
			X				X				
				X				X			
					X				X		
	X		X								
										X	
						X	X				
	X	X	X			X	X			X	
				X	X						

DIN 1988

DIN EN 806

bar

°C

max. 0,5

max. 10

5

1

max. 70°

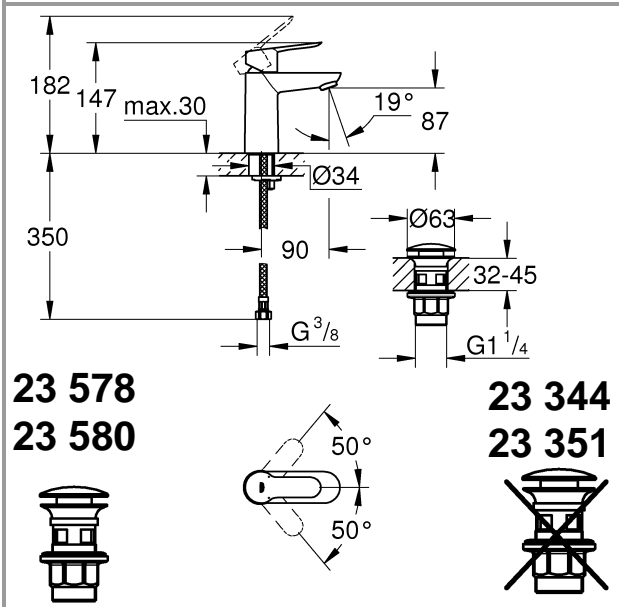
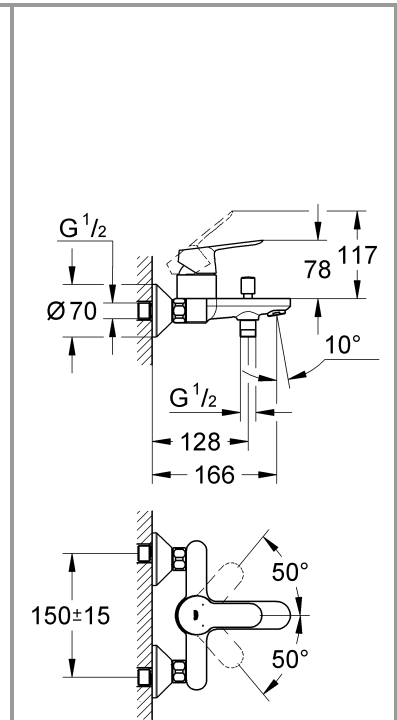
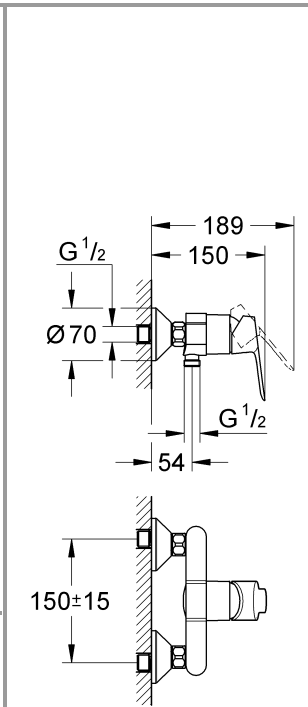
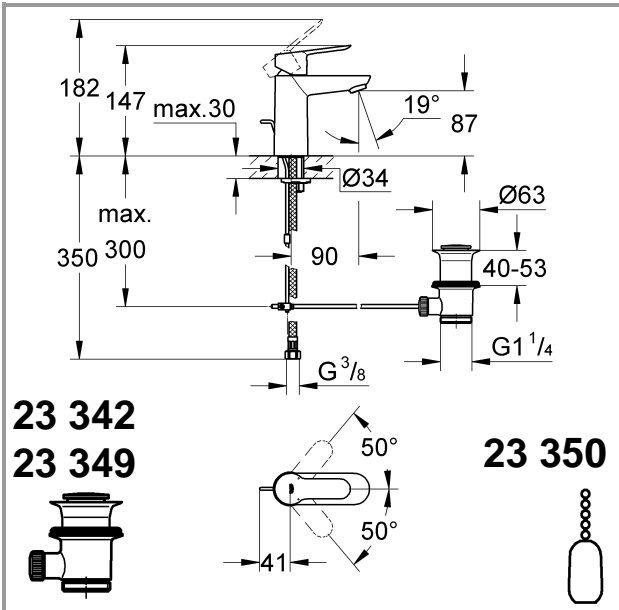
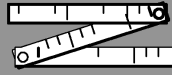
60°

2,5mm
3mm

Installation kit

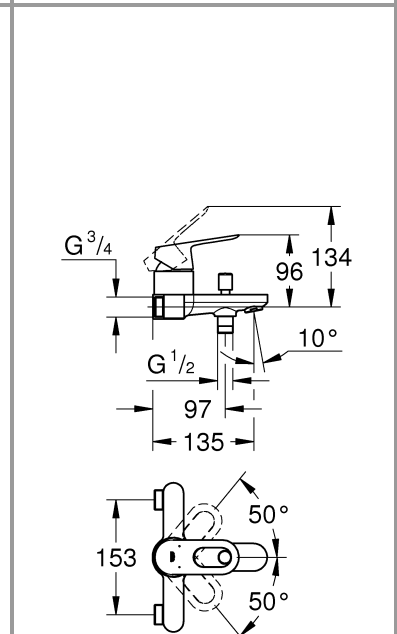
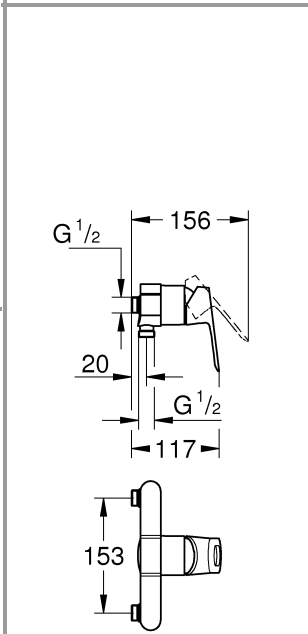
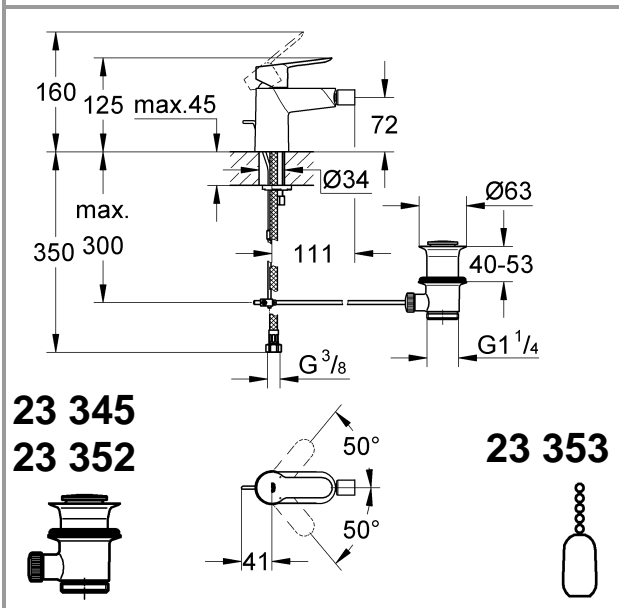
*19 377
30mm

*19 017
13mm



23 347
23 354

23 348
23 355





StartEdge

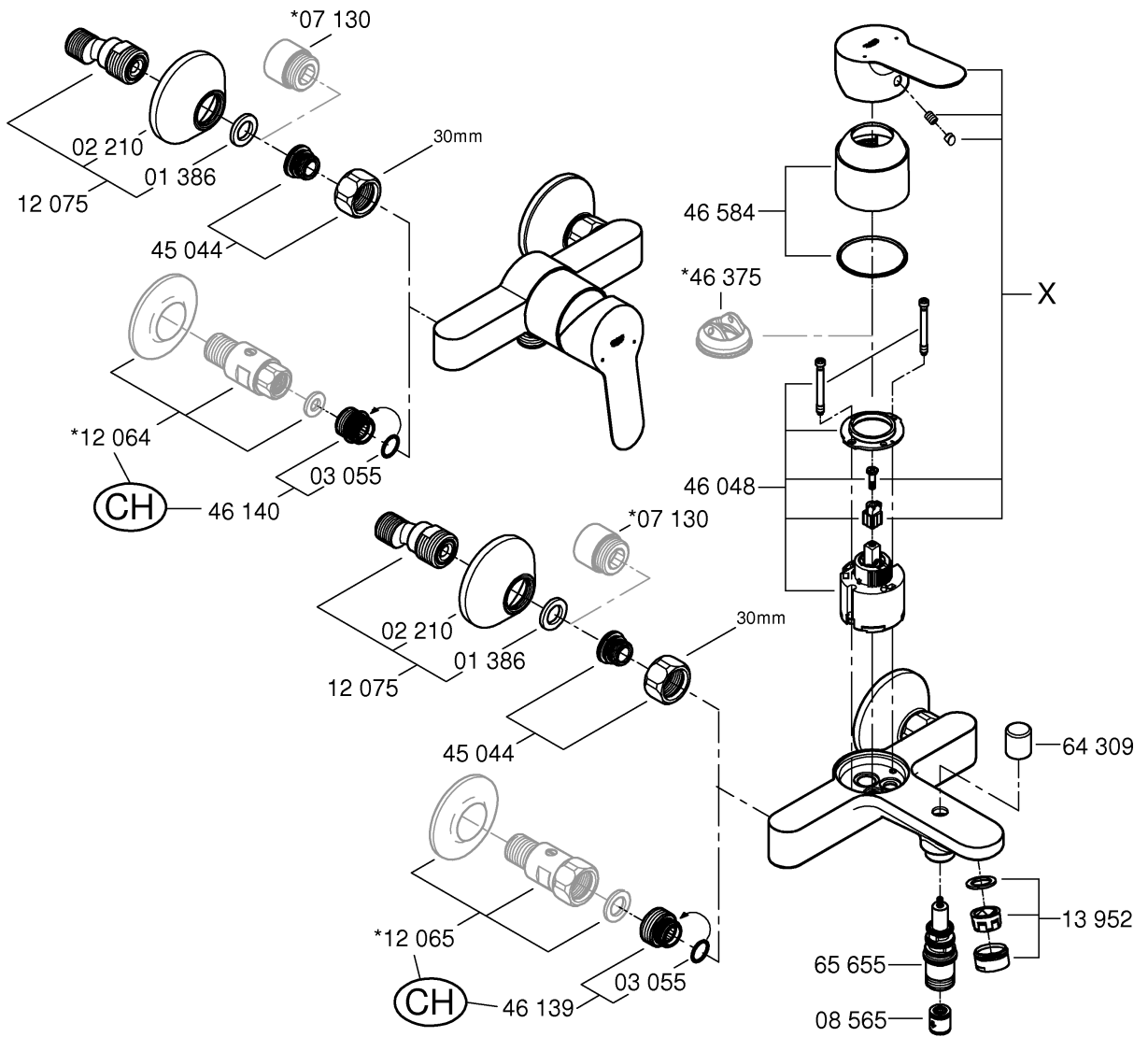
StartLoop



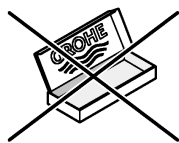
X=46 698

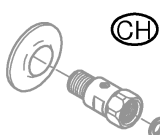

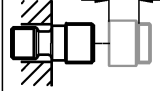



X=46 696



* =



	*12 064	G ¹ / ₂	*19 377		*07 130	
	*12 065	G ³ / ₄				



StartEdge

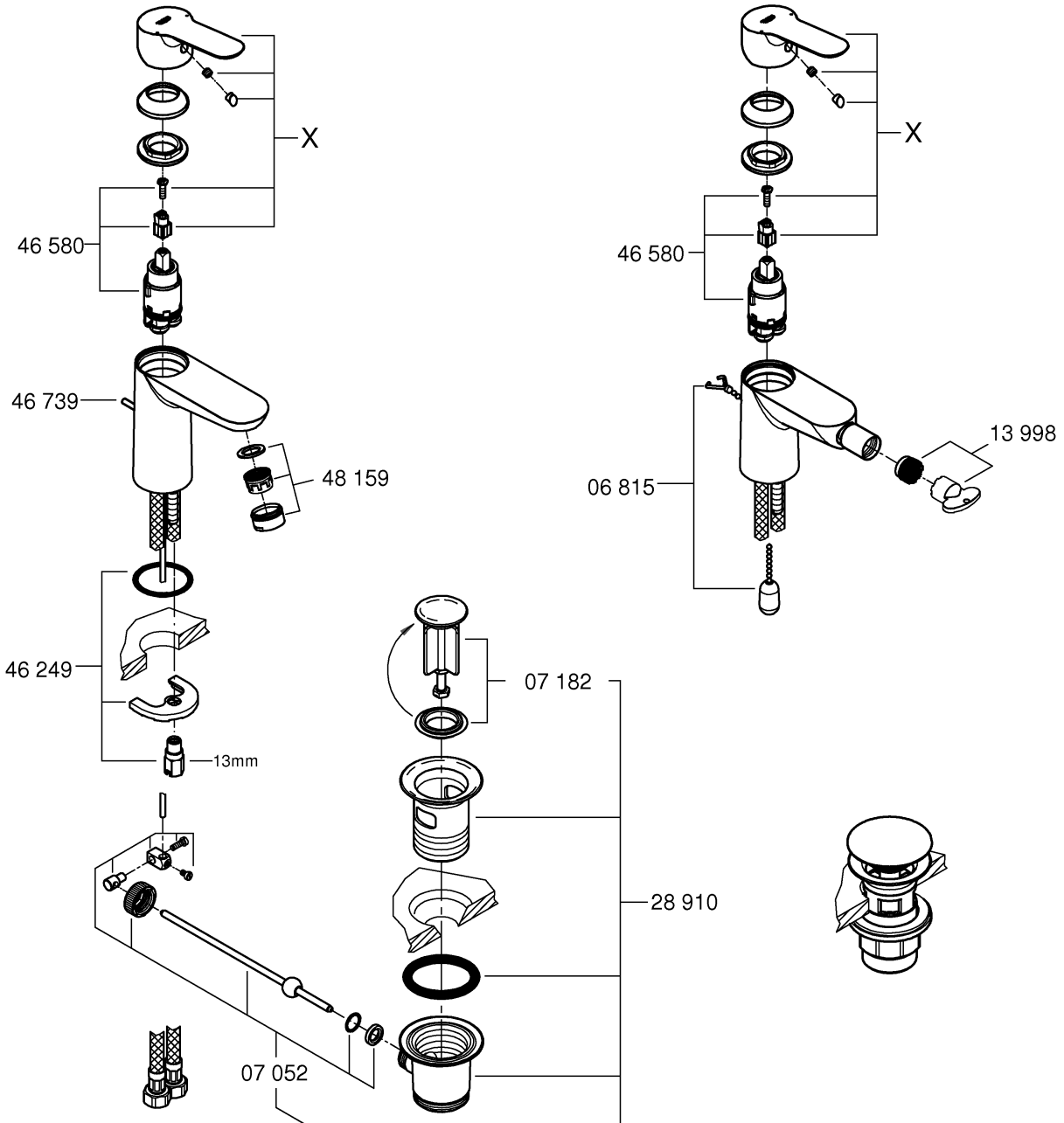


X=46 697

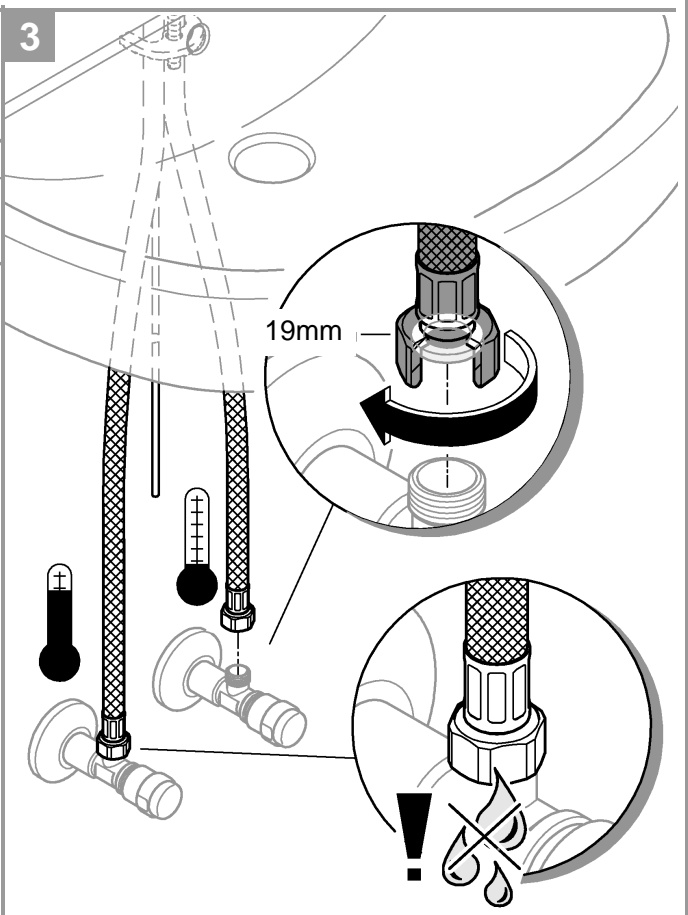
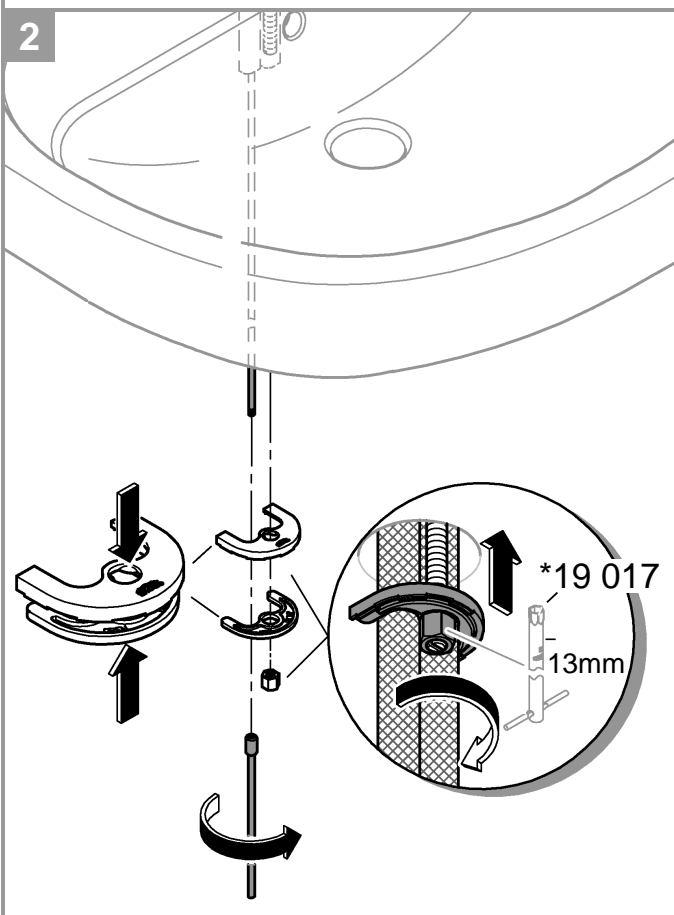
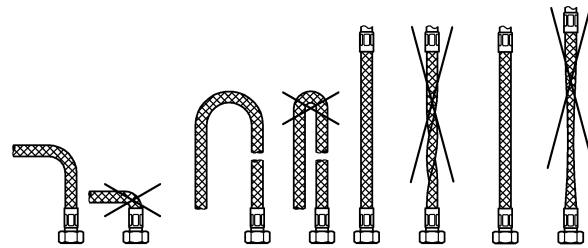
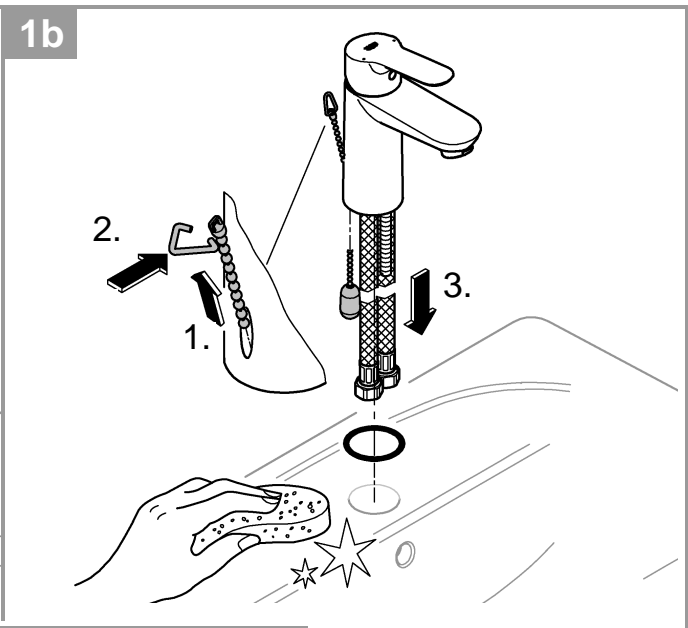
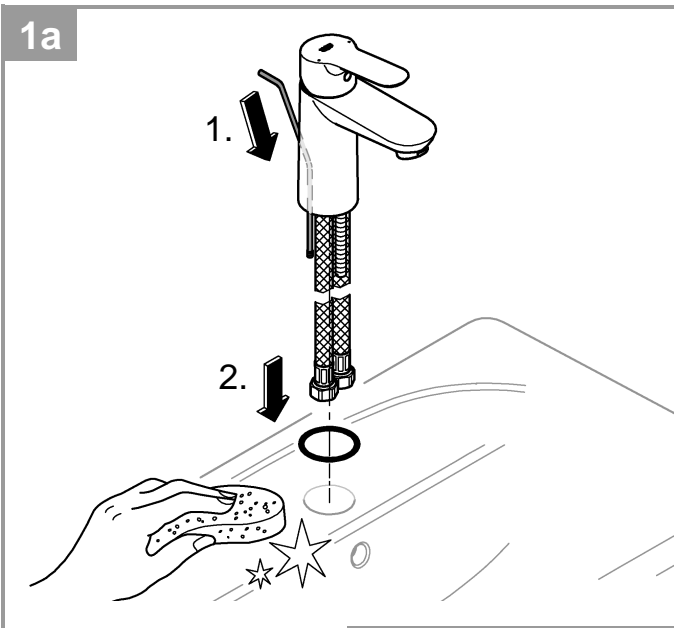
StartLoop

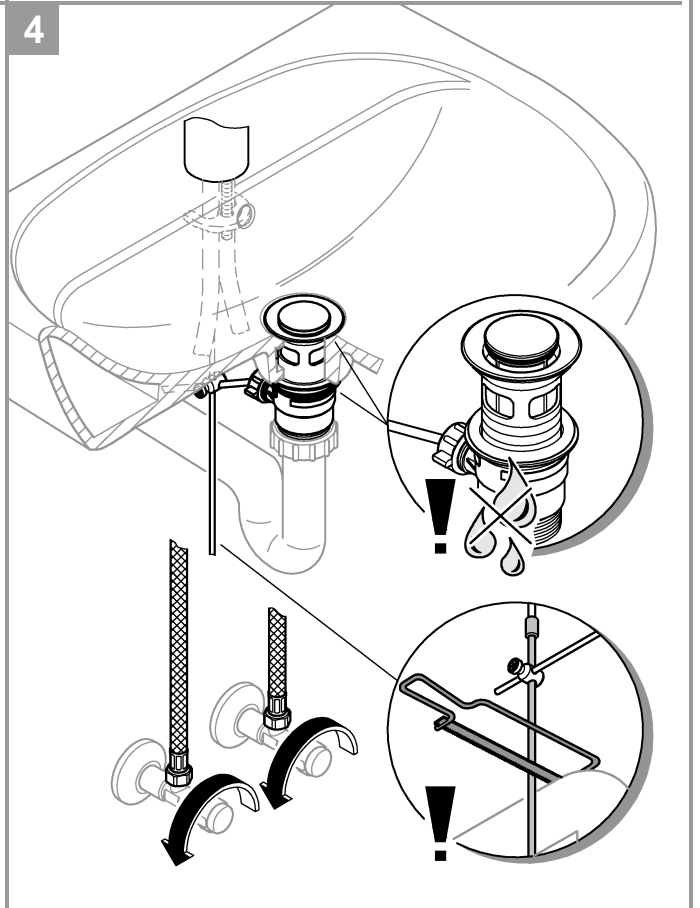
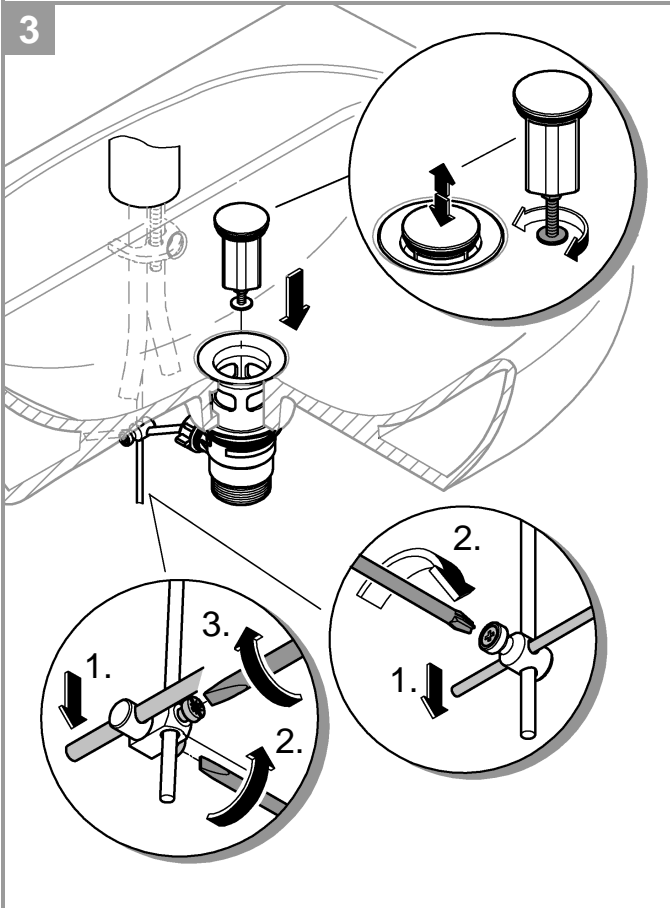
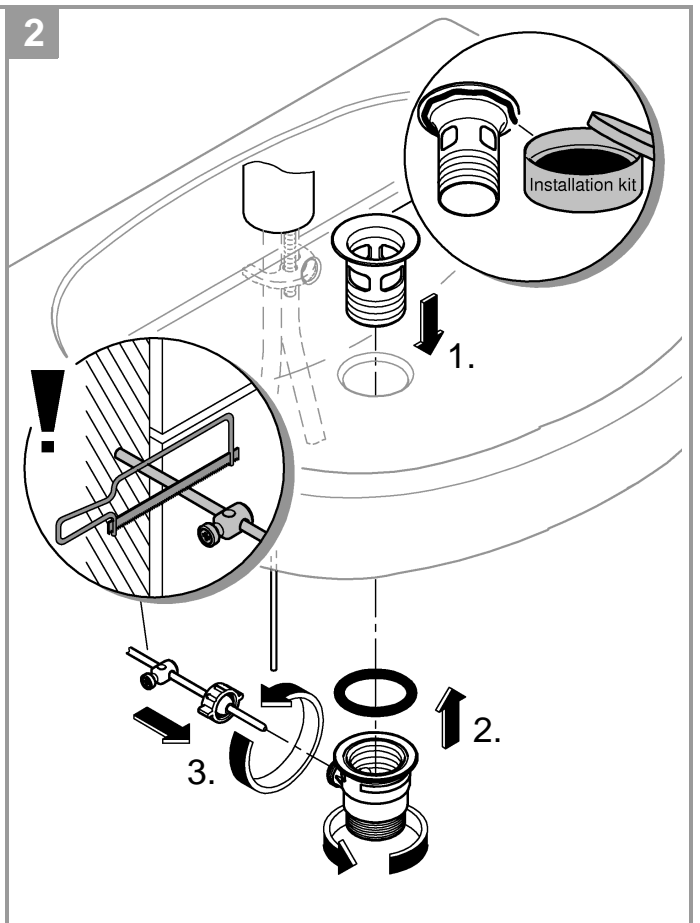
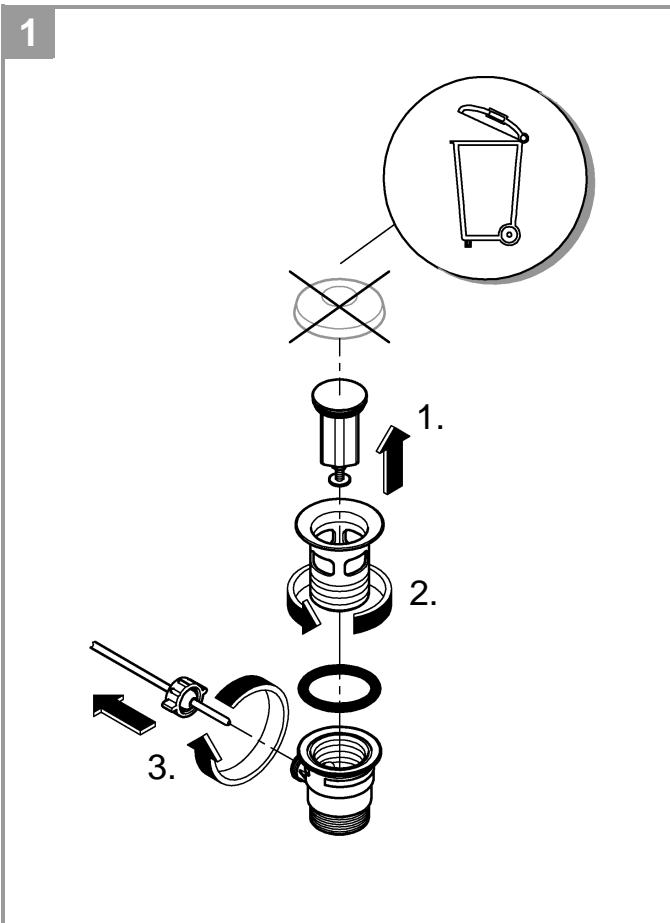


X=46 695



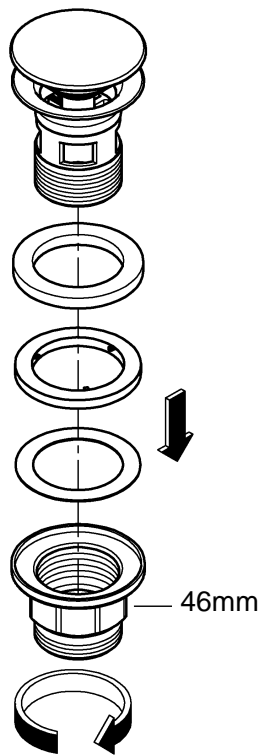
*46 375			07 052 180mm	*19 017	13mm
			*07 341 350mm		



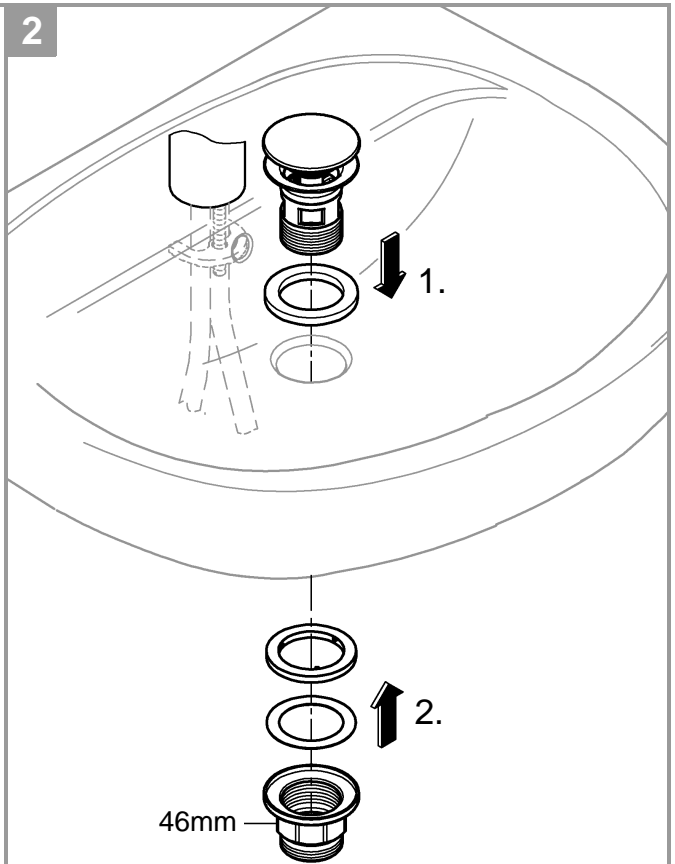




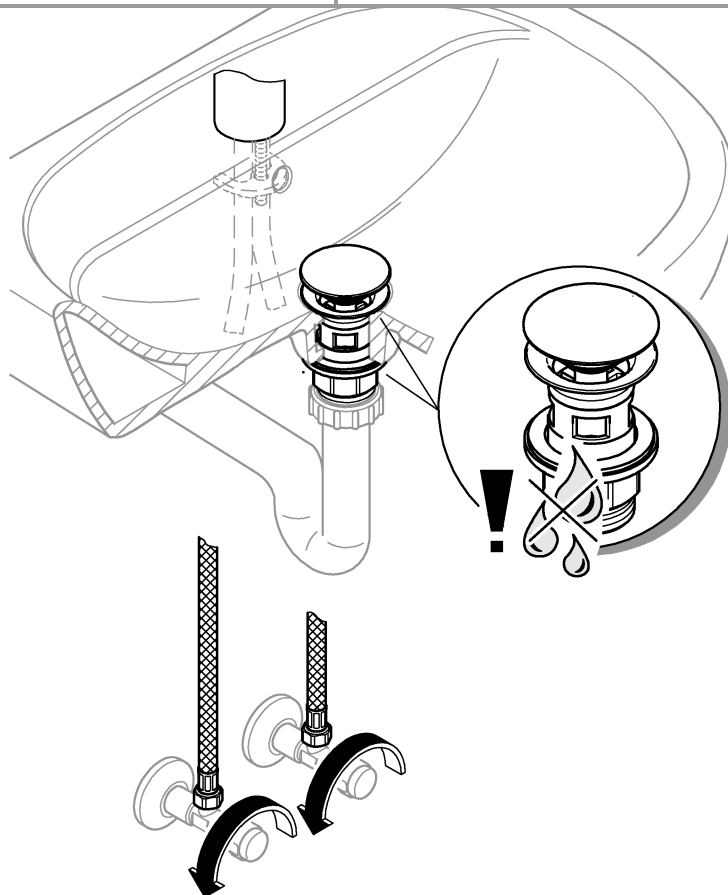
1

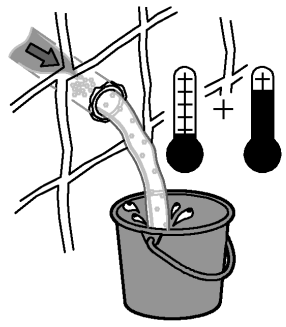
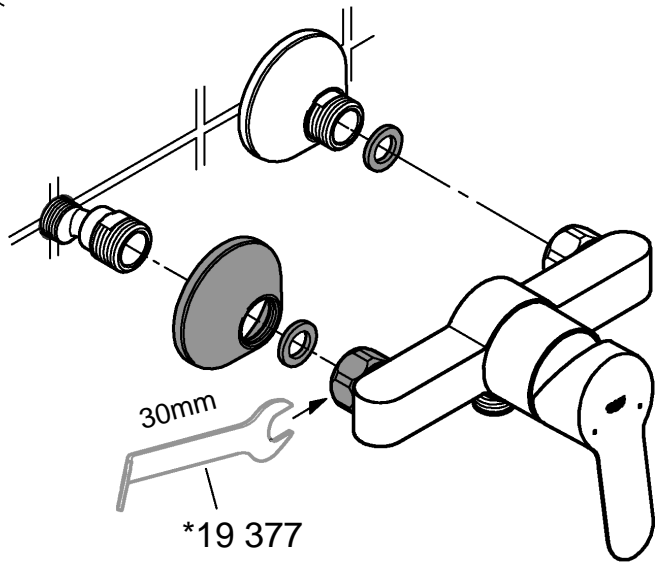
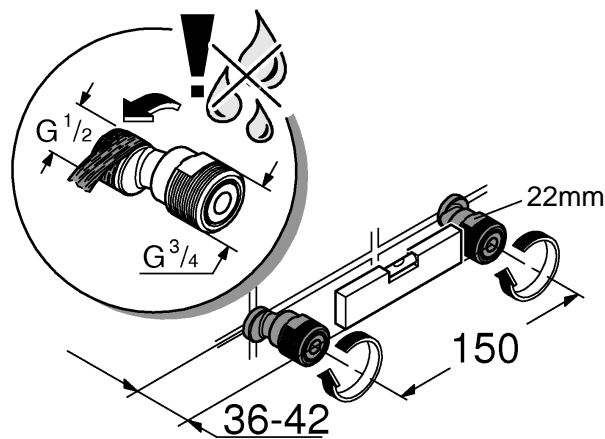


2

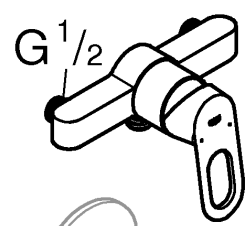
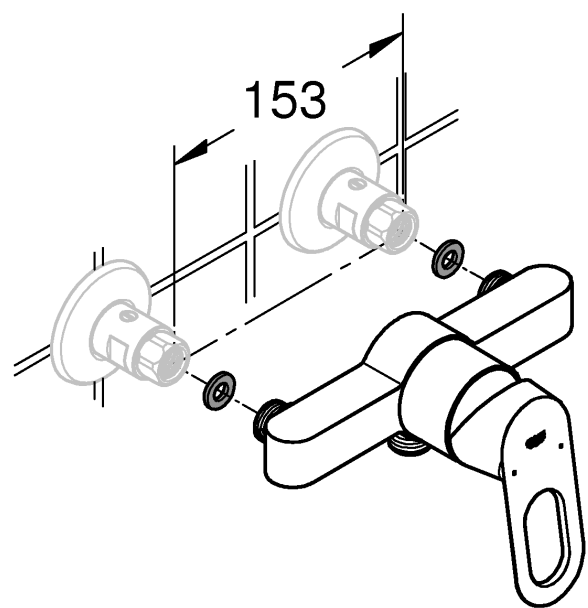


3

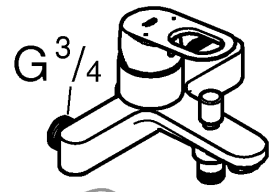




CH



*12 064



*12 065

