

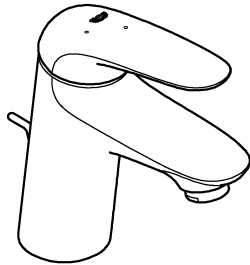
WAVE
DESIGN + ENGINEERING
GROHE GERMANY

99.0512.031/ÄM 234270/10.15

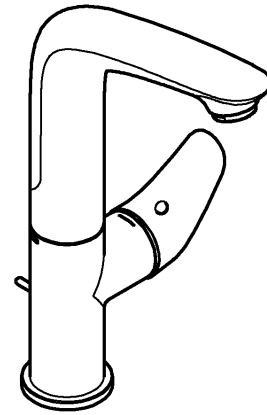
Pure Freude an Wasser



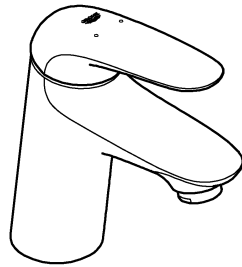
23 581
32 284



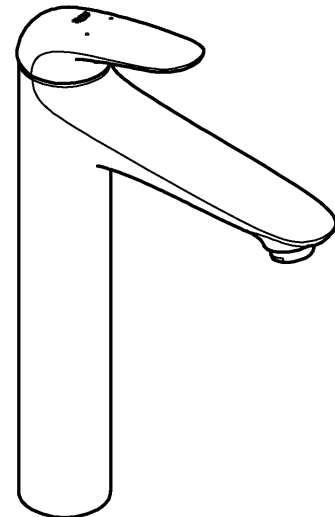
23 584



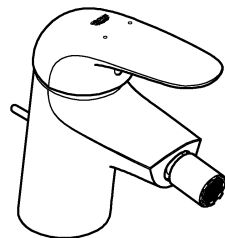
23 582
23 583



23 585



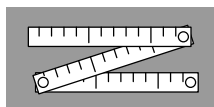
32 288



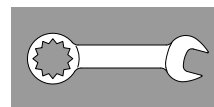
1



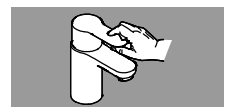
2



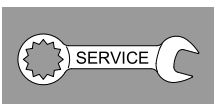
3 - 5



6



7






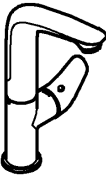
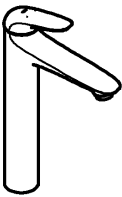



8




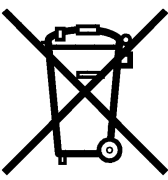


9






	23 581	23 582	23 583	23 584	23 585	32 284	32 288
	X	X	X			X	
							X
				X			
					X		
	X			X		X	X
		X	X		X		
	X	X	X	X	X	X	X




DIN 1988
DIN EN 806



bar

max. 10




5 1

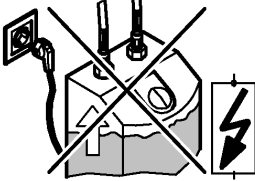




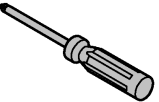

°C

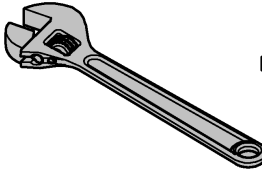
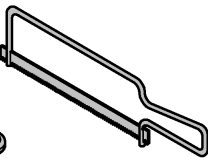
max. 70°


60°




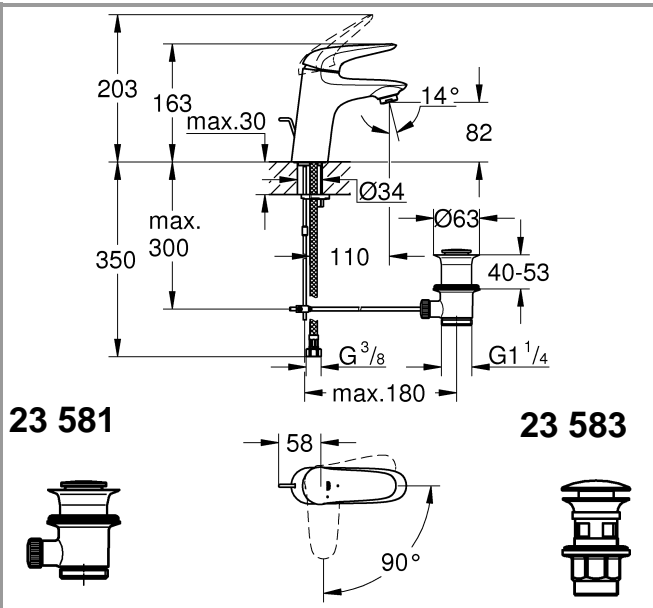
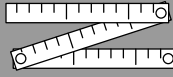





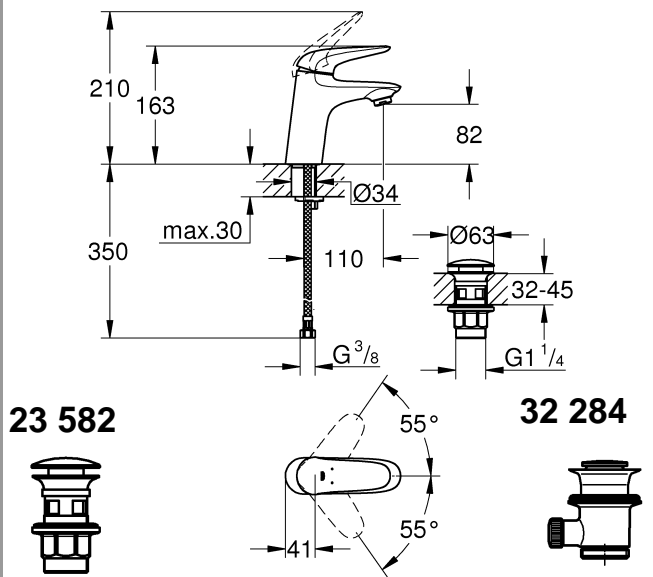
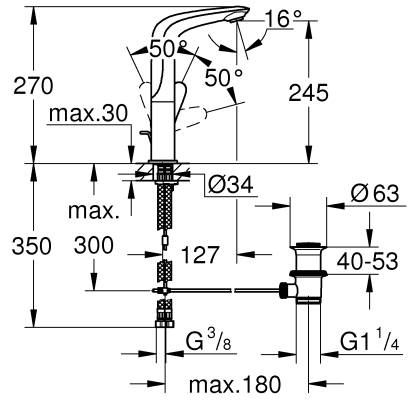
13mm
*19 017



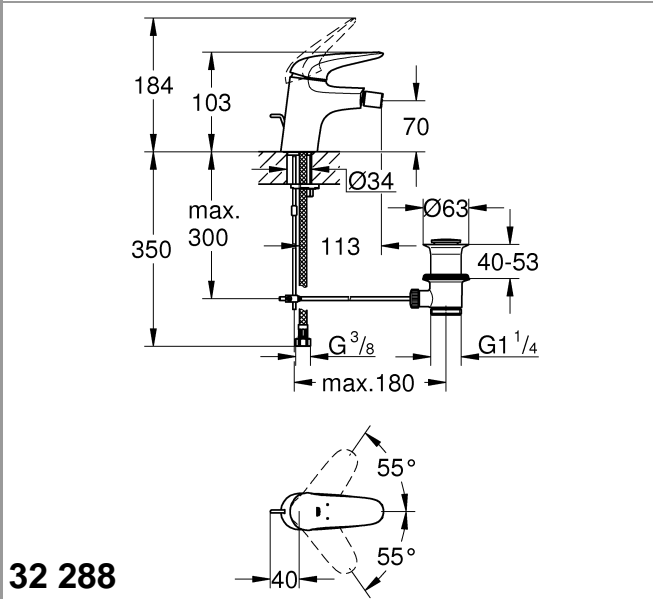
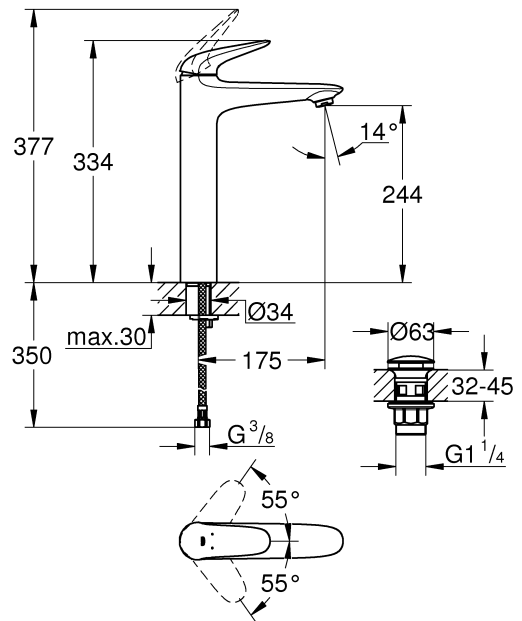
32mm
*19 332

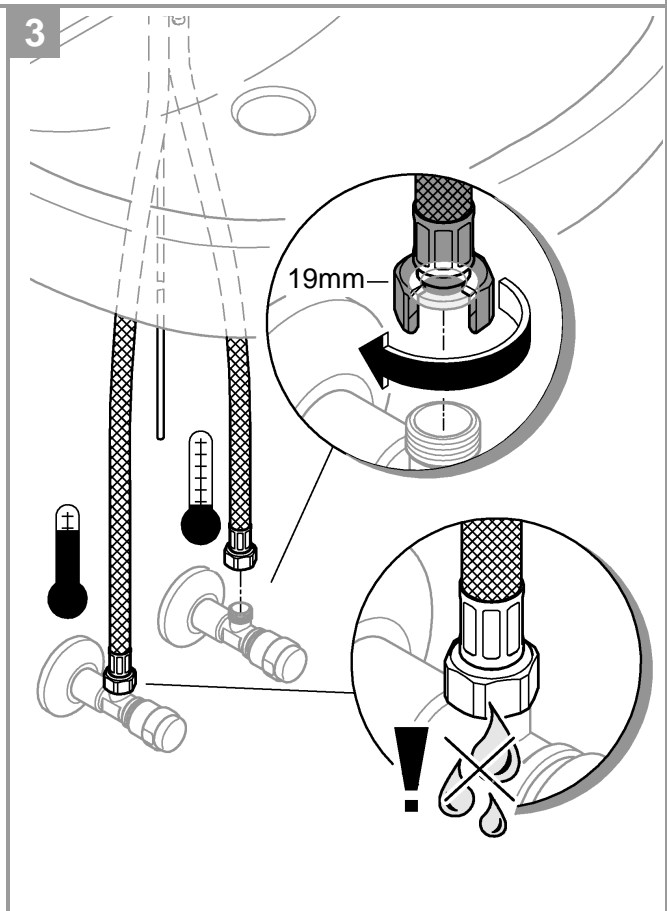
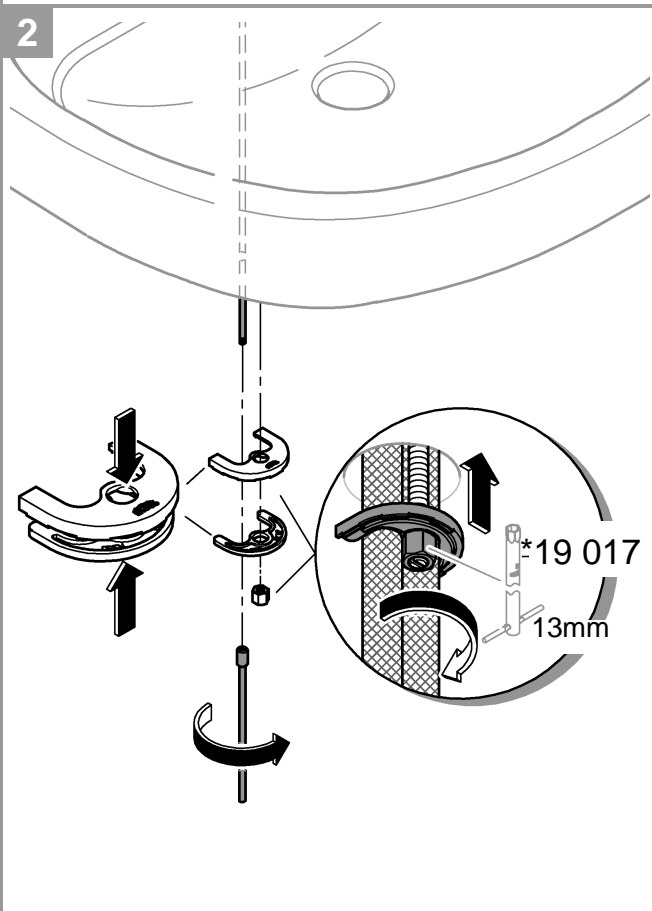
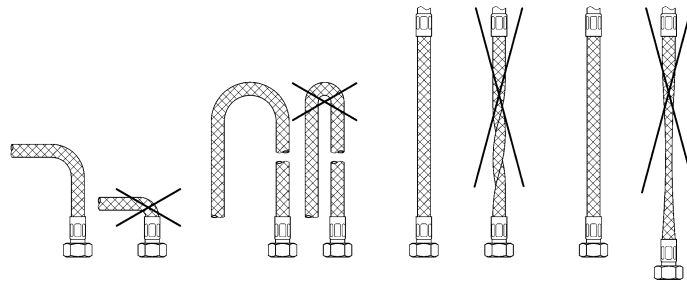
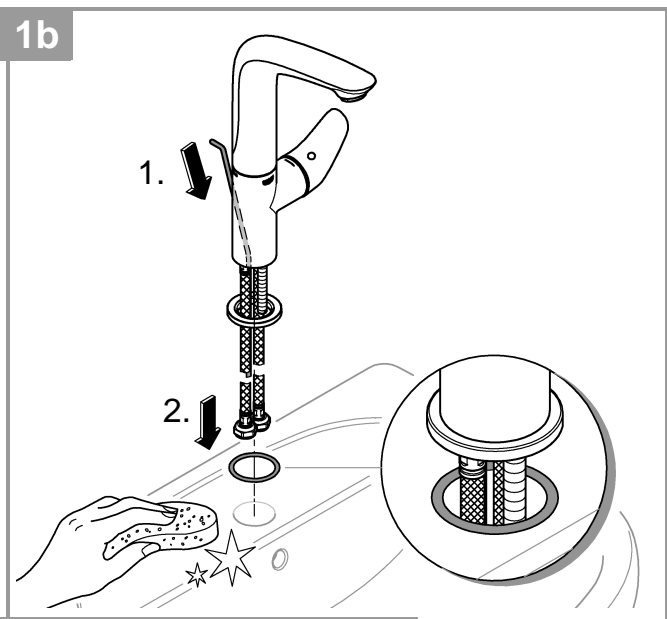
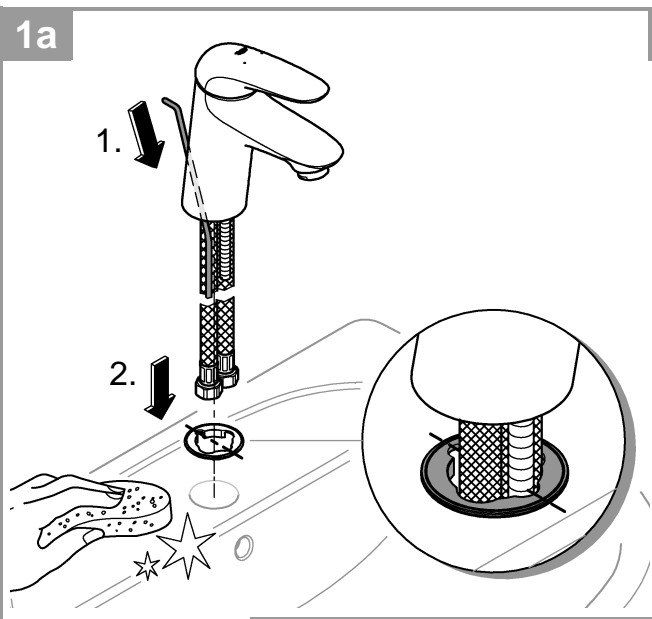


23 584



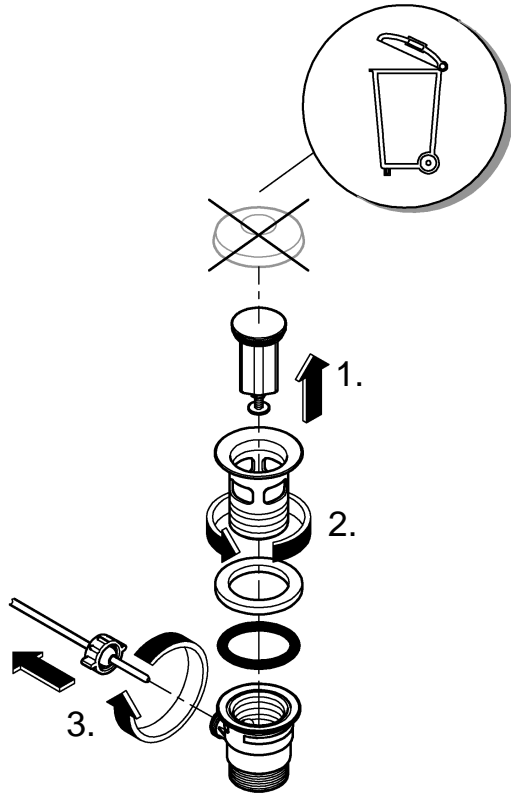
23 585



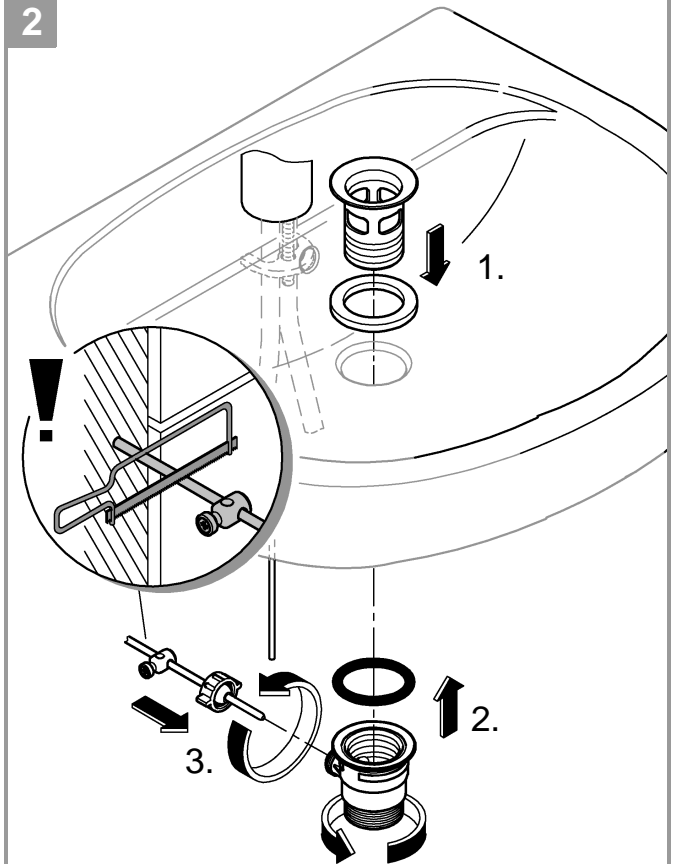




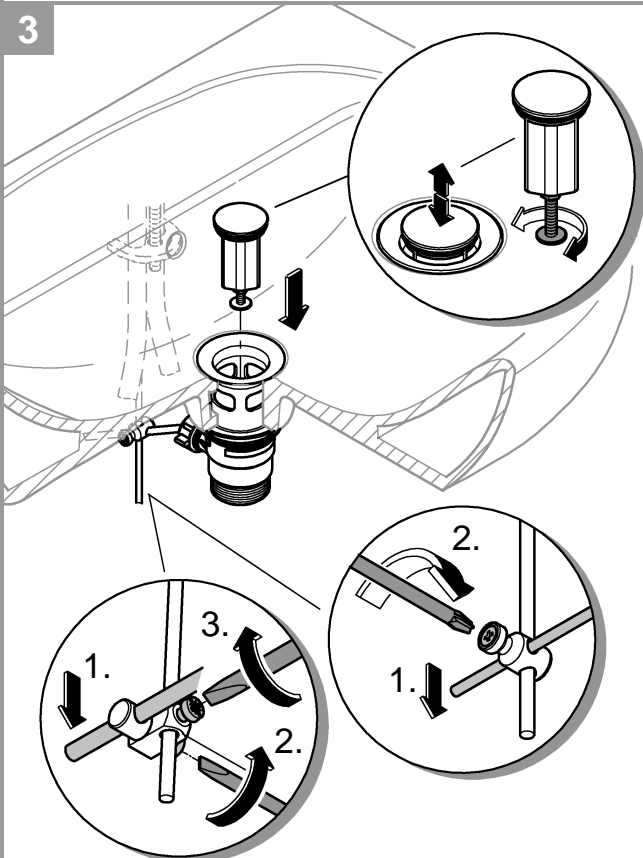
1



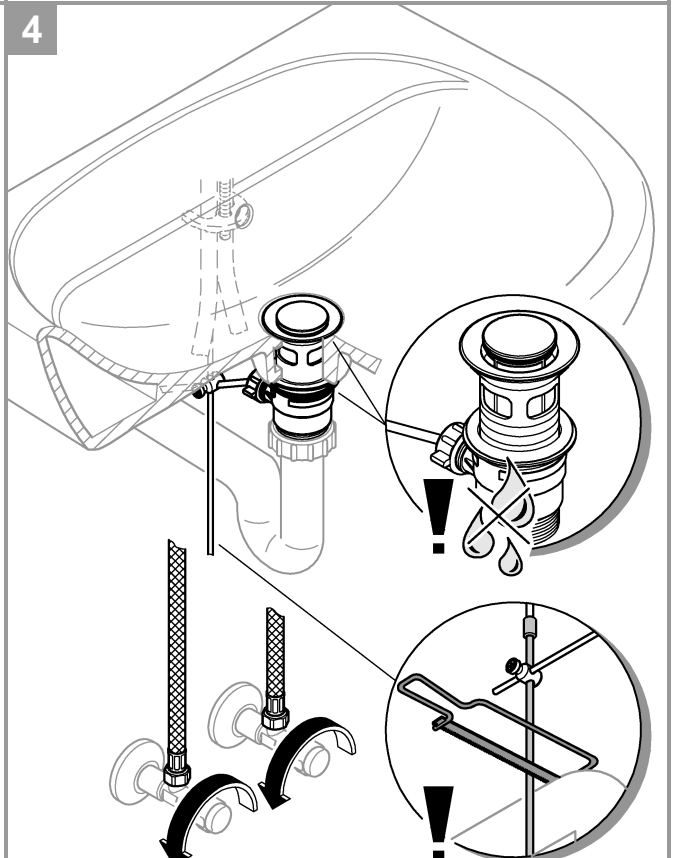
2



3

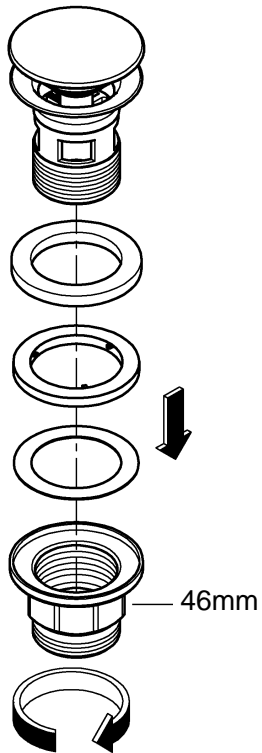


4

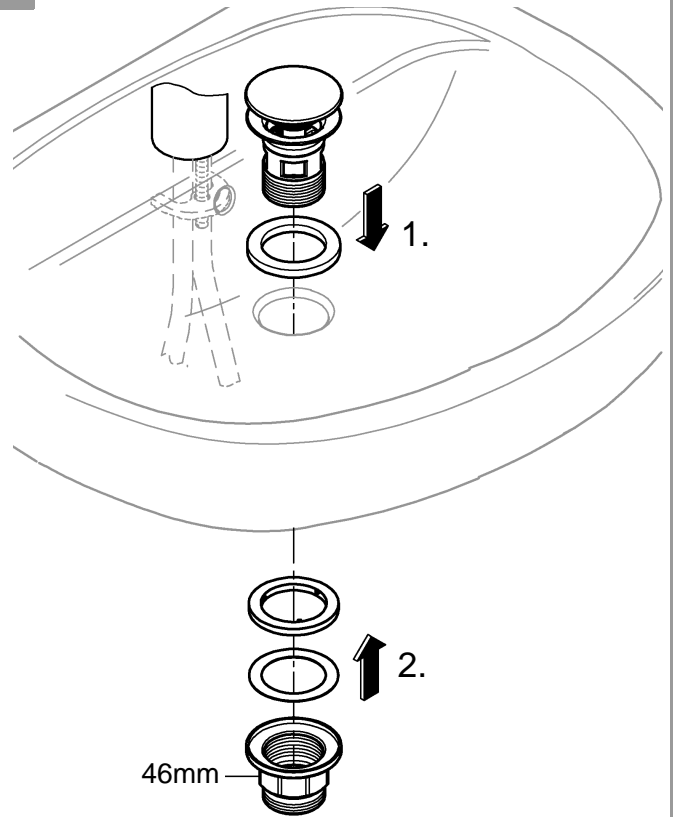




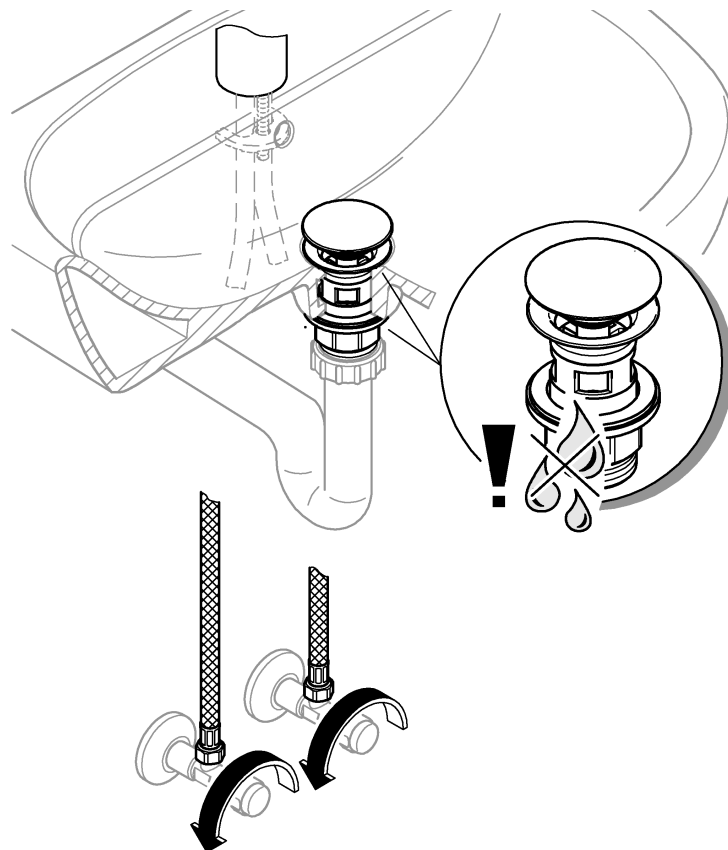
1

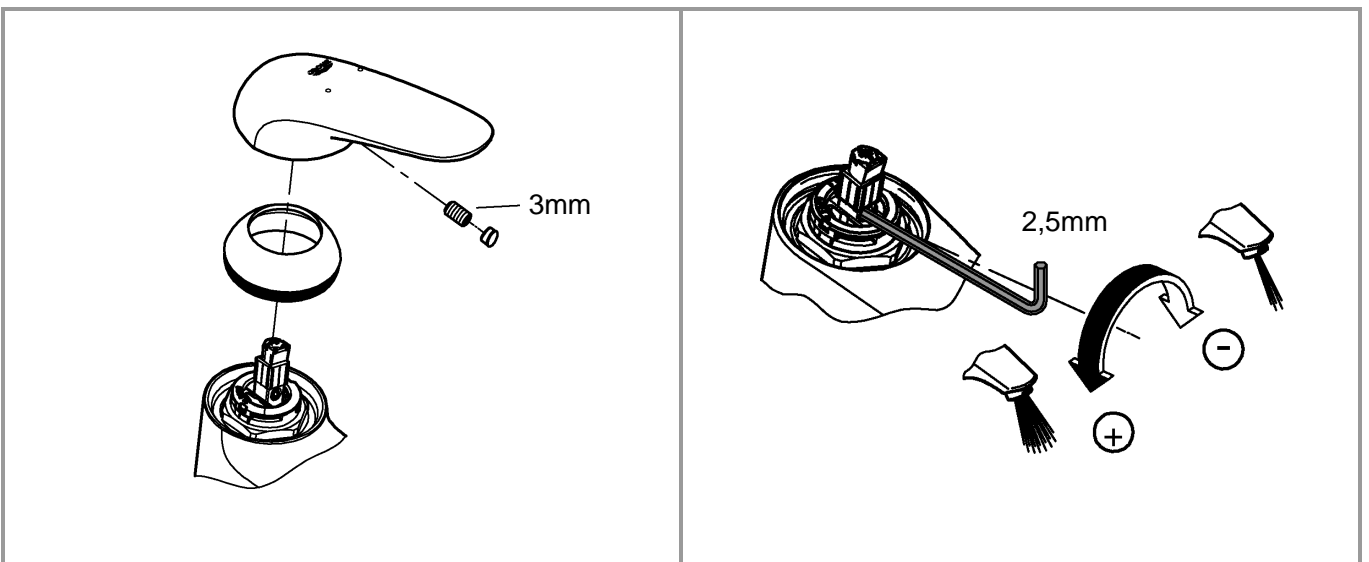
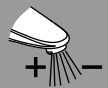
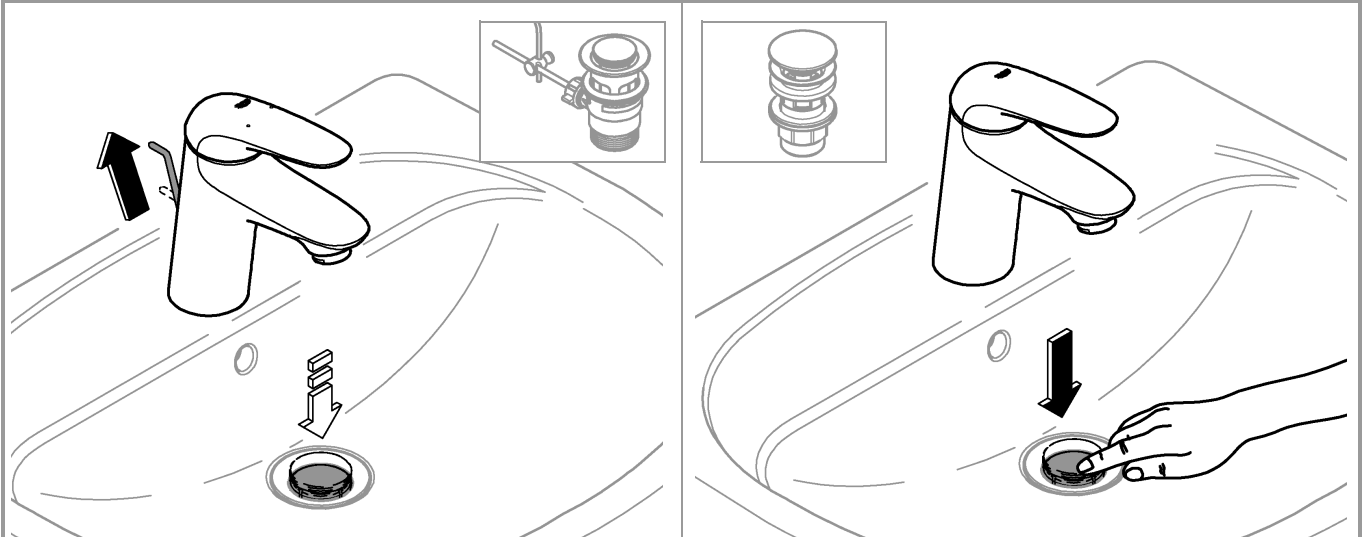
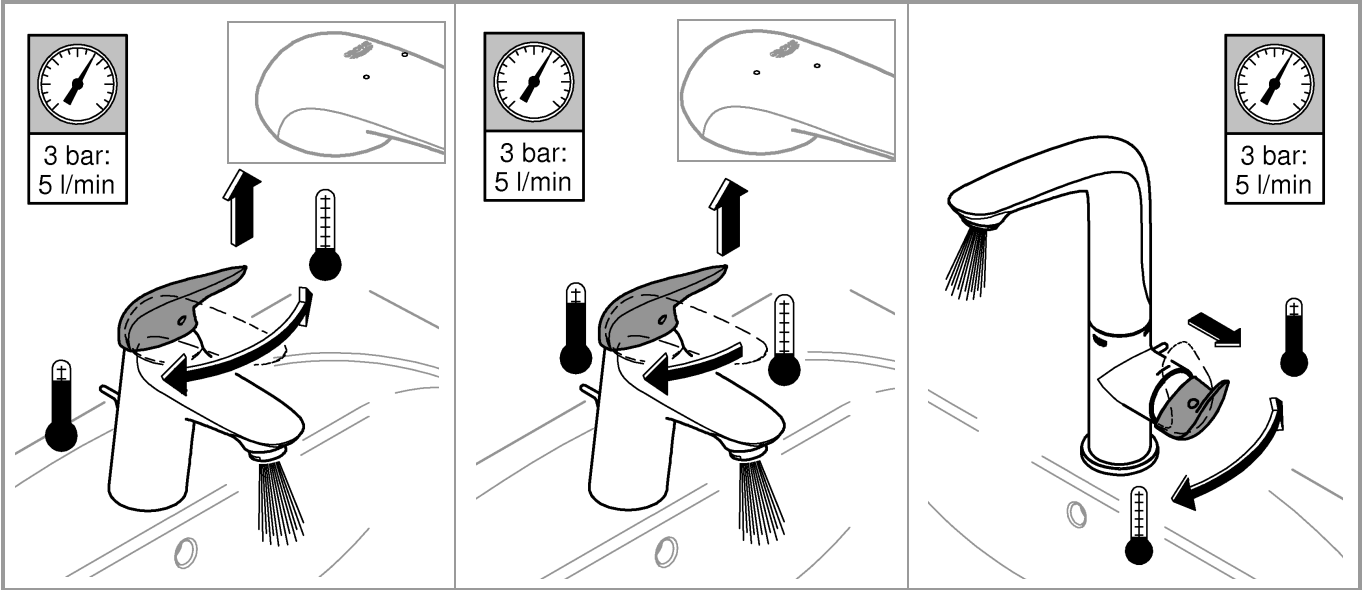
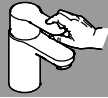


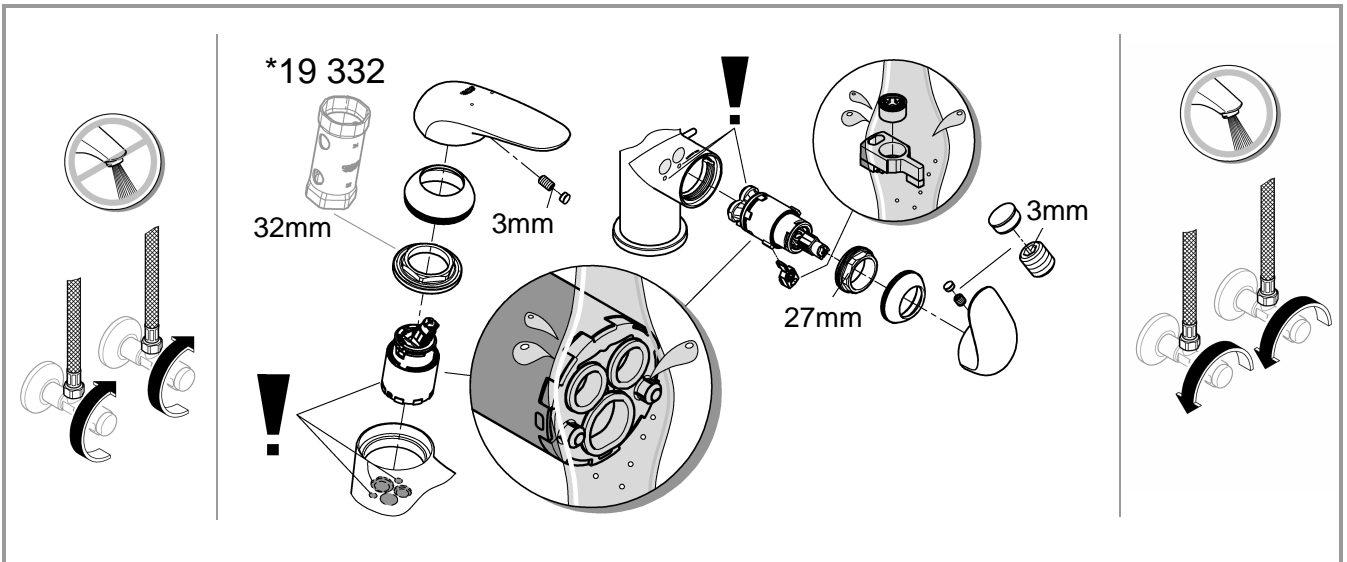
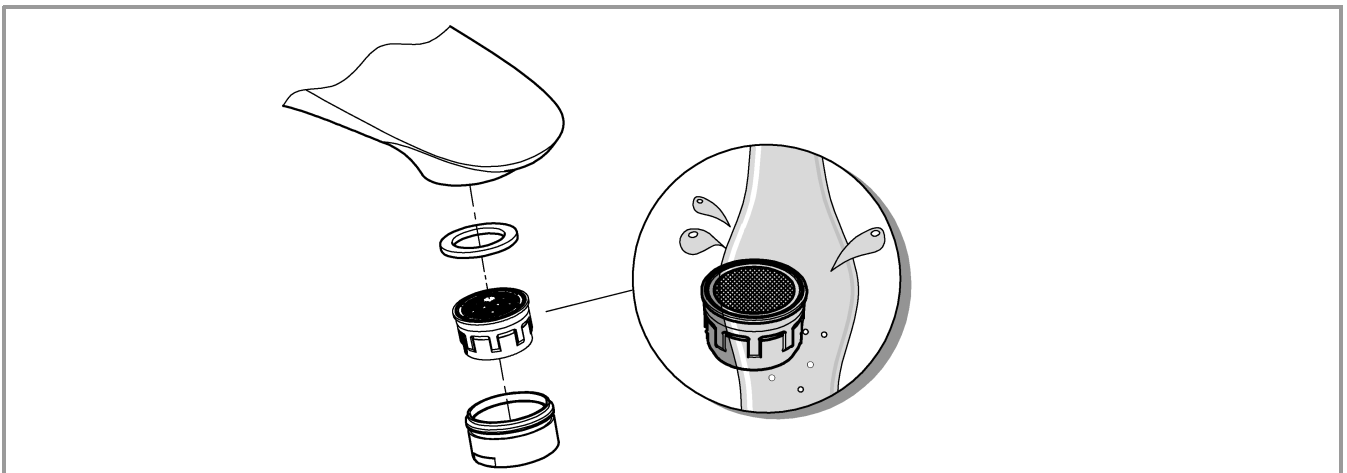
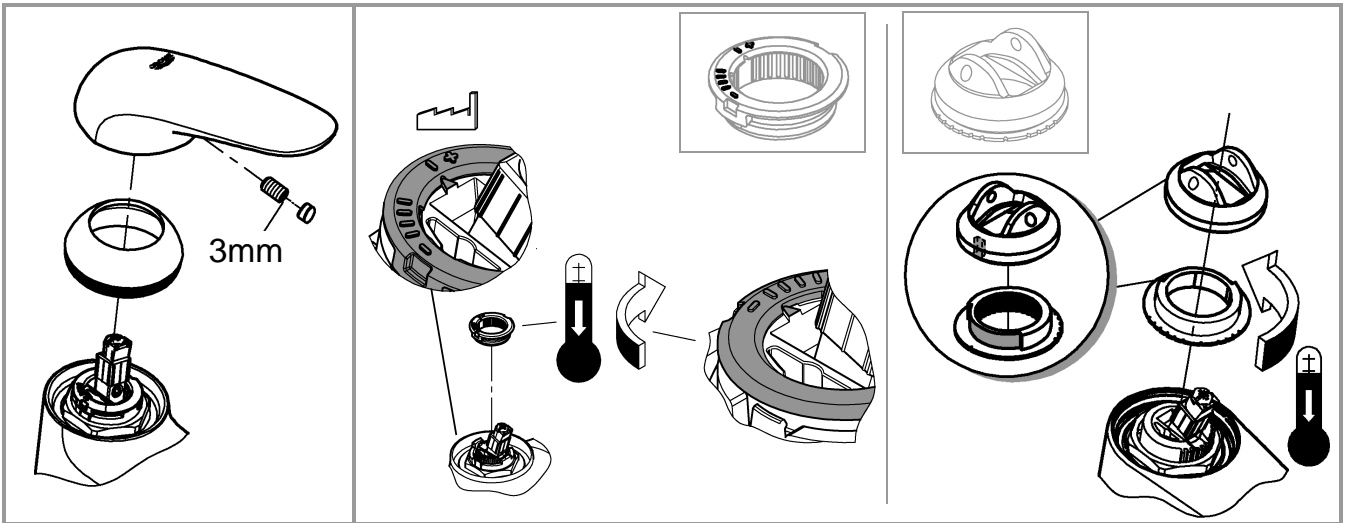
2

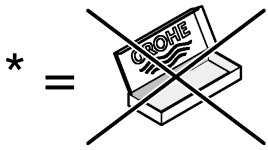


3

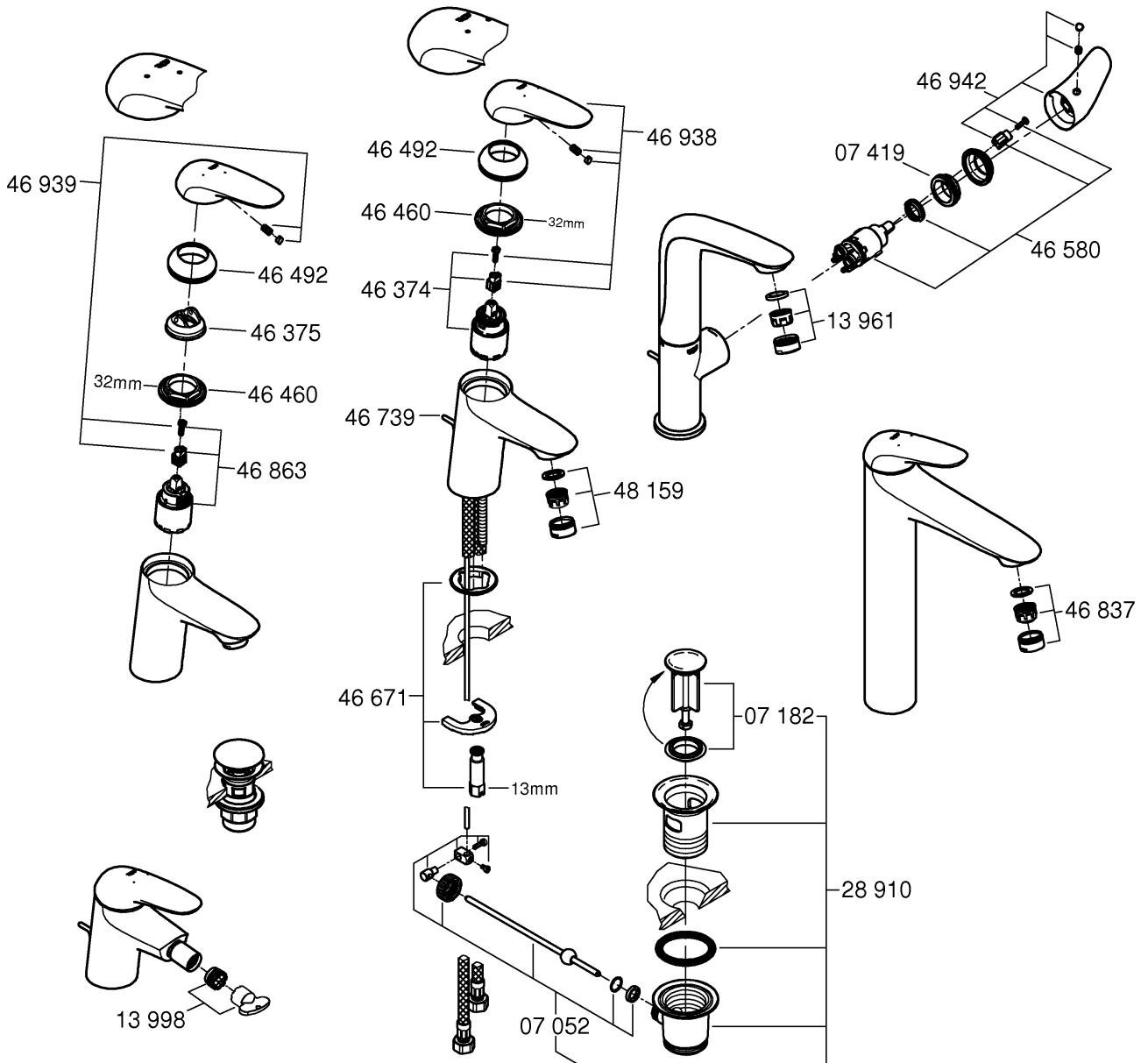








*19 332	32mm	*19 017	13mm



	07 052	180mm
	*07 341	350mm