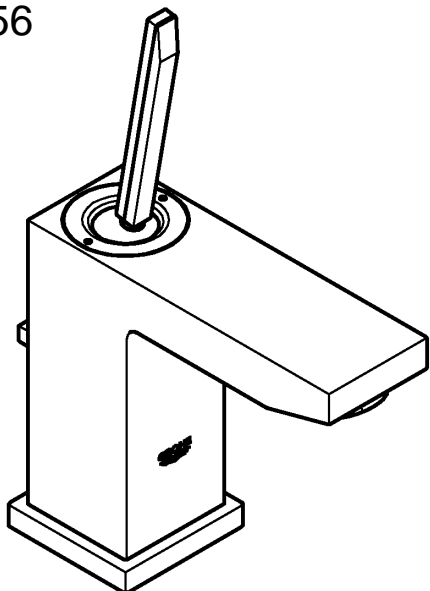
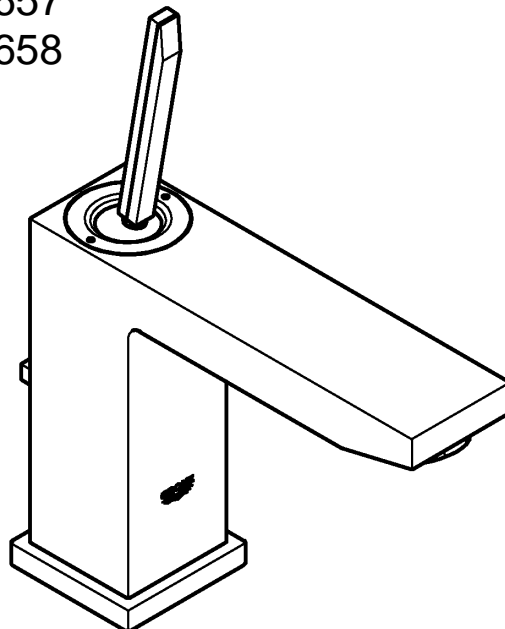




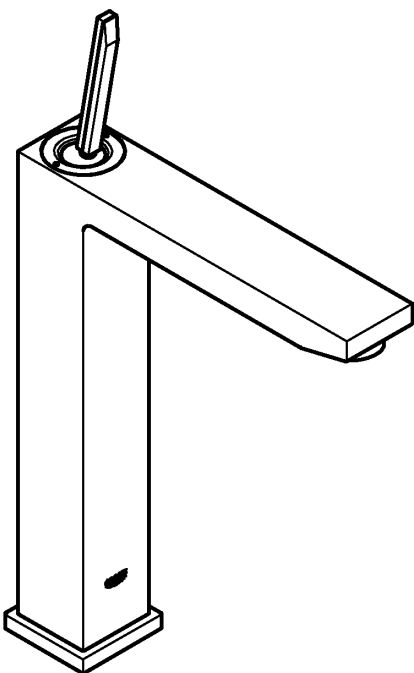
23 654  
23 656



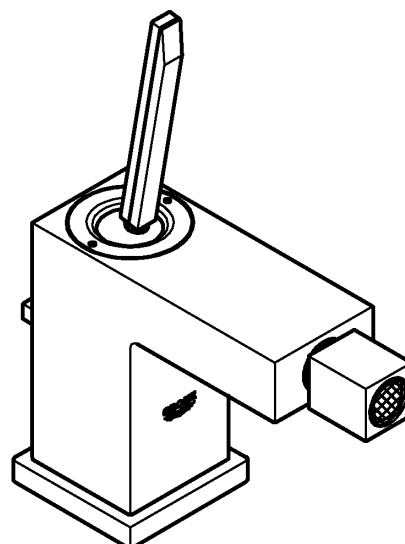
23 657  
23 658



23 661



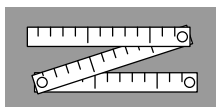
23 664



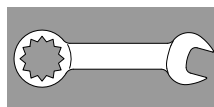
1



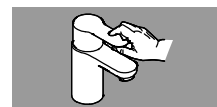
2



3 - 4



5



6



7





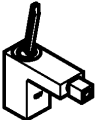
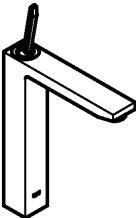



8

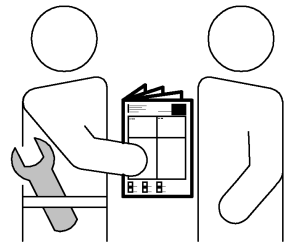
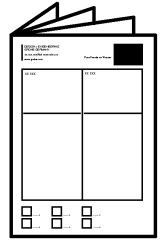


9

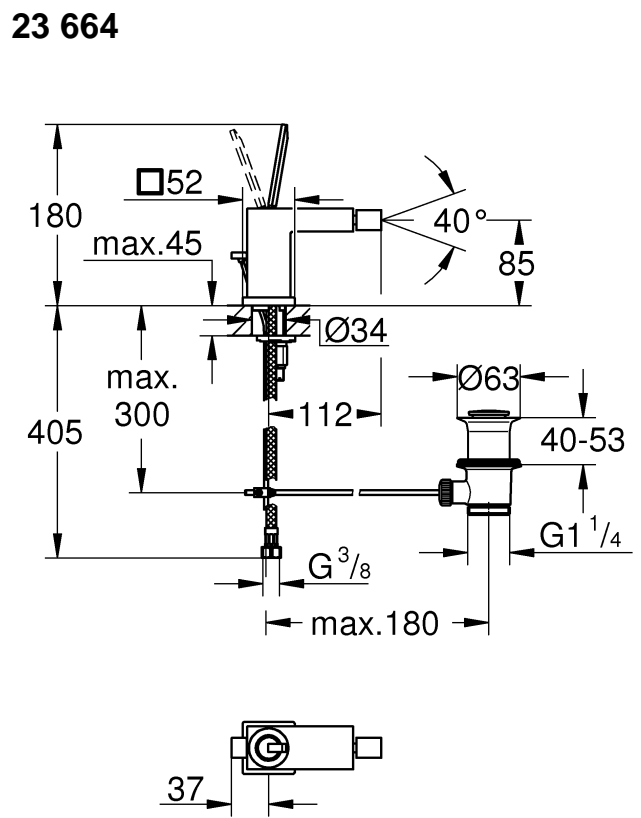
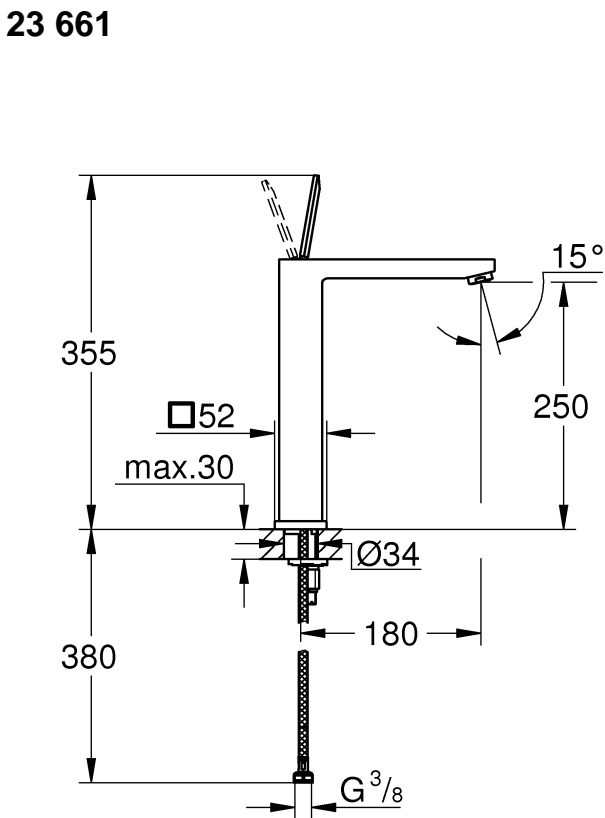
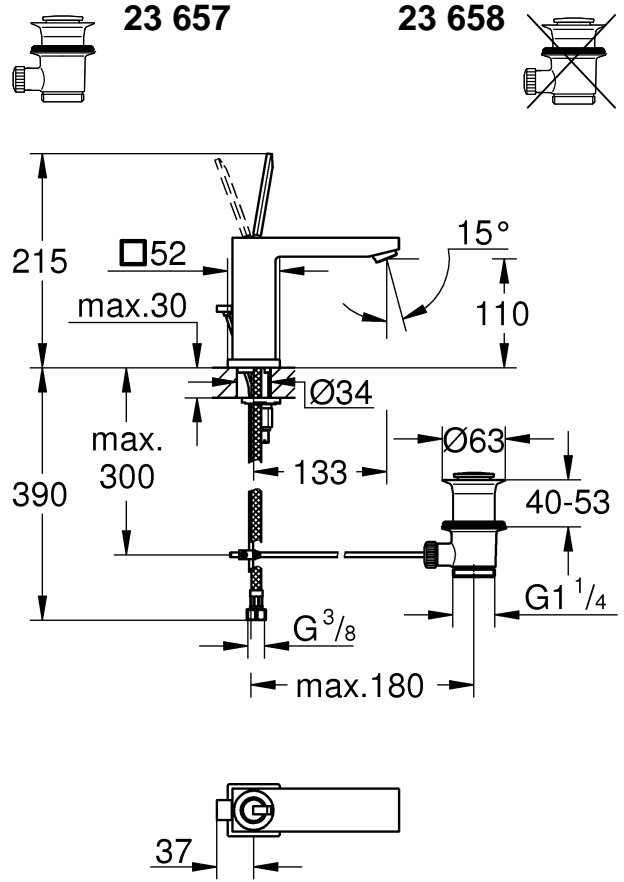
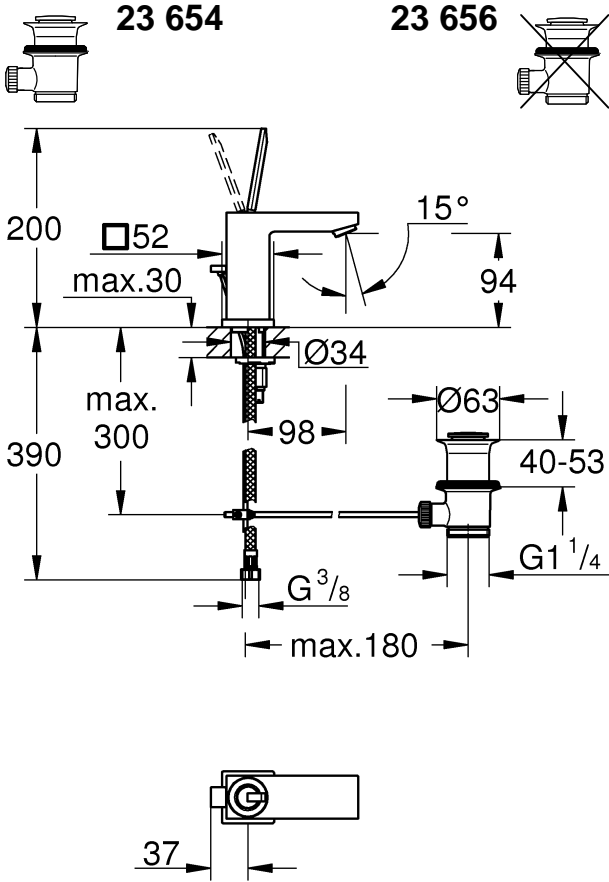




	23 654	23 656	23 657	23 658	23 661	23 664
	X	X	X	X		
						X
					X	
	X		X			X
	X	X	X	X	X	X
	X	X	X	X	X	X

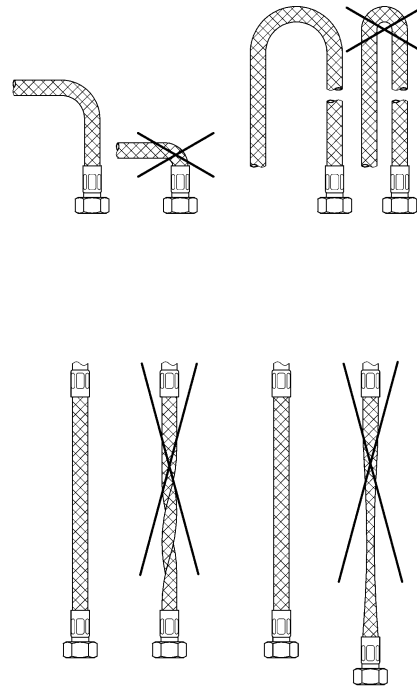
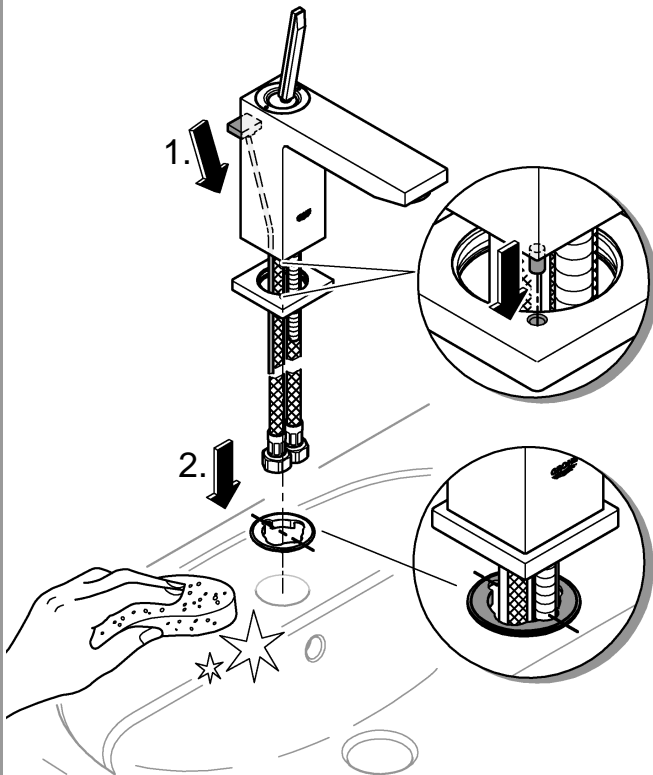


<p>DIN 1988 DIN EN 806</p>		<p><b>bar</b></p> <p>max. 10</p> <p>0,5 5 1</p>	<p>max. 70°</p> <p>60°</p>	
				<p>13mm *19 017</p>

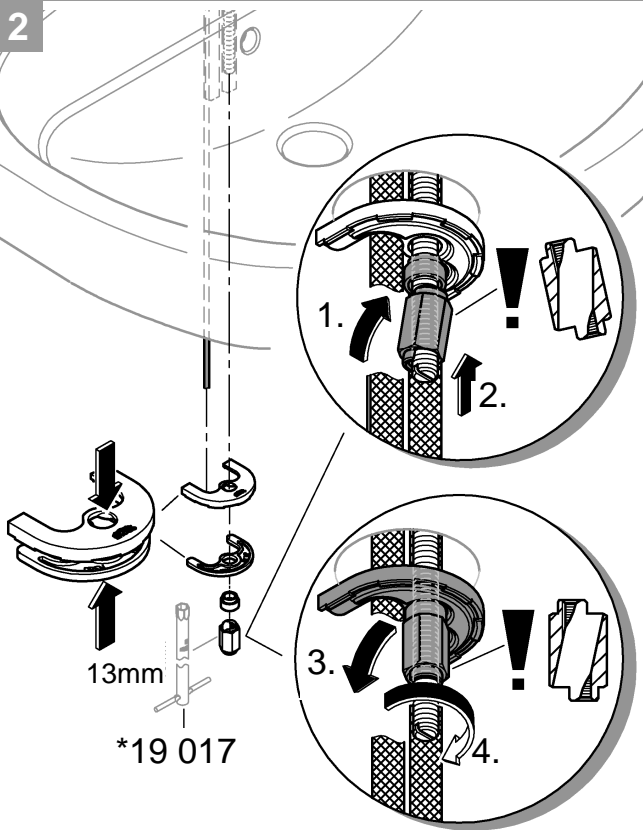




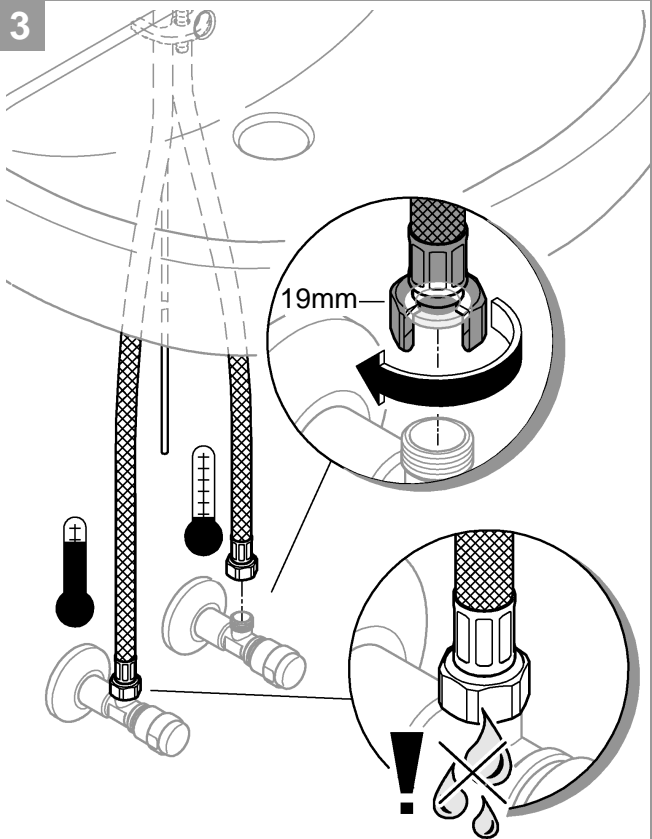
1



2

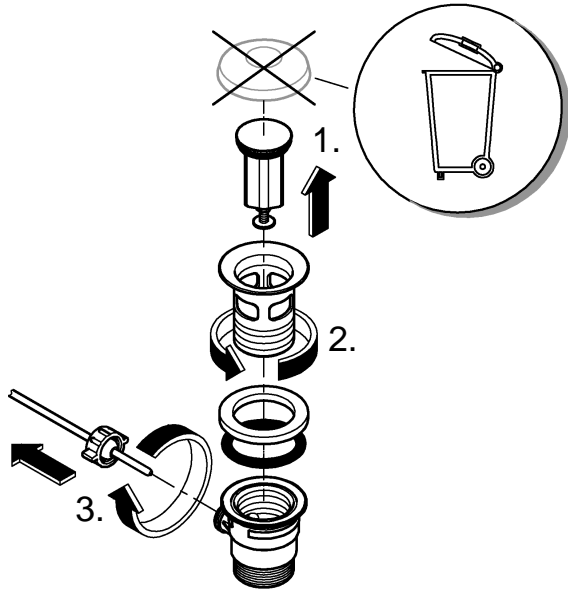


3

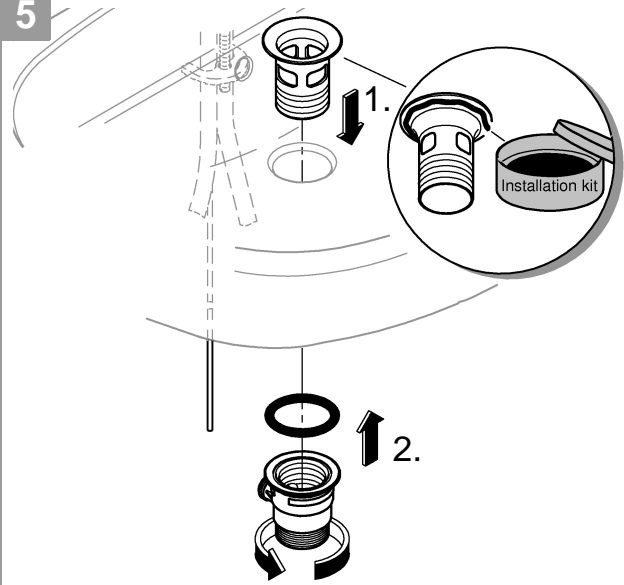




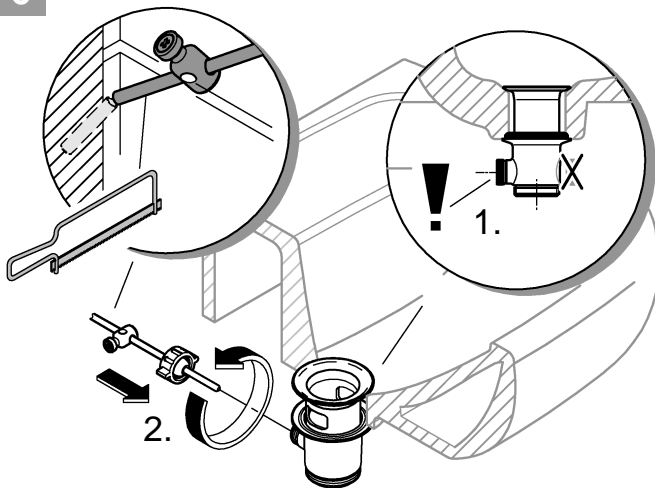
4



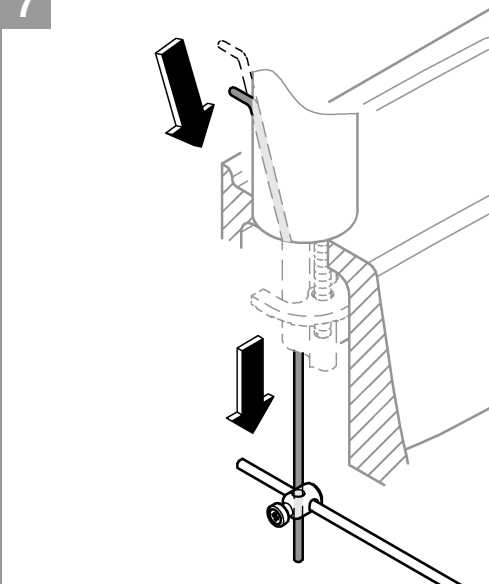
5



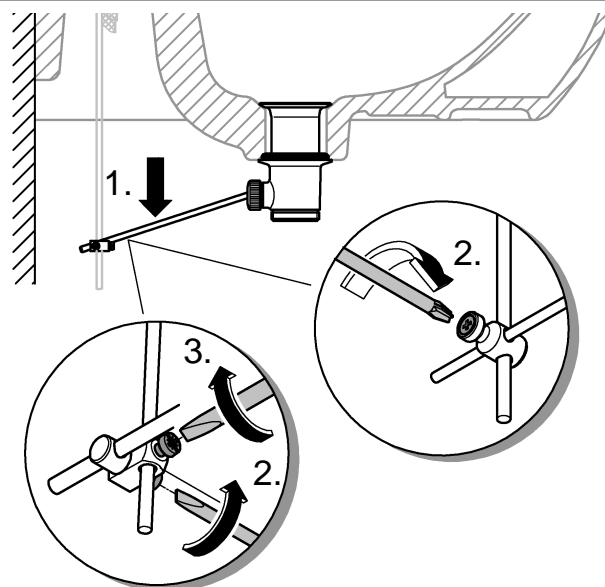
6



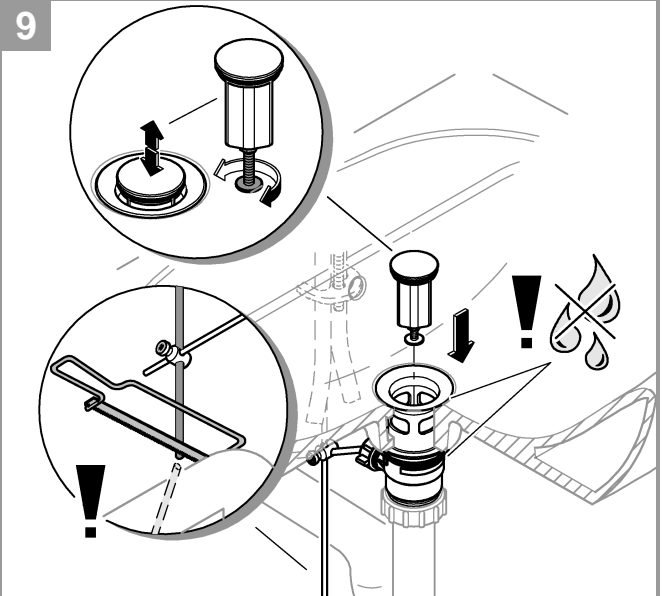
7

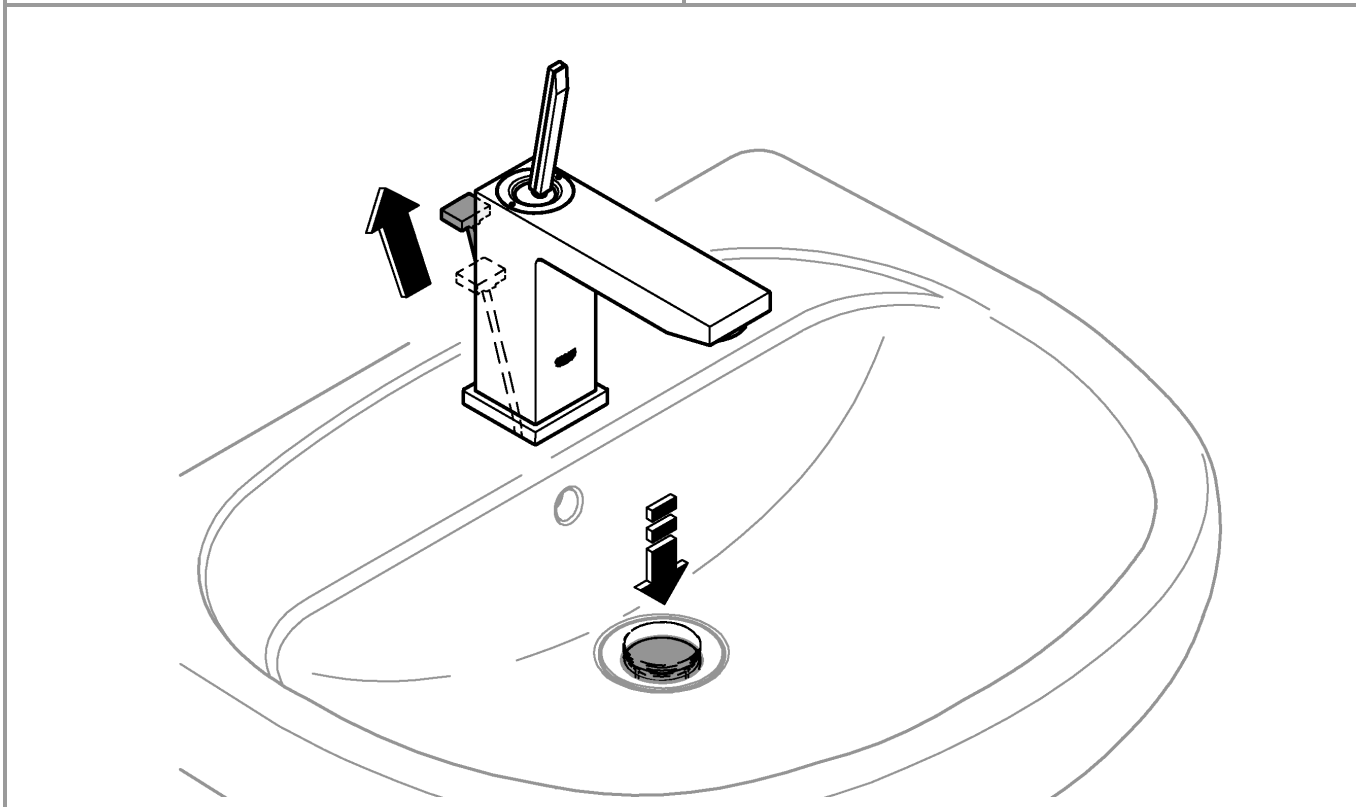
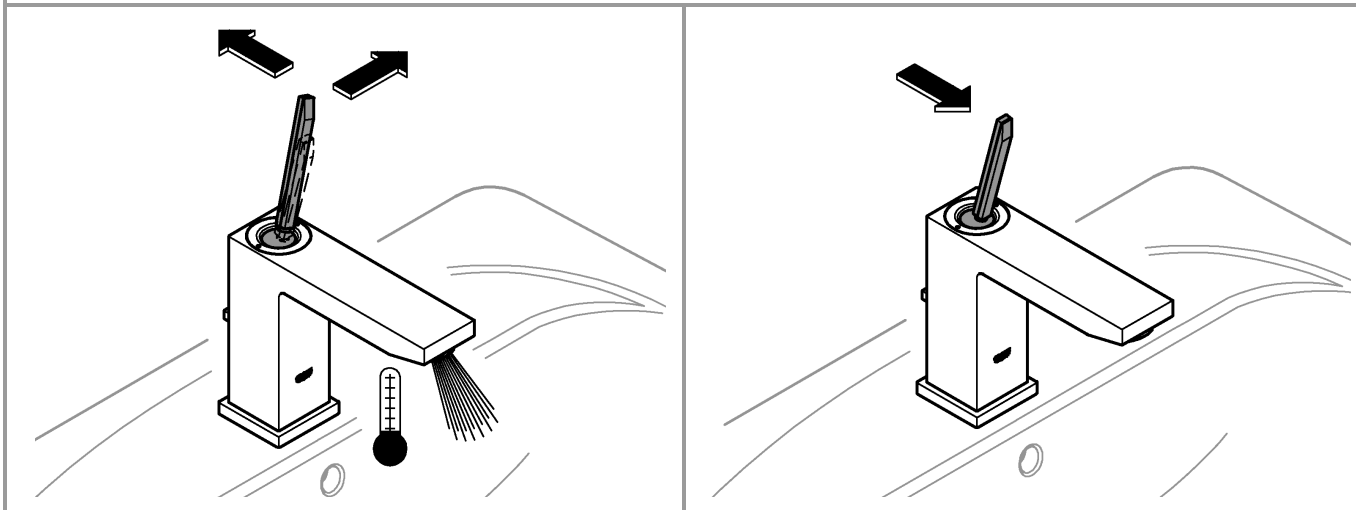
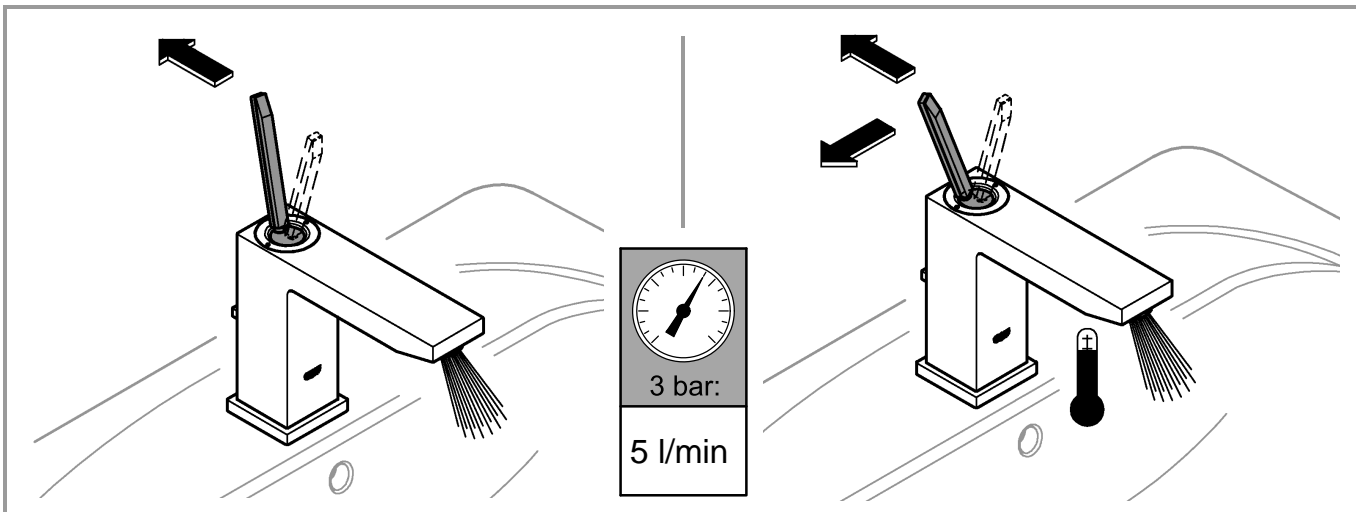
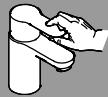


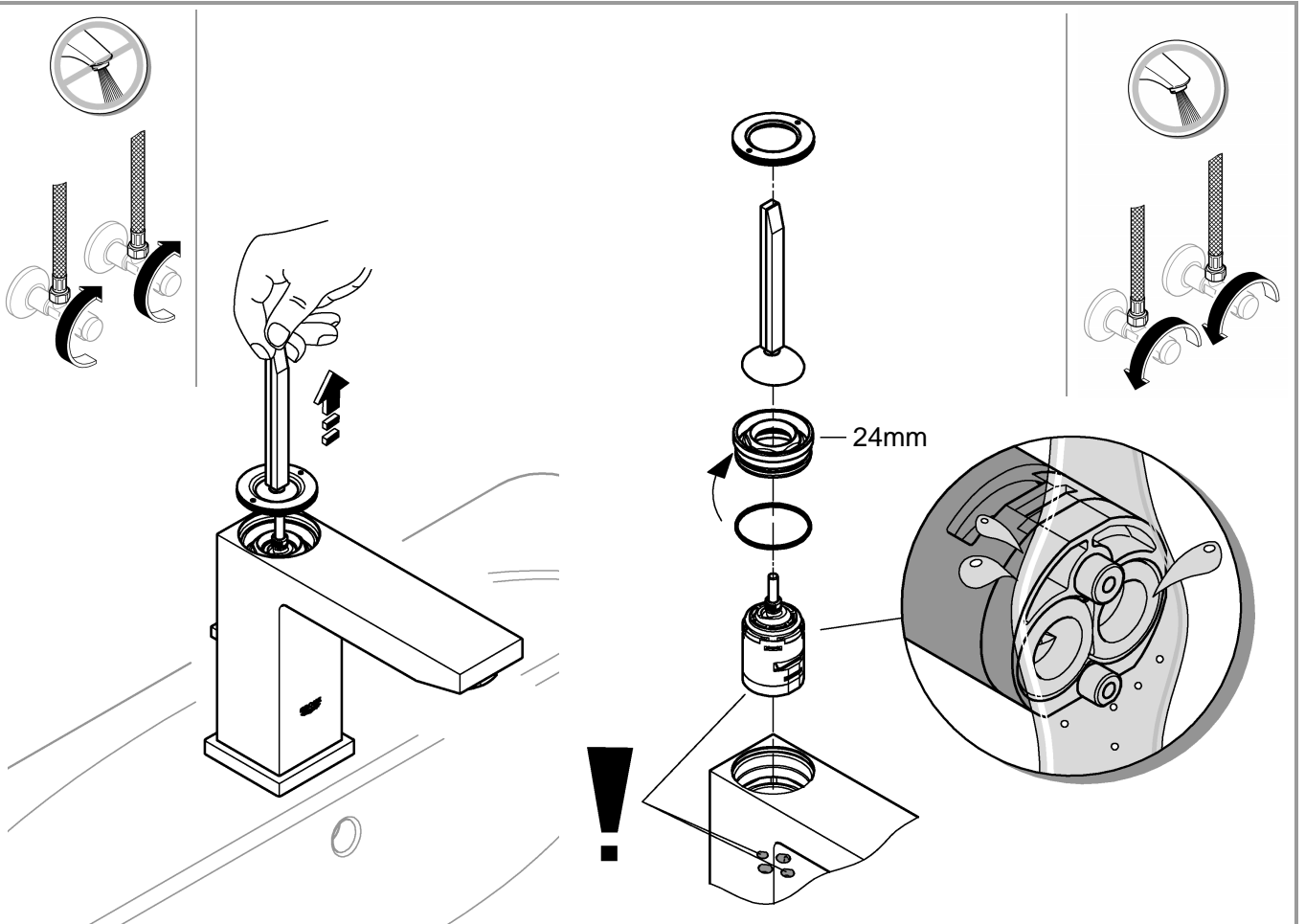
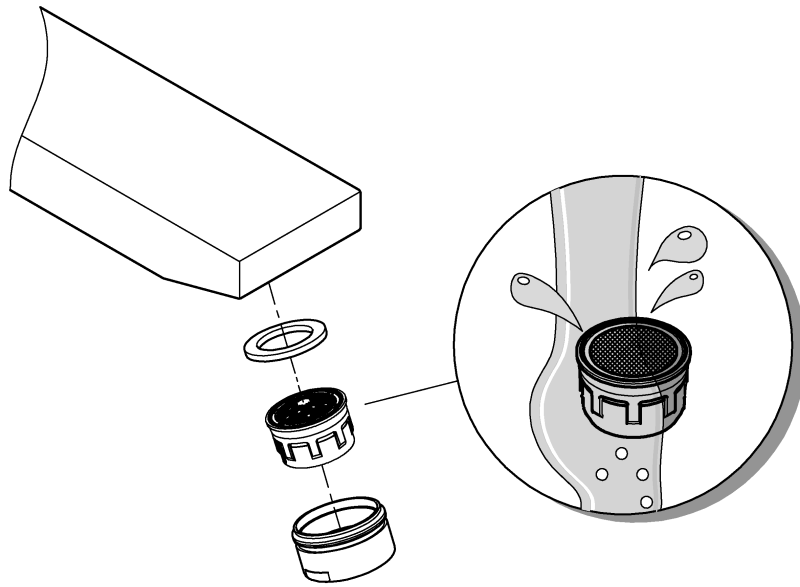
8

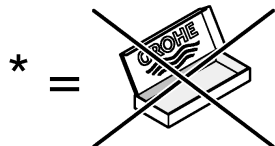
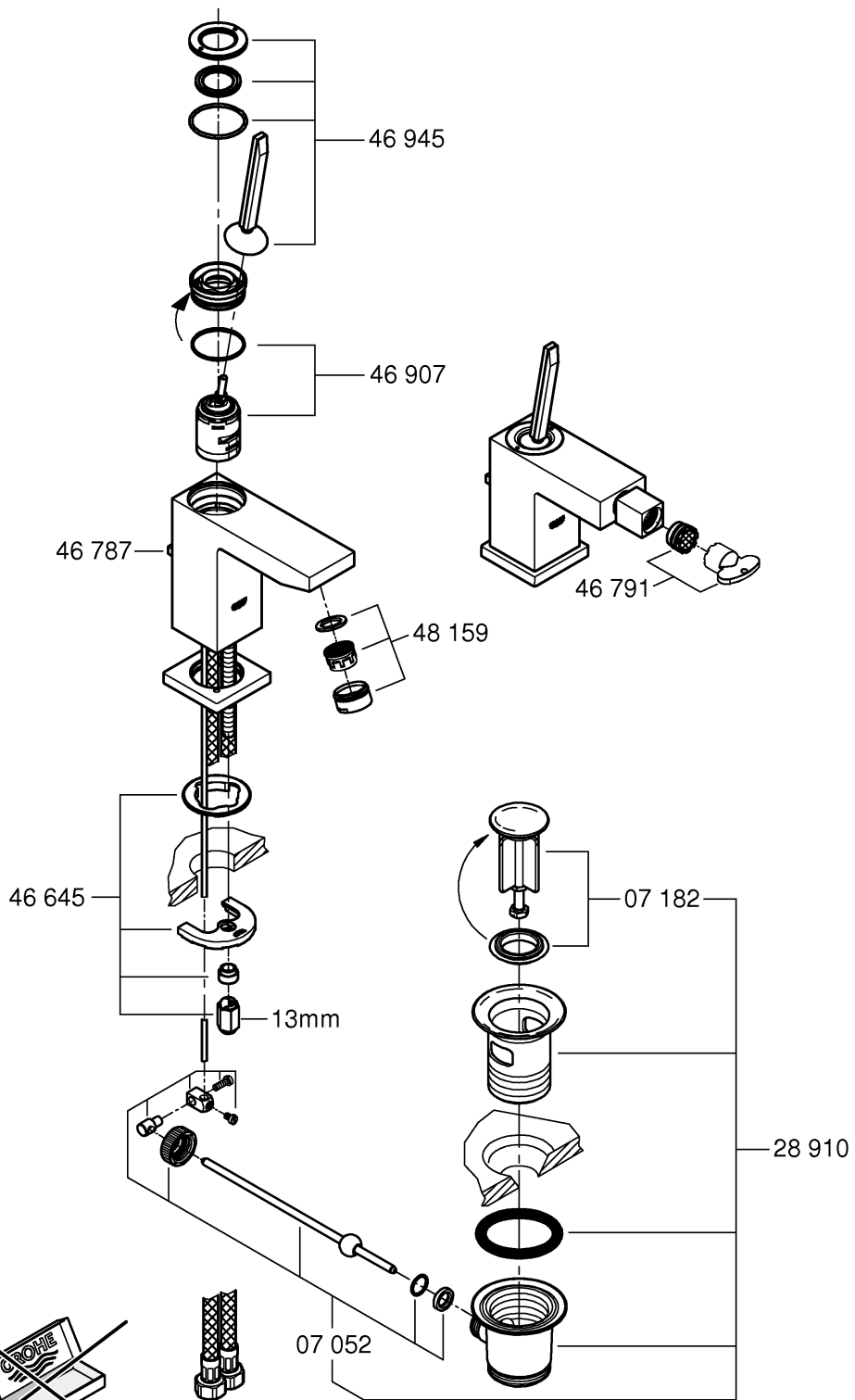


9









	07 052	180mm
	*07 341	350mm

*19 017	13mm





A series of 20 horizontal lines for writing, spaced evenly down the page.