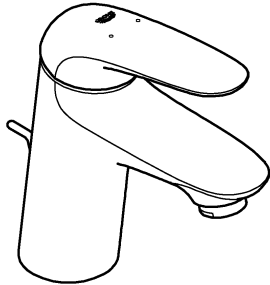
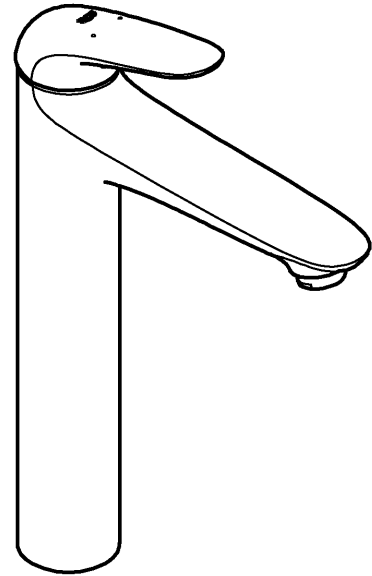




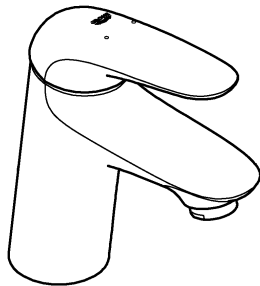
23 707
23 709



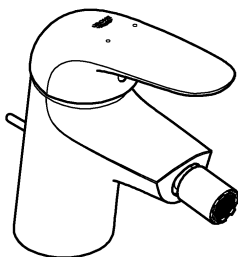
23 719



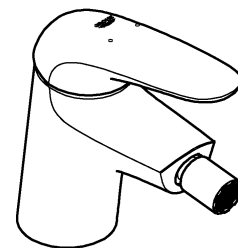
23 713
23 715



23 720



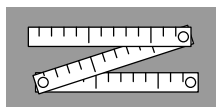
23 721



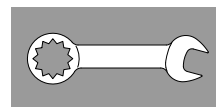
1



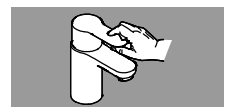
2



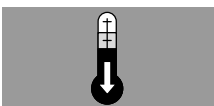
3 - 4



5



6



7






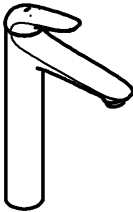



8





9




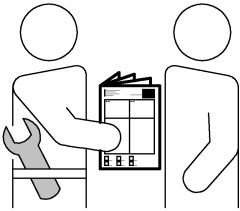


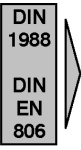
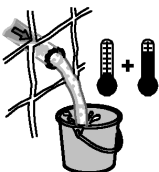
	23 707	23 709	23 713	23 715	23 719	23 720	23 721
	X	X	X	X			
						X	X
					X		
	X	X				X	
			X				X
	X	X	X	X	X	X	X










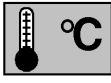





bar

max. 10

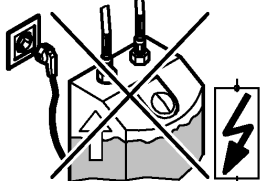
5 1


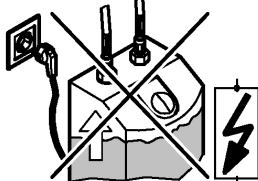
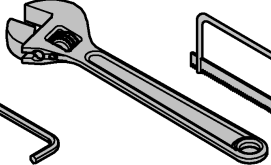
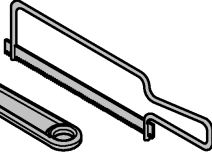


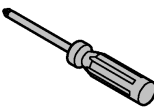
°C

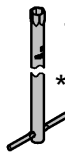
max. 70°

60°













13mm

*19 017

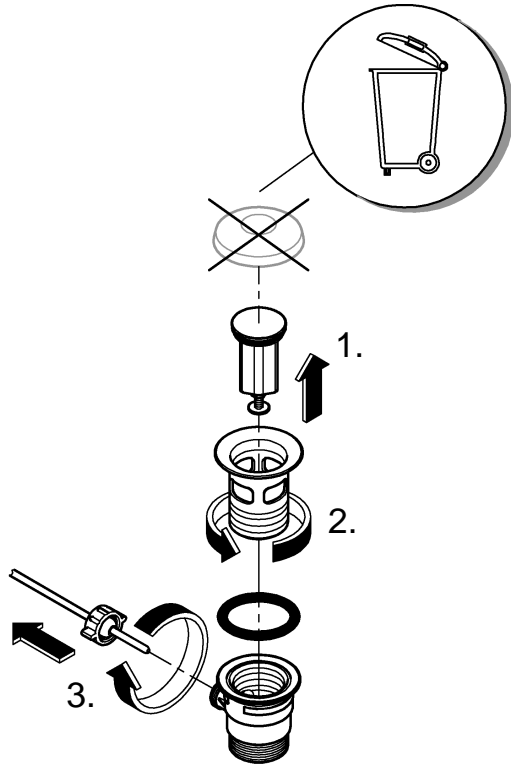


32mm

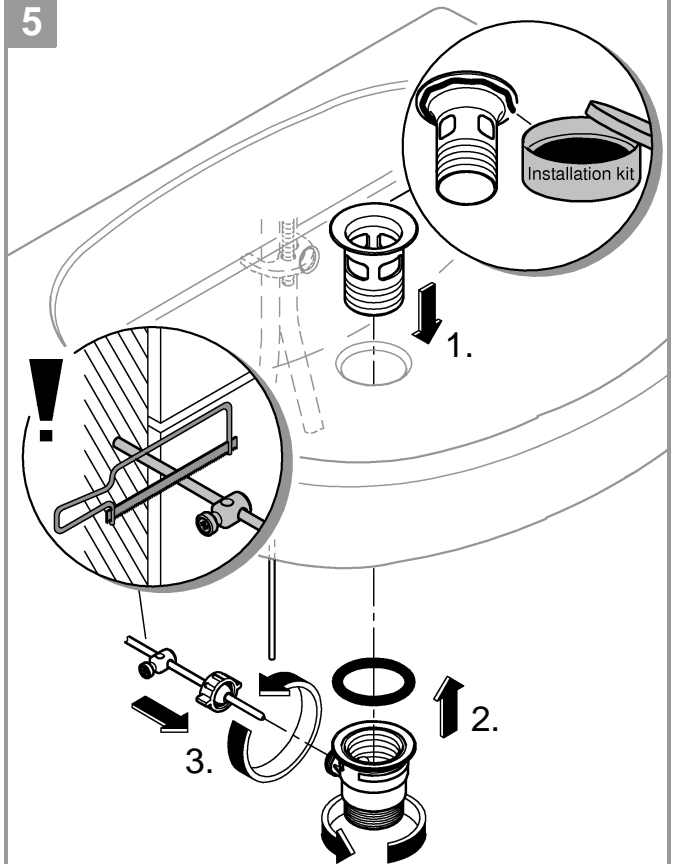
*19 332



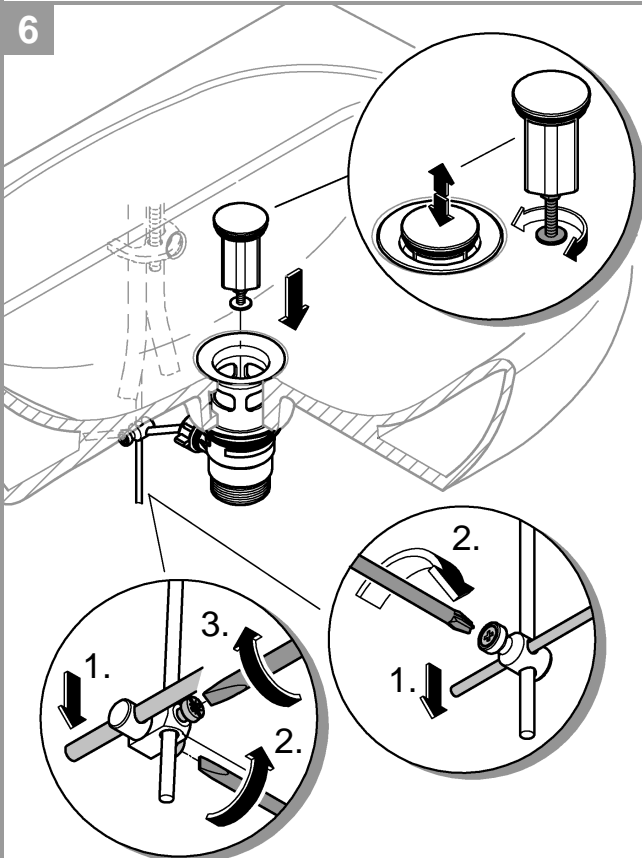
4



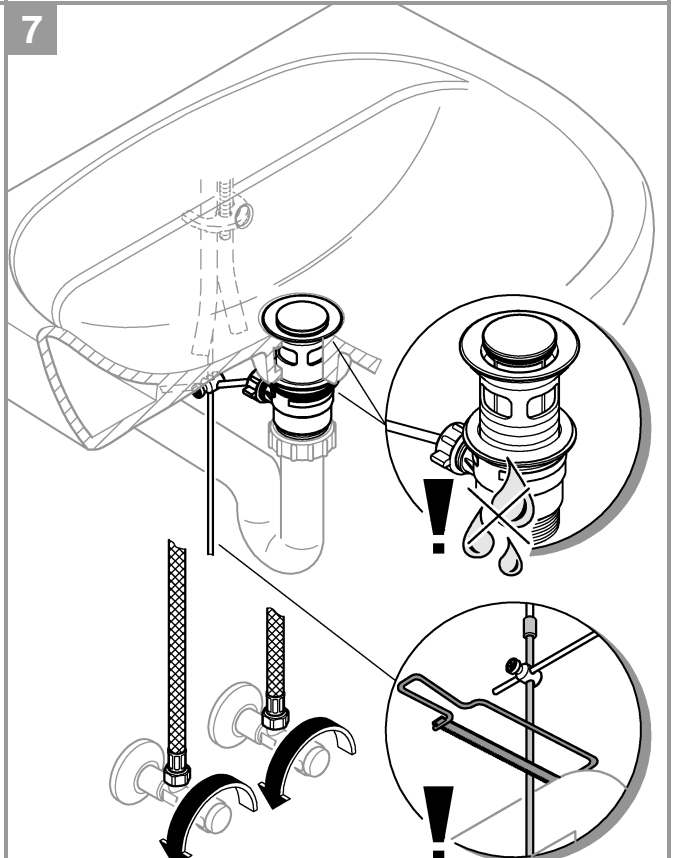
5

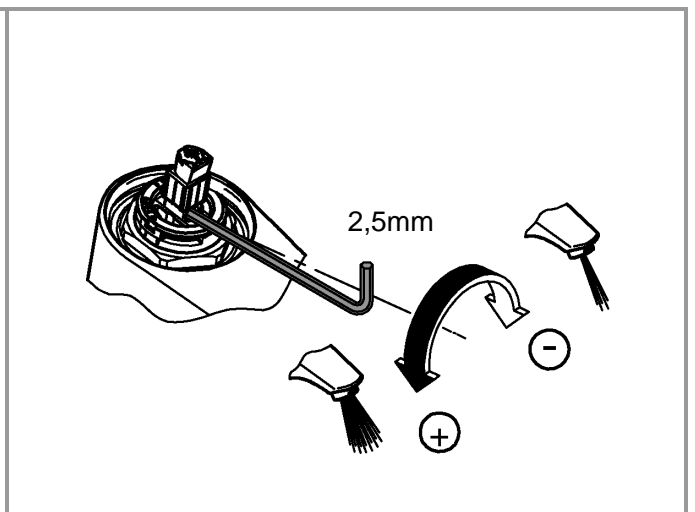
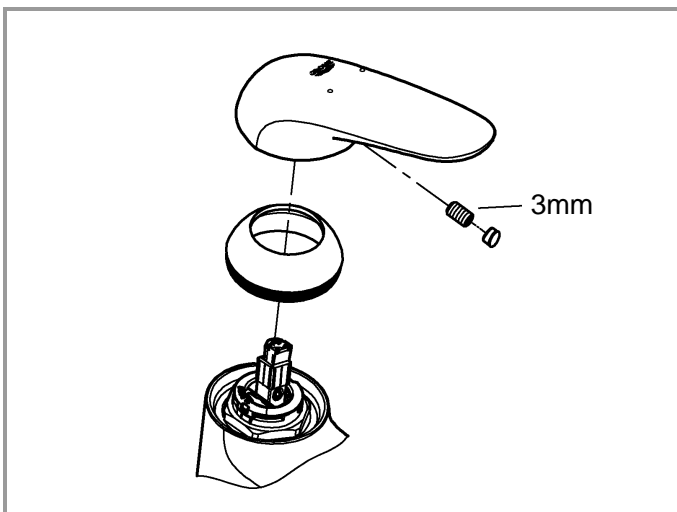
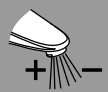
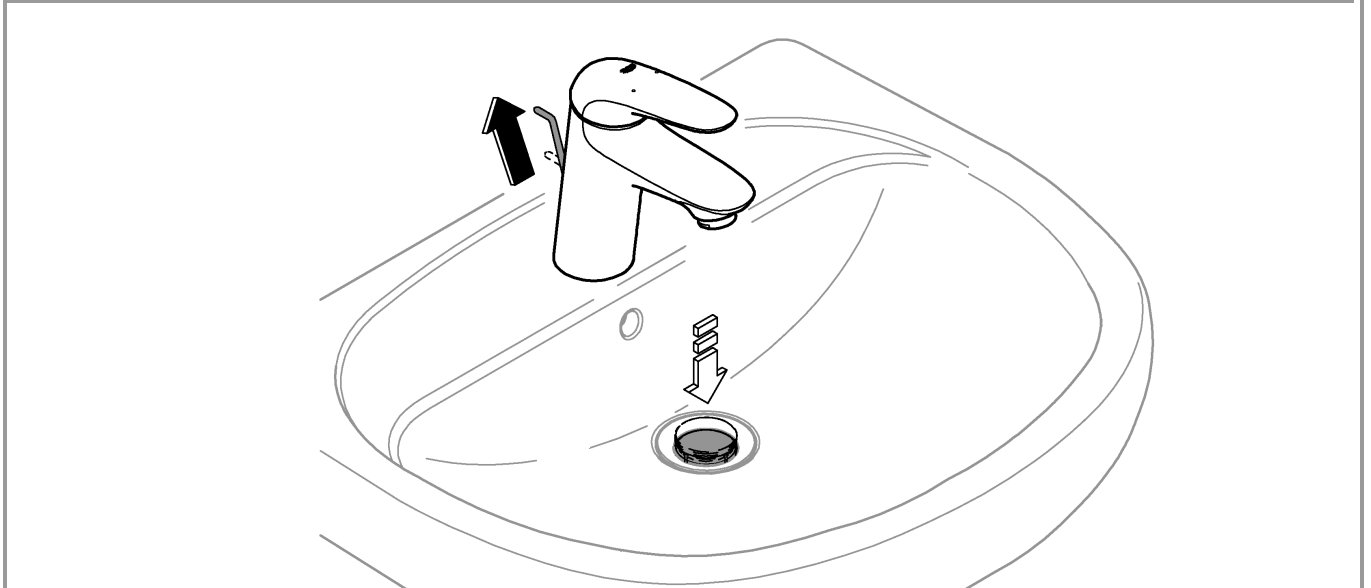
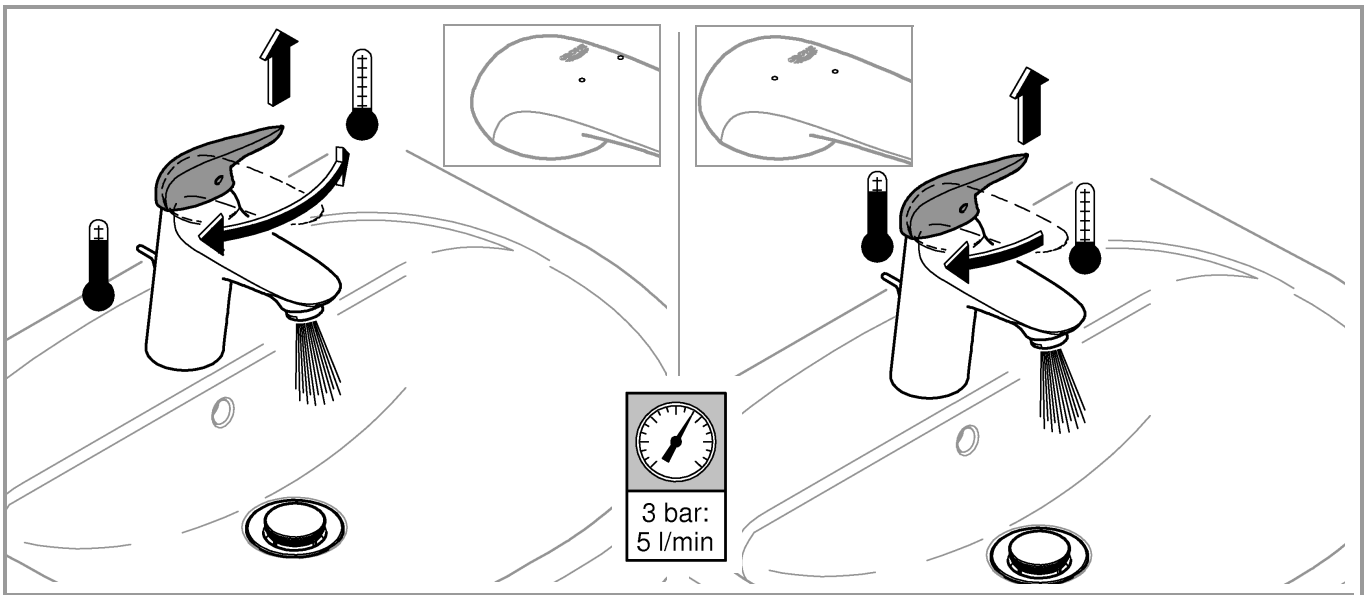
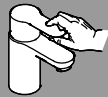


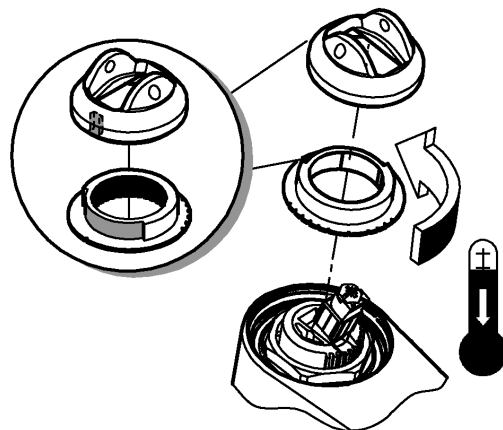
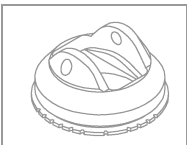
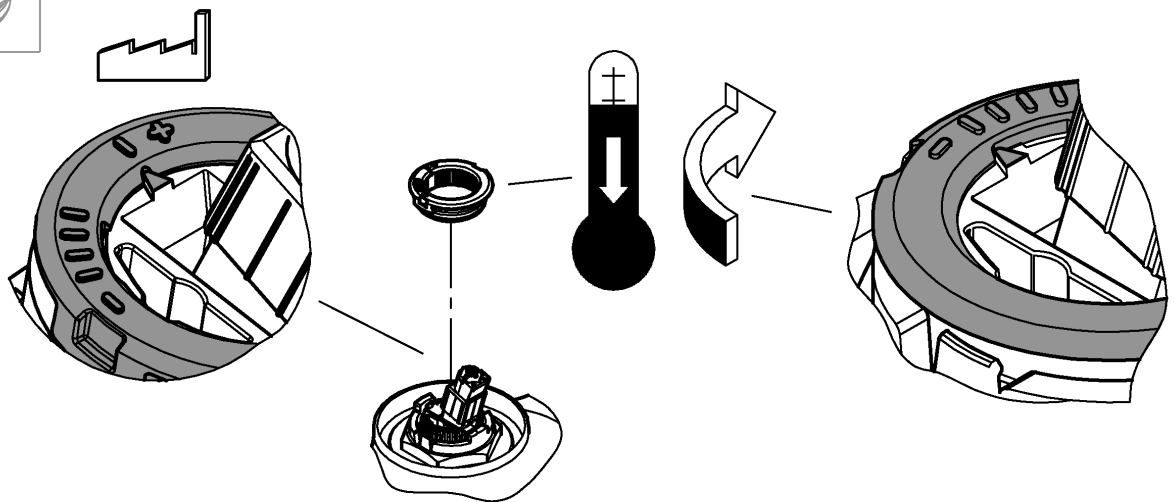
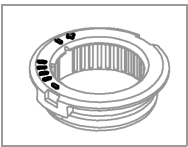
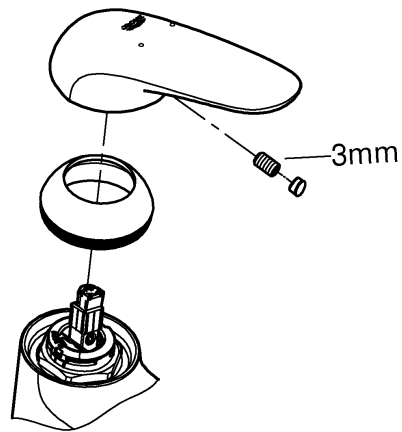
6

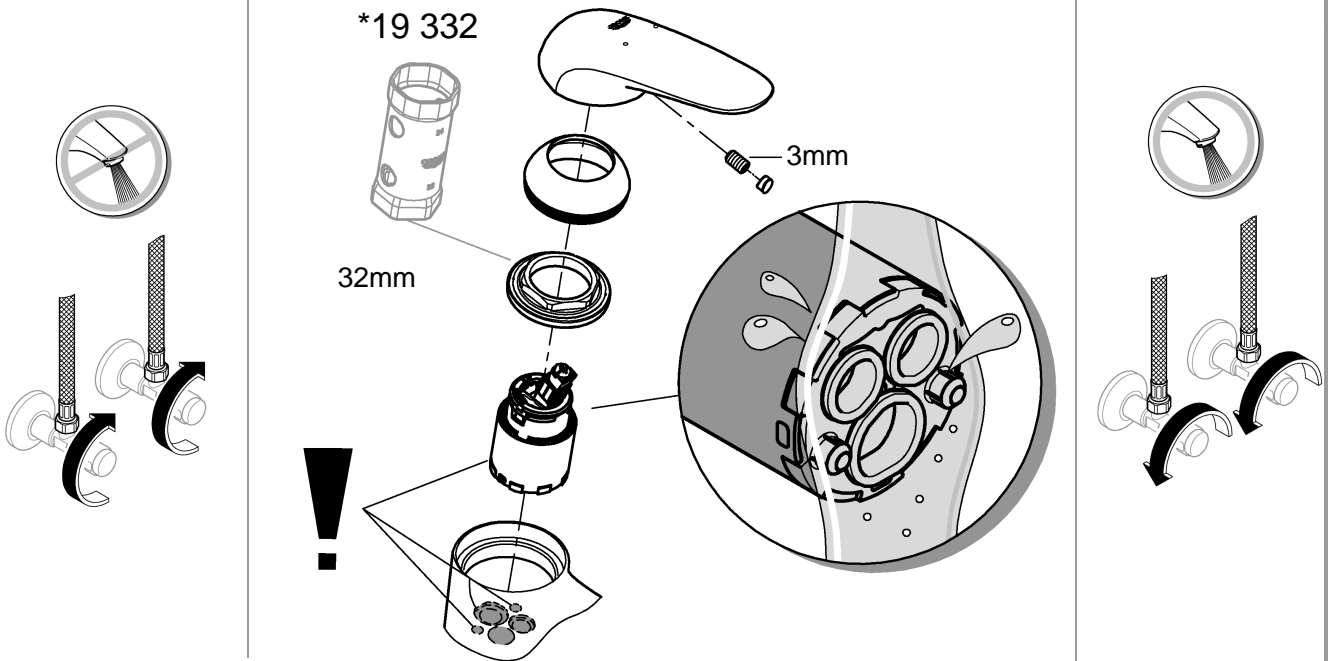
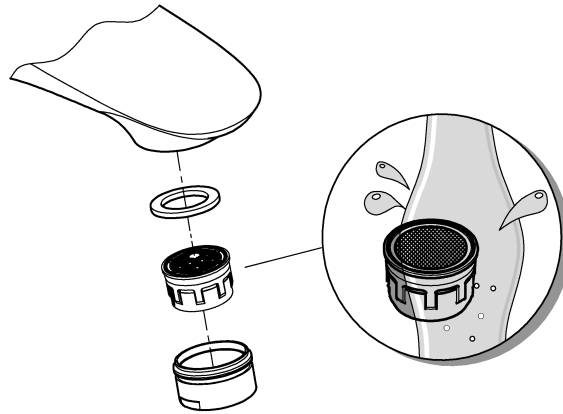


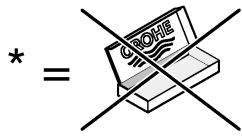
7











*19 332	32mm	*19 017	13mm

