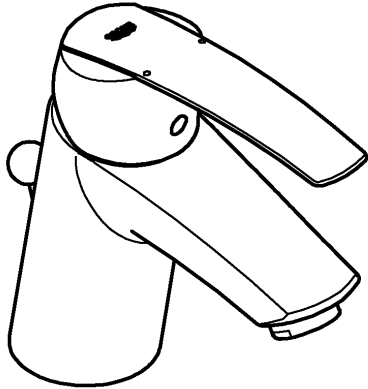
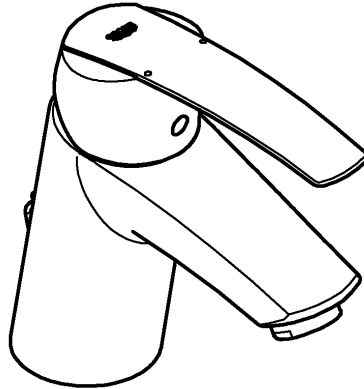




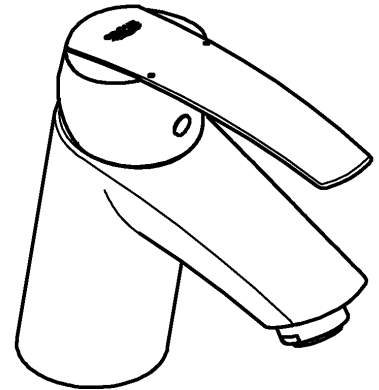
32 559



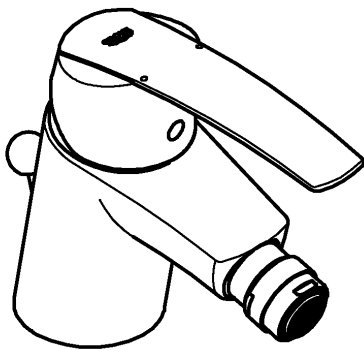
32 277



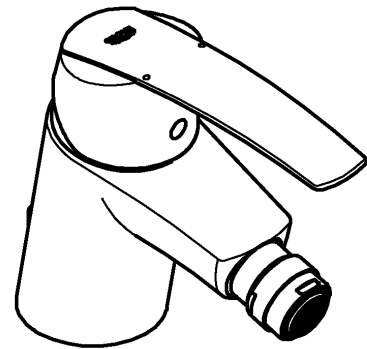
23 550



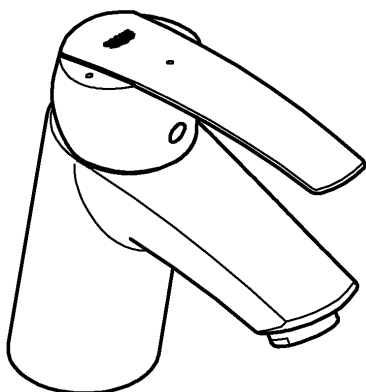
32 560



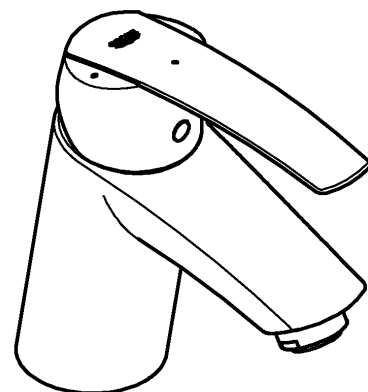
32 281






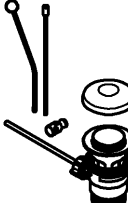

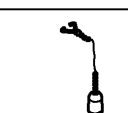

31 137





23 551




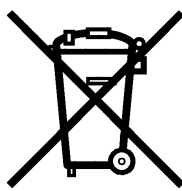


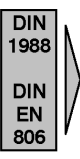

	23 550	23 551	31 137	32 277	32 281	32 559	32 560
	X	X	X	X		X	
					X		X
			X			X	X
	X	X					
				X	X		
	X	X	X	X	X	X	X















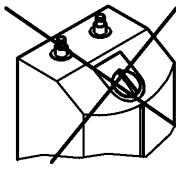
bar

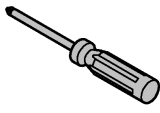
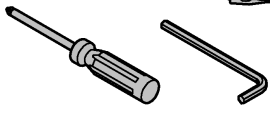


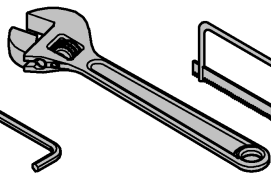




°C

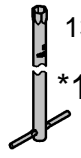




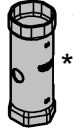



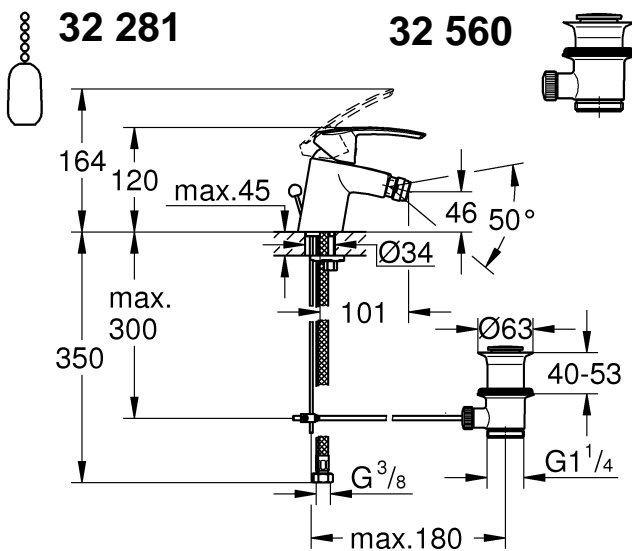
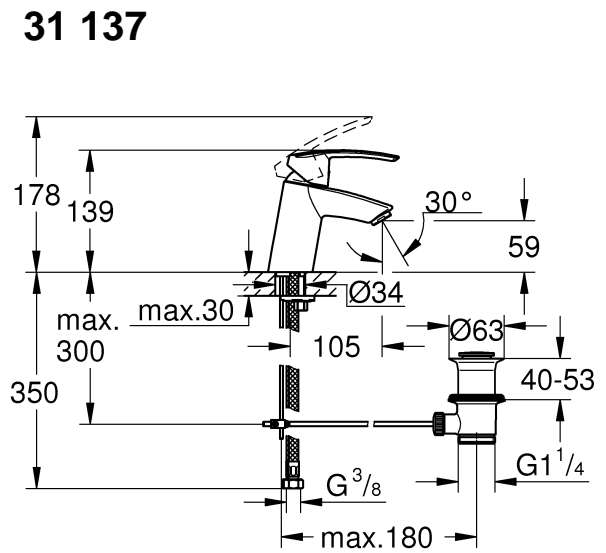
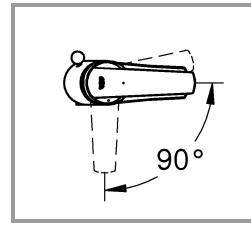
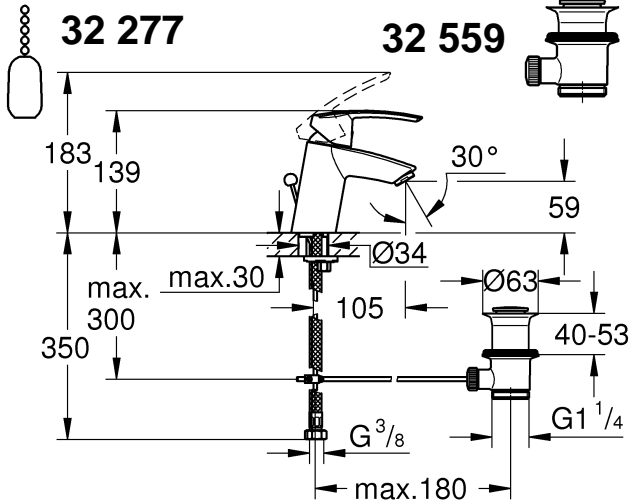
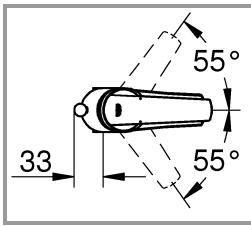
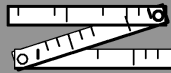




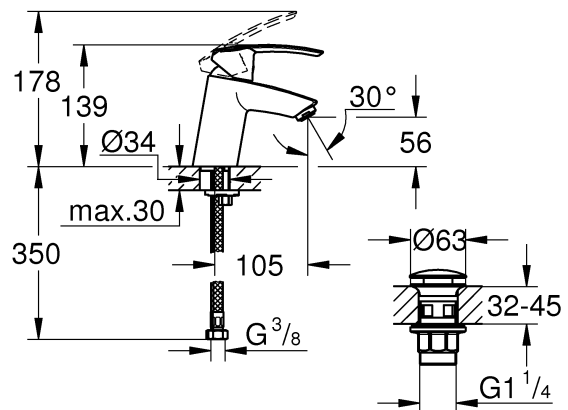
13mm
*19 017



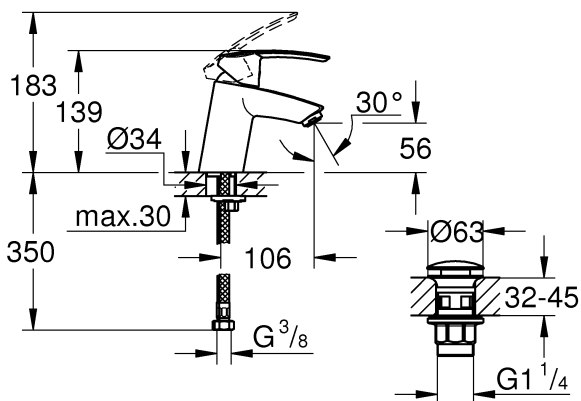
32mm
*19 332



23 551

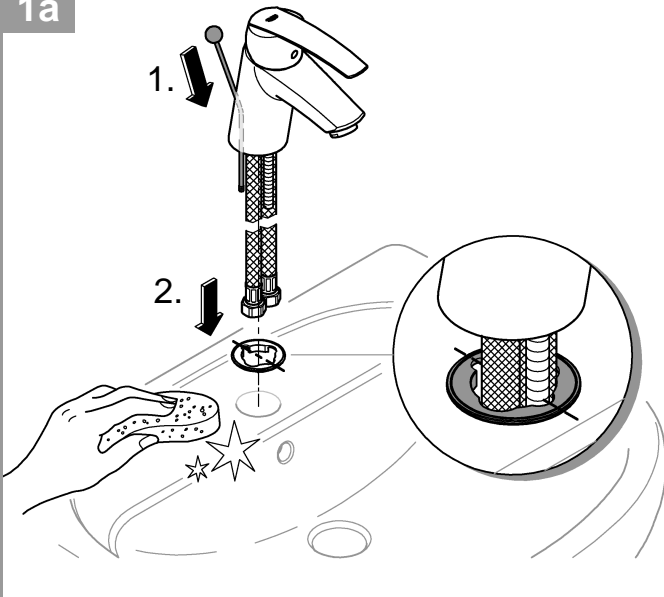


23 550

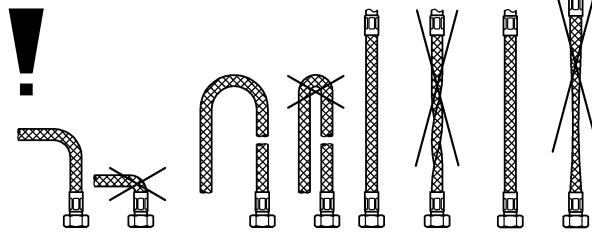
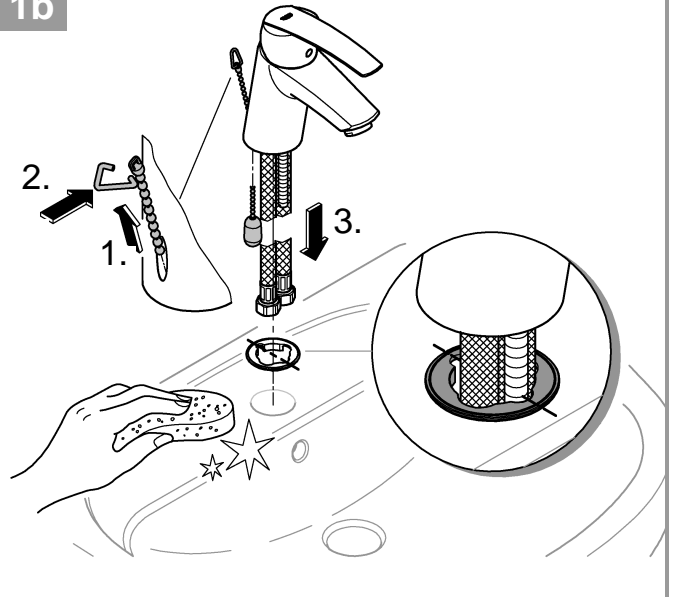




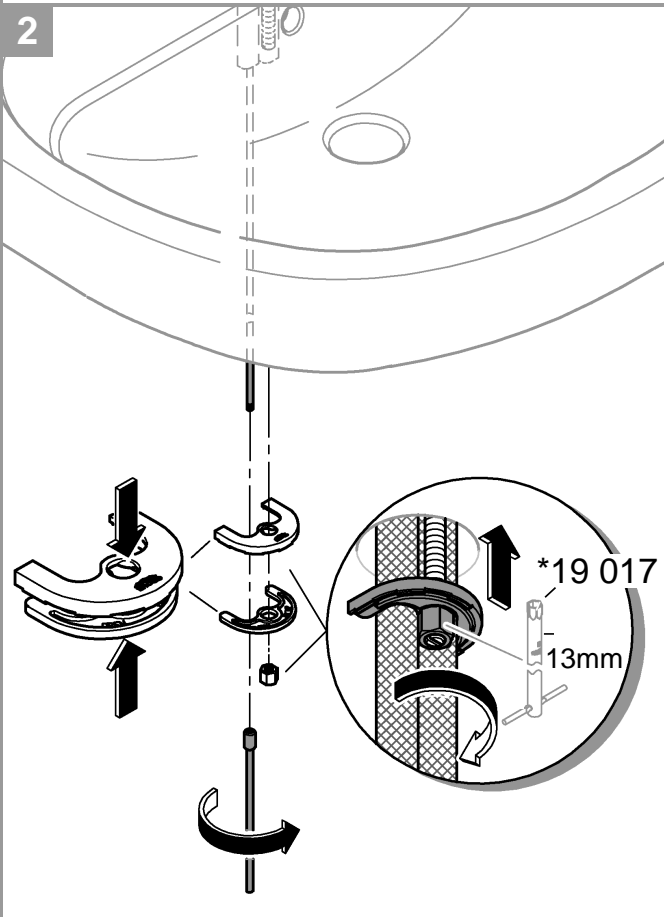
1a



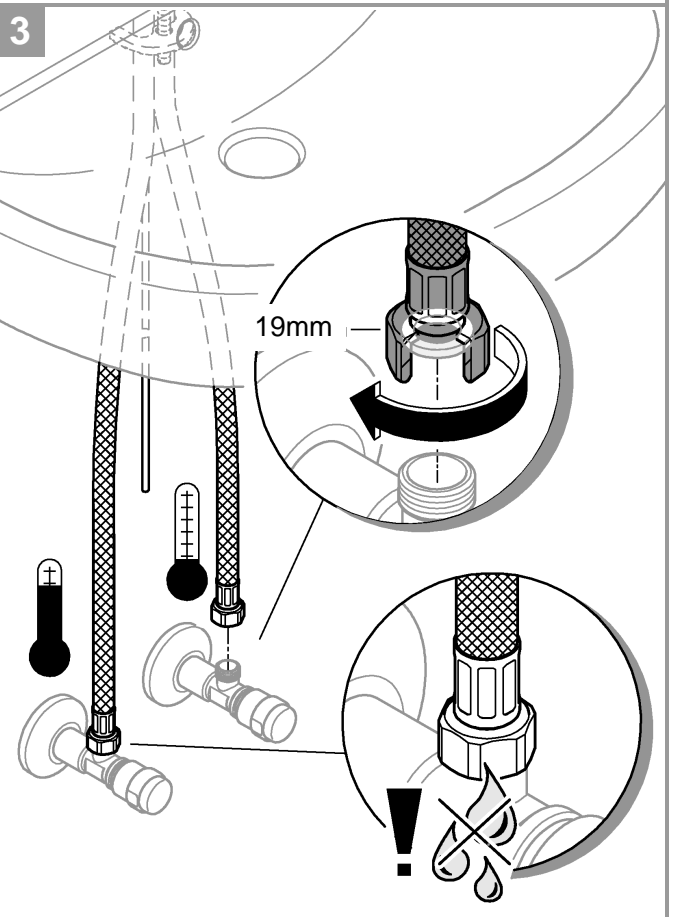
1b



2

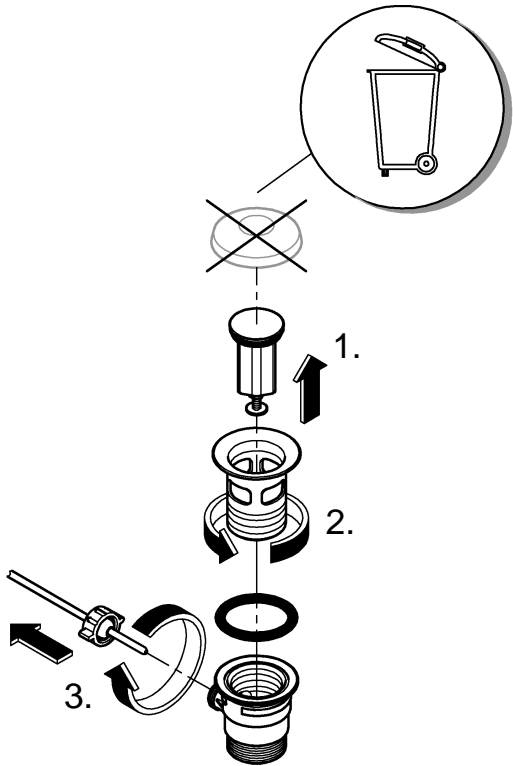


3

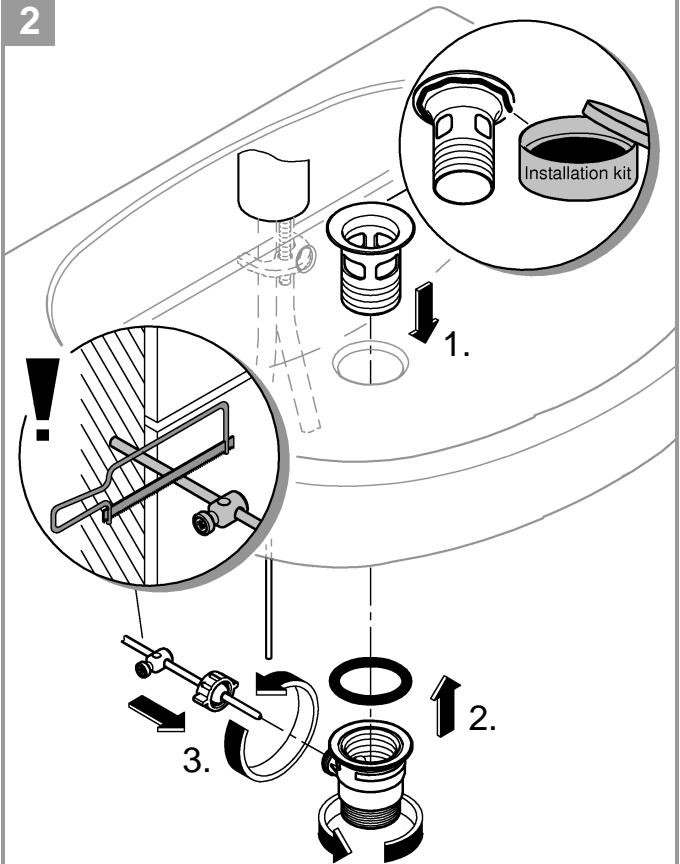




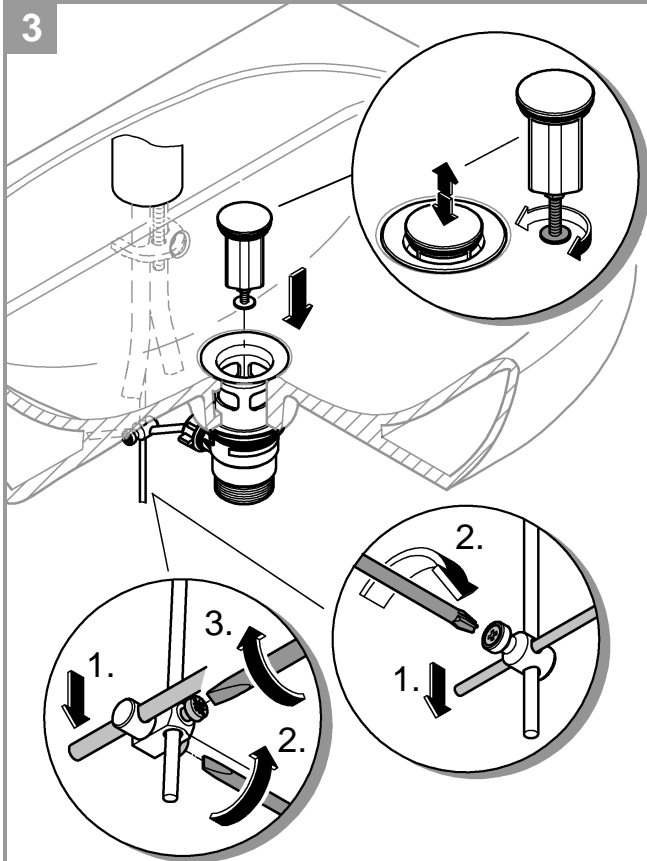
1



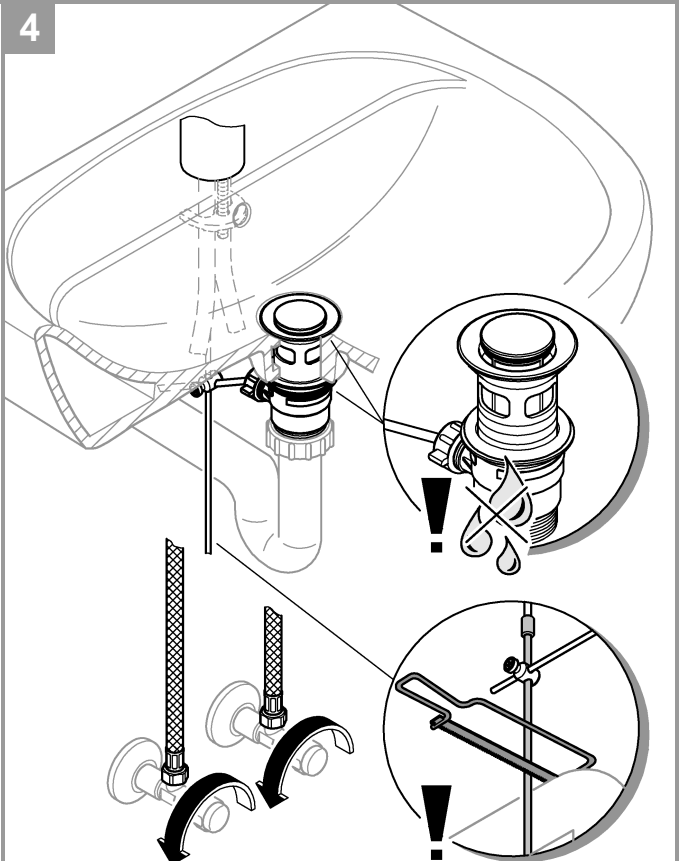
2



3

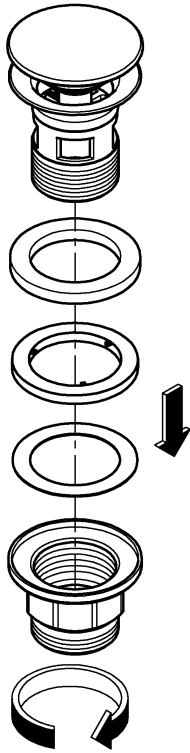


4

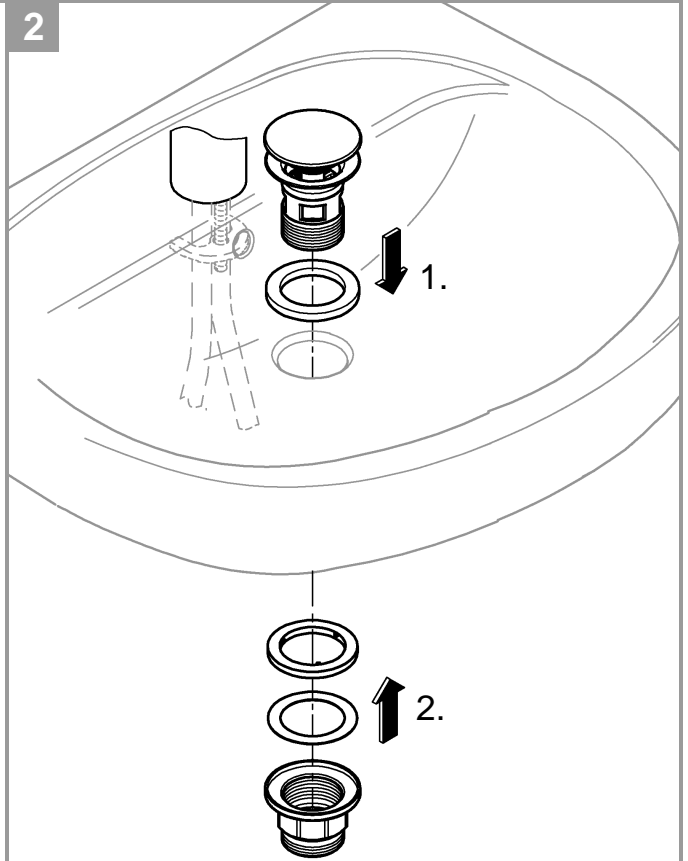




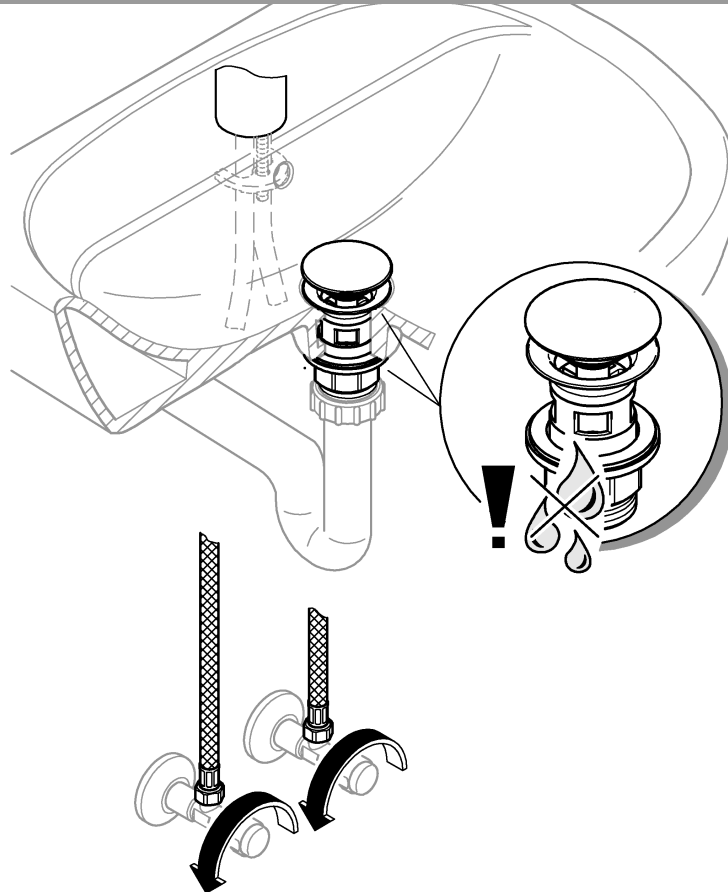
1

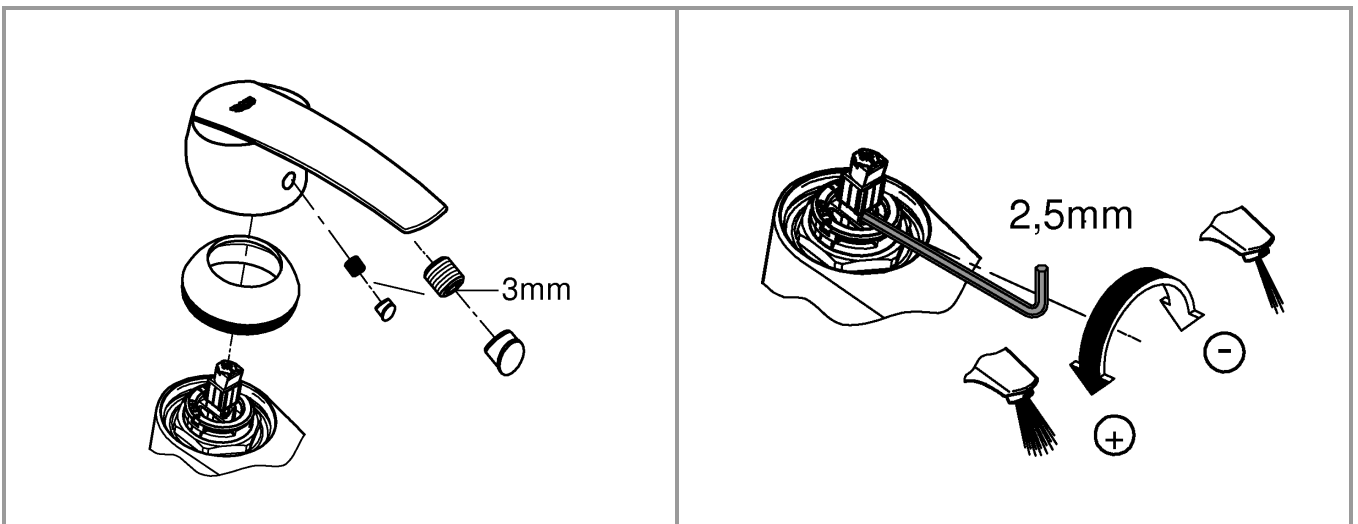
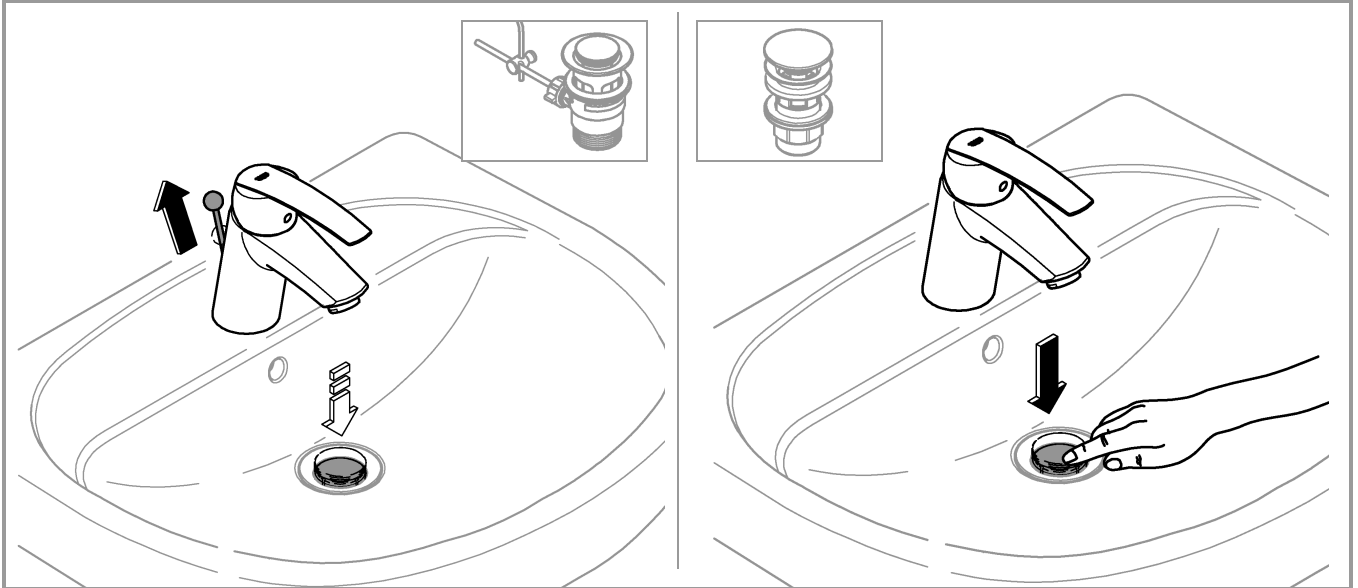
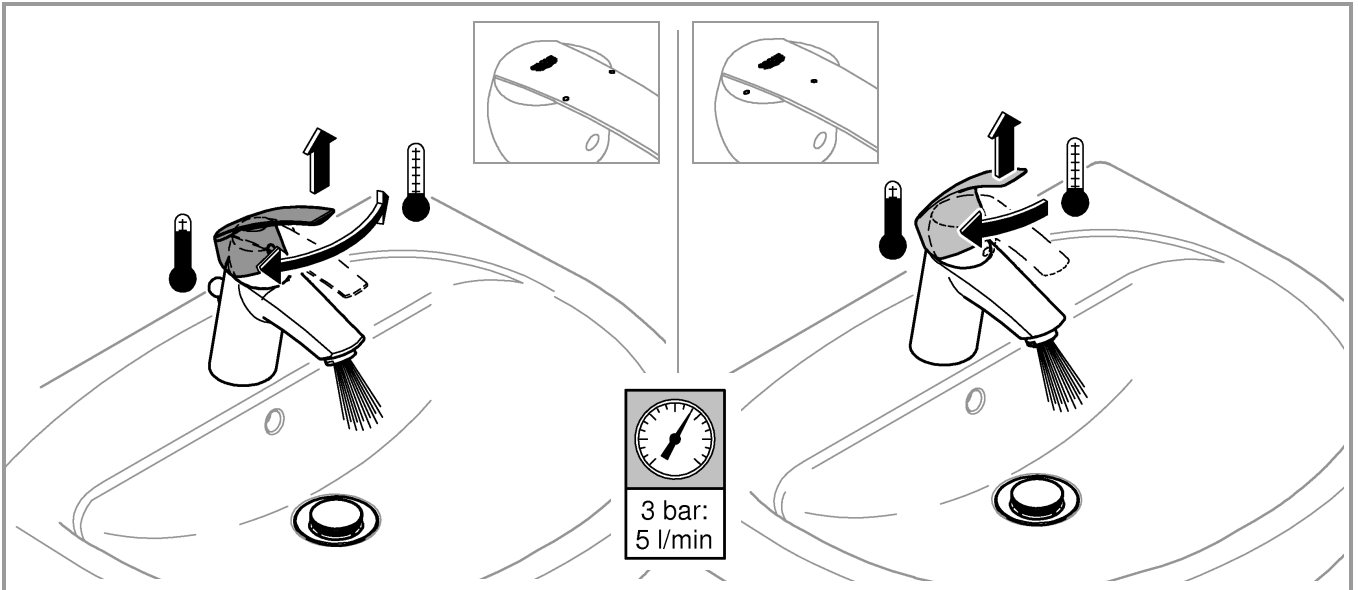


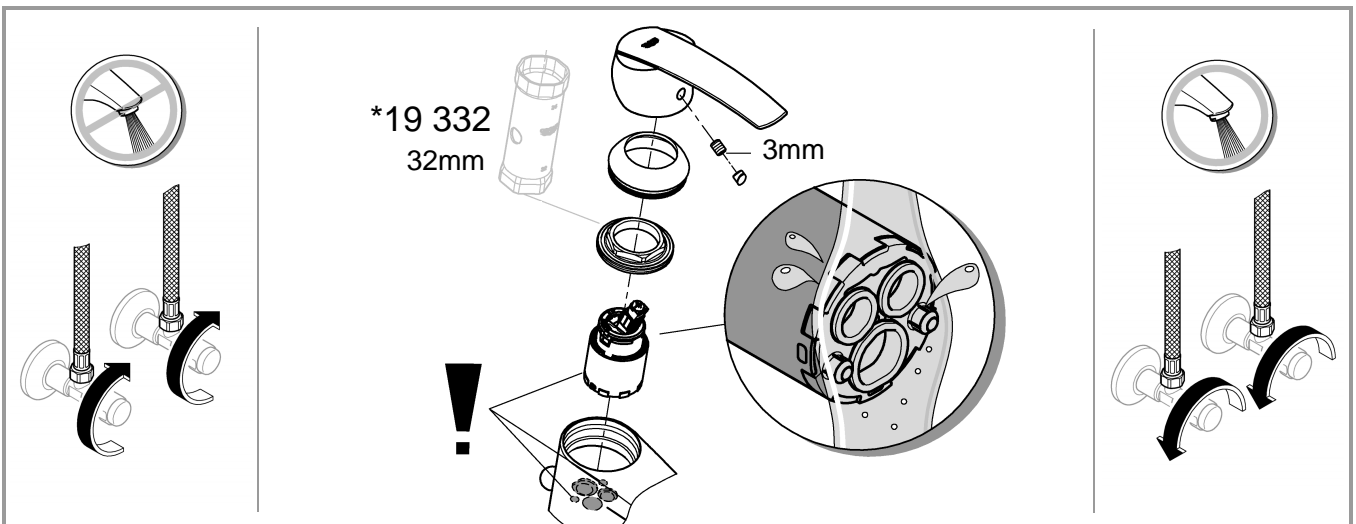
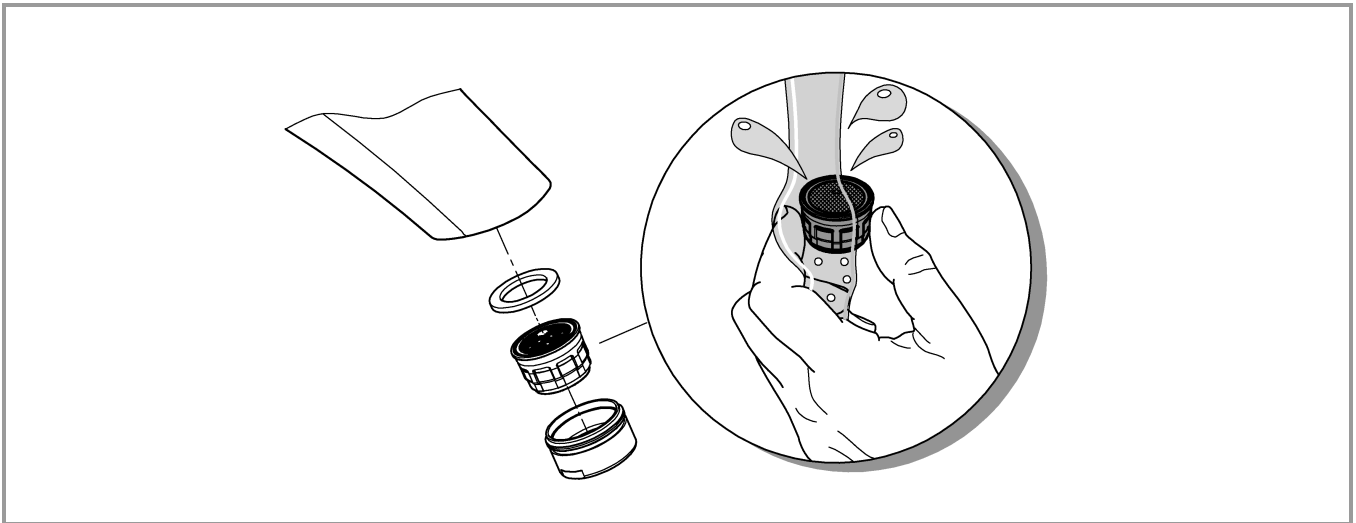
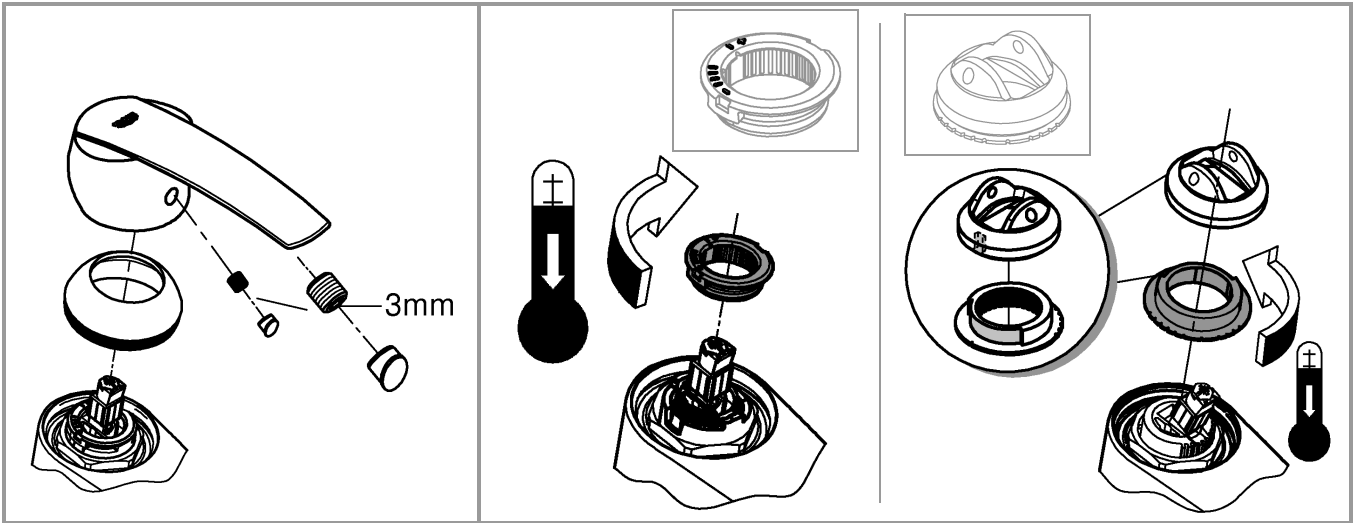
2



3













* =



*19 332 	32mm 	*19 017 	13mm 
--	---	--	---

