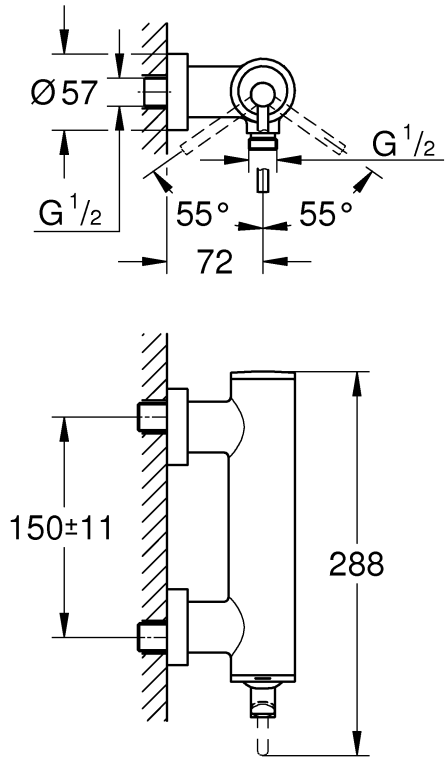
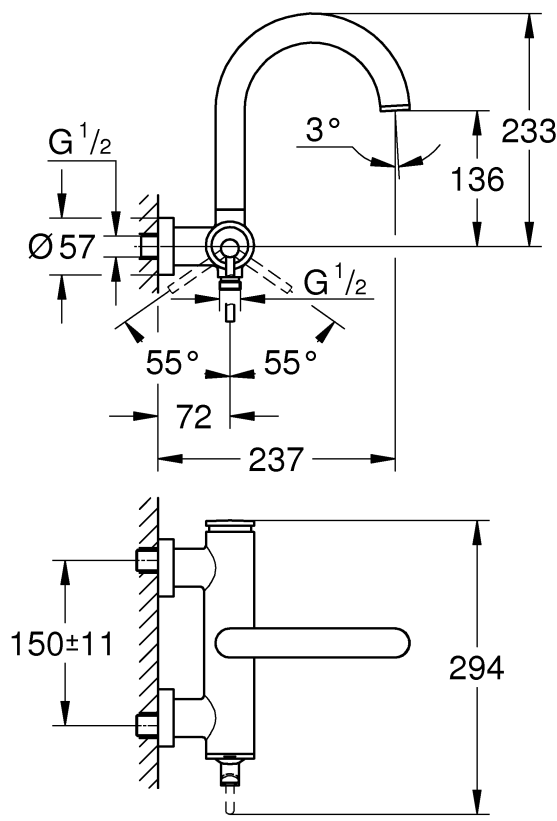




32 650

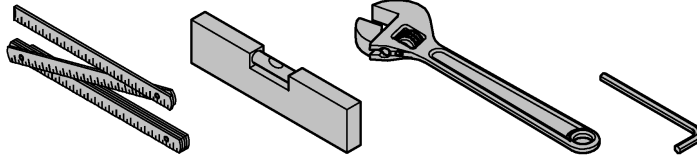
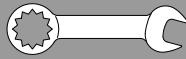
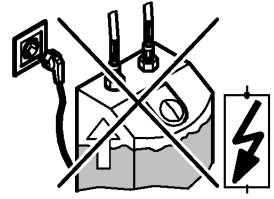
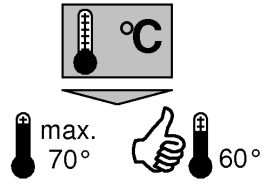
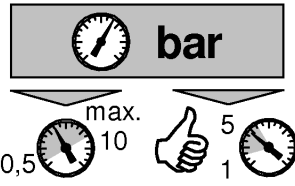
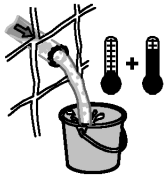


32 652

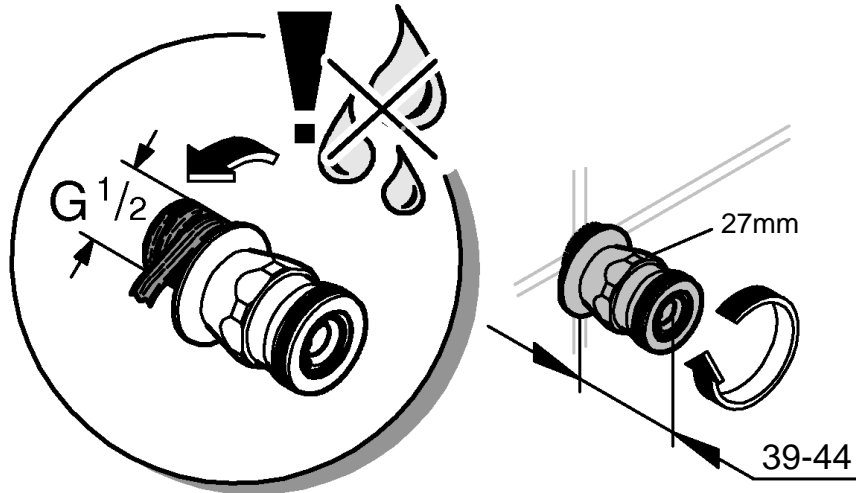
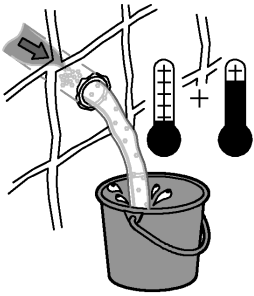




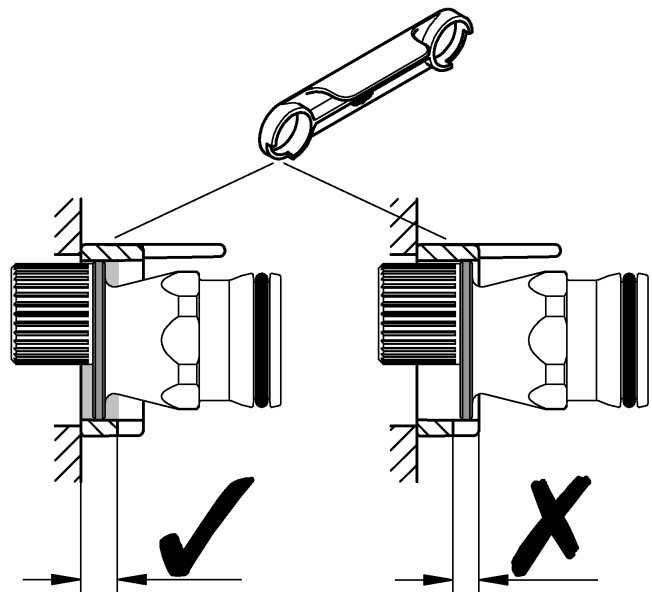
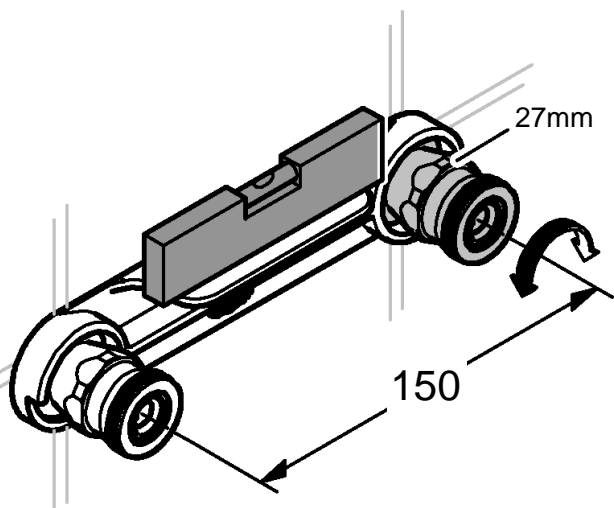
DIN 1988
DIN EN 806



1

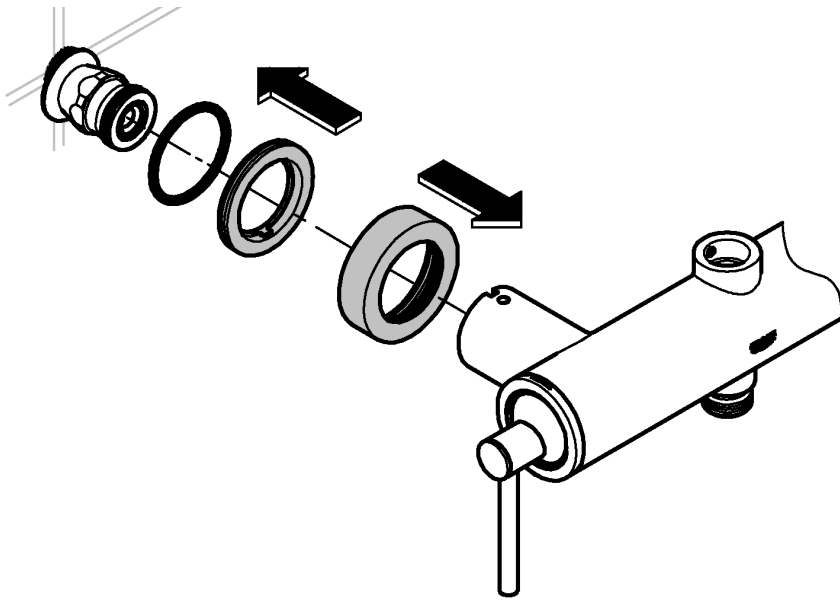


2

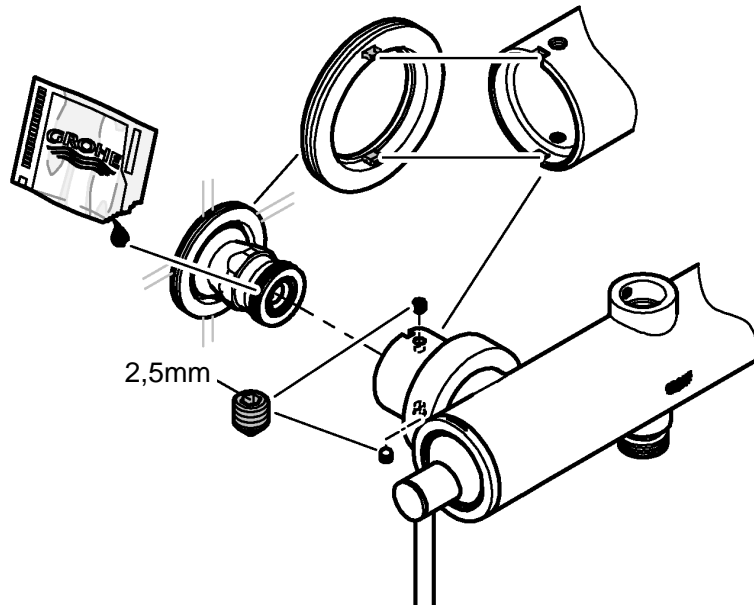




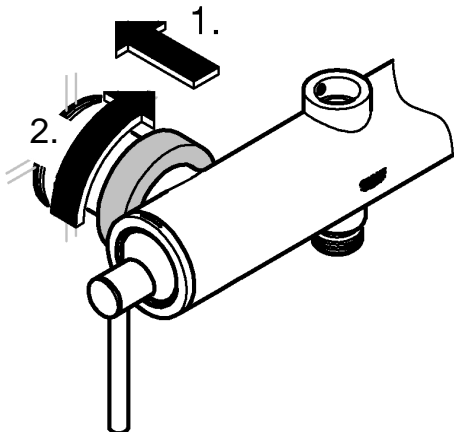
3



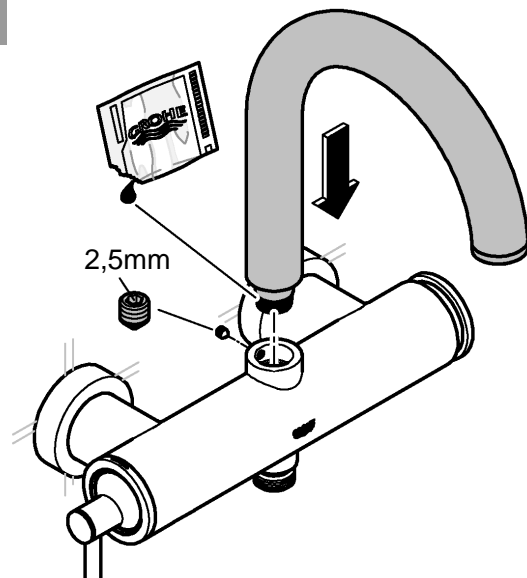
4



5

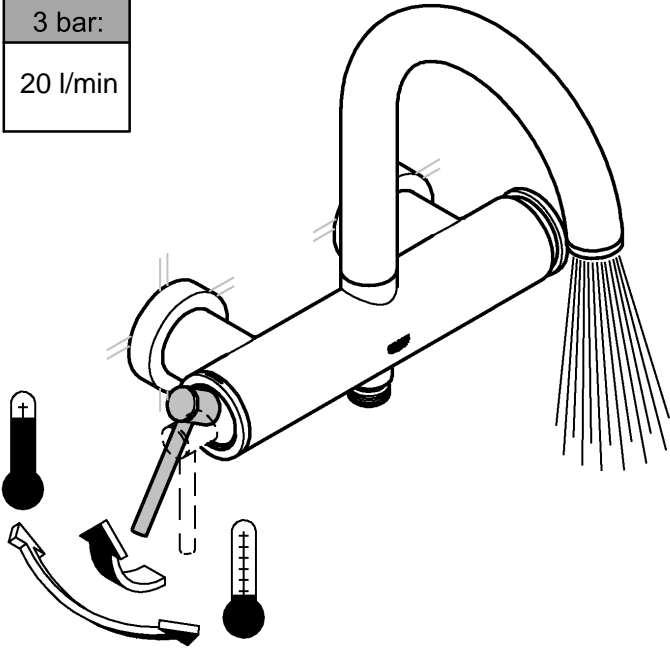


6

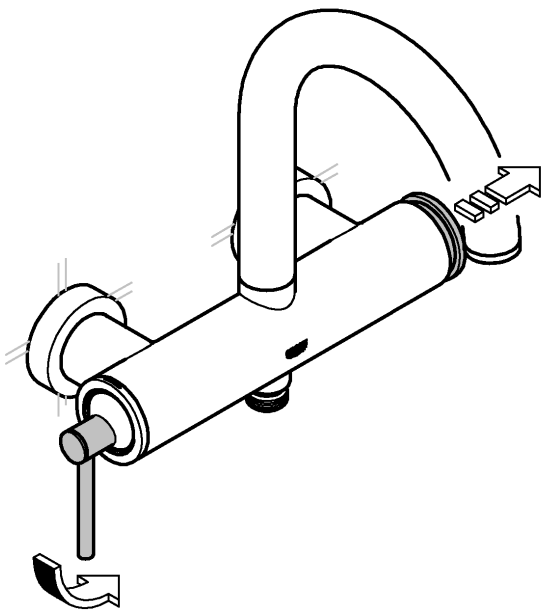
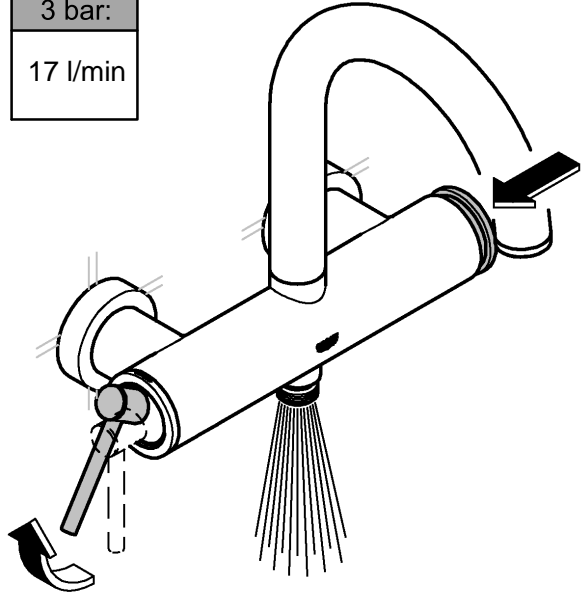





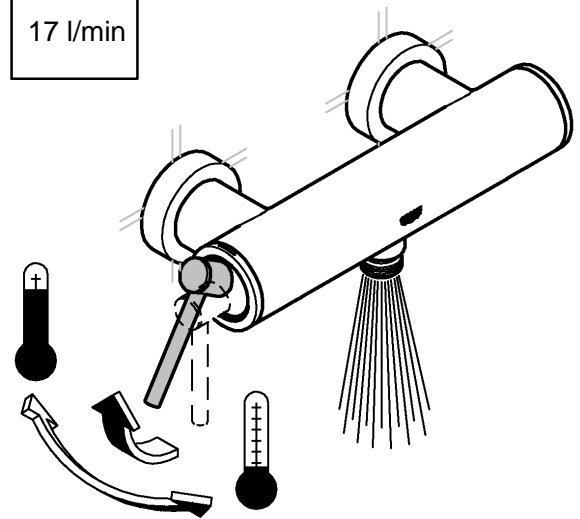

3 bar:
20 l/min

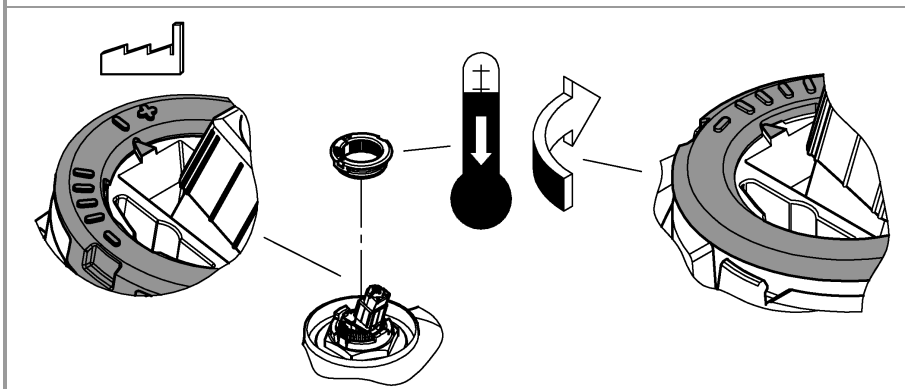
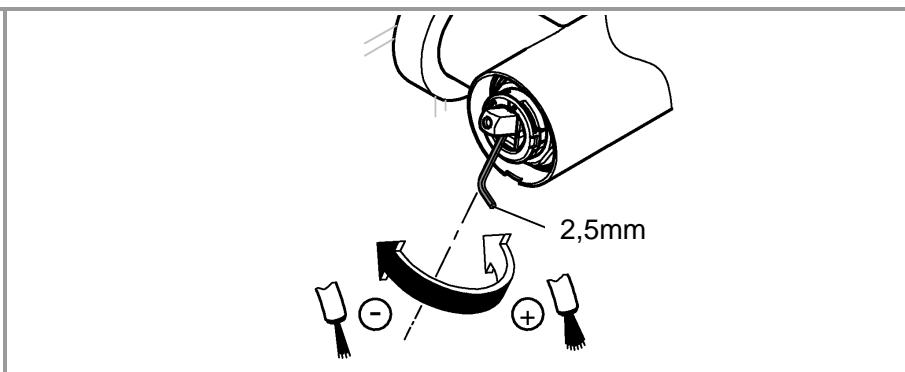
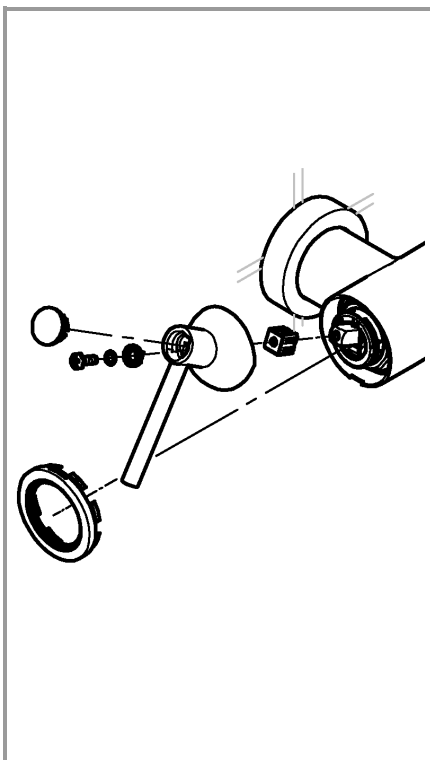
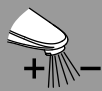



3 bar:
17 l/min

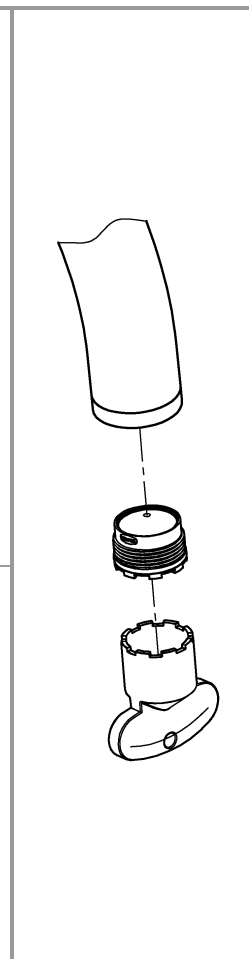
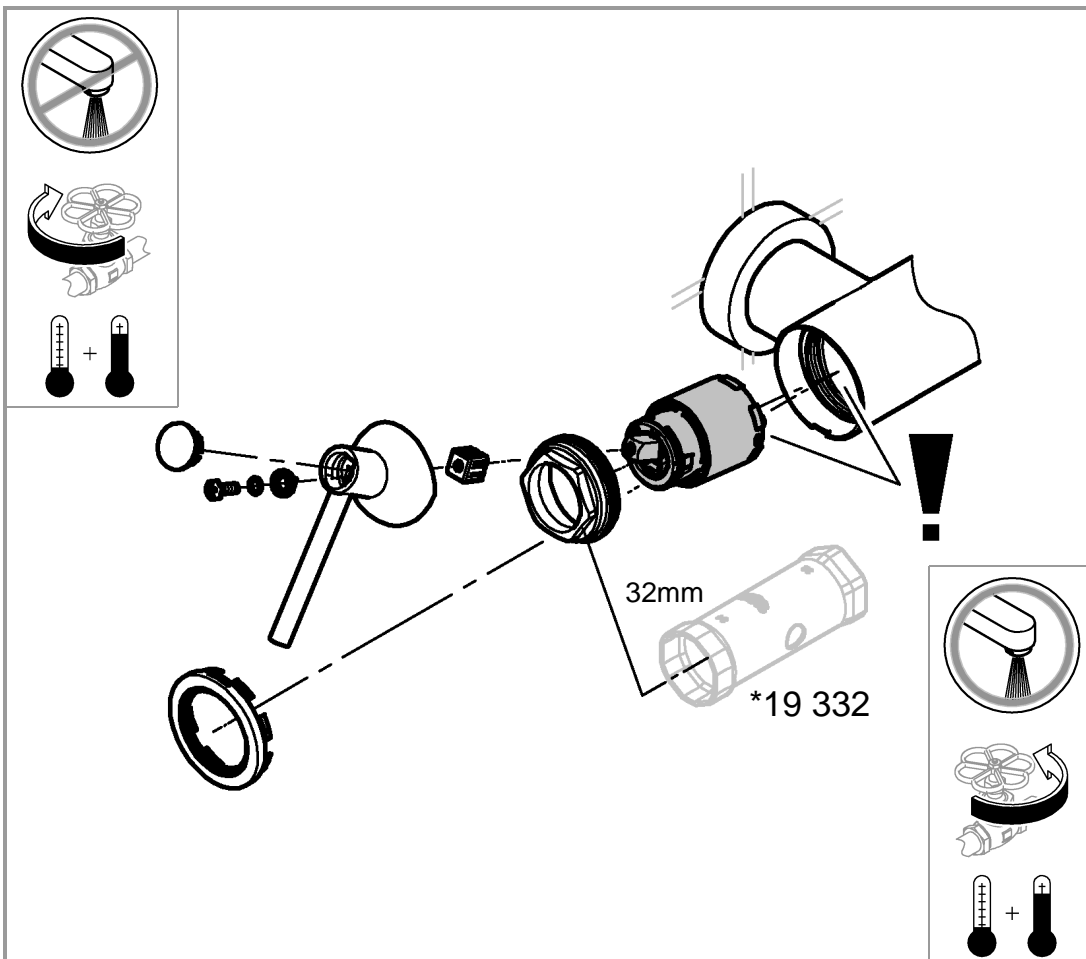


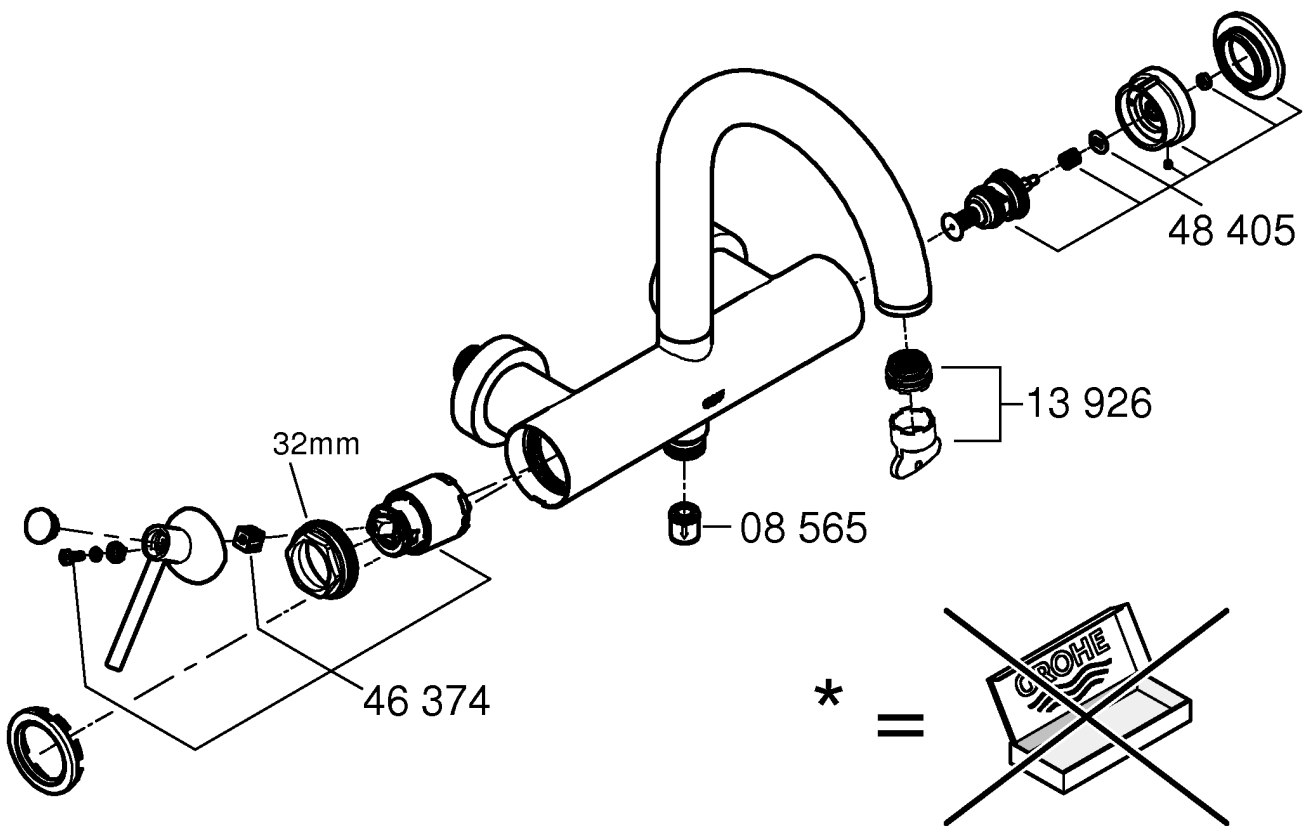

3 bar:
17 l/min



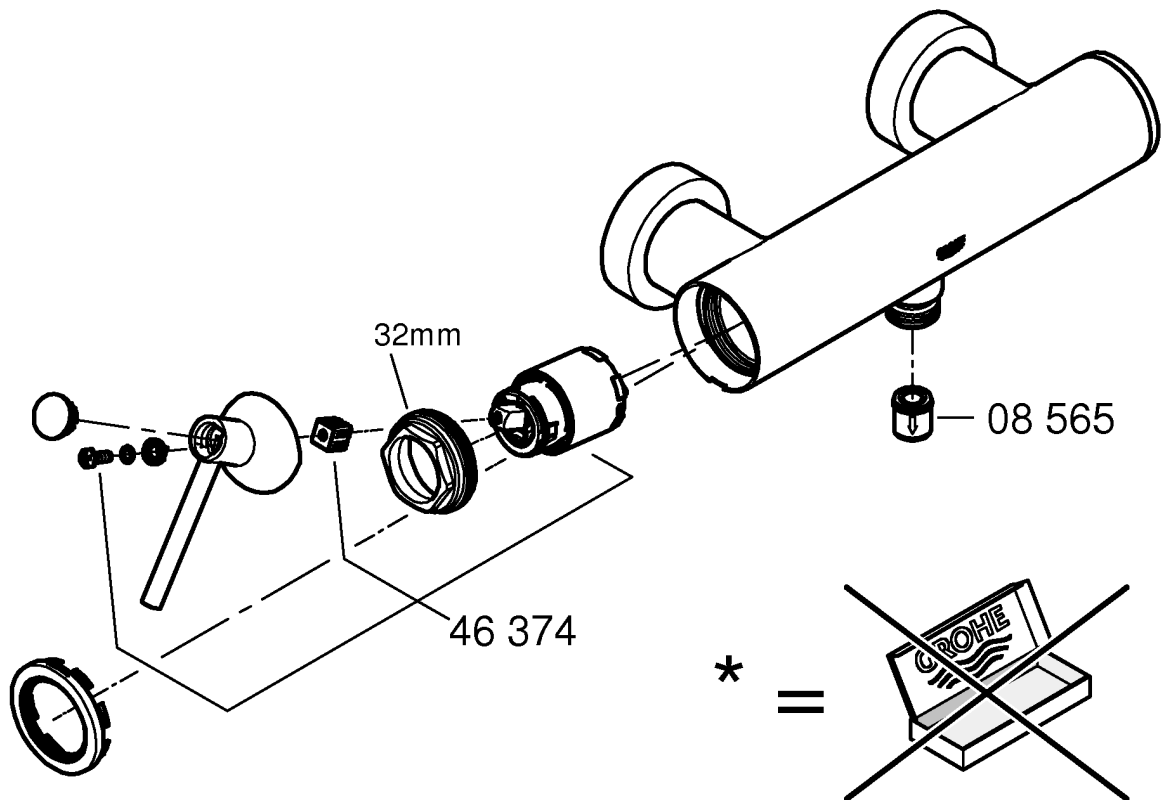




SERVICE





*19 332	32mm



<p>*19 332</p> 	<p>32mm</p> 
---	---