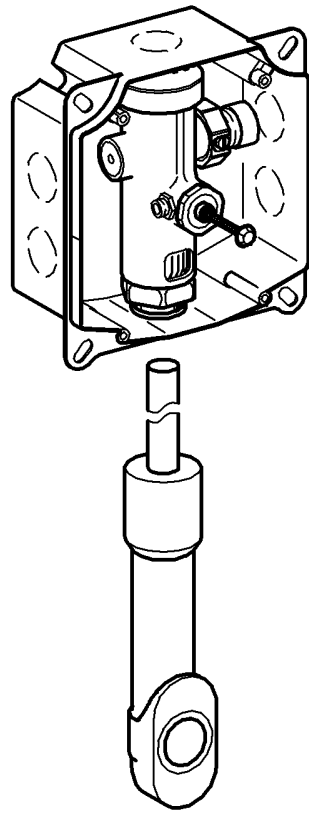
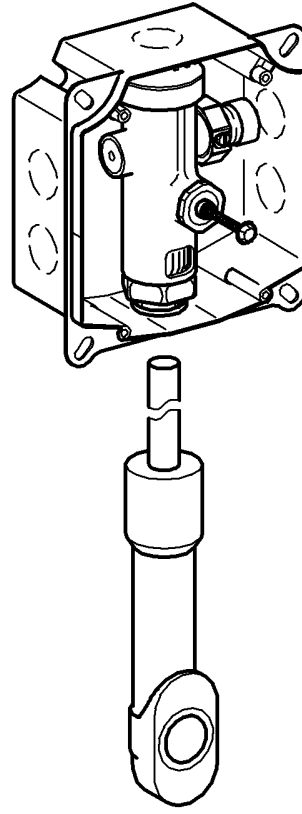


37 048



37 153
37 157
37 609

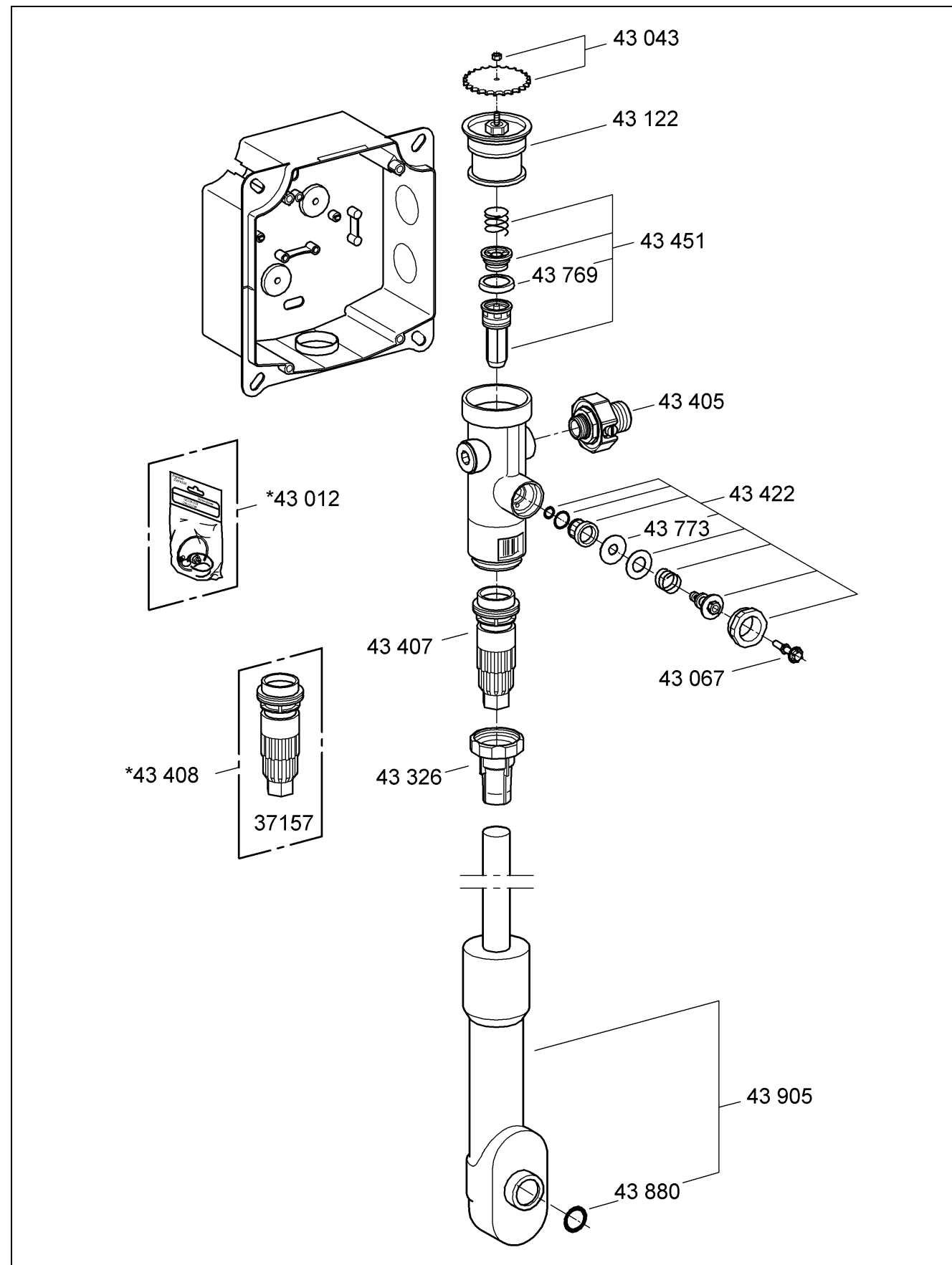


- D**1 **I**2
- GB**1 **NL**2
- F**1
- E**2

Design & Quality Engineering GROHE Germany

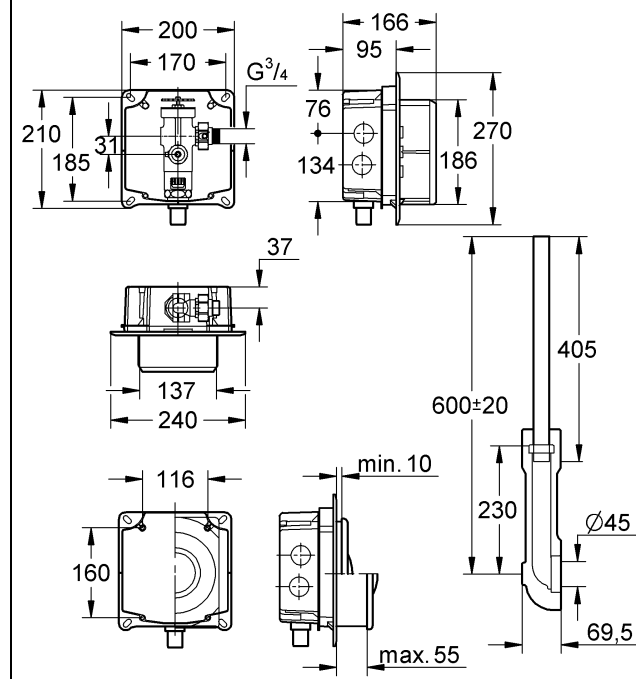
94.923.131/ÄM 211132/04.10



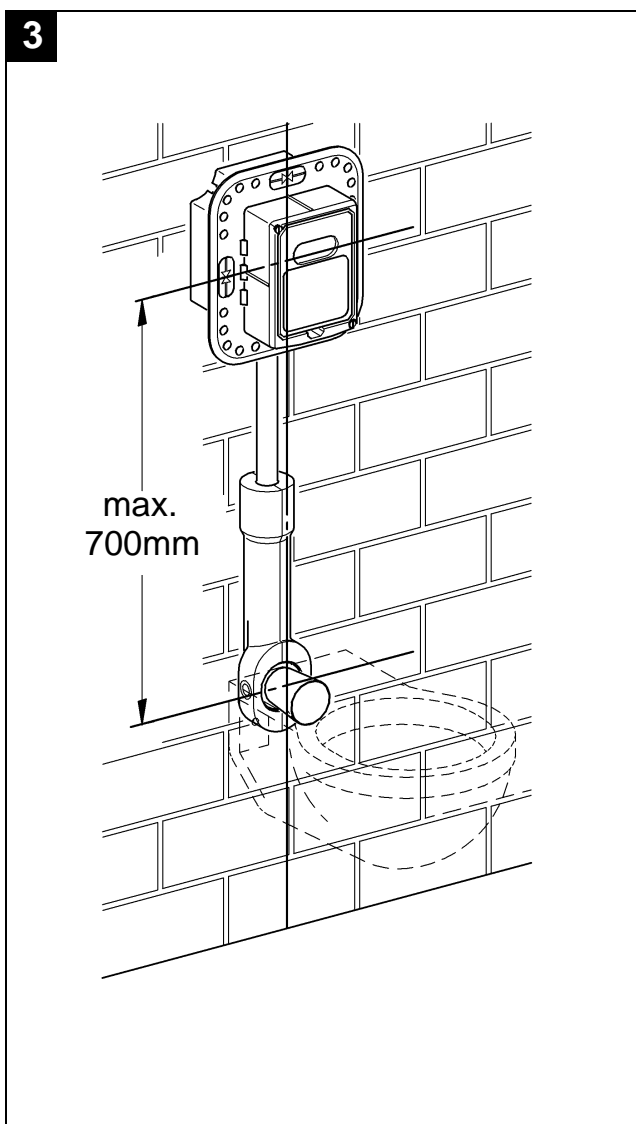
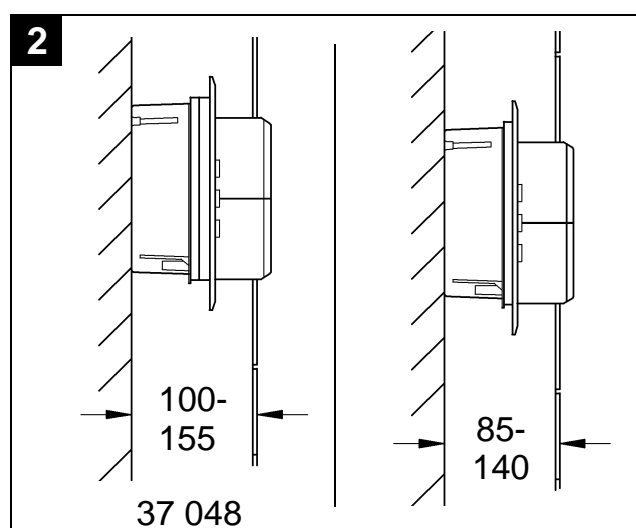
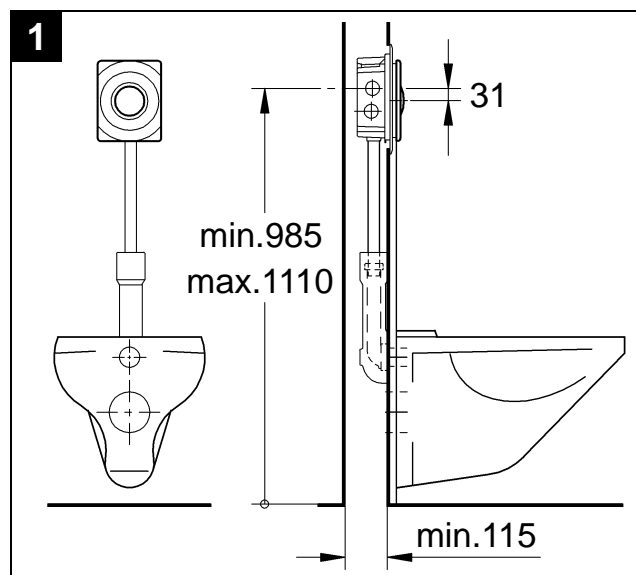
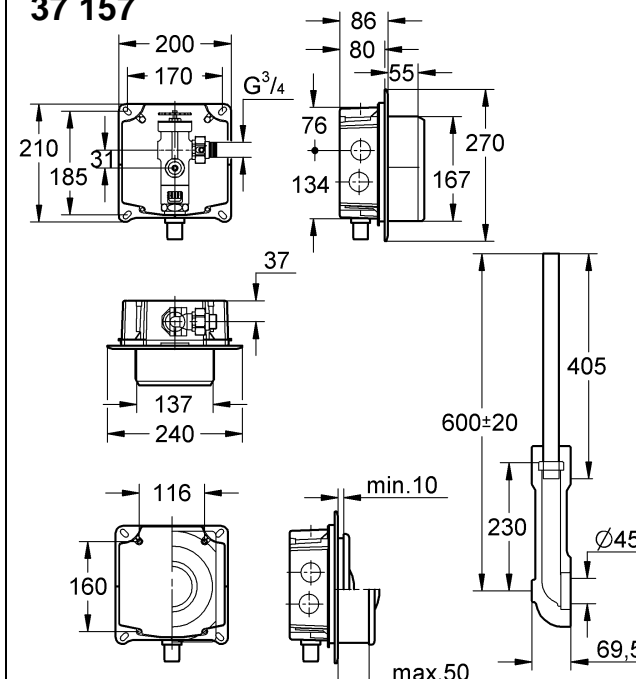


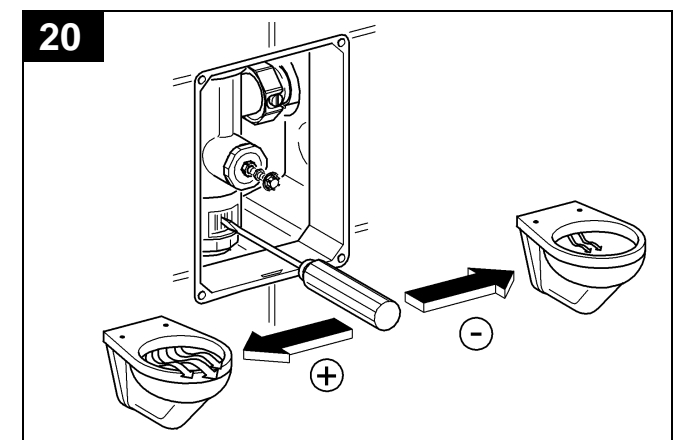
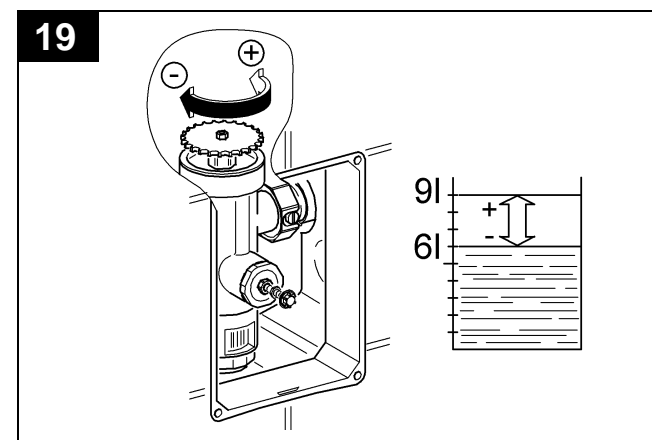
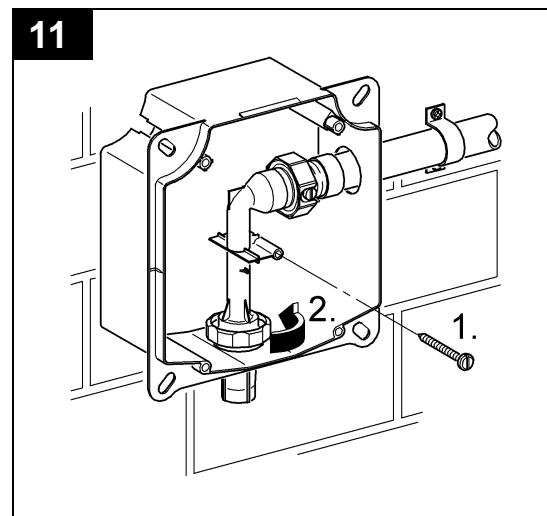
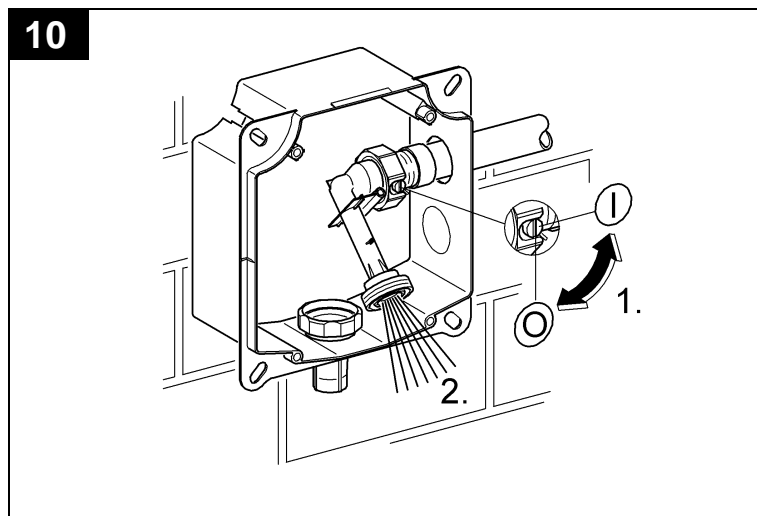
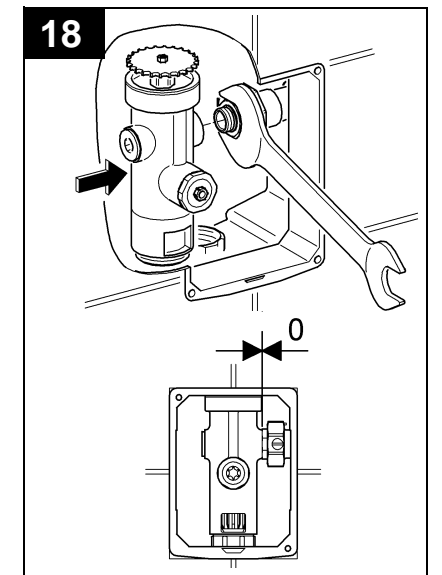
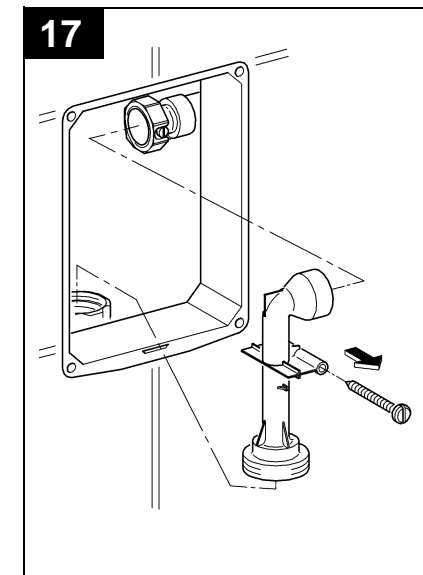
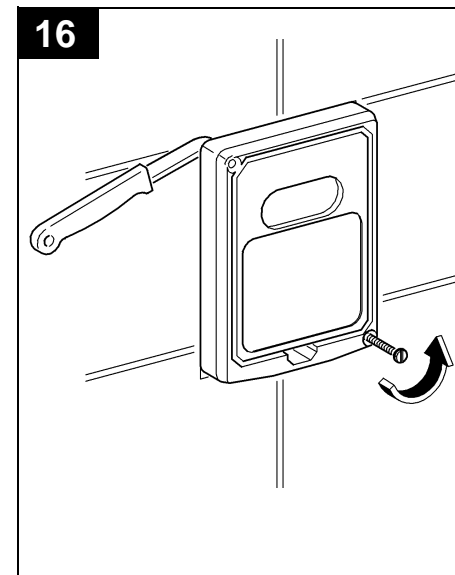
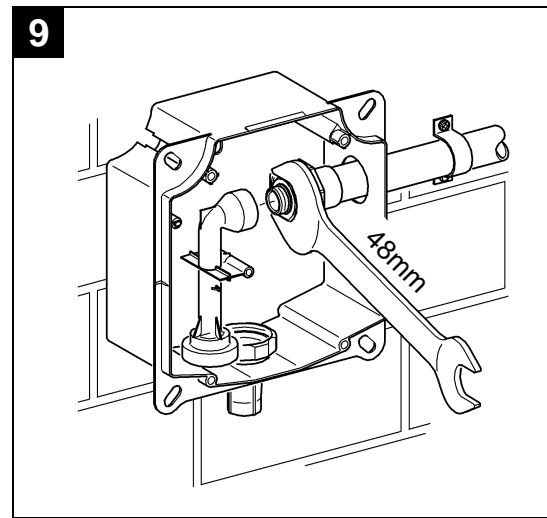
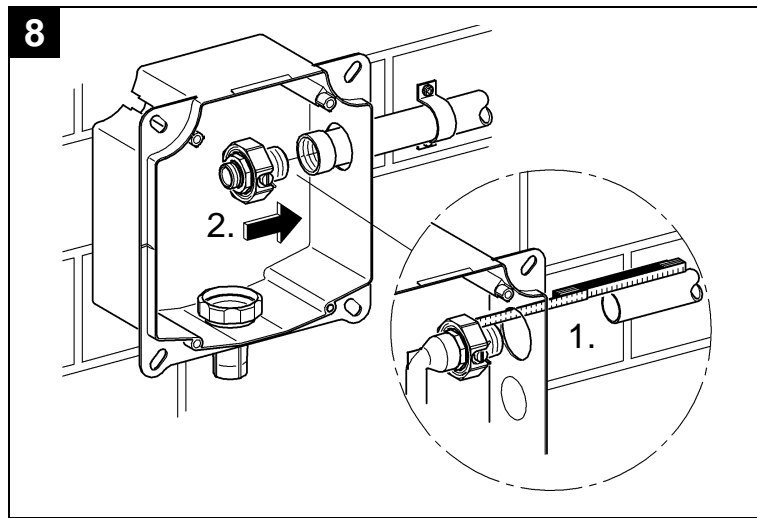
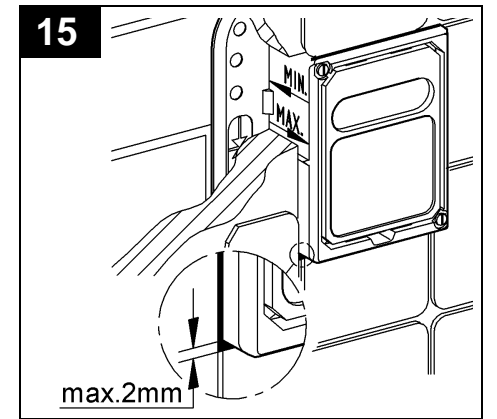
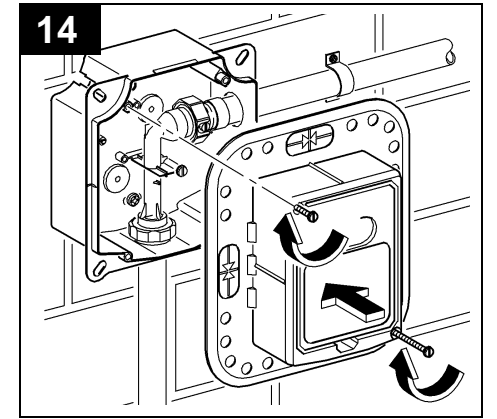
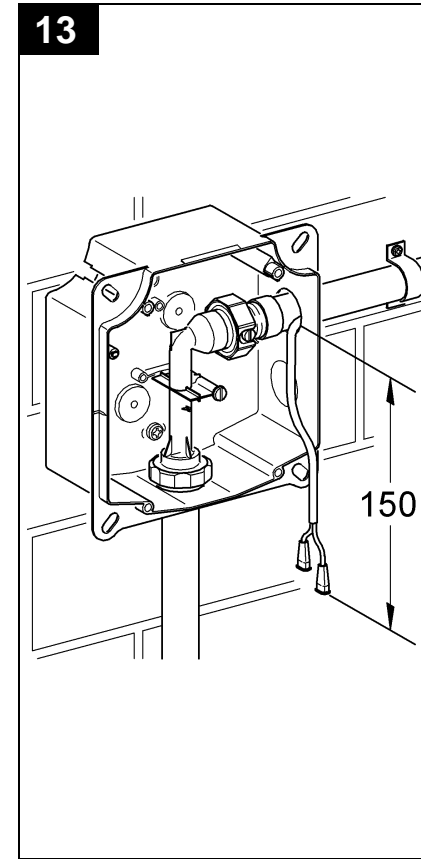
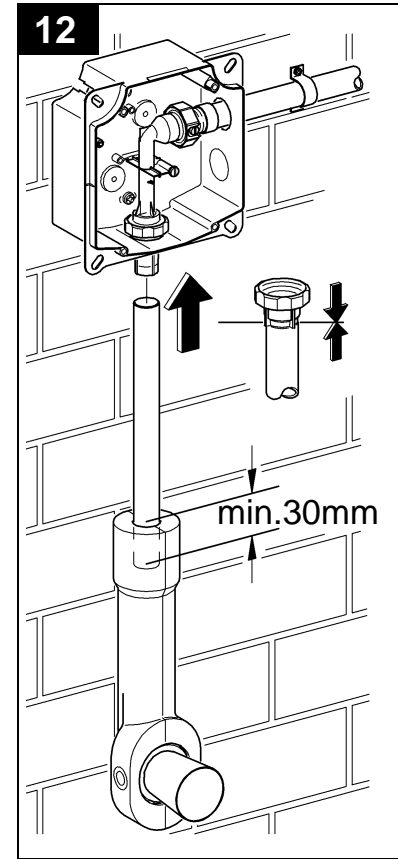
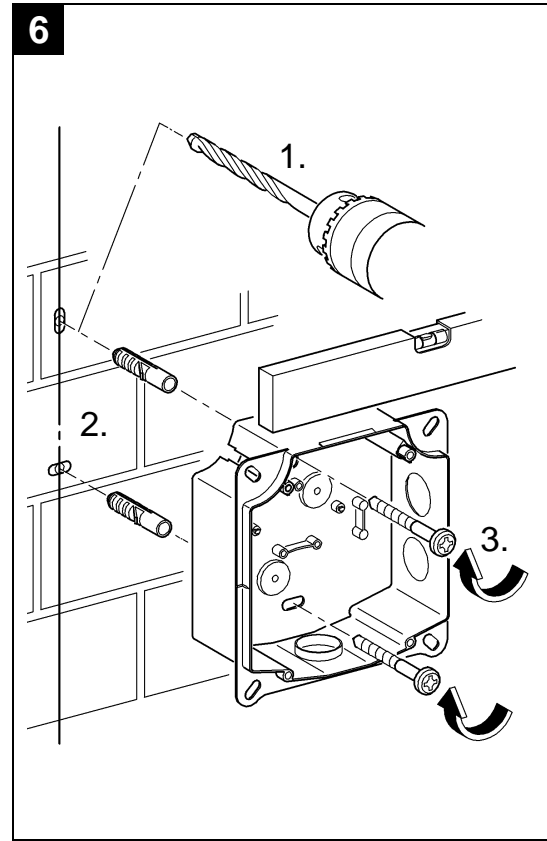
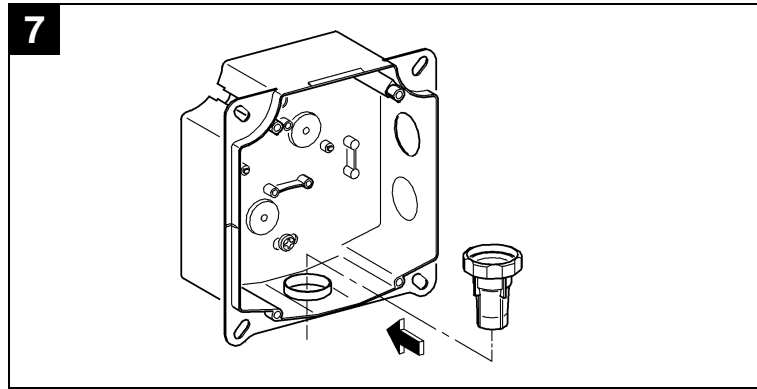
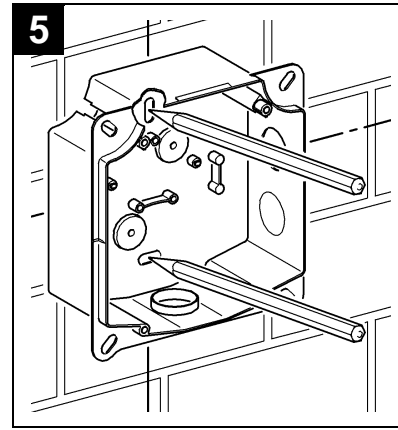
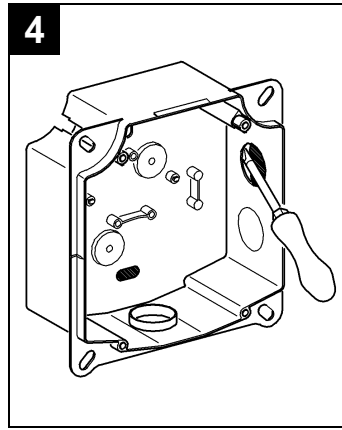
Bitte diese Anleitung an den Benutzer der Armatur weitergeben!
 Please pass these instructions on to the end user of the fitting!
 S.v.p remettre cette instruction à l'utilisateur de la robinetterie!

37 048



**37 153
37 157**





D

Funktionsteile der Armatur nicht einfetten

Störung	Ursache	Abhilfe
Dauerläufer	<ul style="list-style-type: none">• Düse verstopft• Kolbendichtung (A) beschädigt• Entlastungsventil (B) defekt	<ul style="list-style-type: none">- reinigen, Abb. 26- austauschen, Abb. 28- austauschen, Abb. 29
Keine Spülung oder Spülung zu kurz	<ul style="list-style-type: none">• Ledermanschette (C) ausgetrocknet oder beschädigt	<ul style="list-style-type: none">- aufweiten, Abb. 27 oder austauschen, Abb. 28
Wasser tritt am Entlastungsventil aus	<ul style="list-style-type: none">• Entlastungsventil (B) defekt	<ul style="list-style-type: none">- austauschen, Abb. 29

GB

Do not lubricate internal parts of the flush valve

Problem	Cause	Remedy
Valve does not close	<ul style="list-style-type: none">• Jet is clogged• Washer of piston (A) is defective• Relief valve (B) defective	<ul style="list-style-type: none">- clean, Fig. 26- exchange, Fig. 28- exchange, Fig. 29
No flush or flush too short	<ul style="list-style-type: none">• Leather washer (C) is dried out or defective	<ul style="list-style-type: none">- widen it, Fig. 27 or exchange, Fig. 28
Water comes out at relief valve	<ul style="list-style-type: none">• Relief valve (B) defective	<ul style="list-style-type: none">- exchange, Fig. 29

F

Ne pas graisser les pièces fonctionnelles du robinet

Dérangement	Cause	Elimination
Coule sans arrêt	<ul style="list-style-type: none">• Gicleur bouché• Joint de piston (A) endommagé• Soupape de décharge (B) défectueuse	<ul style="list-style-type: none">- nettoyer, fig. 26- remplacer, fig. 28- remplacer, fig. 29
Pas de rinçage ou rinçage trop court	<ul style="list-style-type: none">• Manchette en cuir (C) sèche ou endommagée	<ul style="list-style-type: none">- élargir, fig. 27 ou remplacer, fig. 28
L'eau jaillit sous la soupape de décharge	<ul style="list-style-type: none">• Soupape de décharge (B) défectueuse	<ul style="list-style-type: none">- remplacer, fig. 29

NL**Functionele onderdelen van de armatuur niet invetten**

Storing	oorzaak	verhelpen
water blijft stromen	<ul style="list-style-type: none"> • sproeikop verstopt • dichting van de zuiger (A) beschadigd • ontlastklep (B) defect 	<ul style="list-style-type: none"> - reinigen, afb. 26 - vervangen, afb. 28 - vervangen, afb. 29
geen spoeling of spoeling te kort	<ul style="list-style-type: none"> • leren pakking (C) uitgedroogd of beschadigd 	<ul style="list-style-type: none"> - oprekken, afb. 27 - of vervangen, afb. 28
er komt water uit de ontlastklep	<ul style="list-style-type: none"> • ontlastklep (B) defect 	<ul style="list-style-type: none"> - vervangen, afb. 29

I**Non ingrassare le parti funzionanti dei raccordi**

Guasto	Causa	Rimedio
Erogazione continua	<ul style="list-style-type: none"> • Ugello otturato • Guarnizione pistone (A) difettosa • Valvola limitatrice (B) difettosa 	<ul style="list-style-type: none"> - pulire, fig. 26 - sostituire, fig. 28 - sostituire, fig. 29
Assenza di scarico o scarico troppo breve	<ul style="list-style-type: none"> • Guarnizione di cuoio (C) essiccata o danneggiata 	<ul style="list-style-type: none"> - allargare, fig. 27 - o sostituire, fig. 28
Perdita di acqua sulla valvola limitatrice	<ul style="list-style-type: none"> • Valvola limitatrice (B) difettosa 	<ul style="list-style-type: none"> - sostituire, fig. 29

E**No engrasar las partes funcionales de la grifería**

Avería	Causa	Solución
Funcionamiento permanente	<ul style="list-style-type: none"> • Tobera atascada • Em paquetadura del ém bolo (A) dañada • Válvula de descarga (B) estropeada 	<ul style="list-style-type: none"> - limpiar, fig. 26 - cambiar, fig. 28 - cambiar, fig. 29
No hay descarga o es muy breve	<ul style="list-style-type: none"> • Junta de cuero (C) seca o dañada 	<ul style="list-style-type: none"> - ensanchar, fig. 27 - o cambiar, fig. 28
Sale agua por la válvula de descarga	<ul style="list-style-type: none"> • Válvula de descarga (B) estropeada 	<ul style="list-style-type: none"> - cambiar, fig. 29

