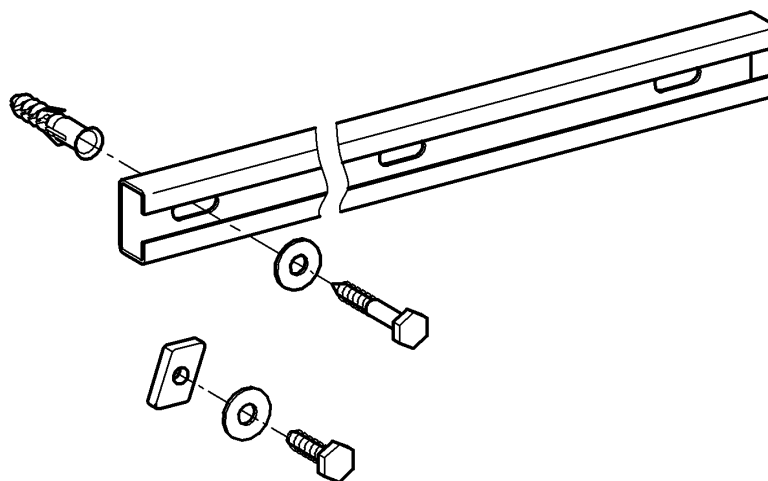


37 310

Rapid SL



Rapid SL

Design & Quality Engineering GROHE Germany

96.431.131/ÄM 225587/11.12

GROHE

ENJOY WATER®

i

