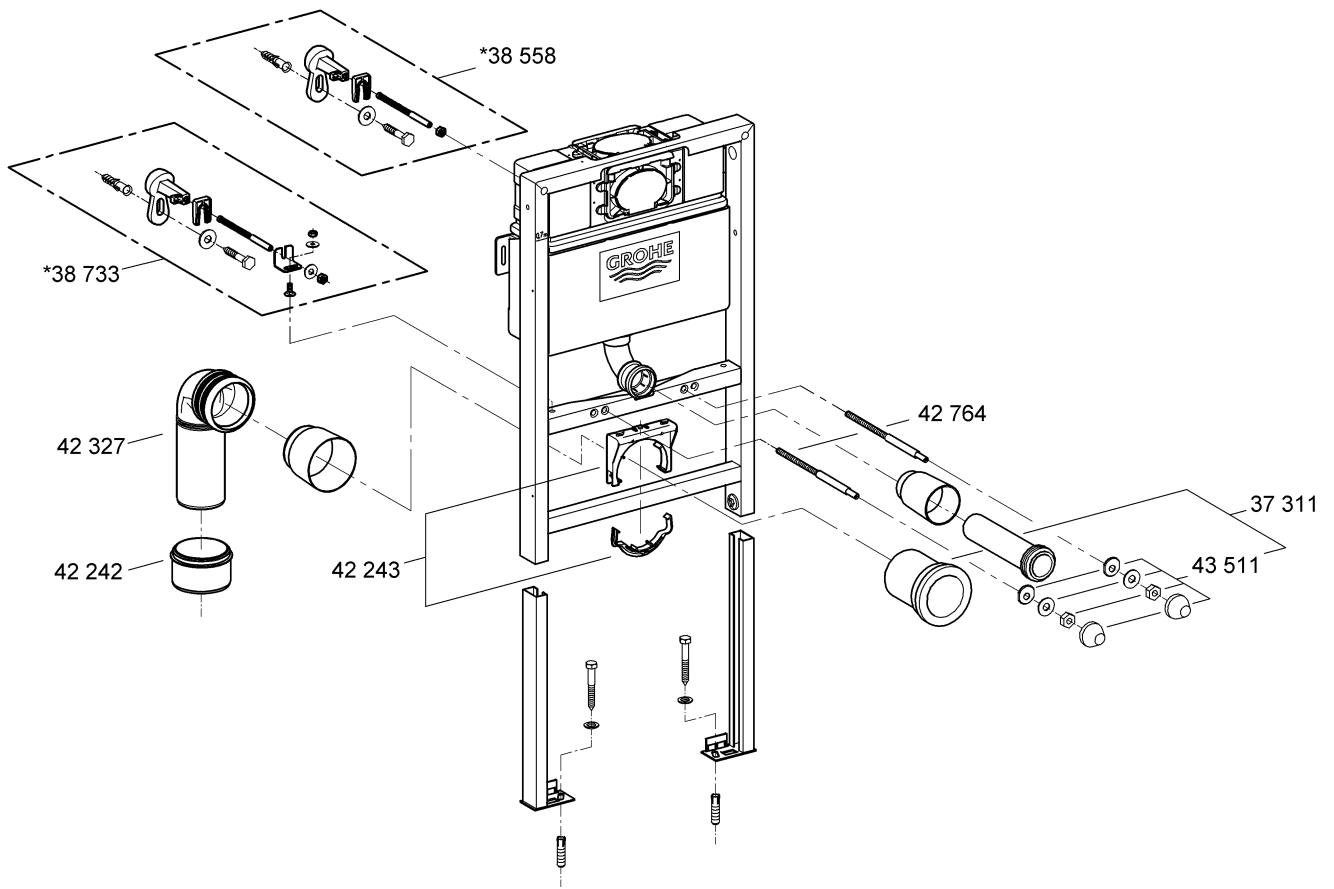
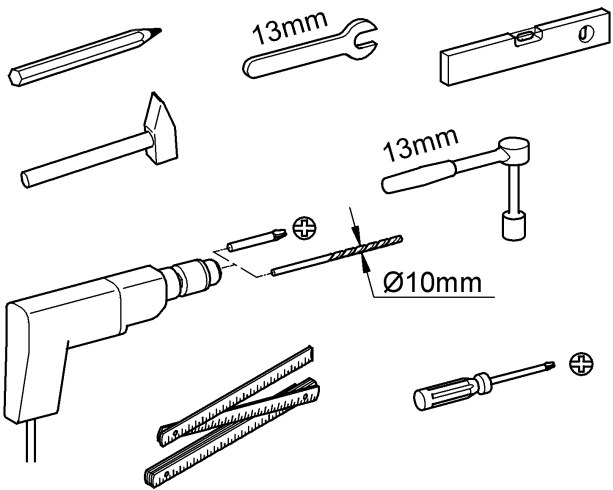


Design & Quality Engineering GROHE Germany

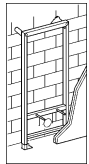
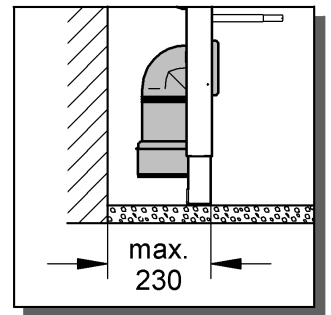
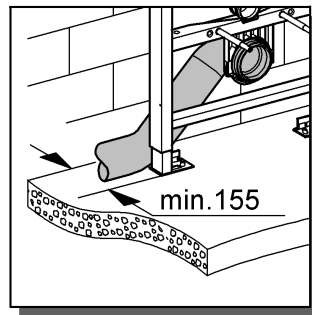
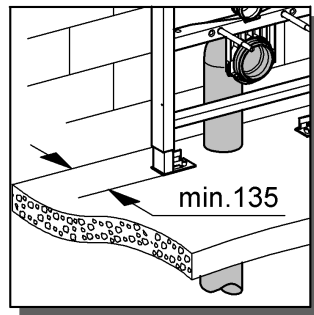
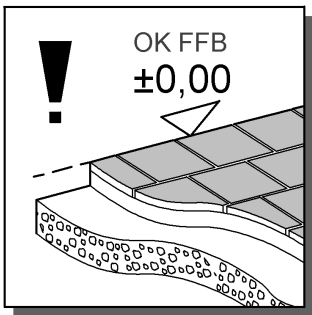
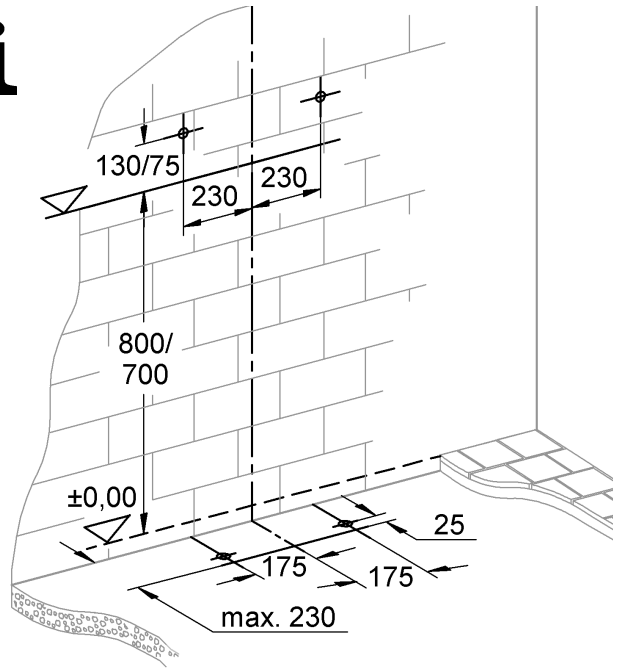


94.503.831/ÄM 218692/10.10

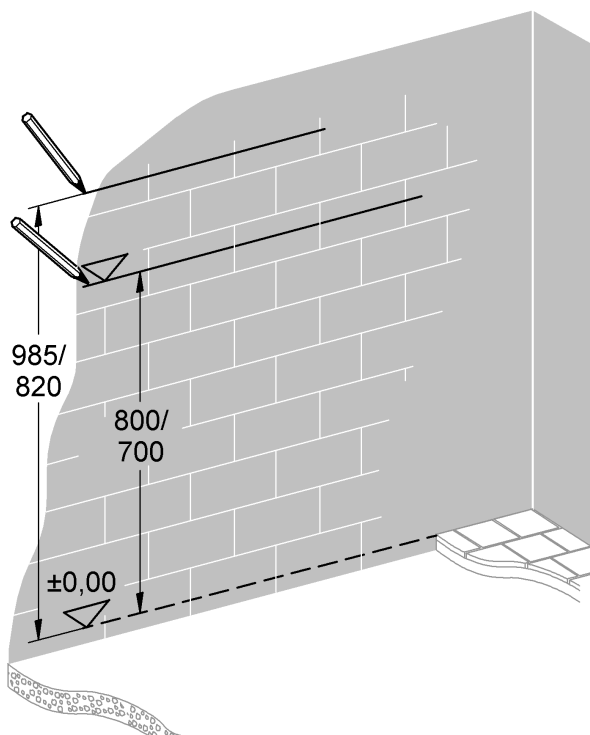




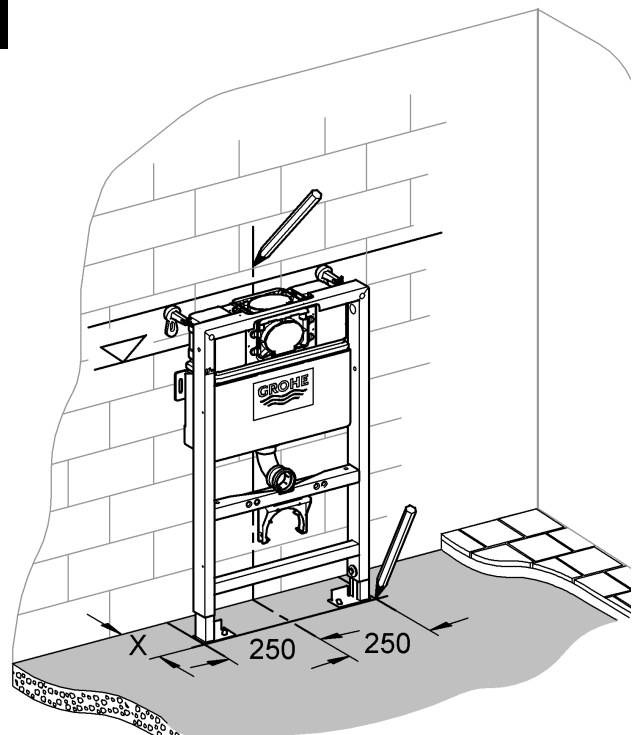
i

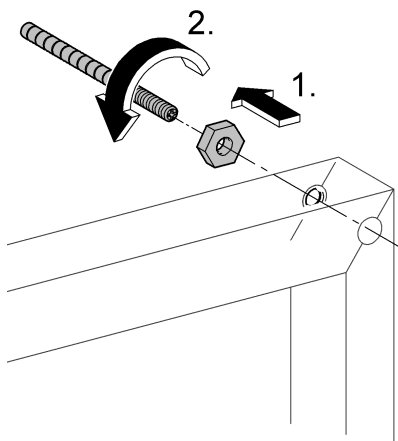
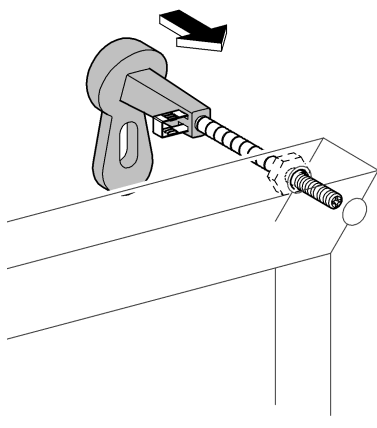
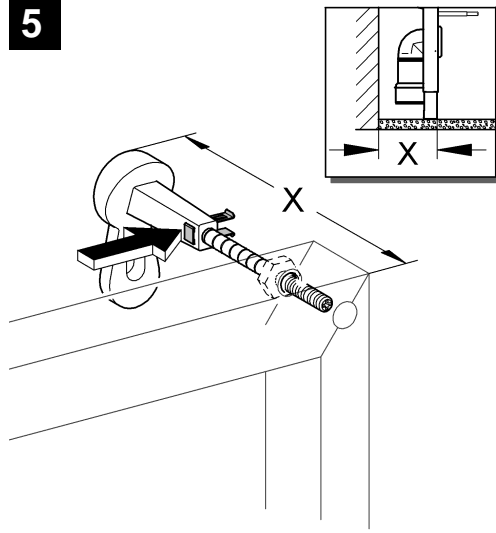
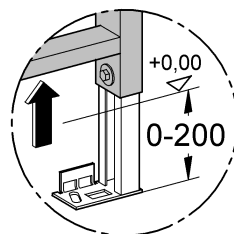
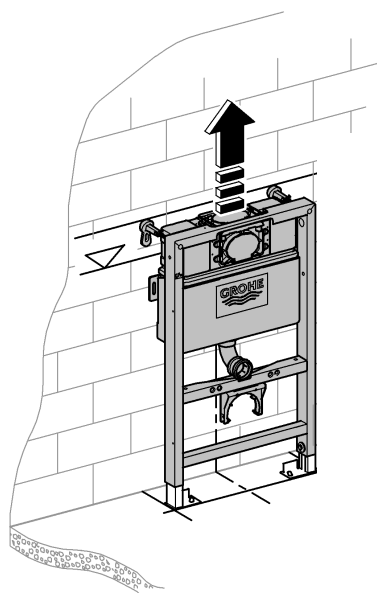
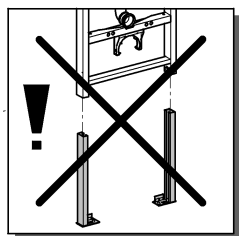
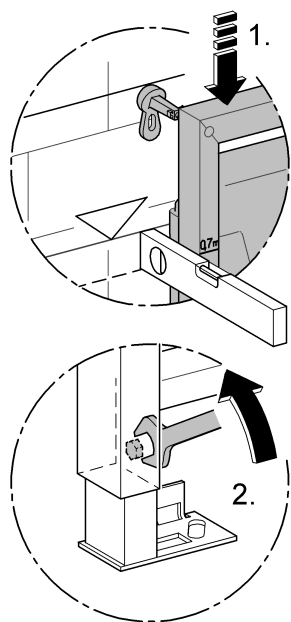
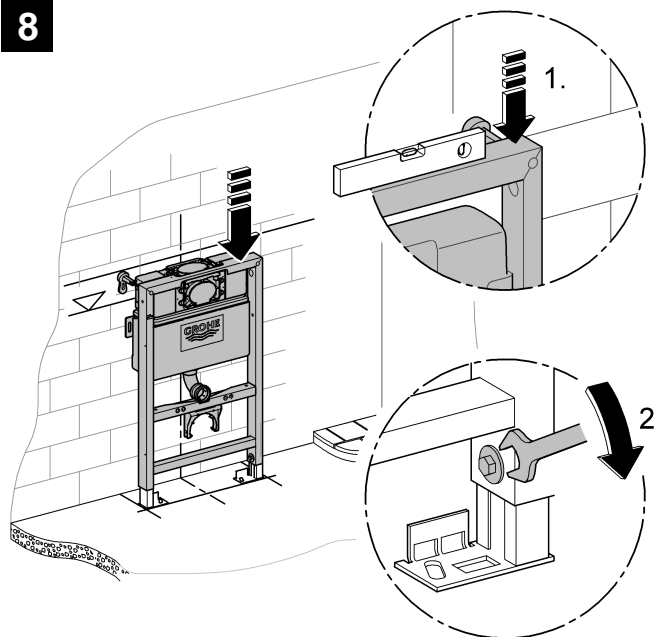


1

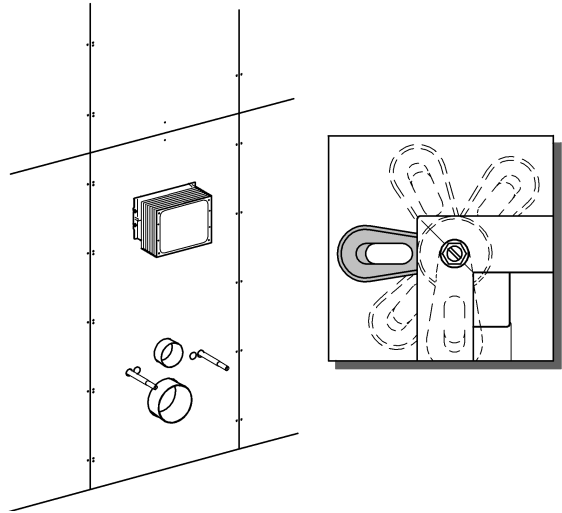
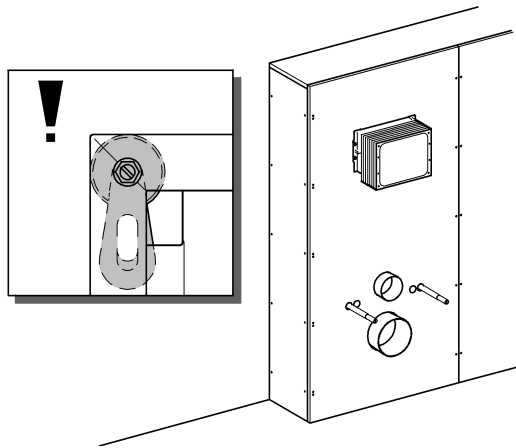


2

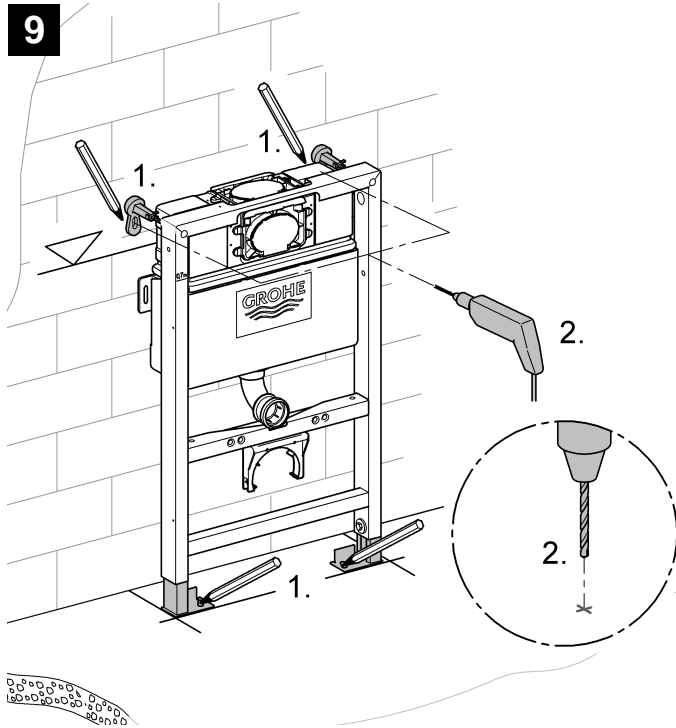


3**4****5****6****7****8**

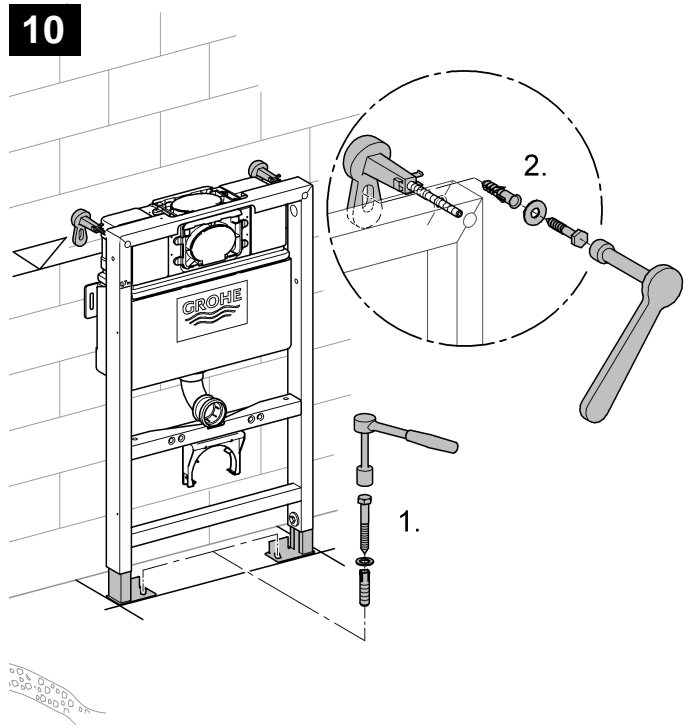
i



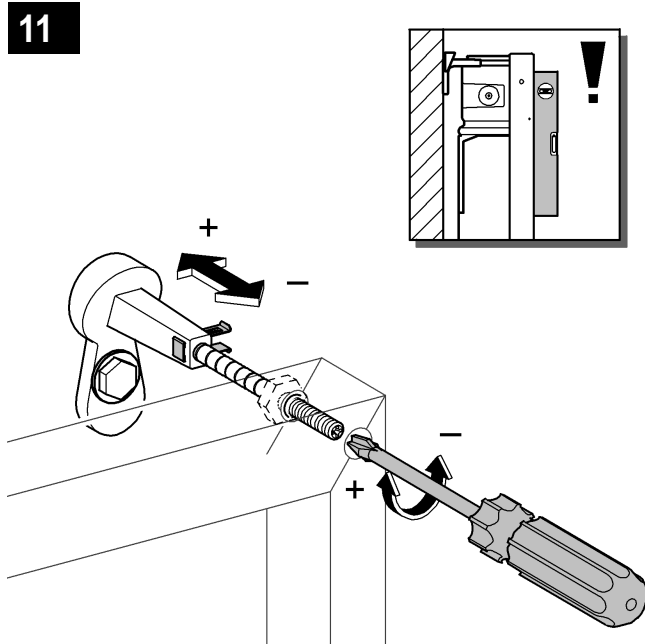
9



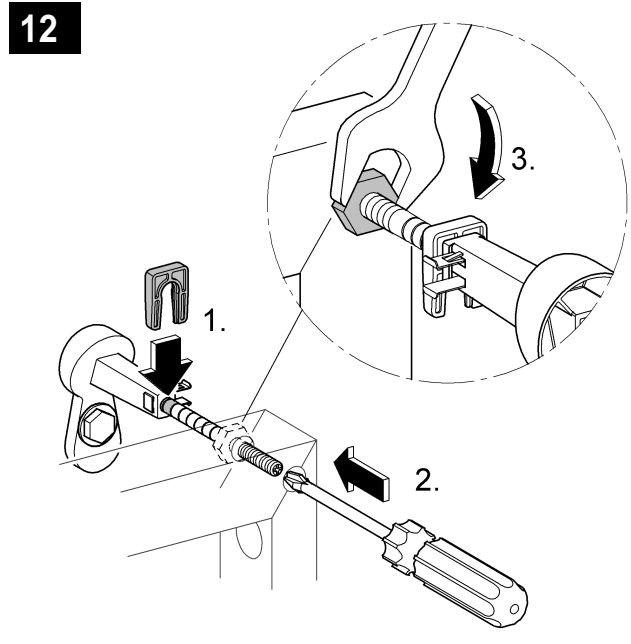
10

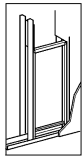


11

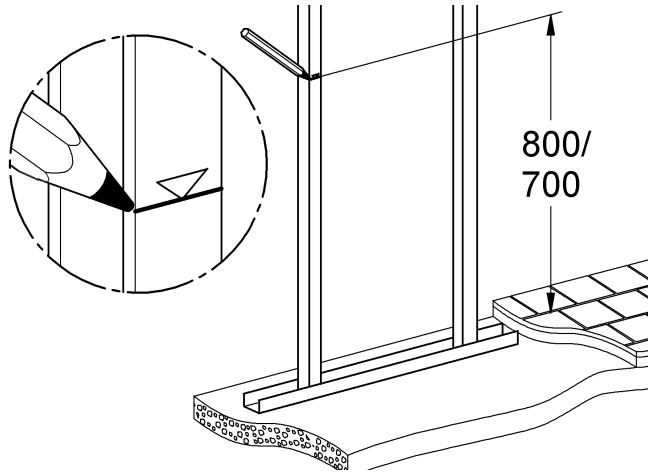


12

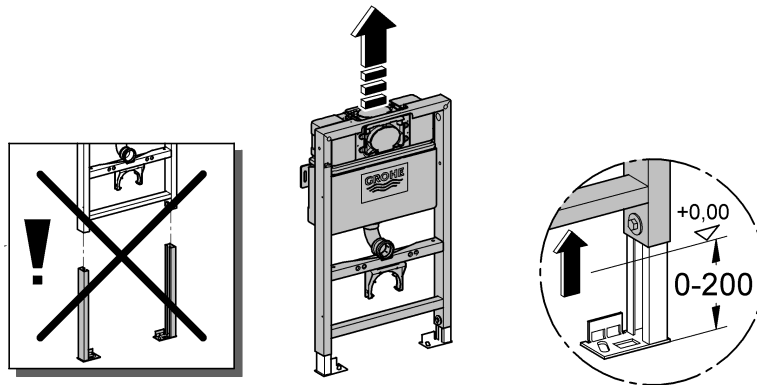




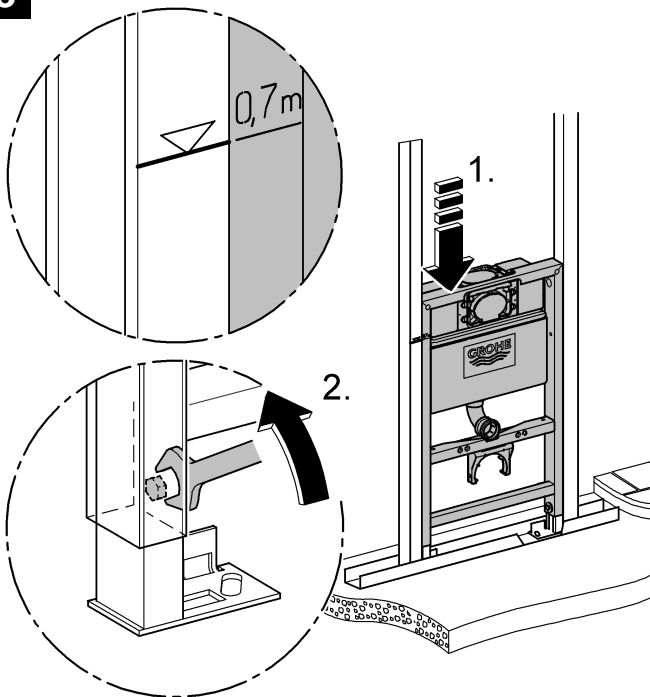
1



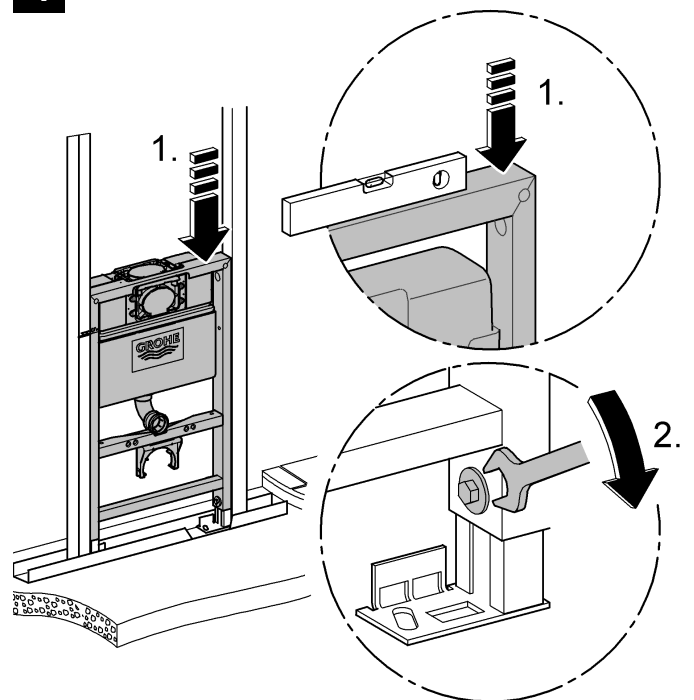
2



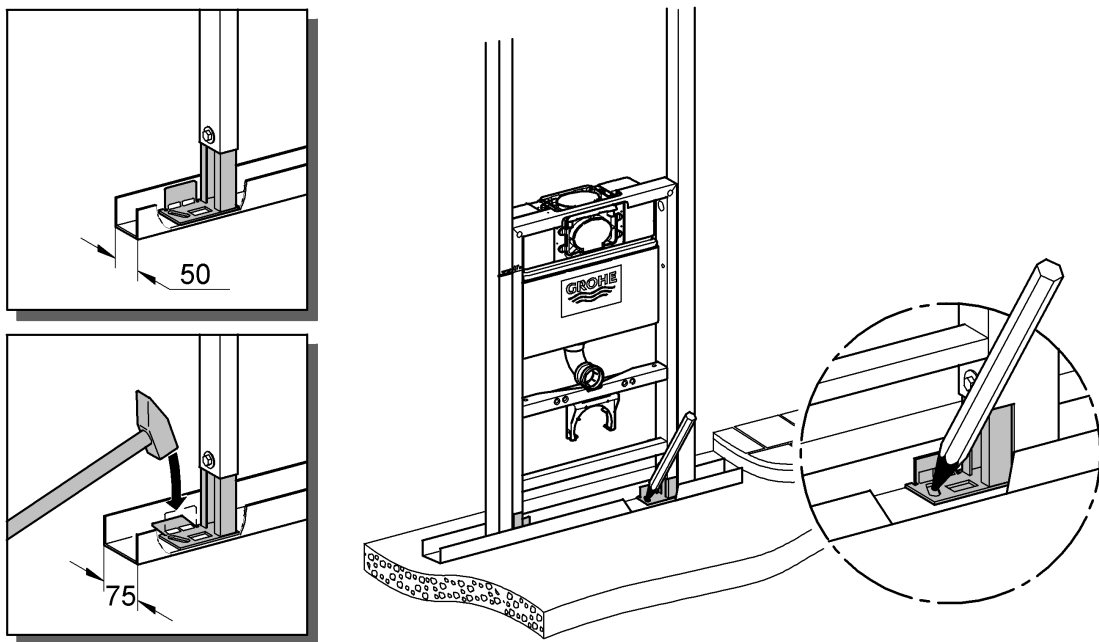
3



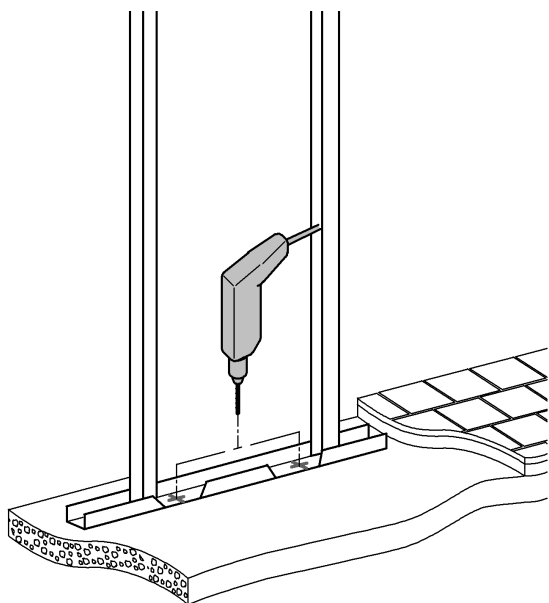
4



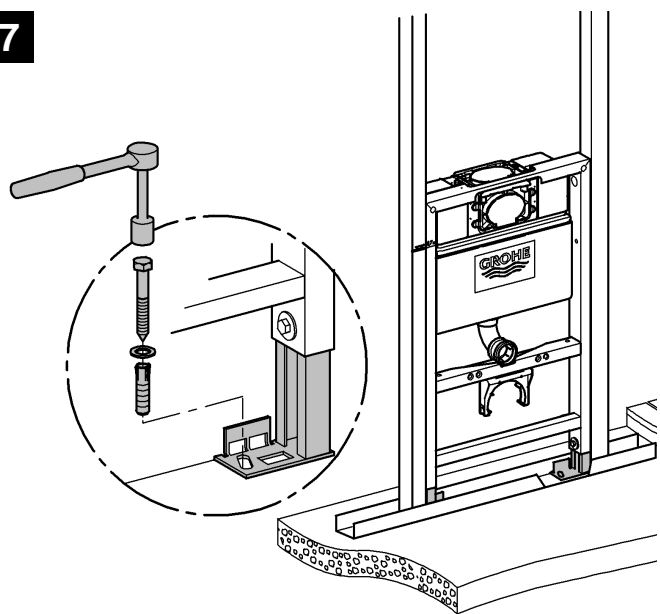
5



6



7



8

