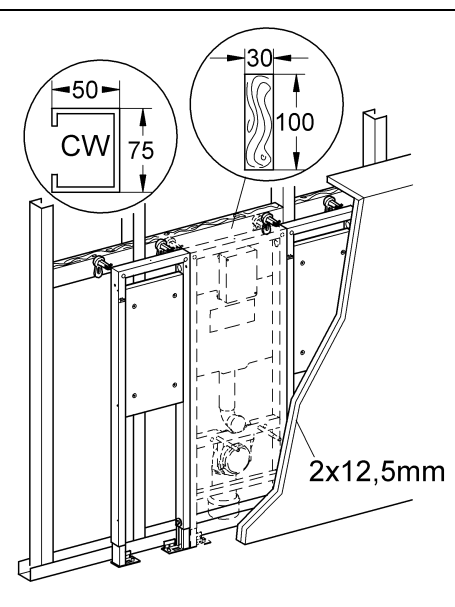
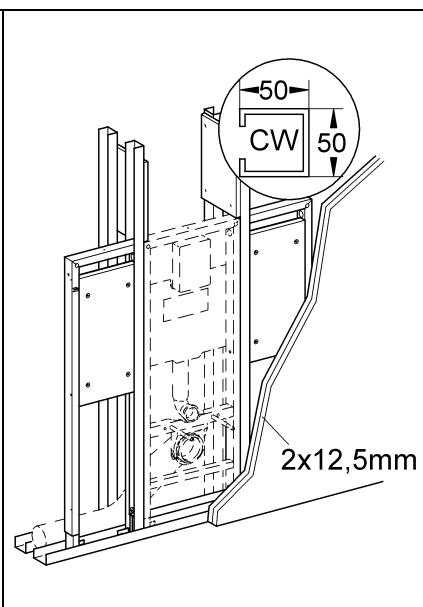
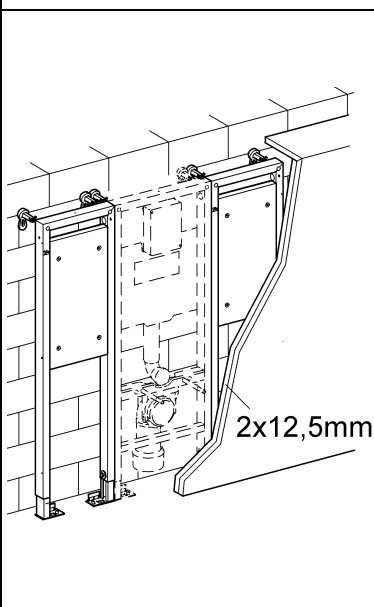
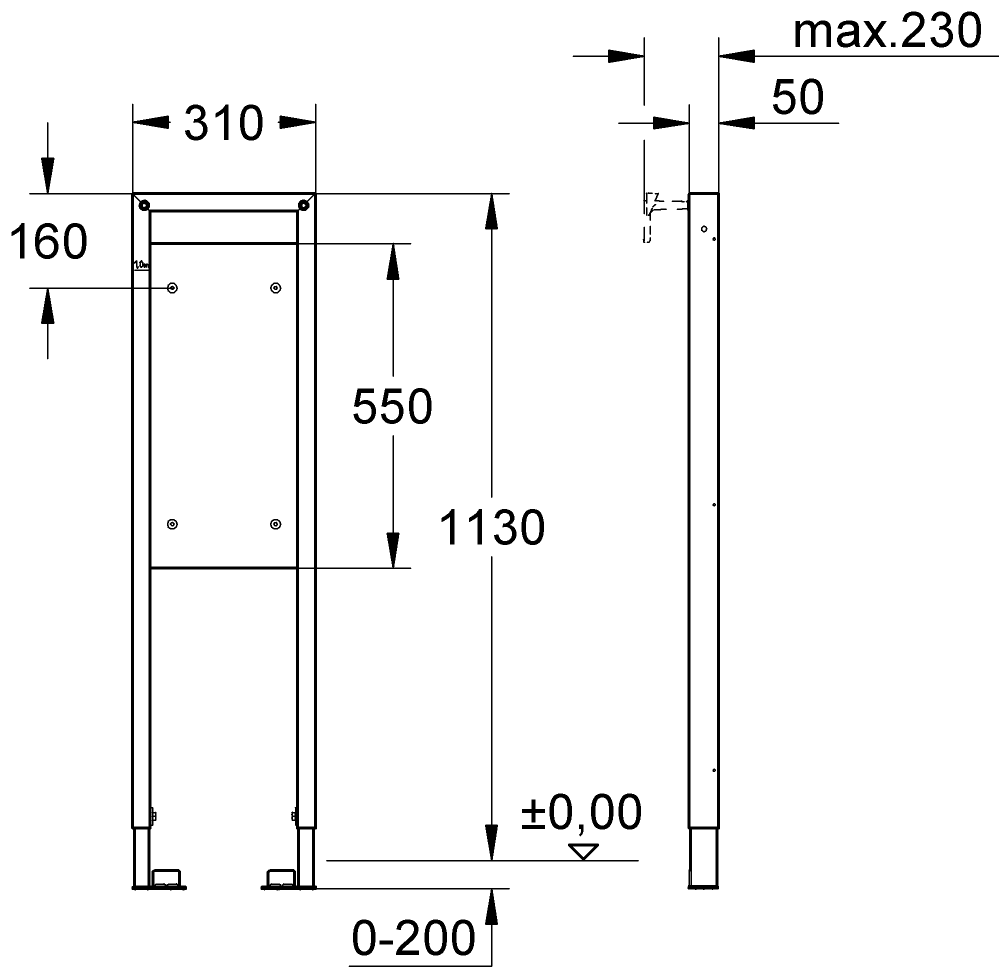


38 559



Design & Quality Engineering GROHE Germany

94.495.331/ÄM 222721/03.12

GROHE
ENJOY WATER®

