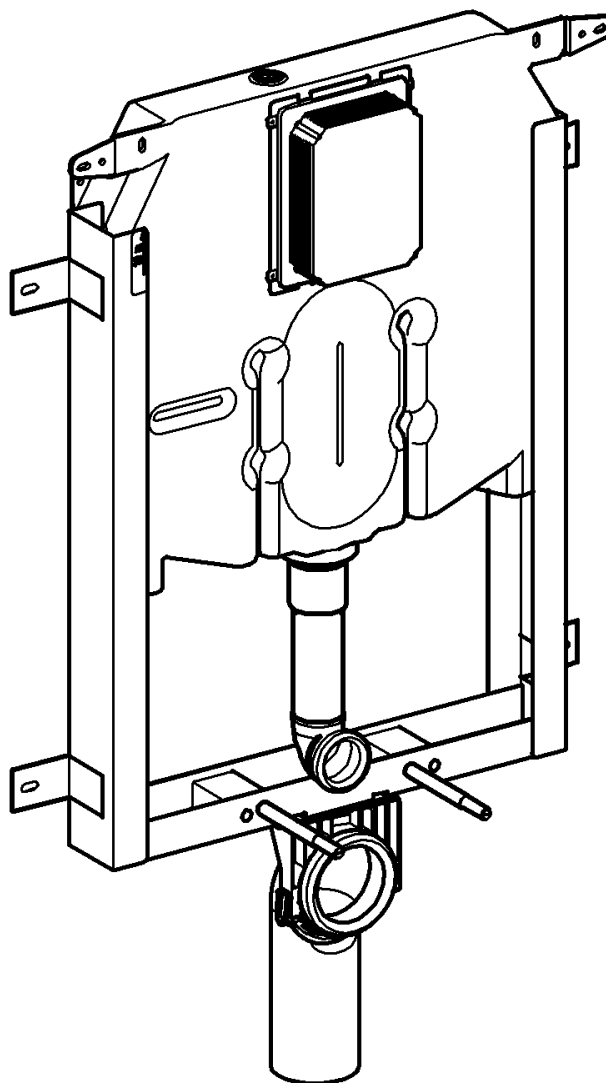


38 729



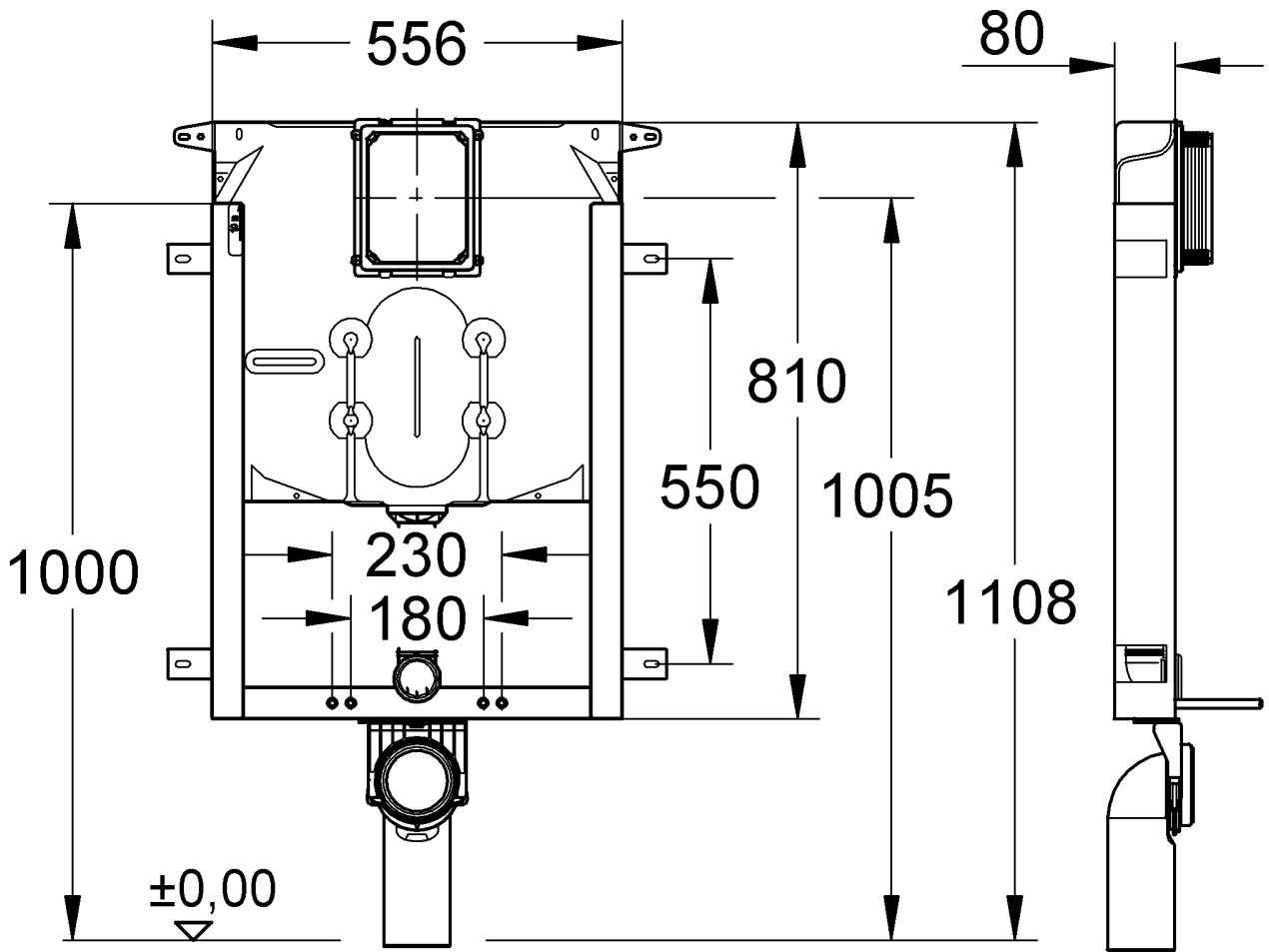
Design & Quality Engineering GROHE Germany

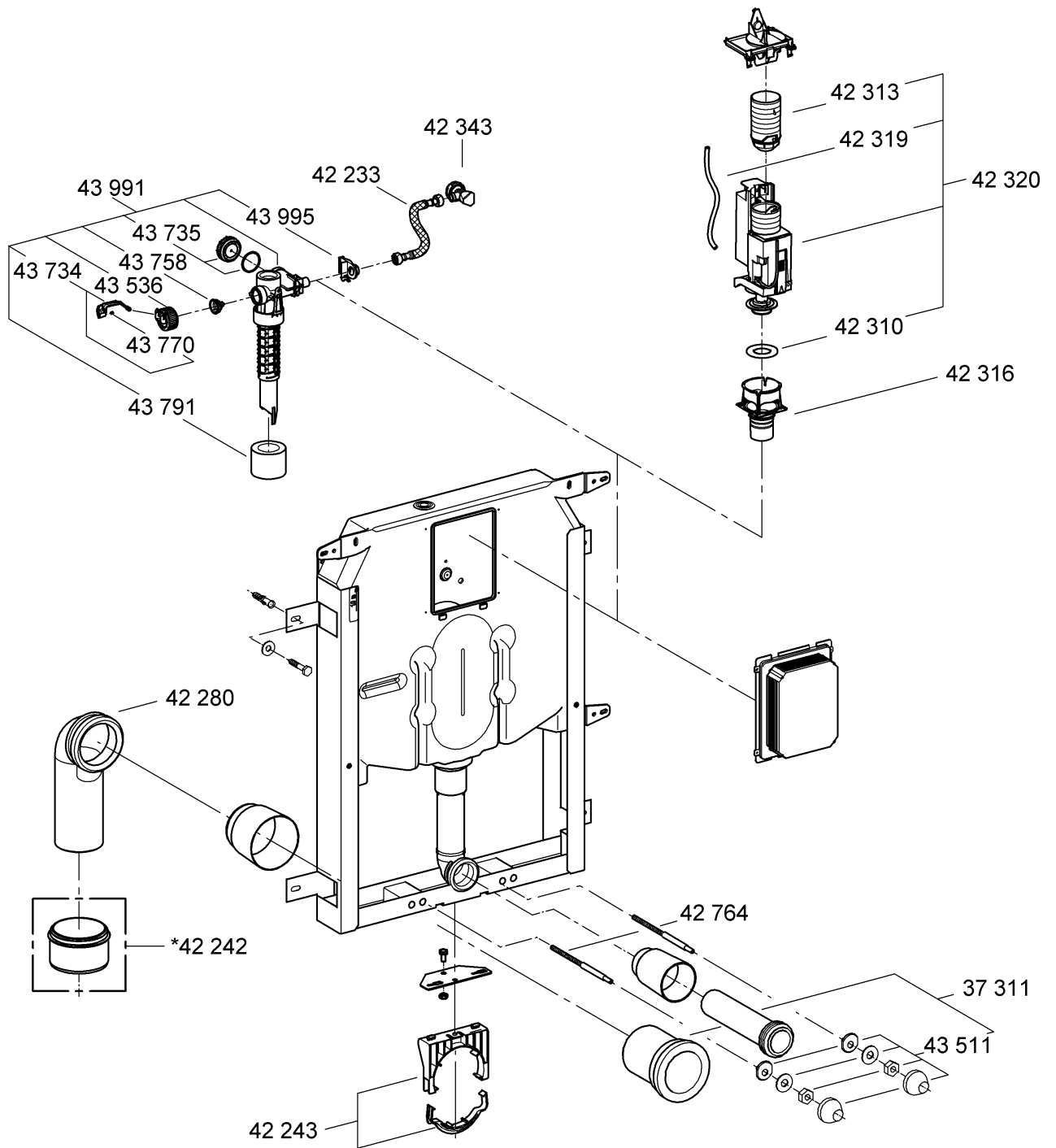
96.448.131/ÄM 216640/07.10

GROHE

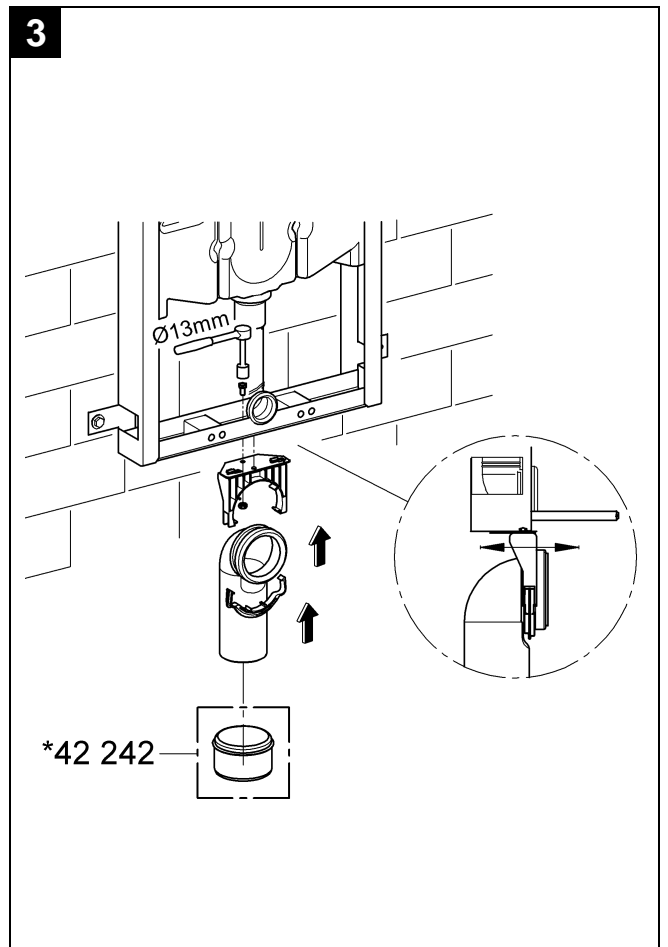
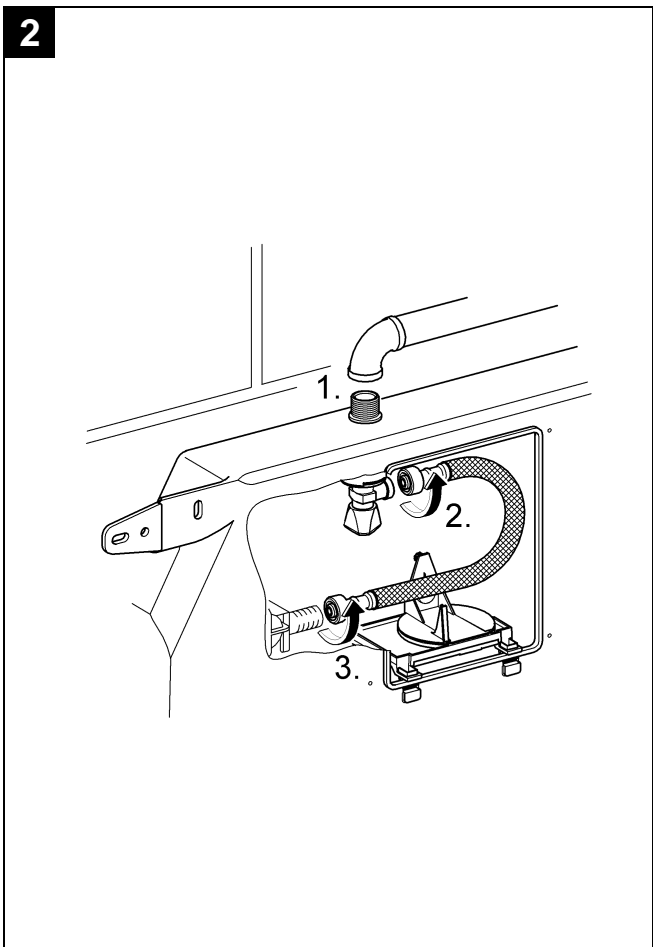
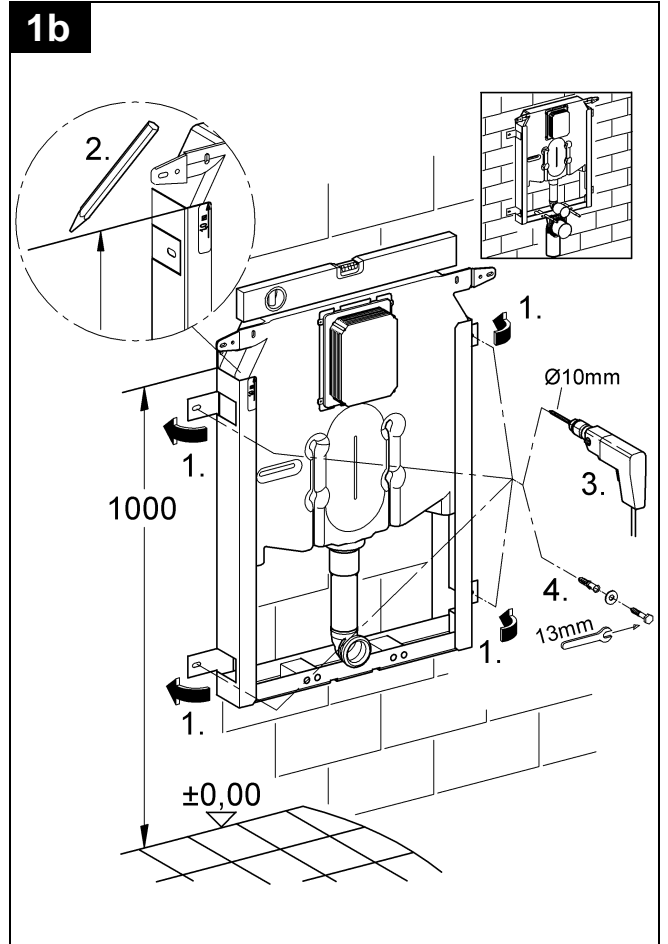
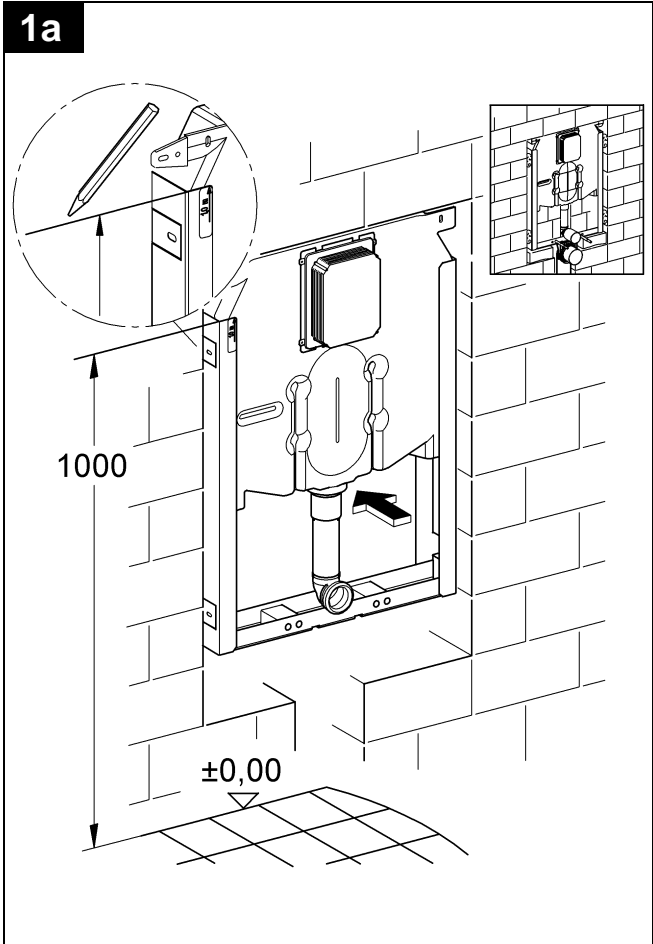
ENJOY WATER®

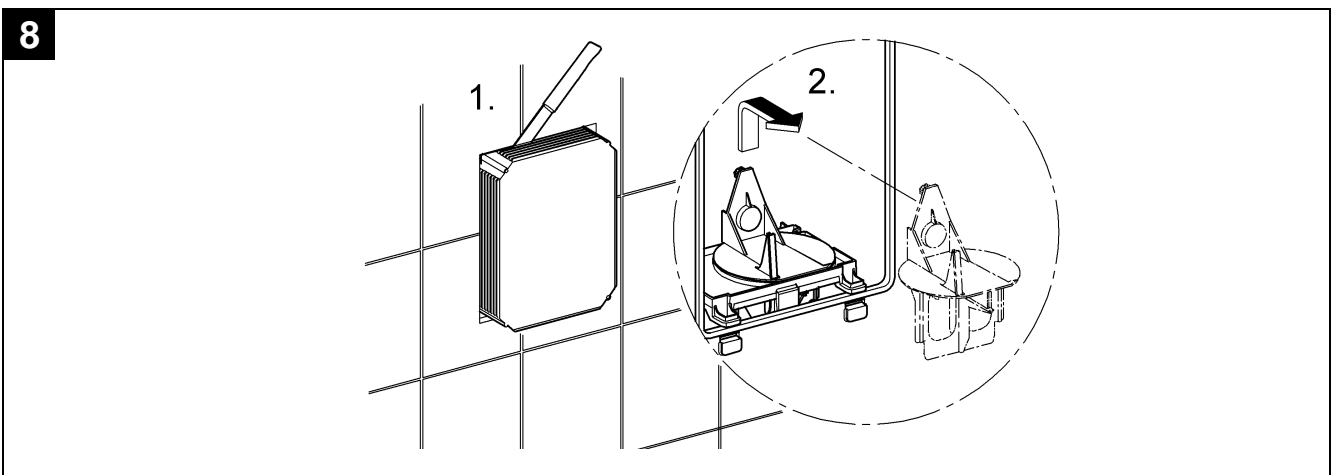
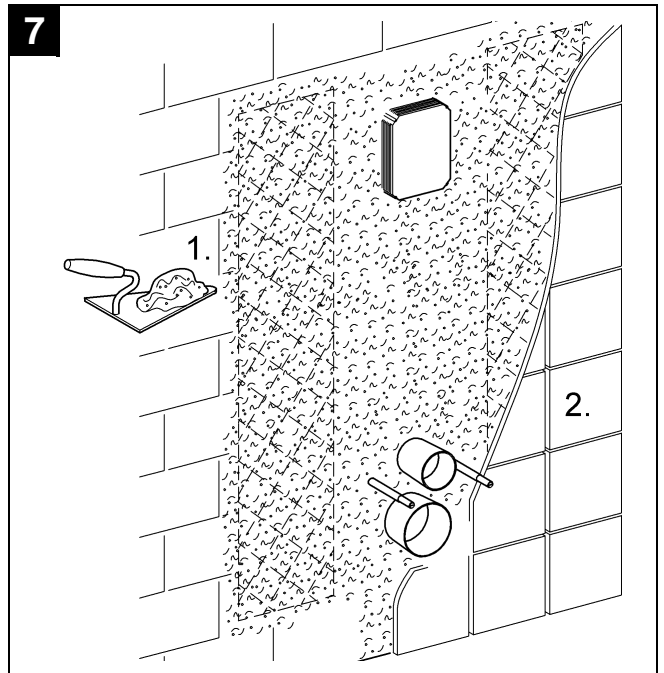
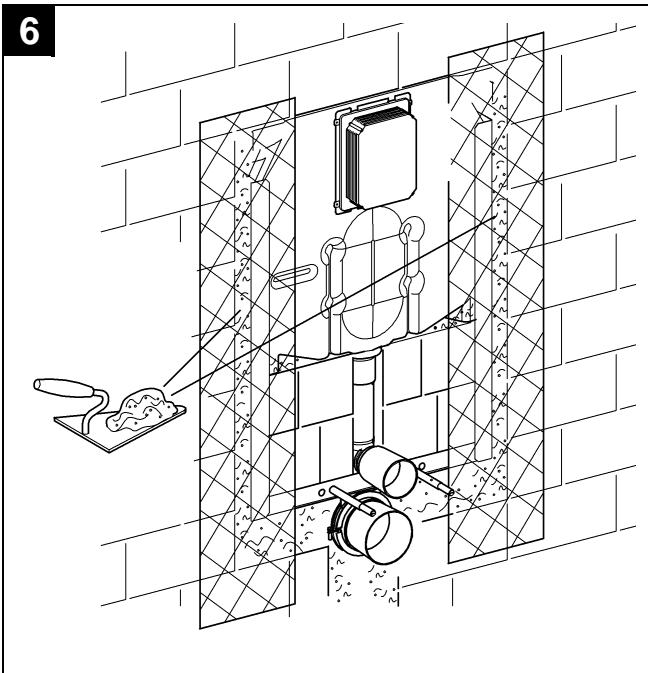
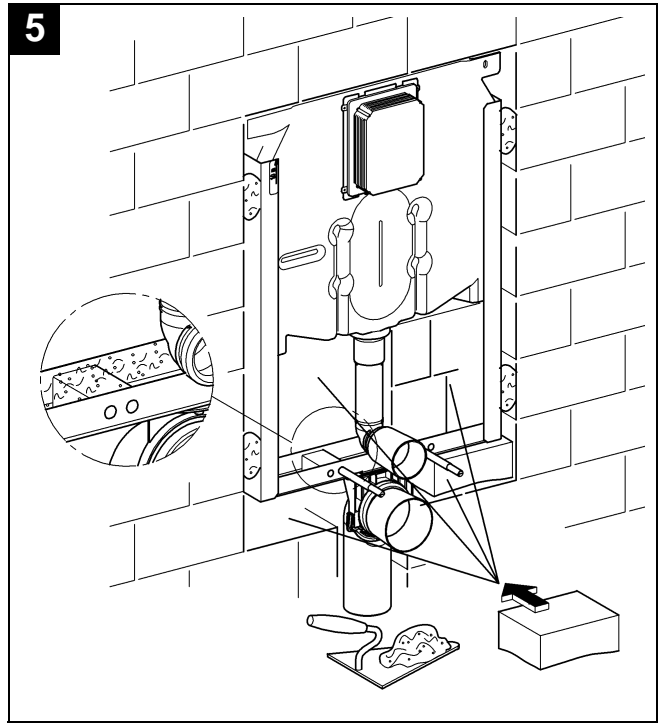
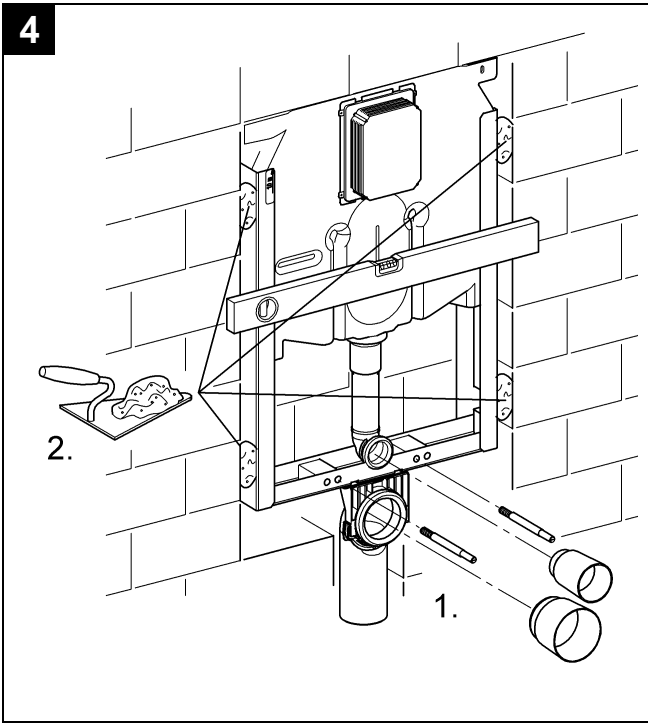
38 729

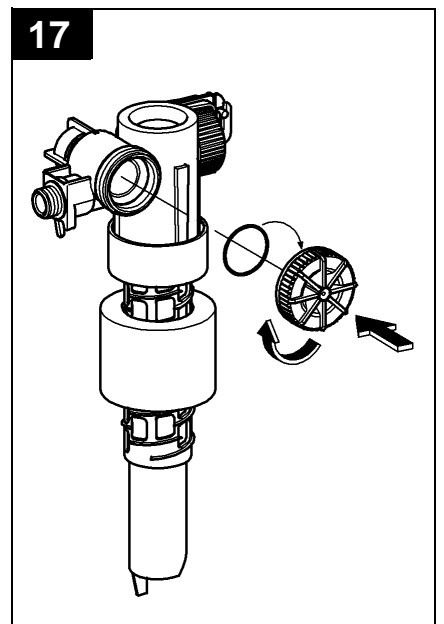
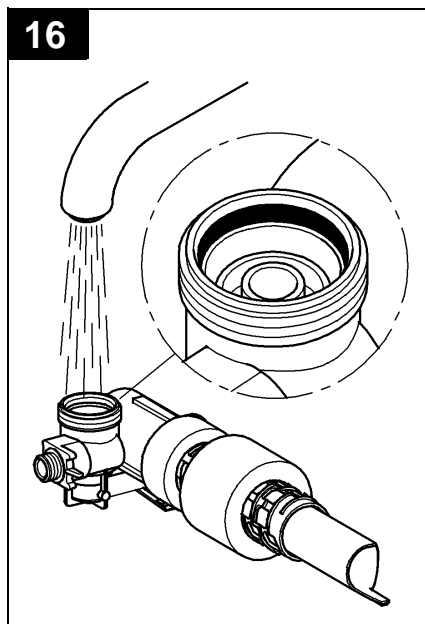
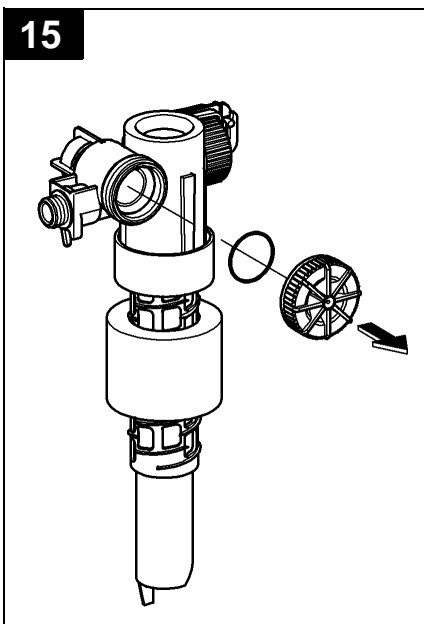
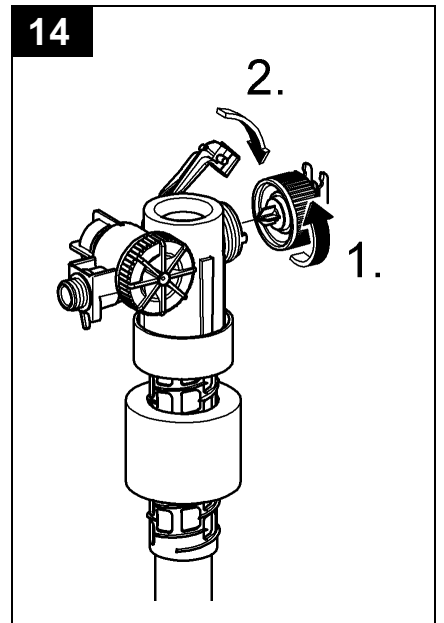
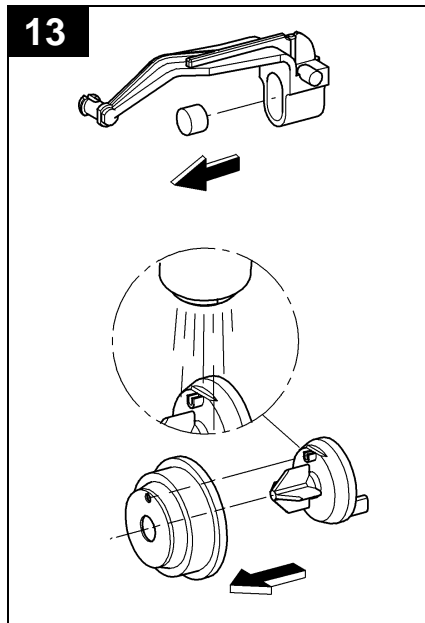
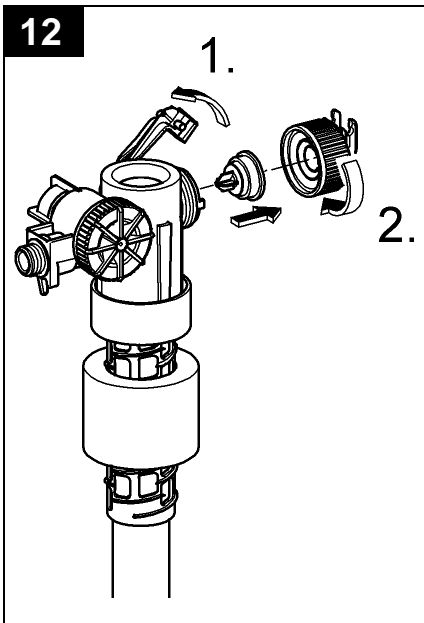
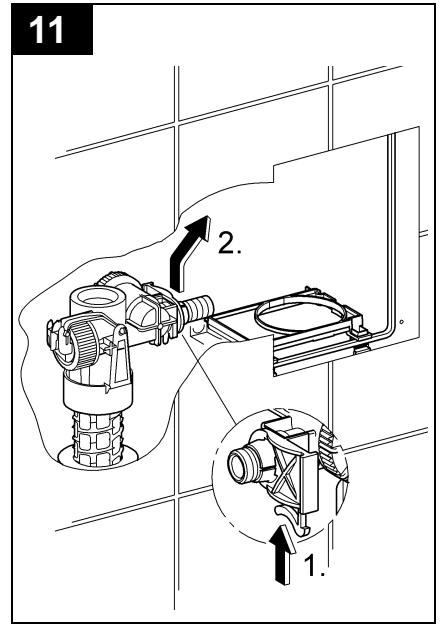
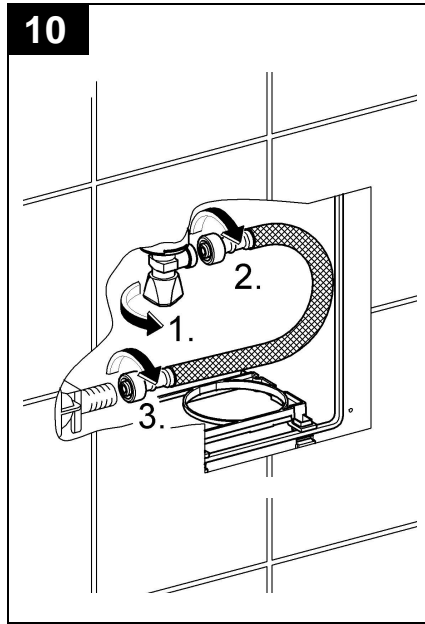
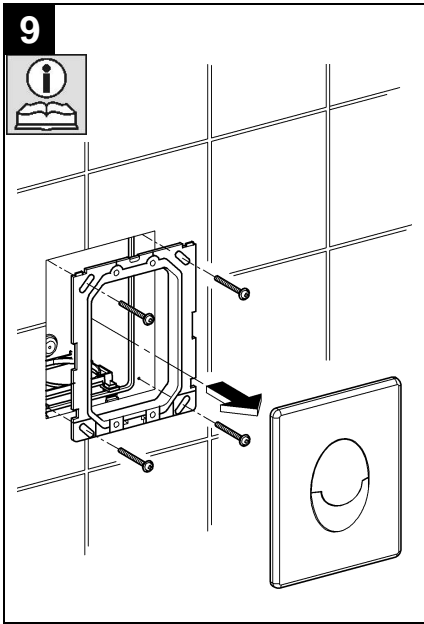




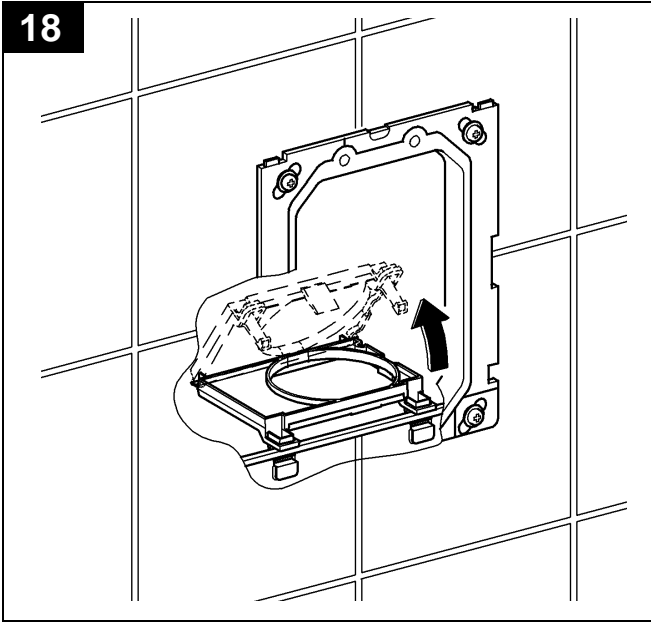
* = accessori speciali



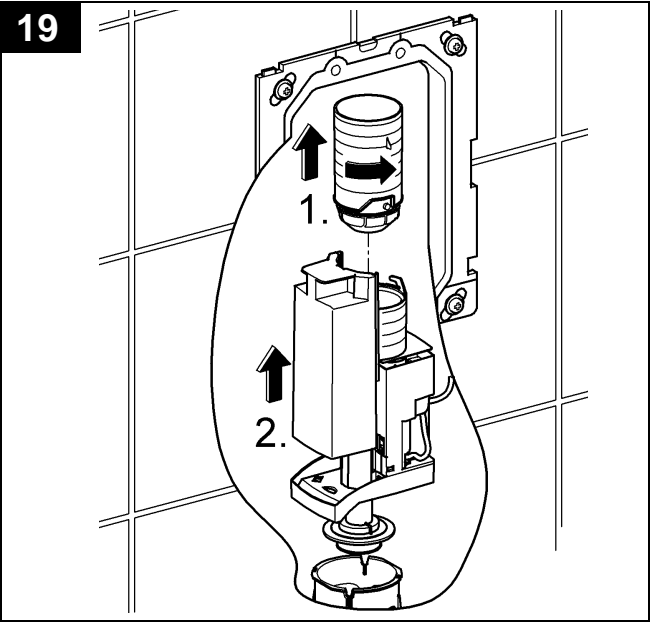




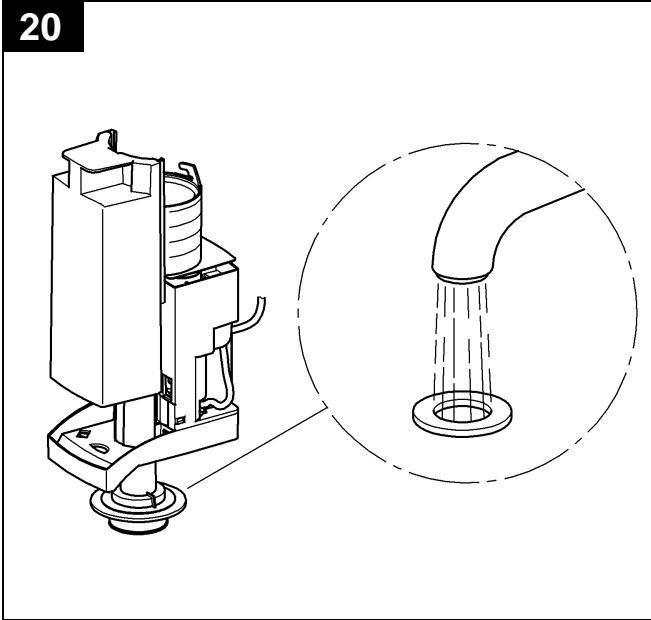
18



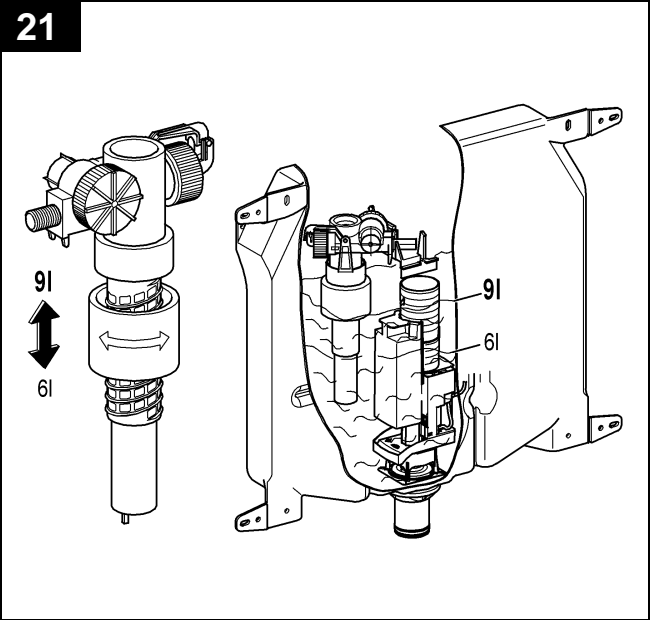
19



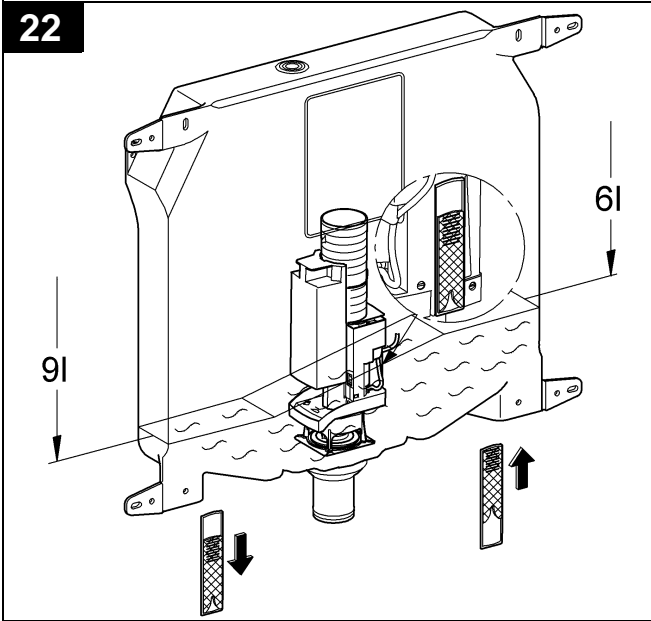
20



21



22



23

