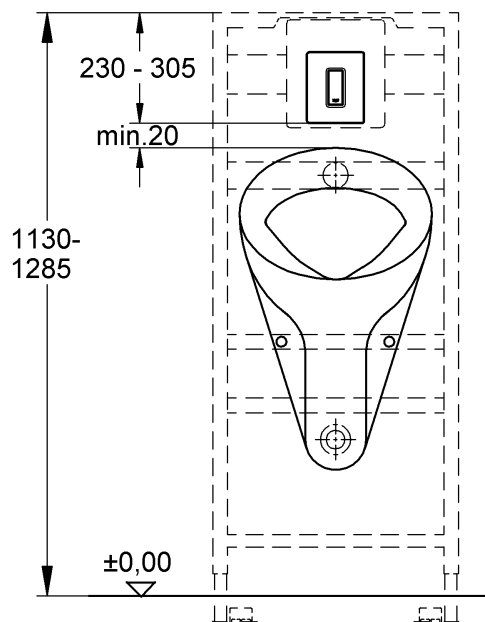
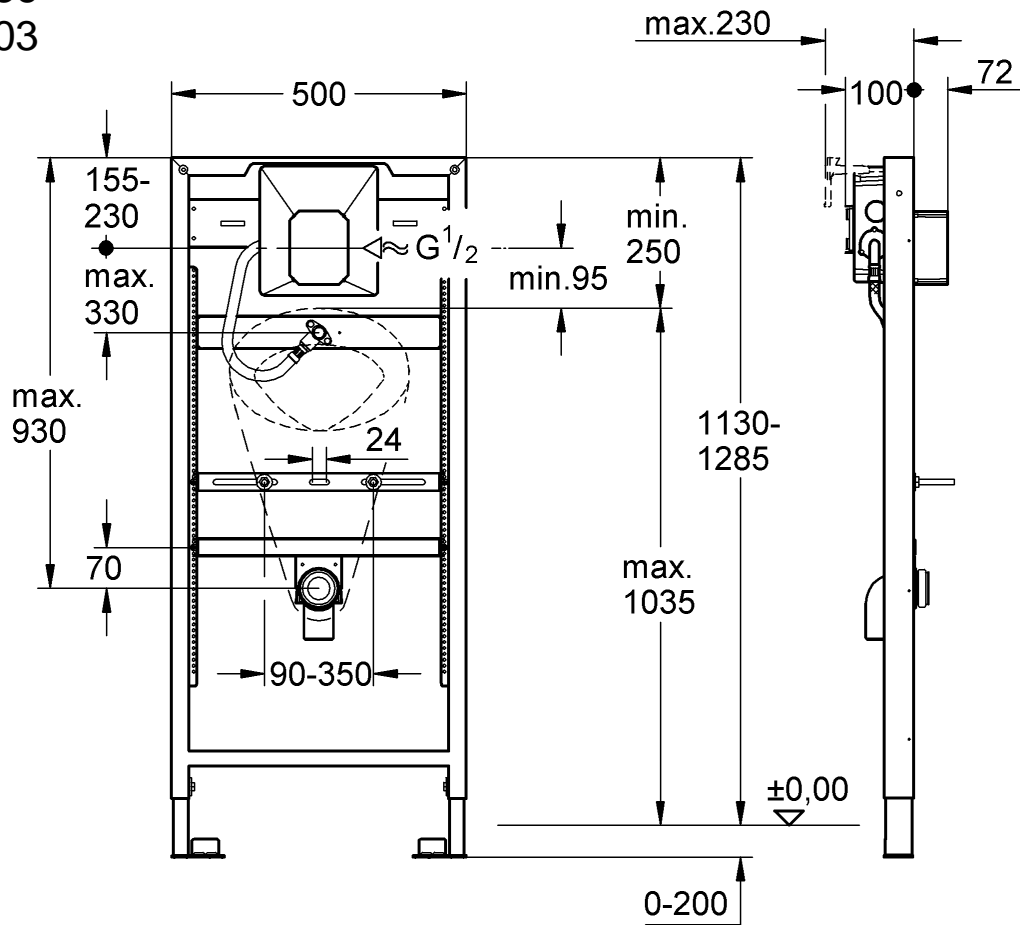


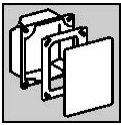
38 786  
38 803



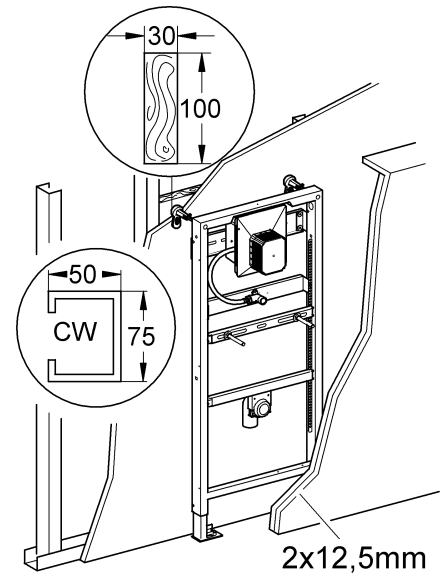
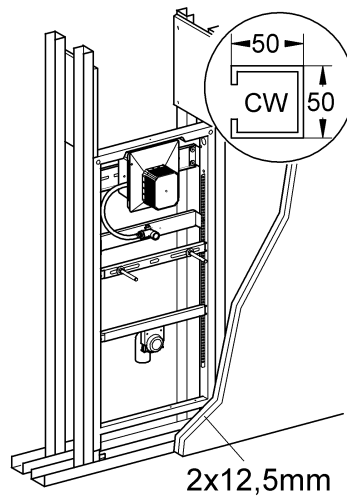
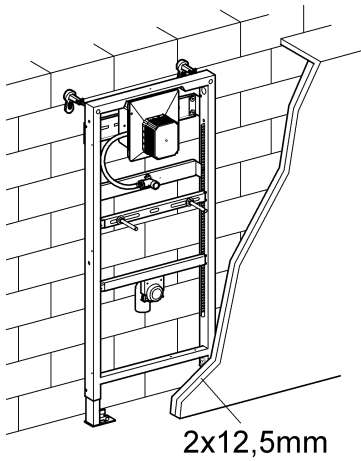
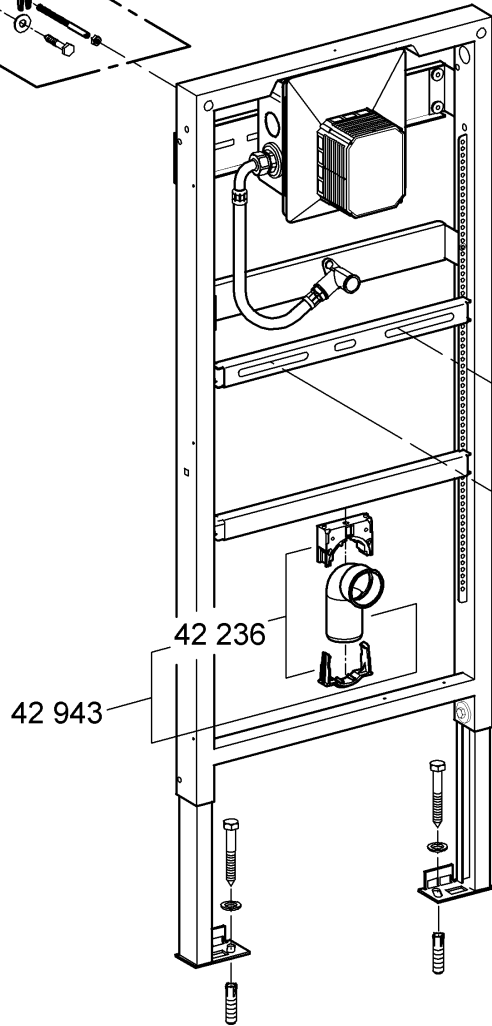
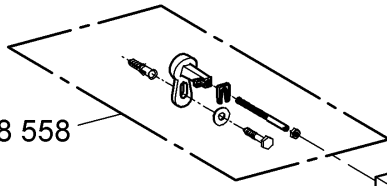
Design & Quality Engineering GROHE Germany

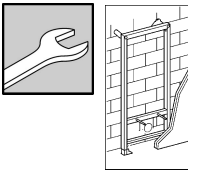
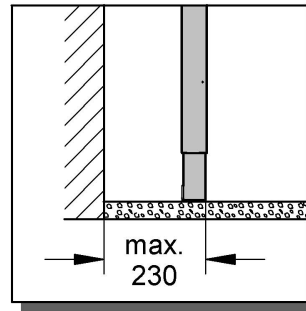
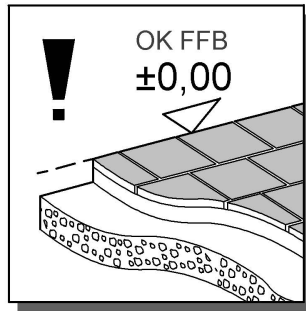
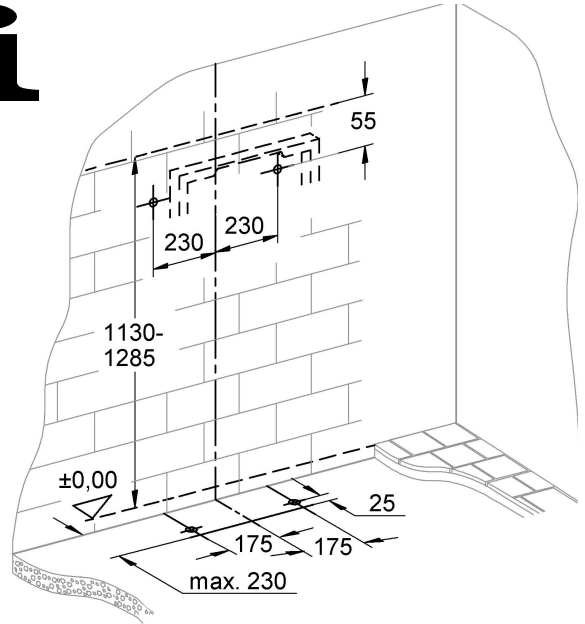
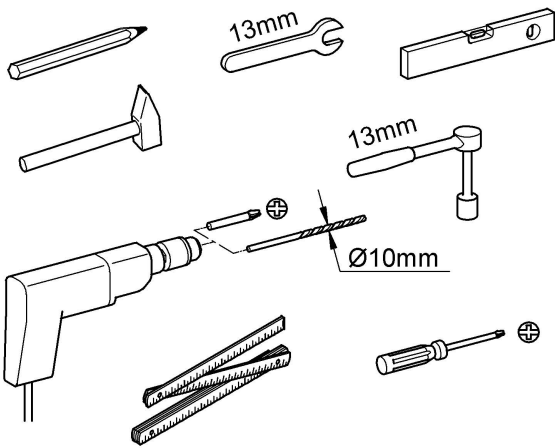


96.706.131/ÄM 218692/09.11

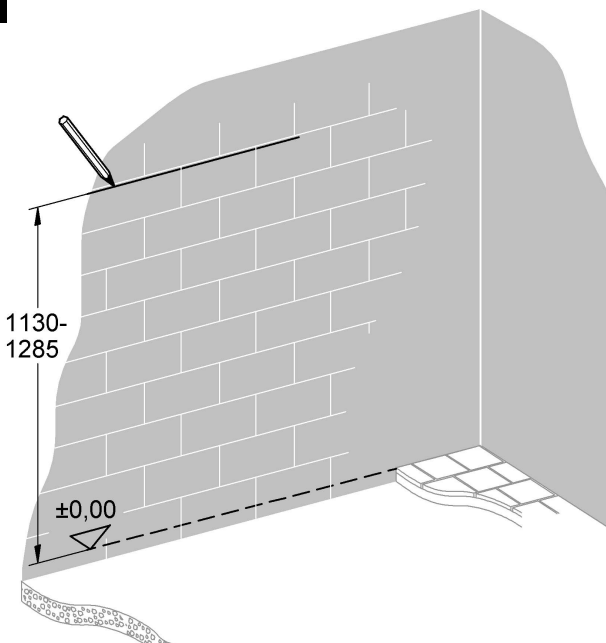


\*38 558

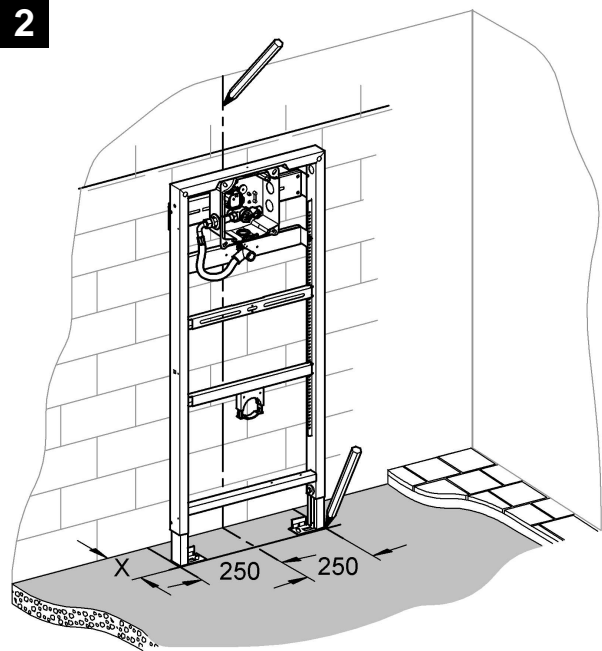




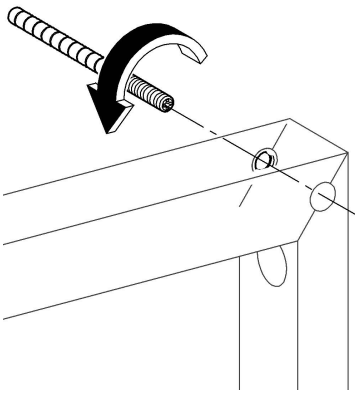
1



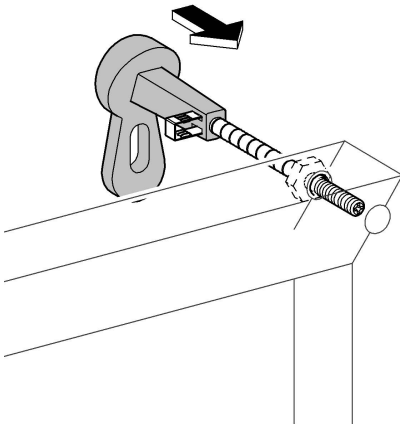
2



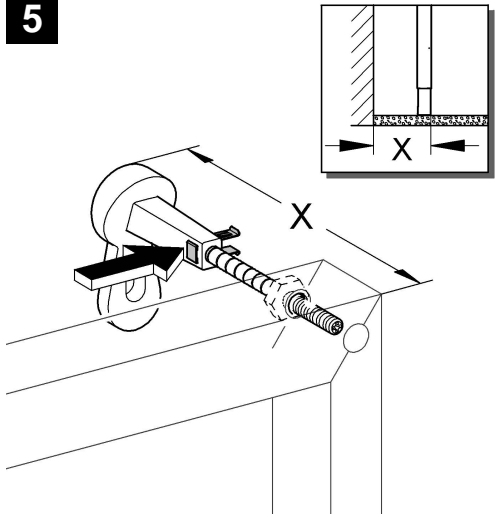
3



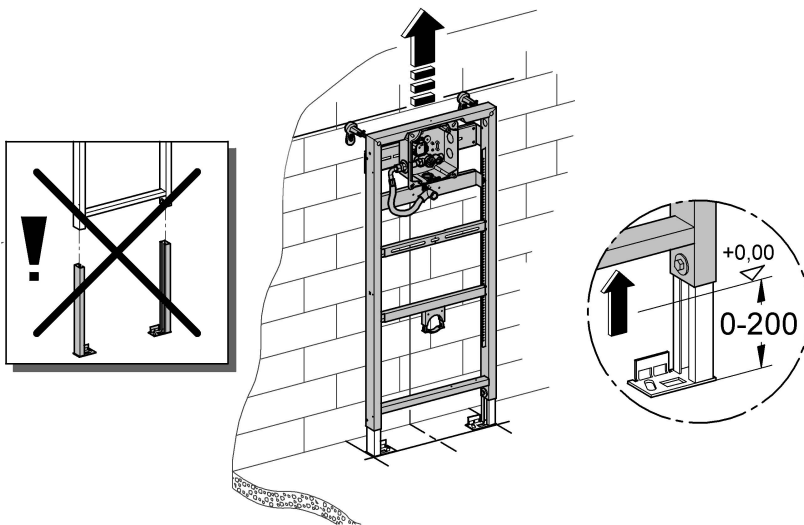
4



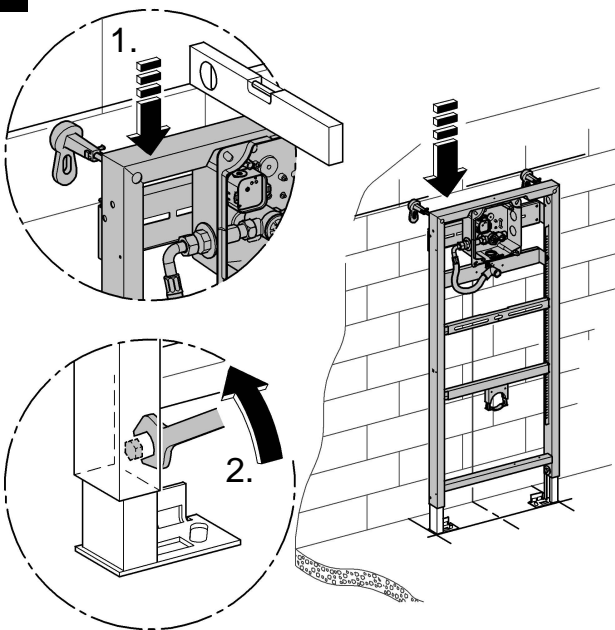
5



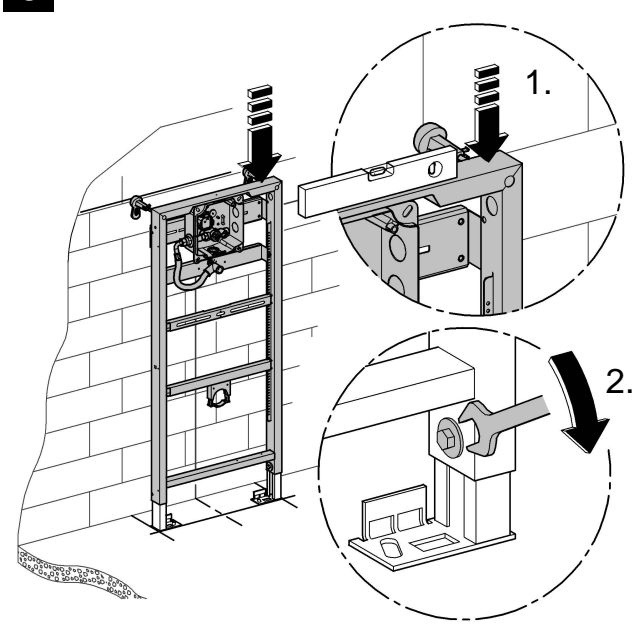
6

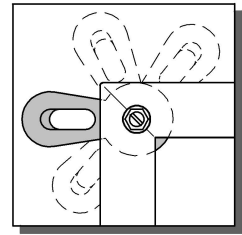
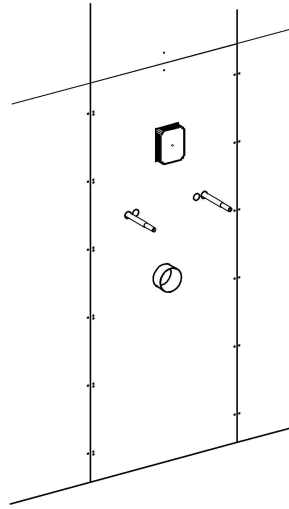
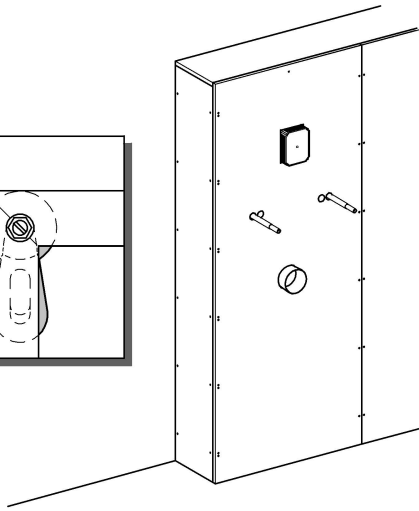
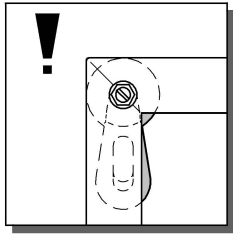


7

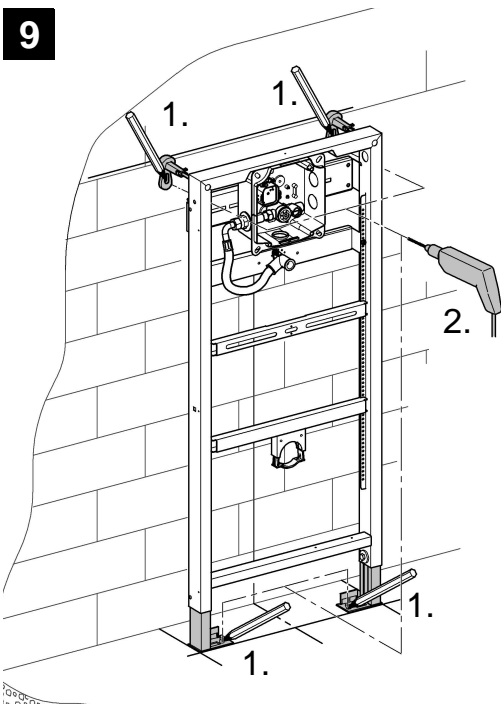


8

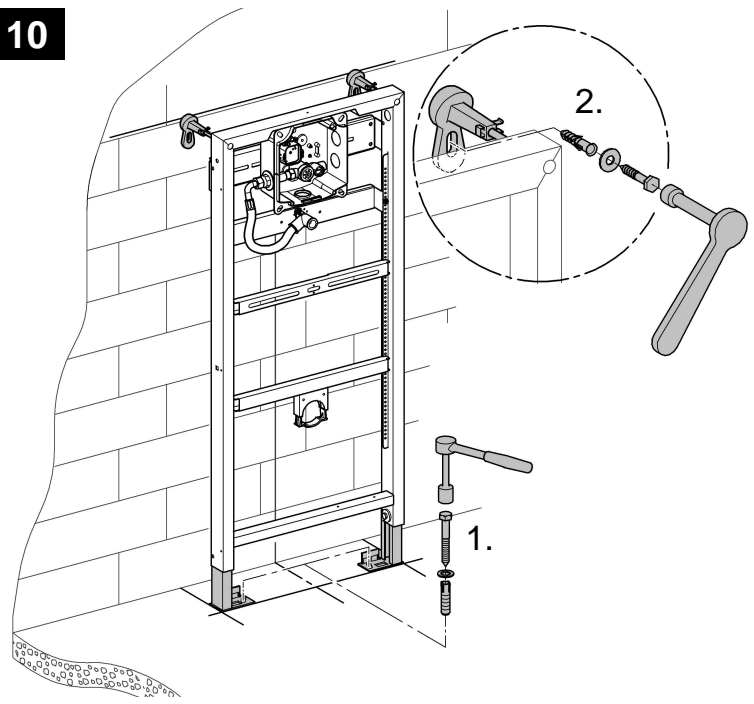




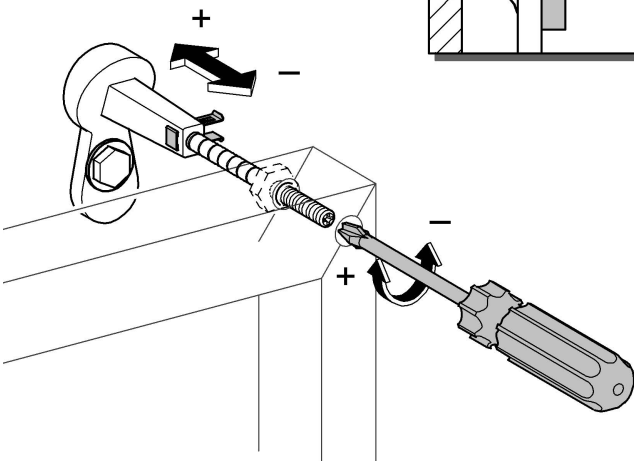
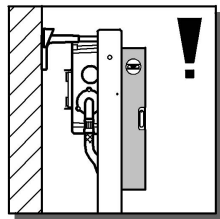
9



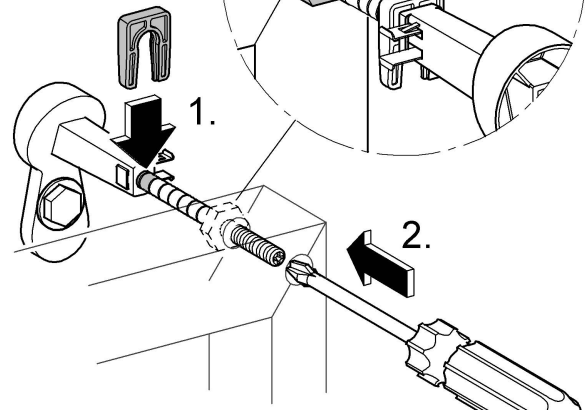
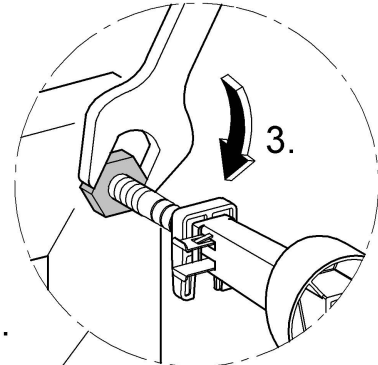
10

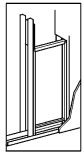


11

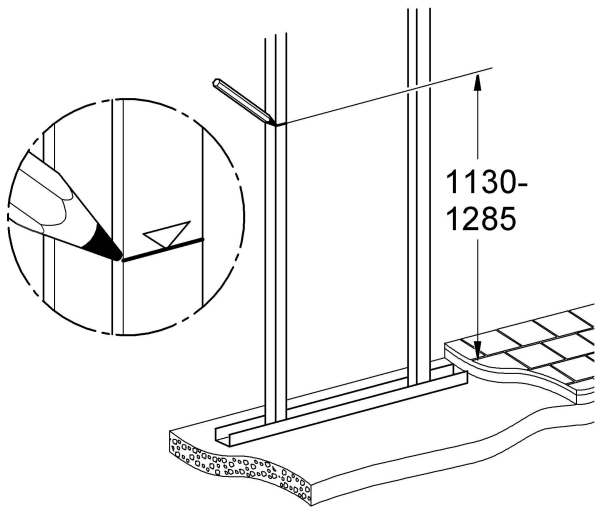


12

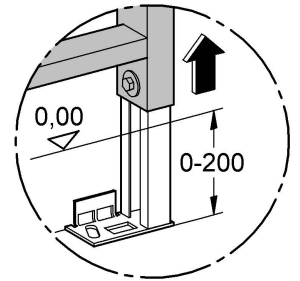
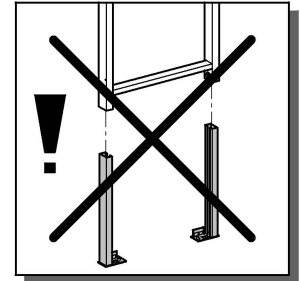
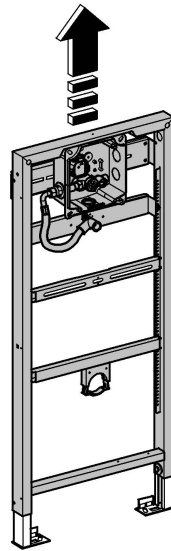




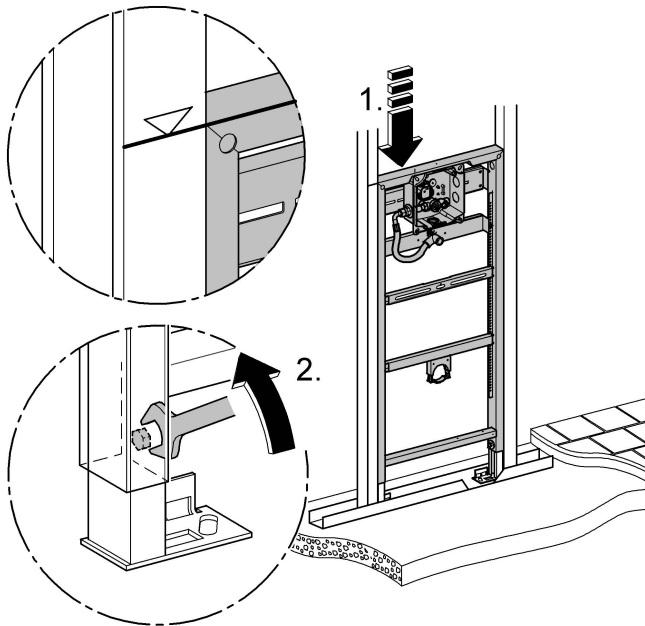
1



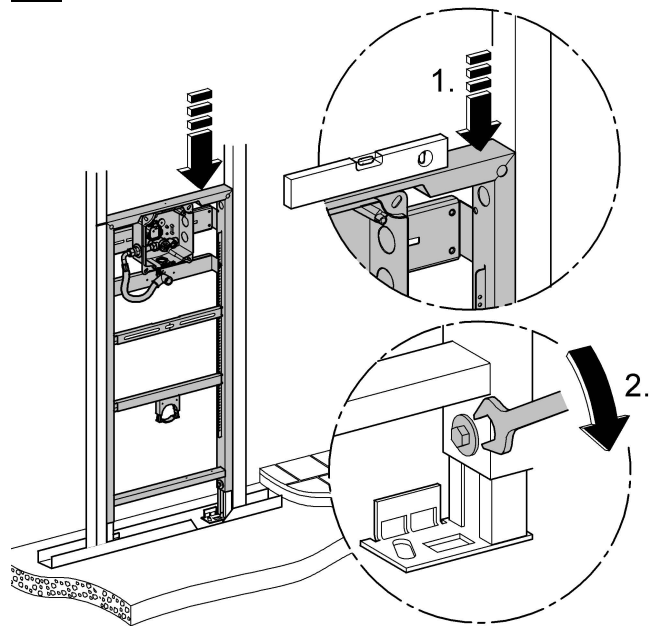
2



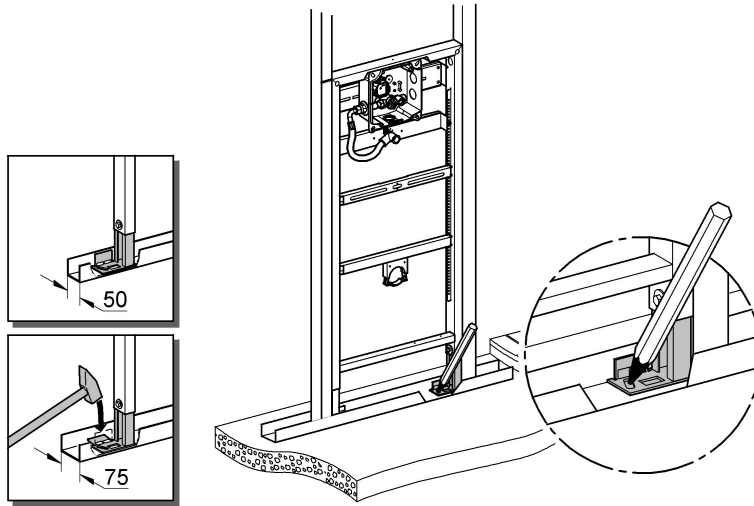
3



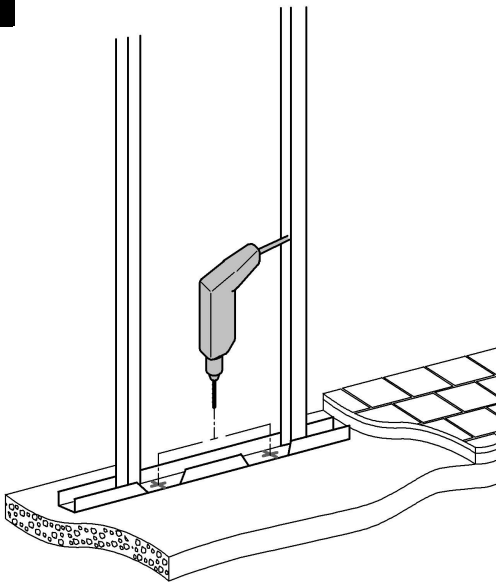
4



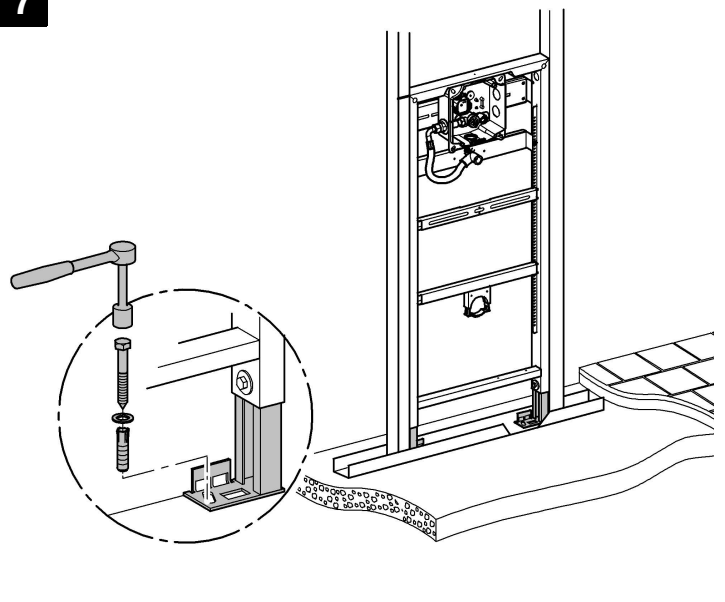
5



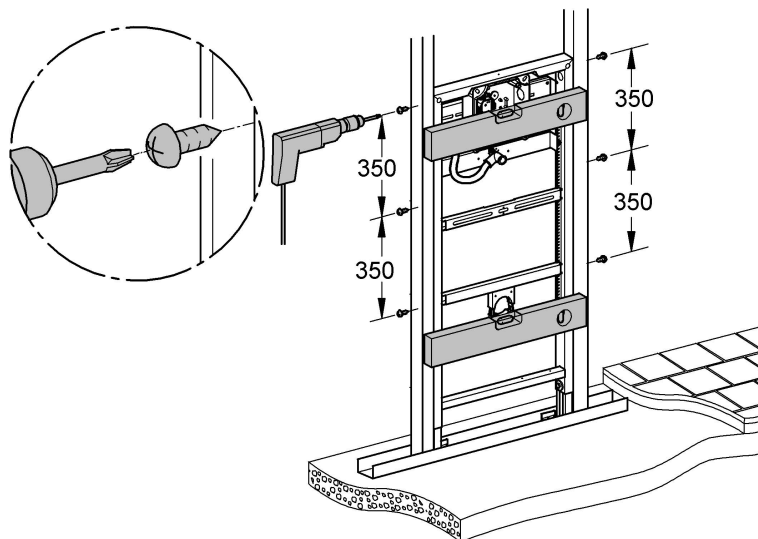
6

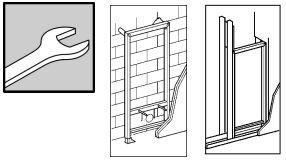


7

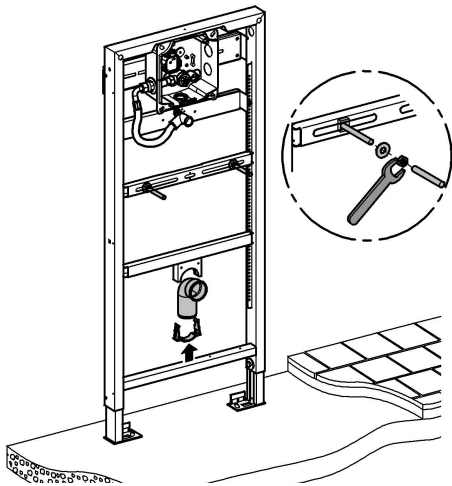


8

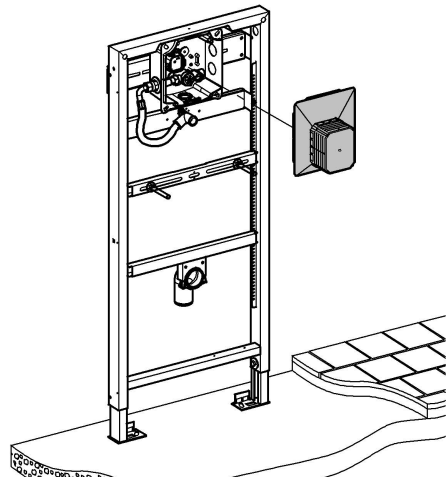




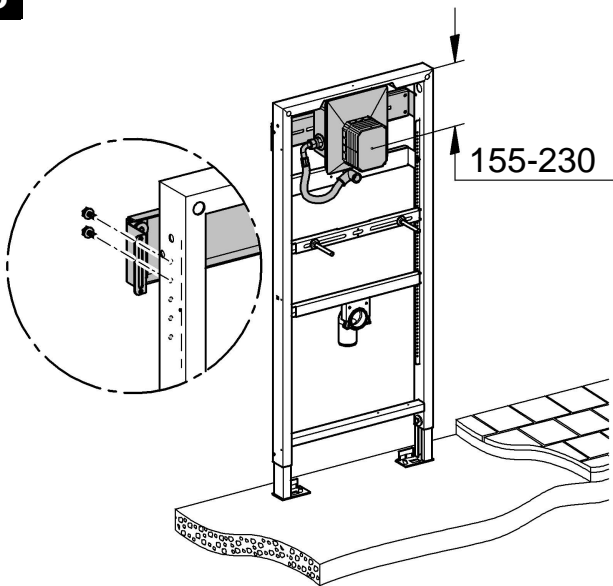
1



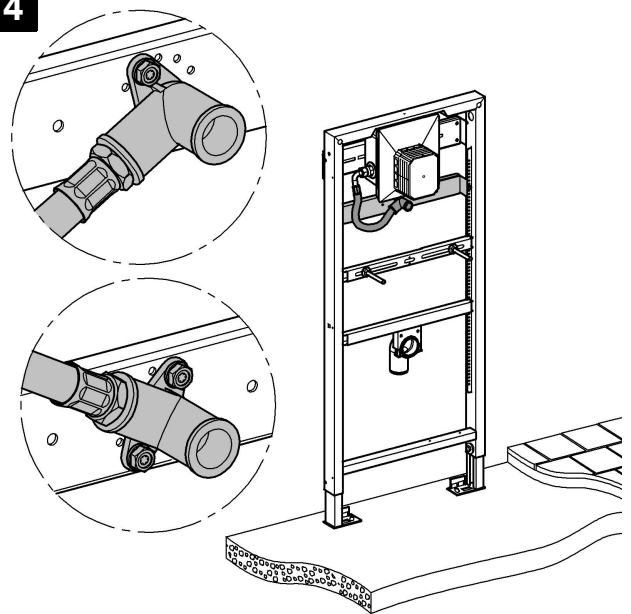
2



3



4



5

