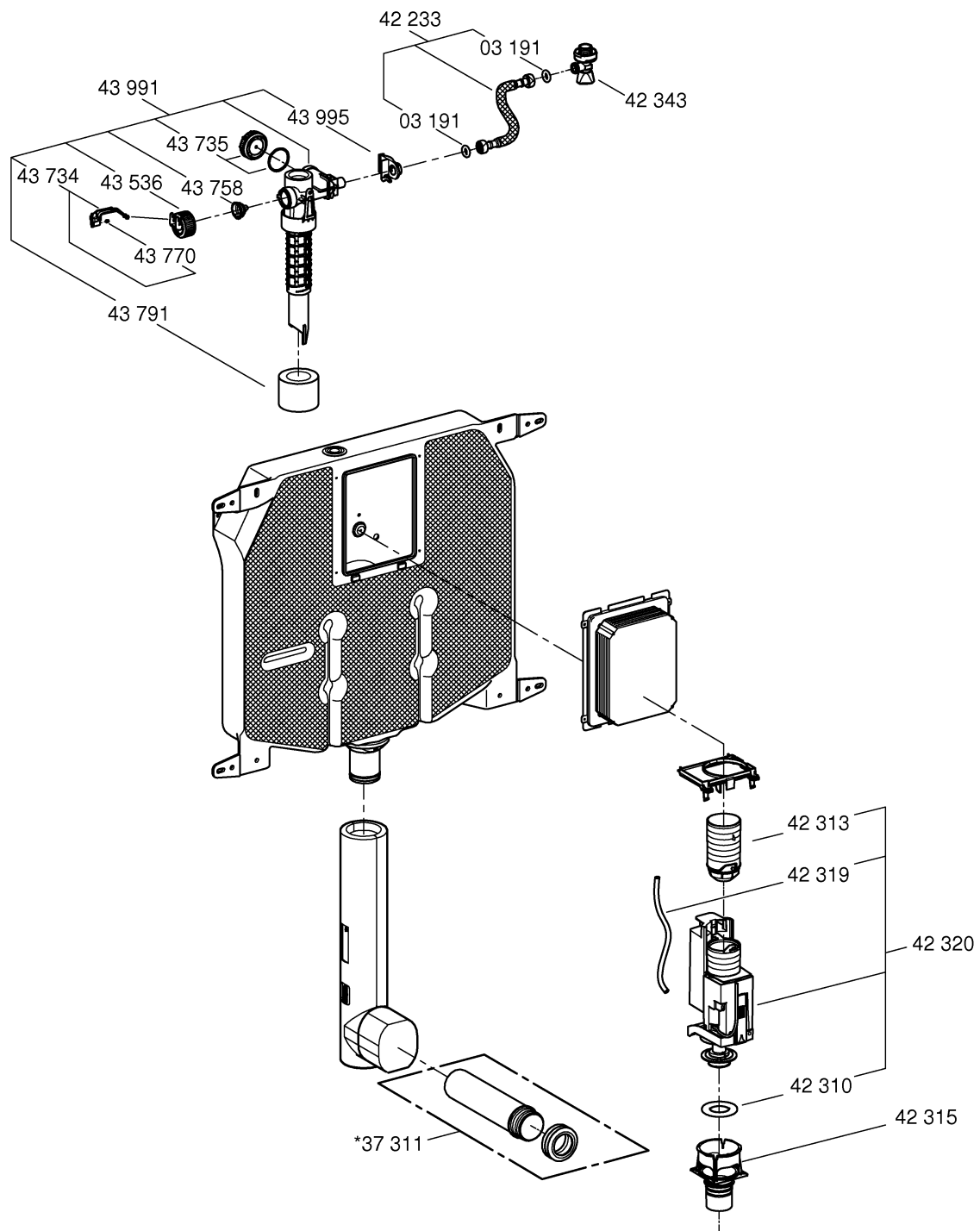


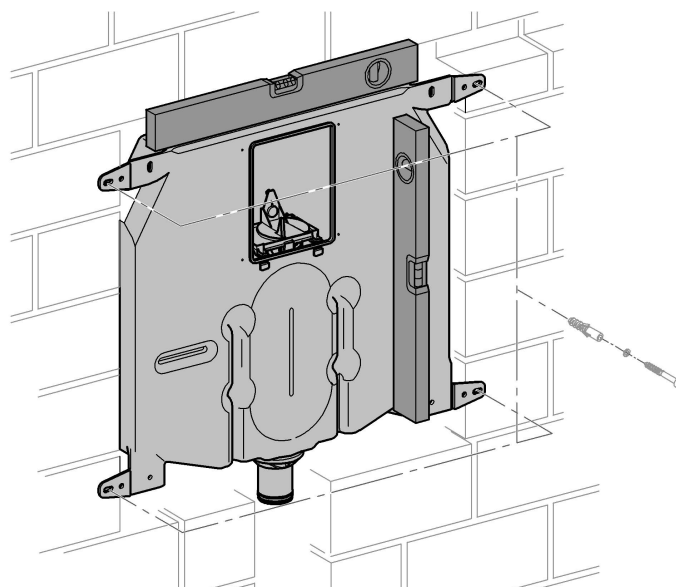
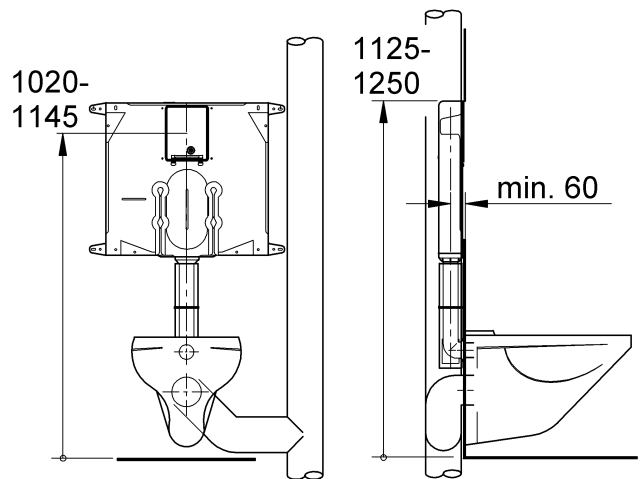
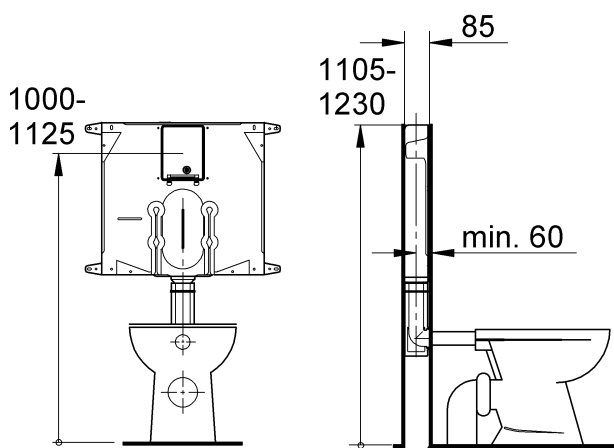
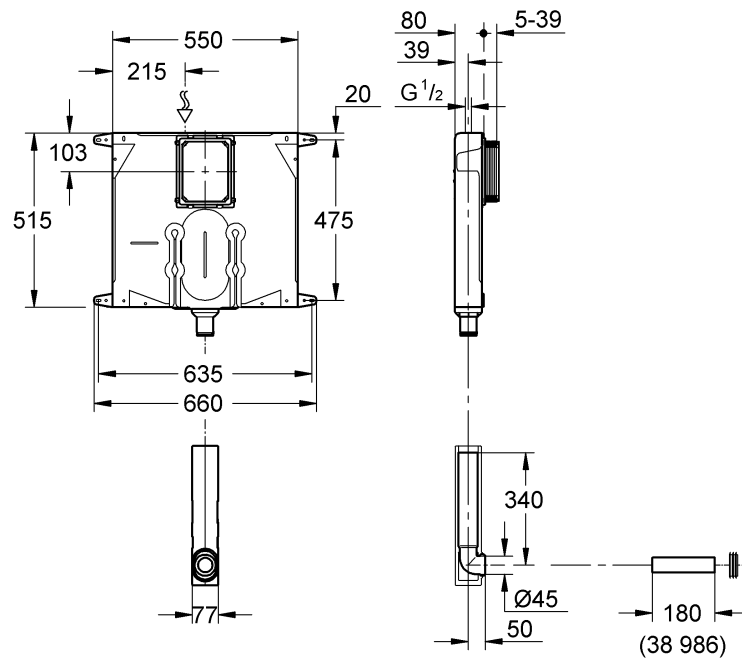
38 863
38 986

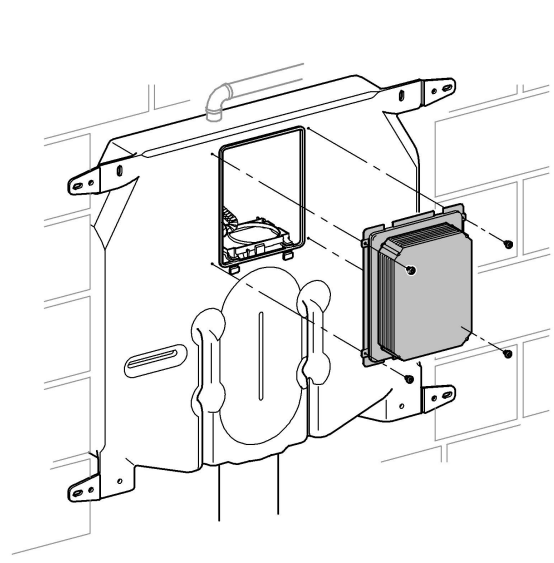
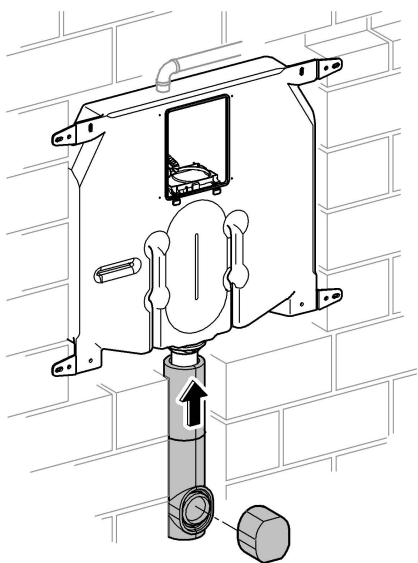
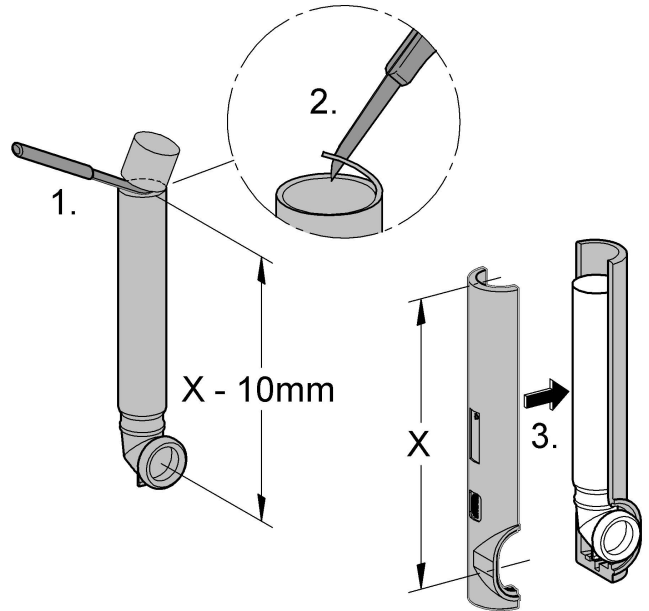
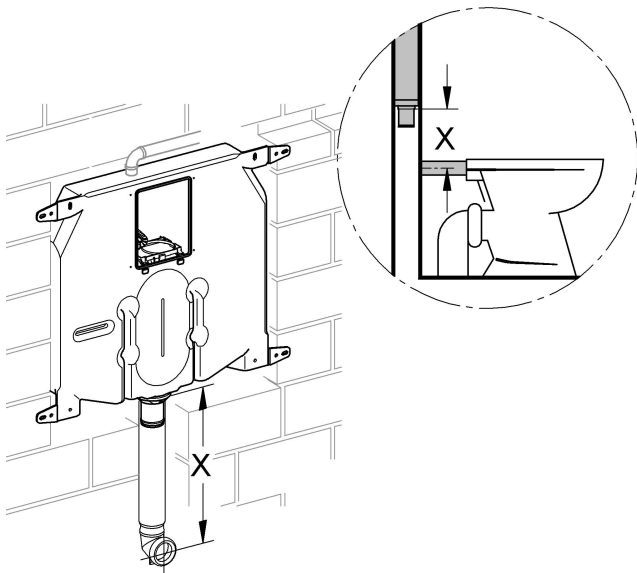
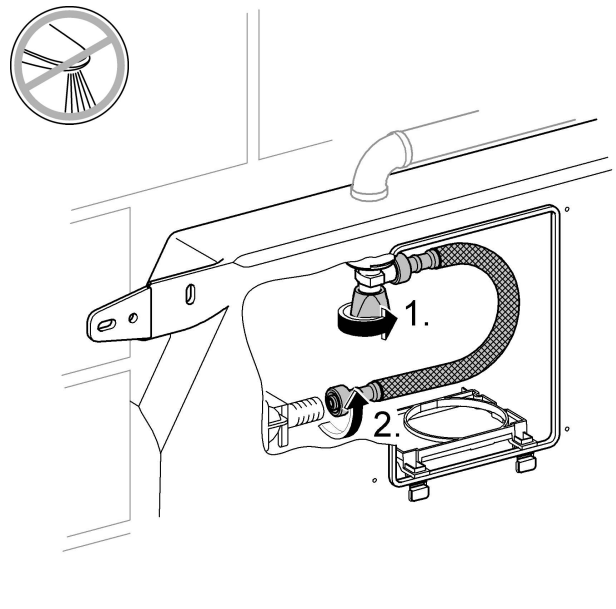
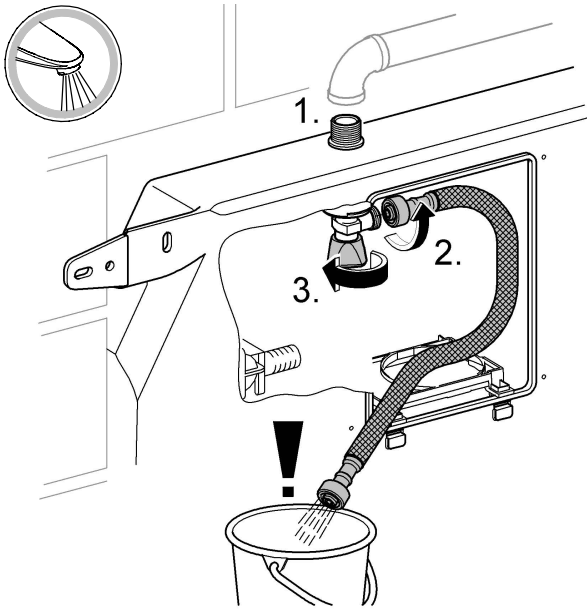


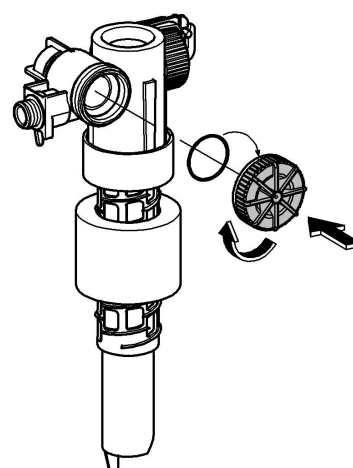
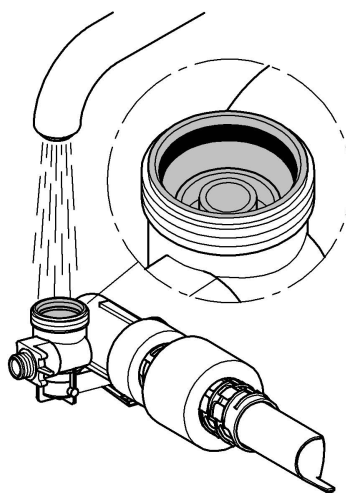
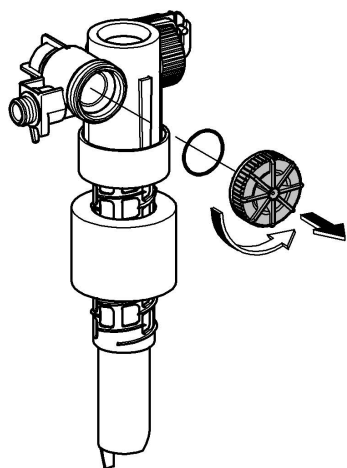
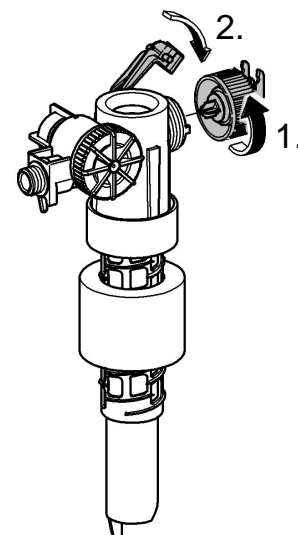
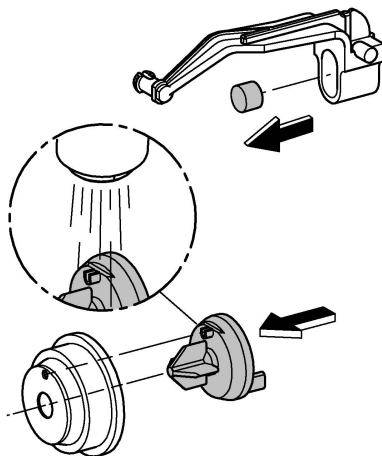
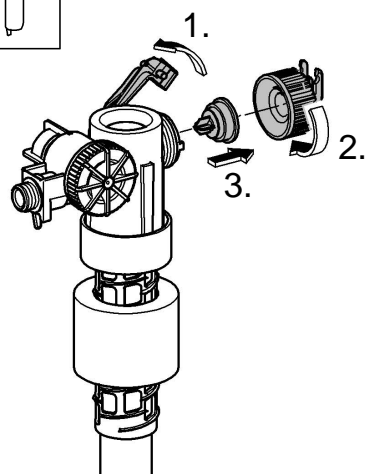
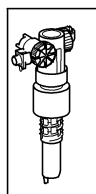
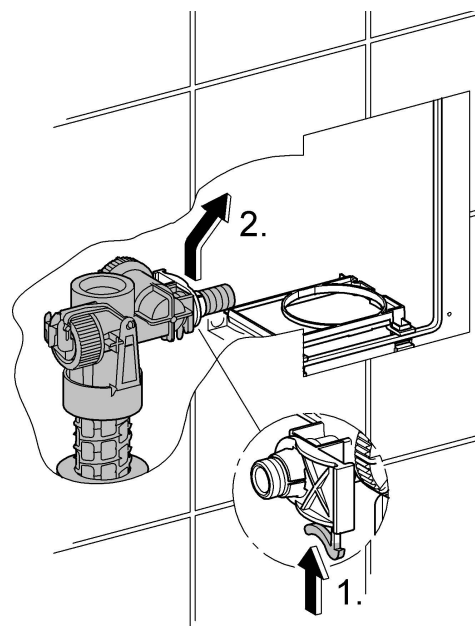
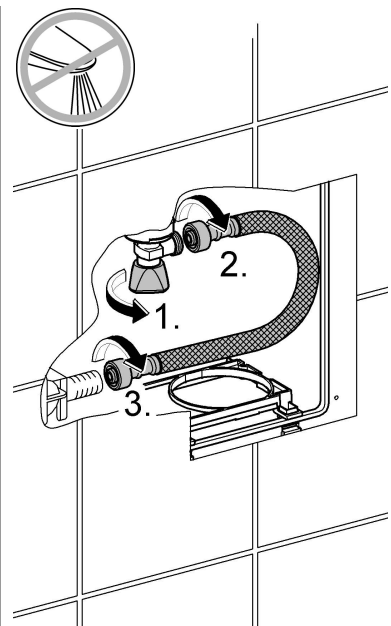
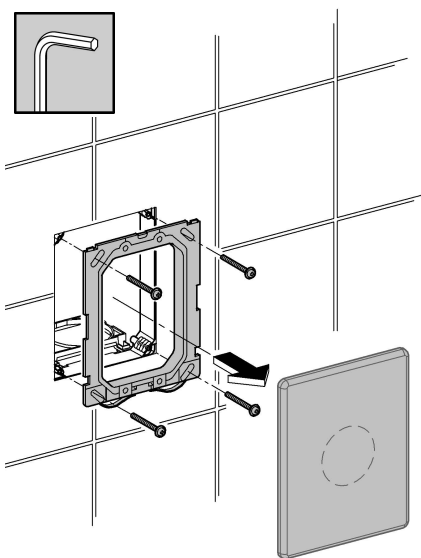
Design + Engineering GROHE Germany

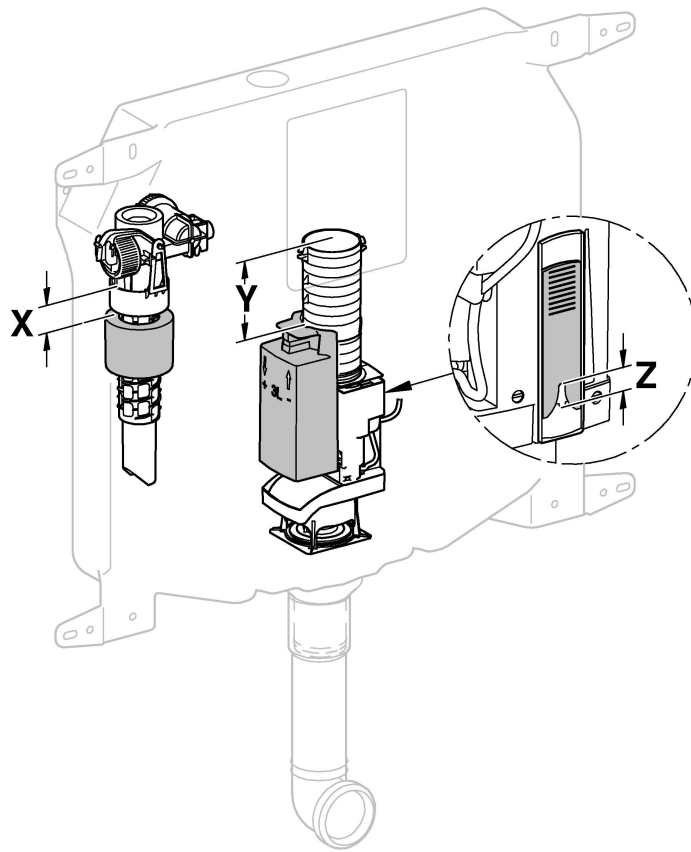
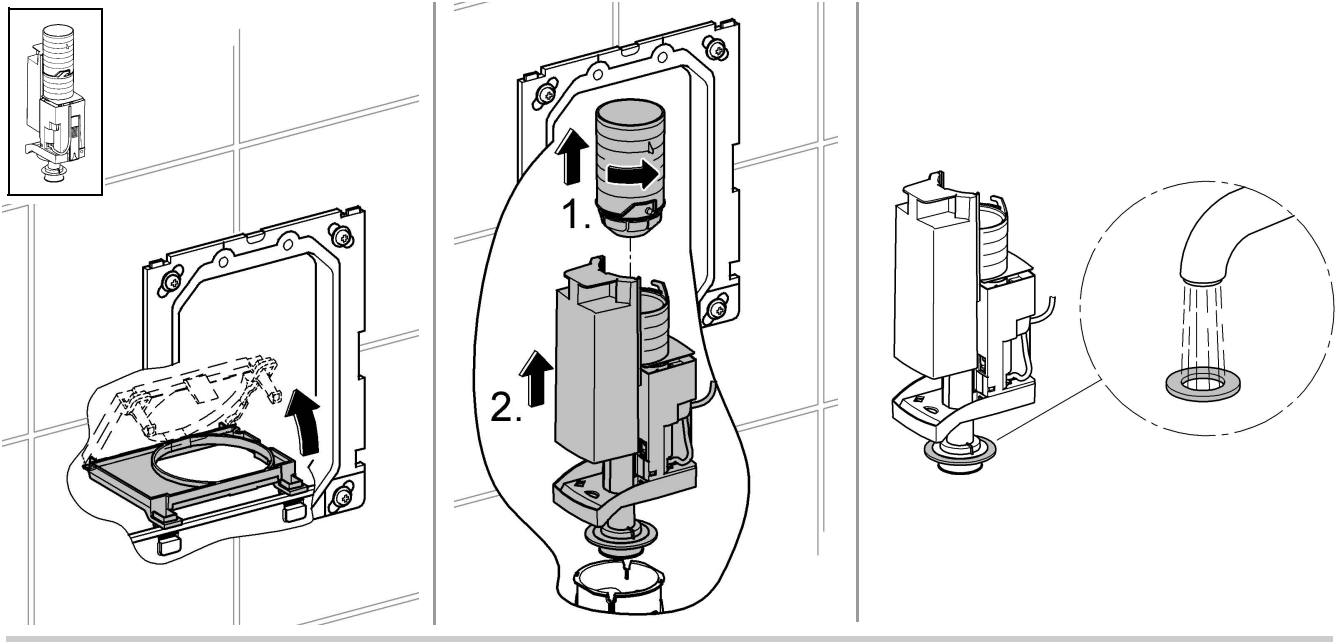
96.188.131/ÄM 227165/05.14

GROHE
ENJOY WATER®









	X	Y	Z
<p>9 l</p> <p>4,5 l</p>	49 mm	100 mm	<3 mm
<p>6 l</p> <p>3 l</p>	49 mm	57 mm	>18 mm