

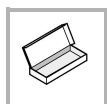
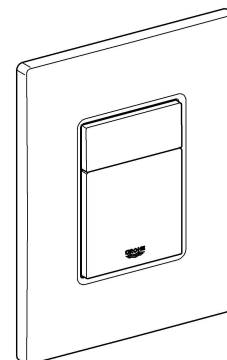
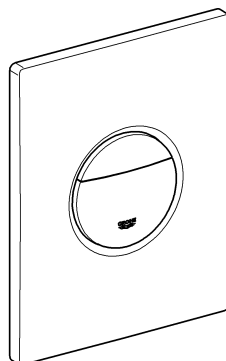
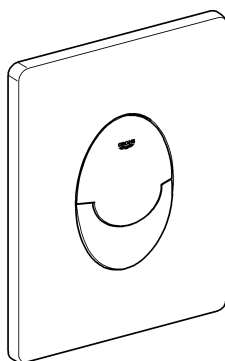
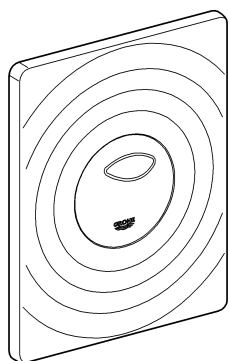


38 963

38 964

38 965

38 966



..... 1



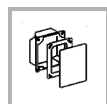
..... 3-5



..... 7



..... 2



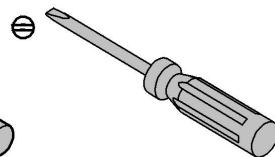
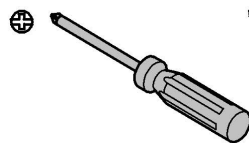
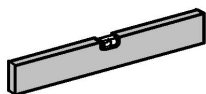
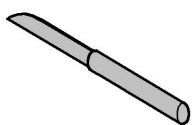
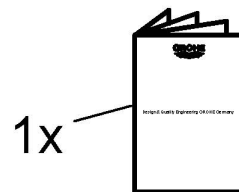
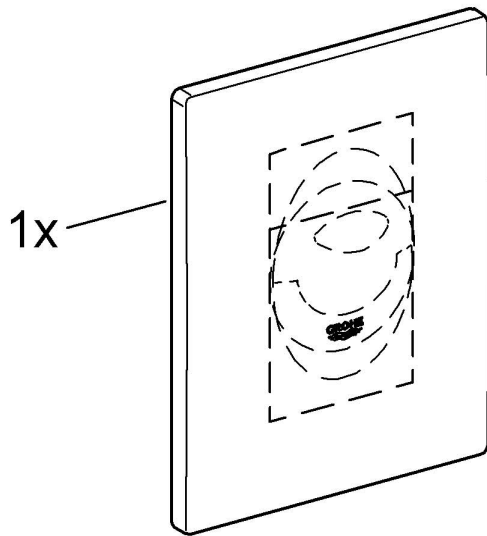
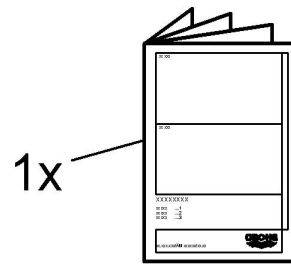
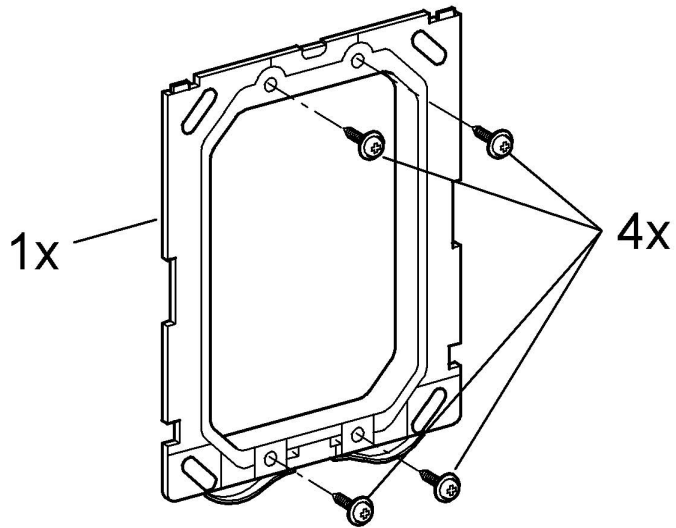
..... 6

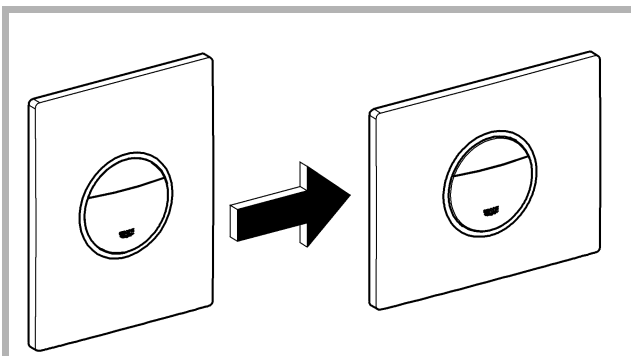
Design & Quality Engineering GROHE Germany

99.770.031/ÄM 222128/09.11

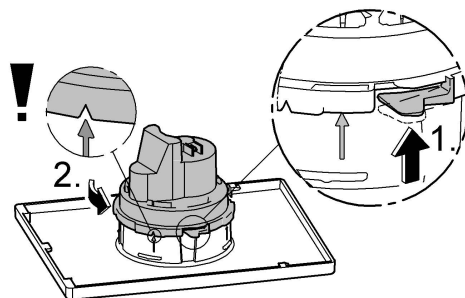
GROHE

ENJOY WATER®

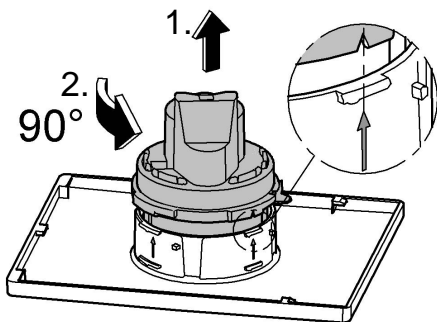




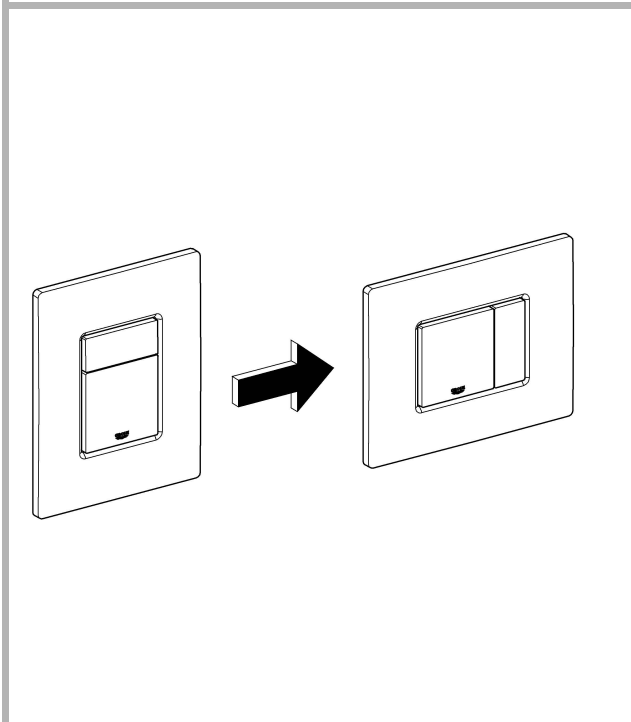
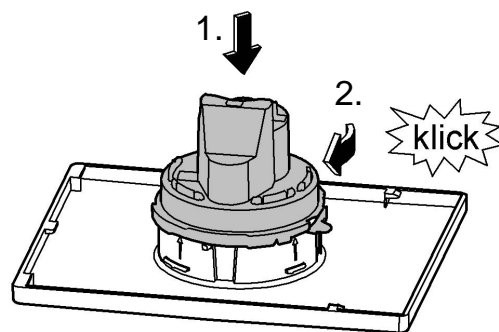
1



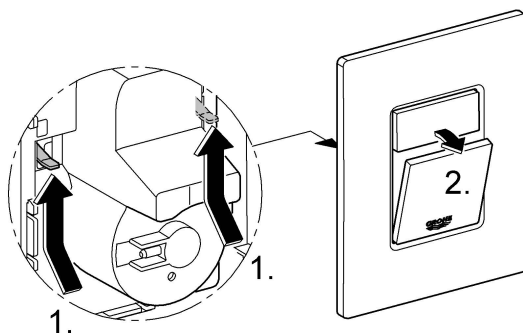
2



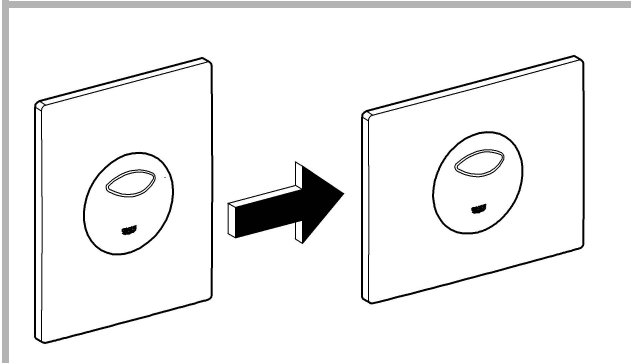
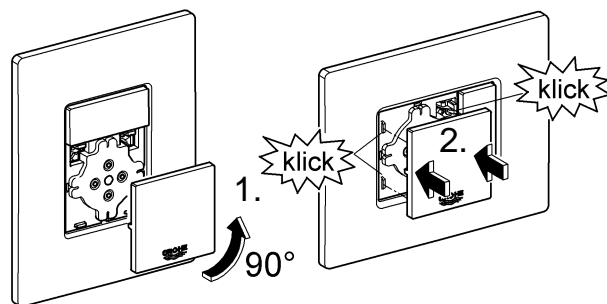
3



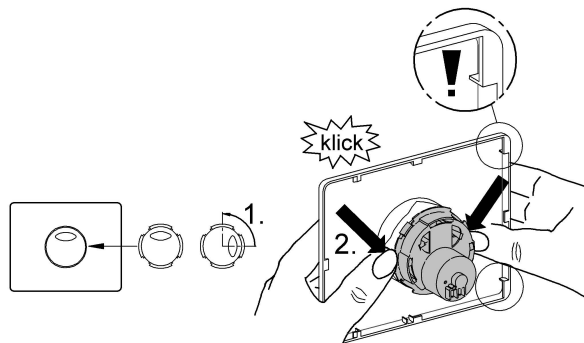
1

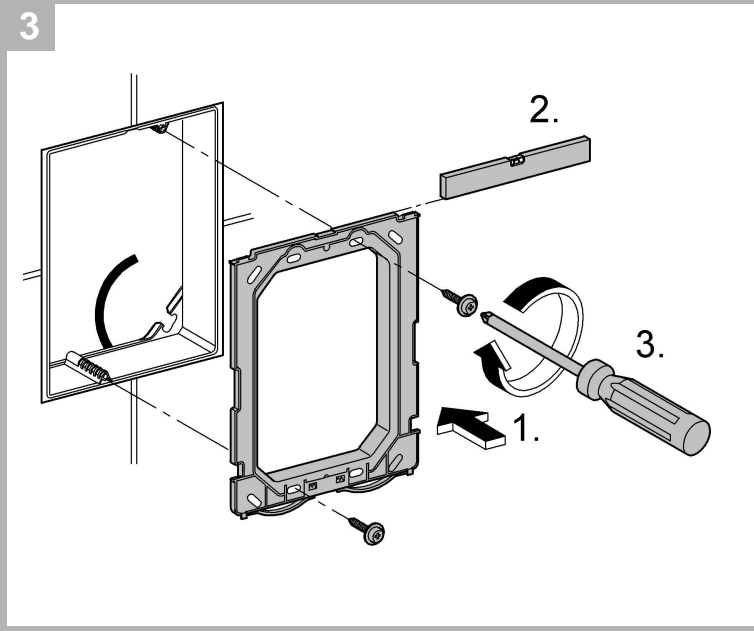
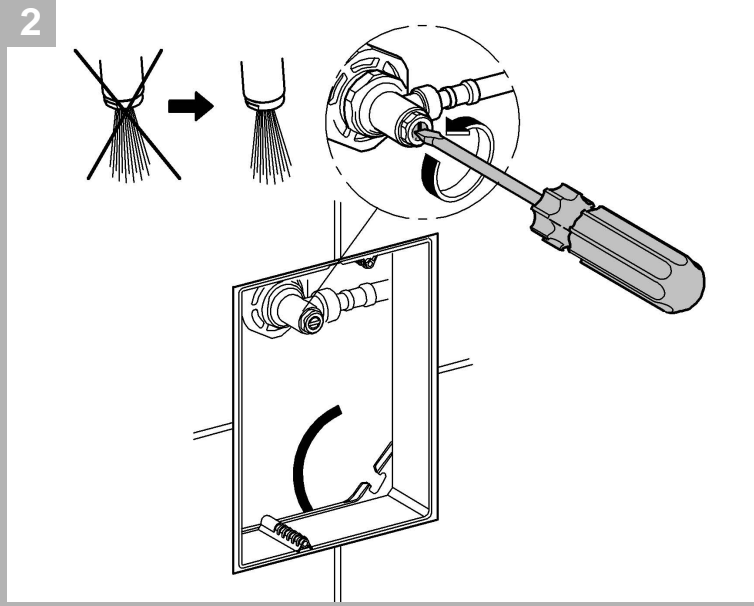
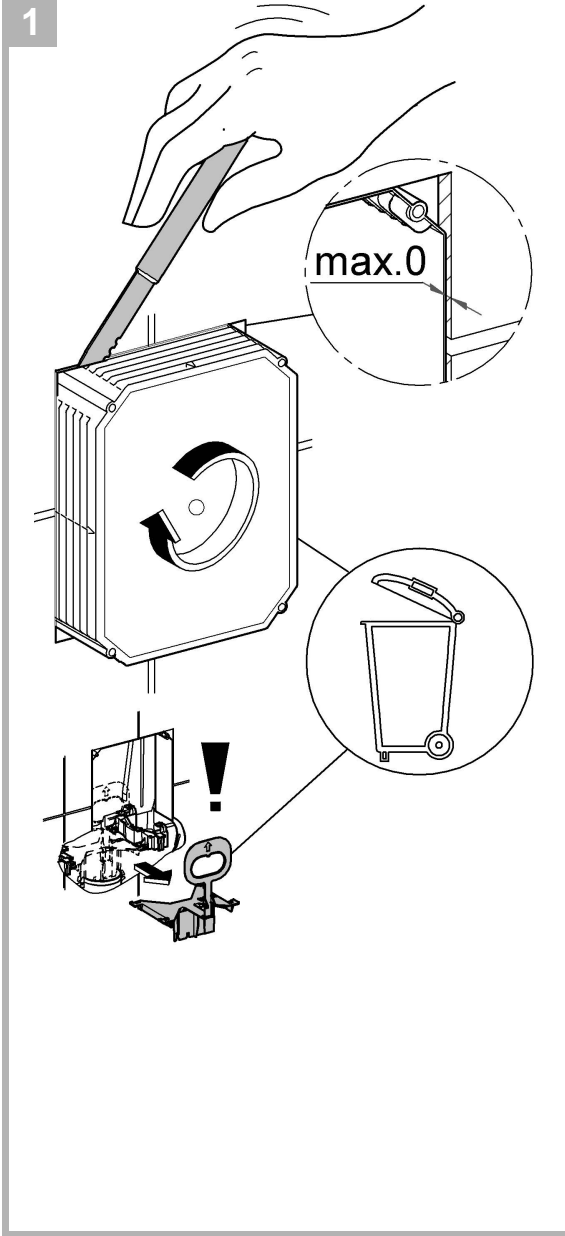
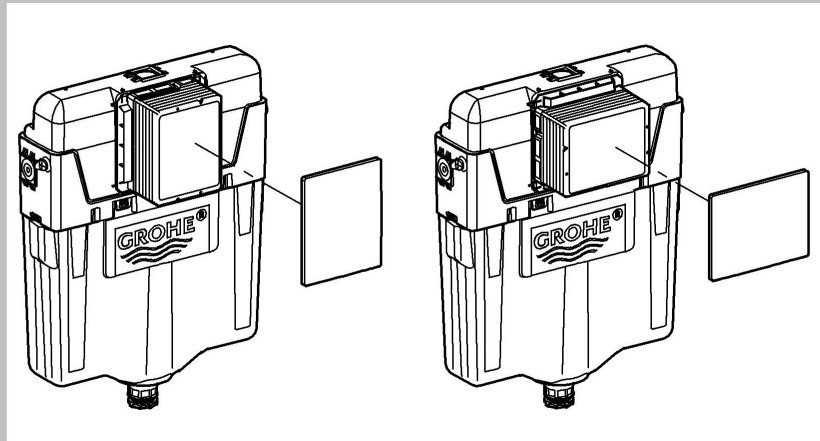


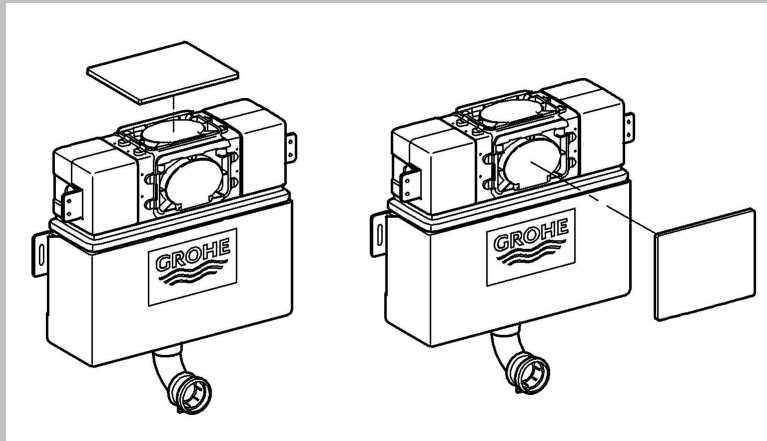
2



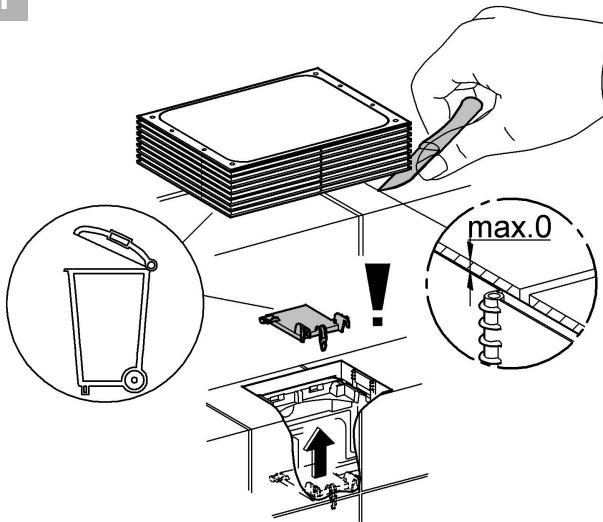
1



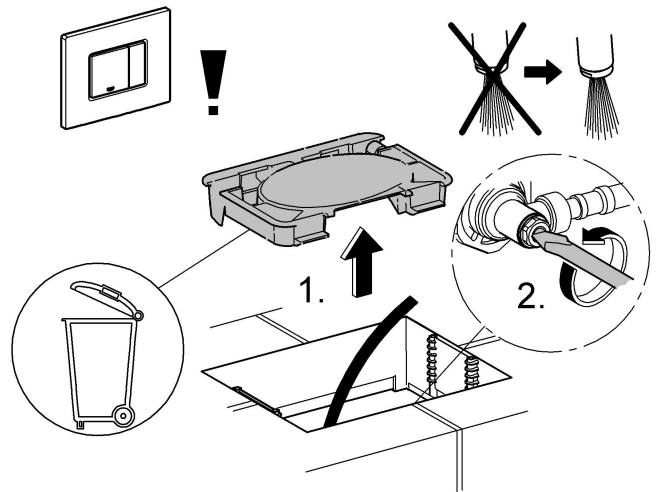




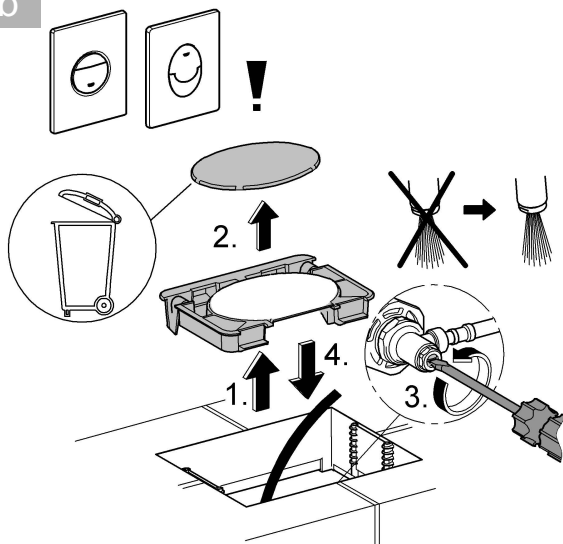
1



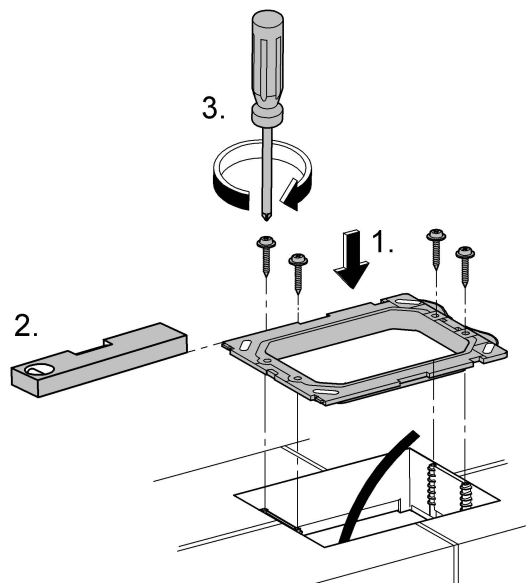
2a



2b

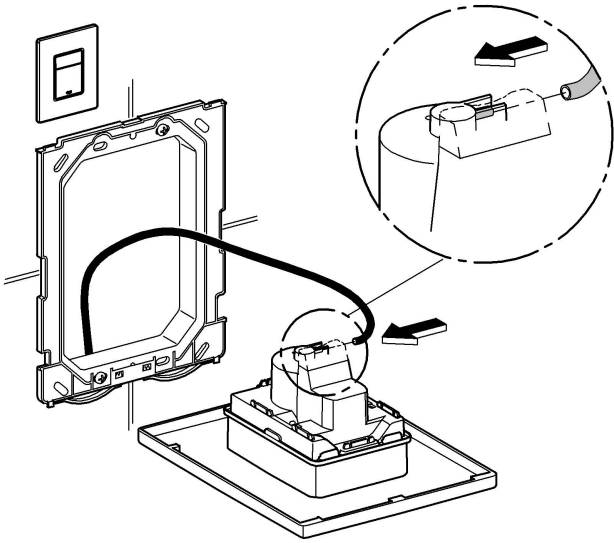


3

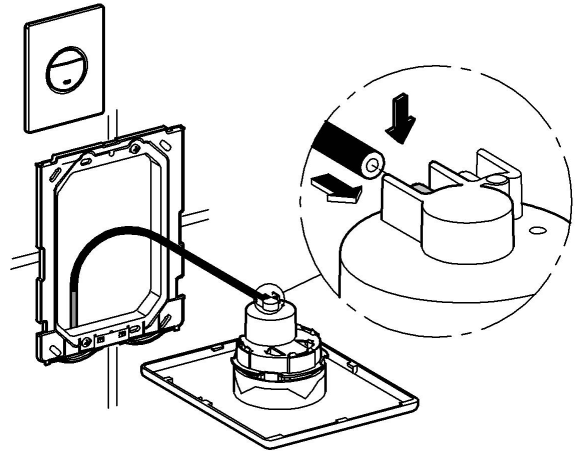




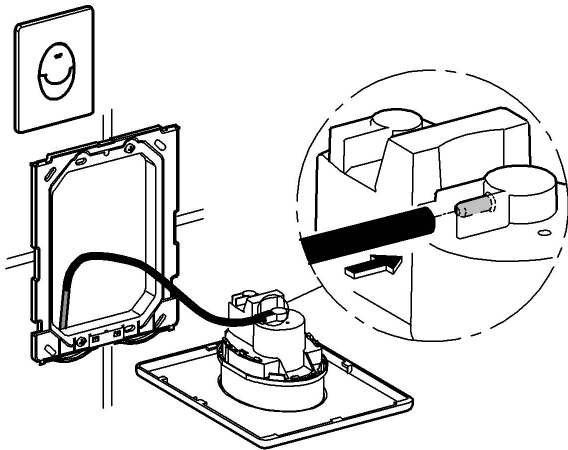
4a



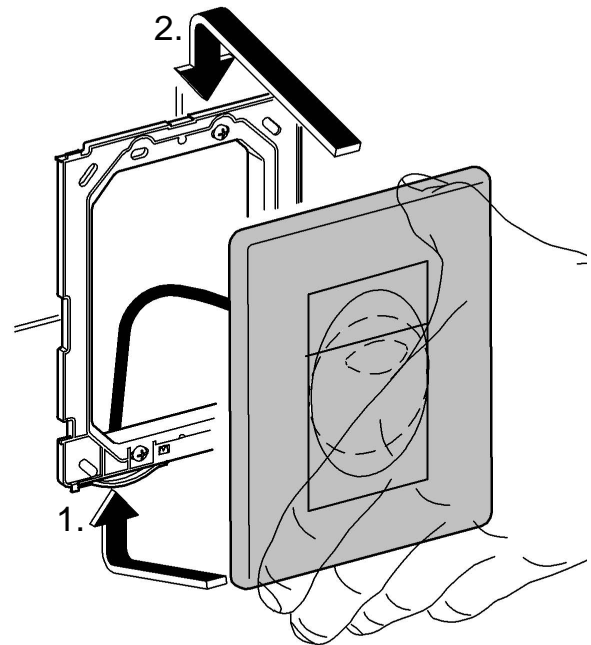
4b



4c



5a



5b

