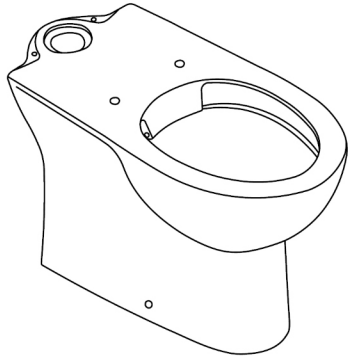
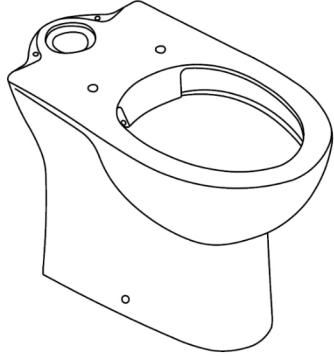
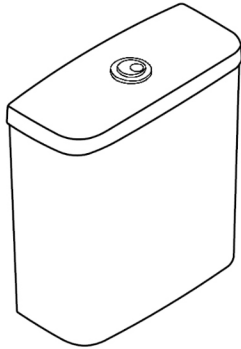
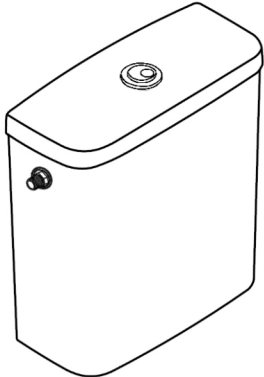
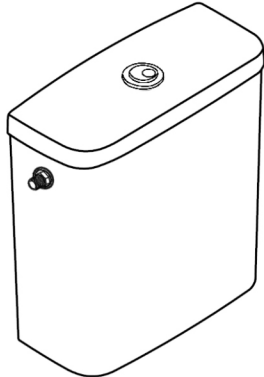
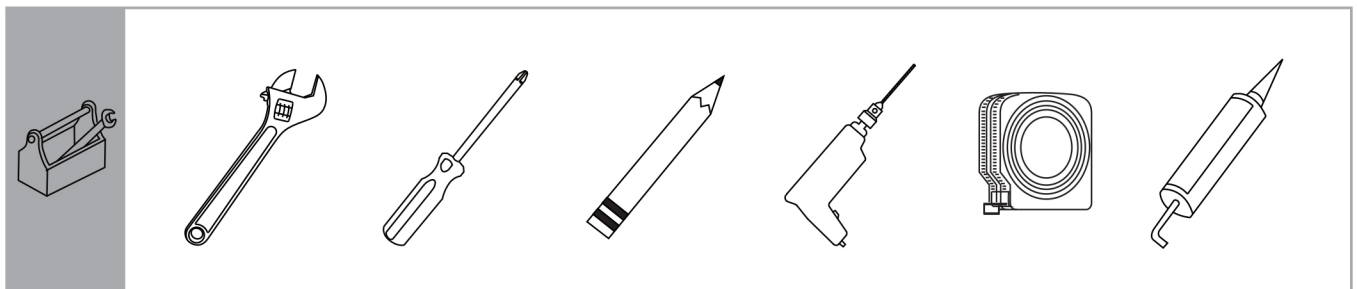
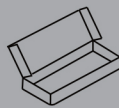




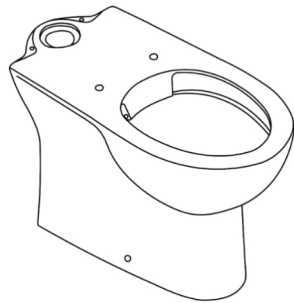
<p>39429000</p> 	<p>39349000</p> 
<p>39428000</p> 	<p>39436000</p> 
<p>39437000</p> 	<p>39494000</p> 





39429000

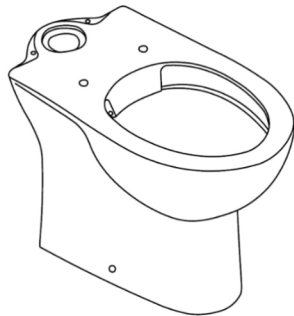
- 2X
- 2X
- 2X
- 2X
- 2X
- 2X



— 1X

39349000

- 2X
- 2X
- 2X
- 2X
- 2X
- 2X



— 1X

39428000

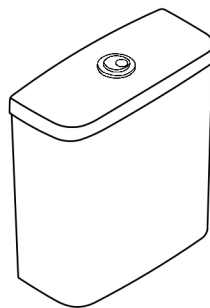
- 2X
- 2X
- 2X
- 2X
- 2X
- 2X



— 1X

39436000

- 1X
- 4X
- 2X
- 2X

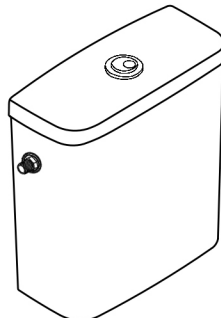


— 1X

39437000

39494000

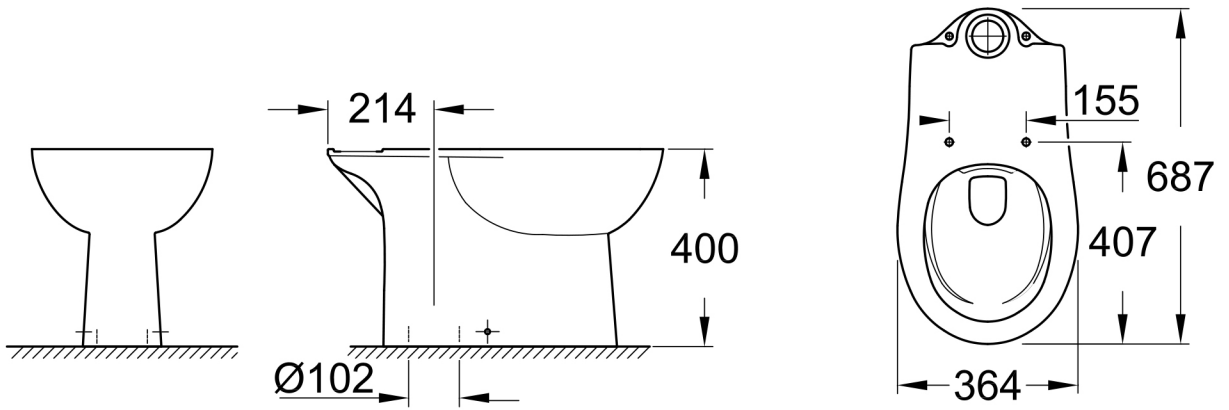
- 1X
- 4X
- 2X
- 2X



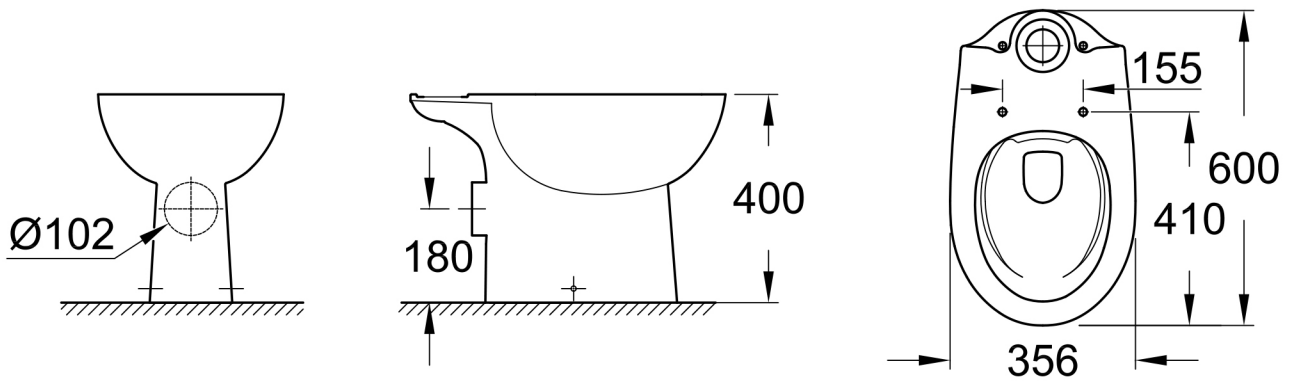
— 1X



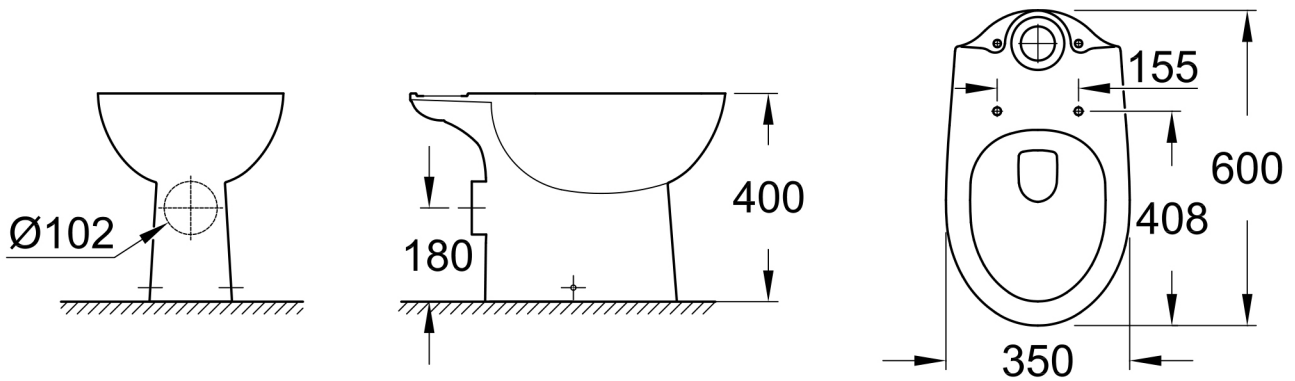
39429000



39349000

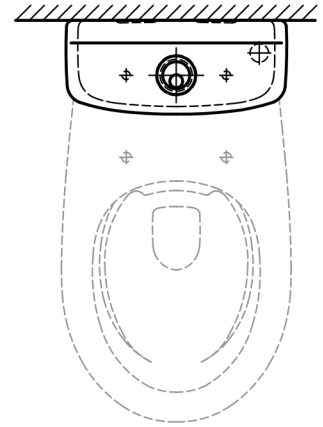
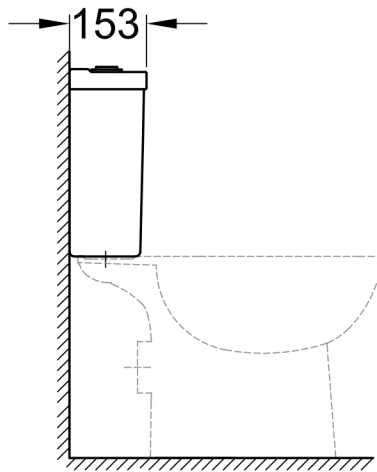
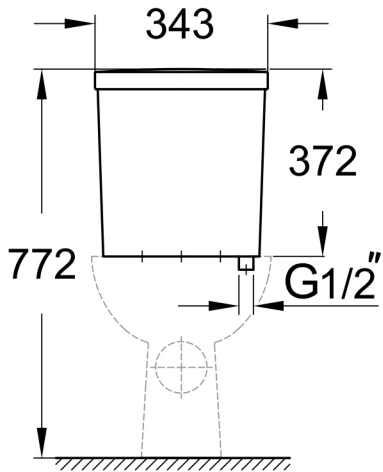


39428000

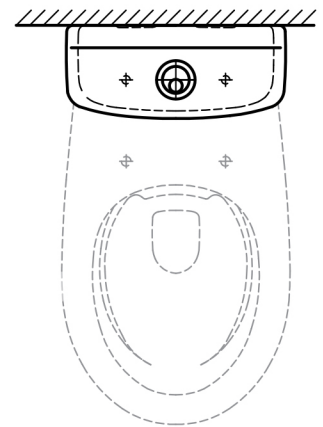
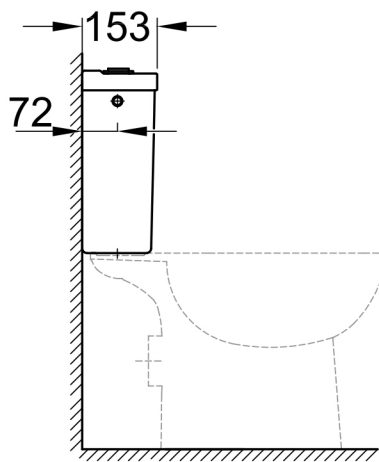
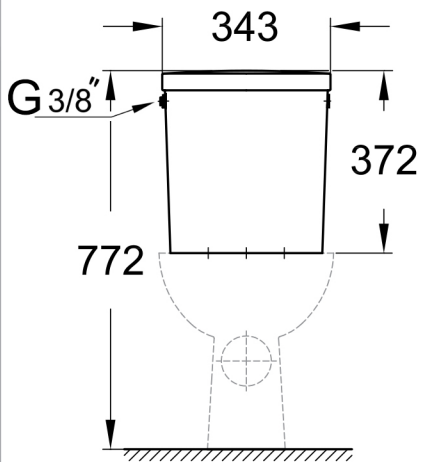




39436000



39437000



39434000

