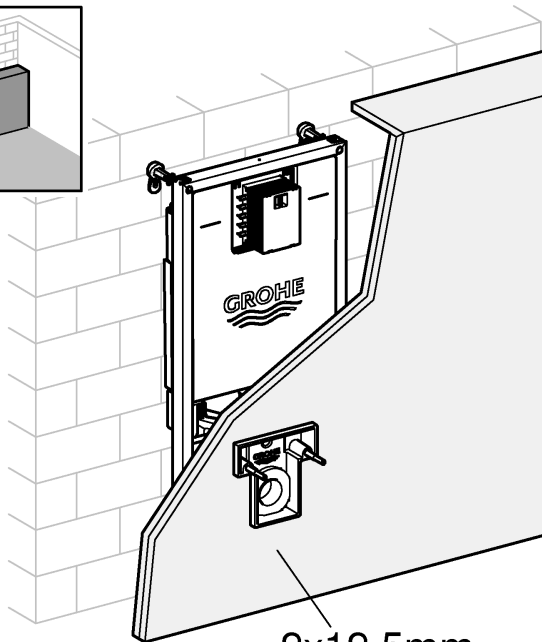
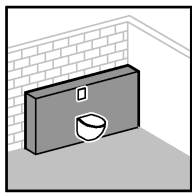


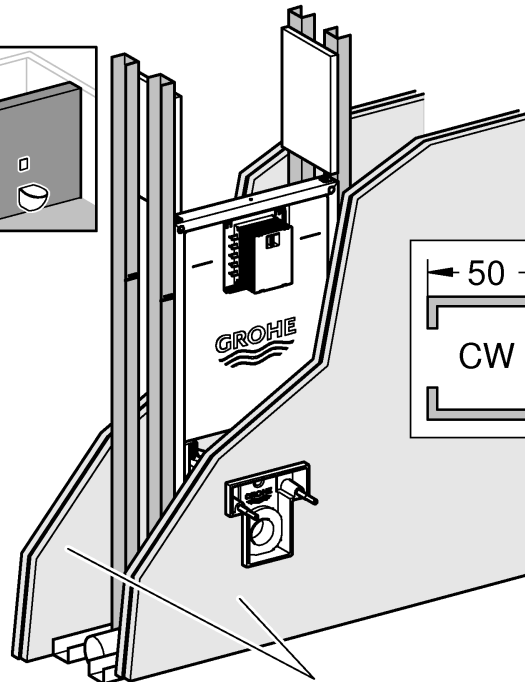
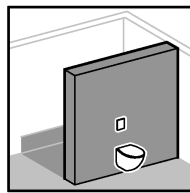


2 - 4



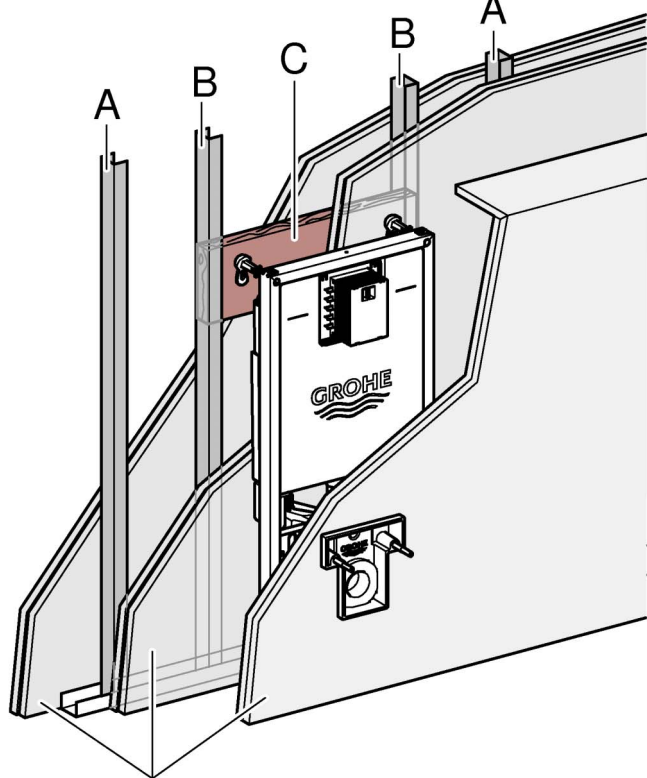
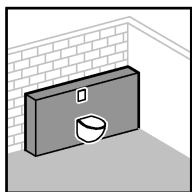
2x12,5mm

5 - 6



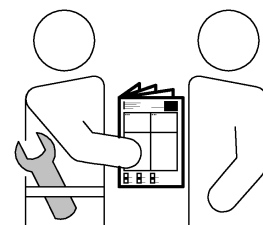
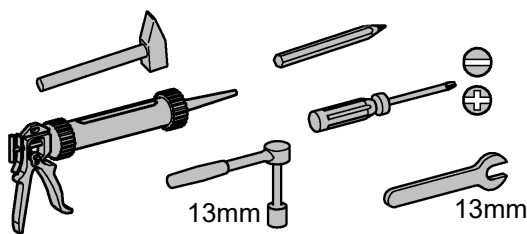
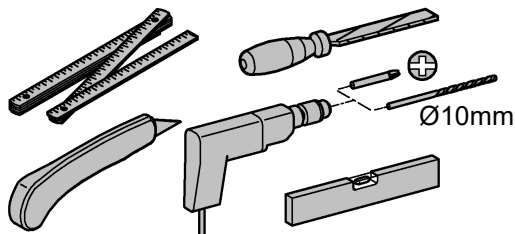
2x12,5mm

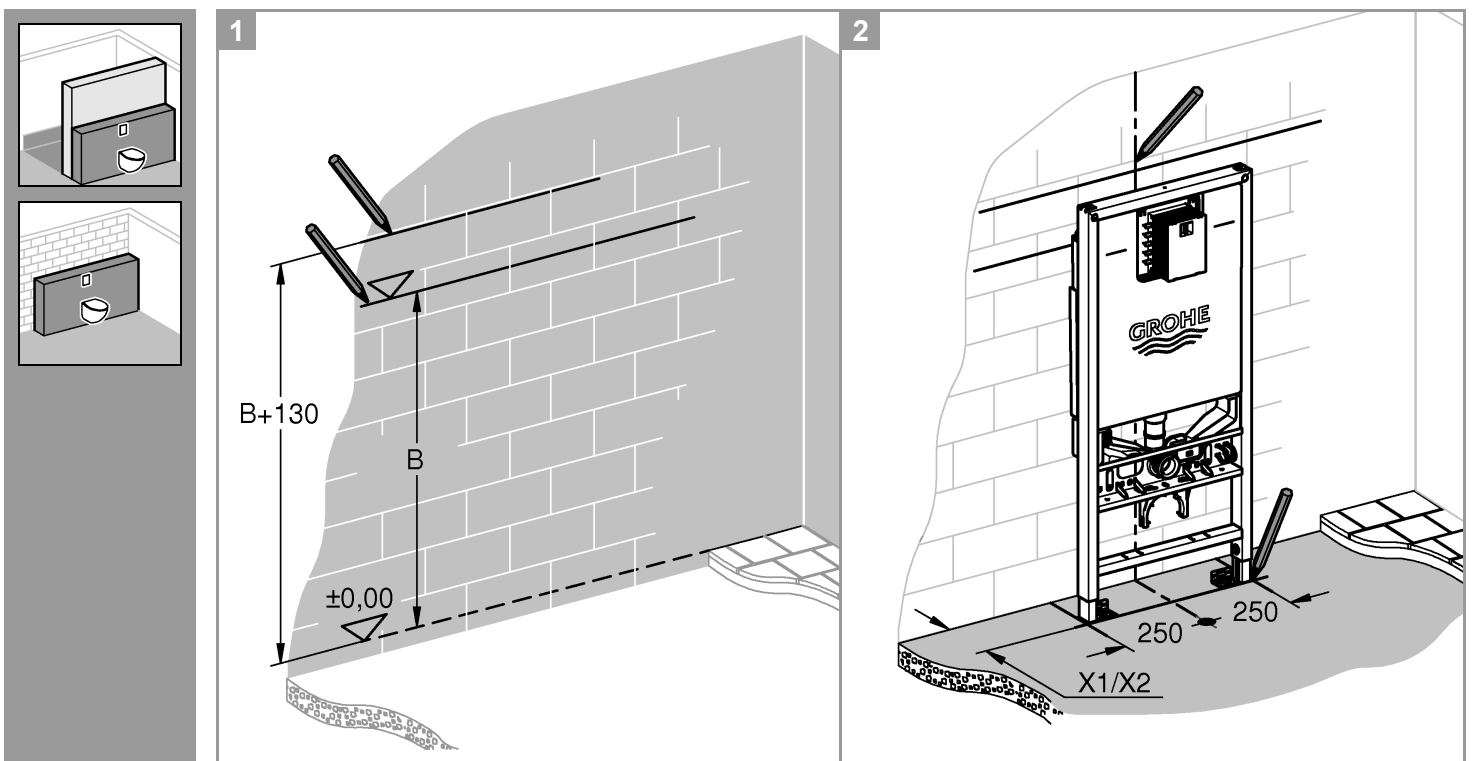
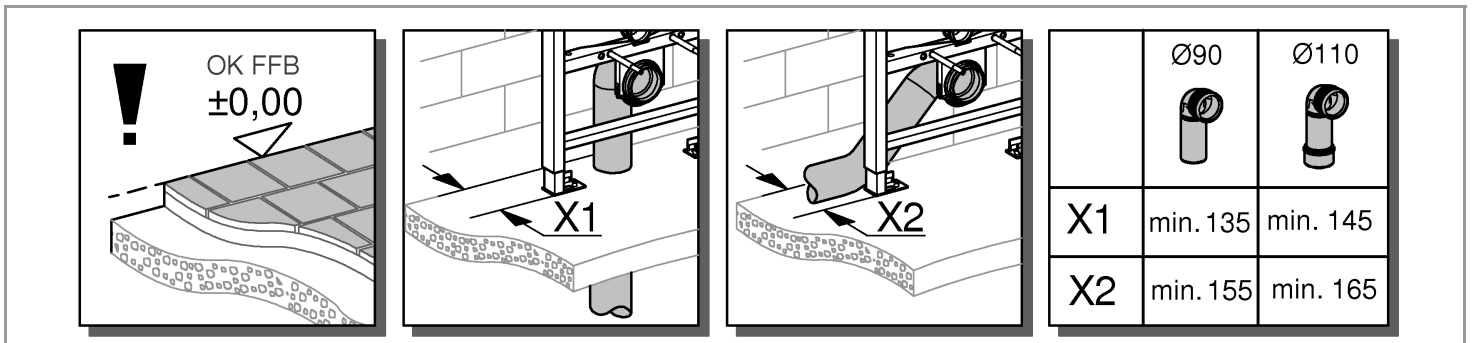
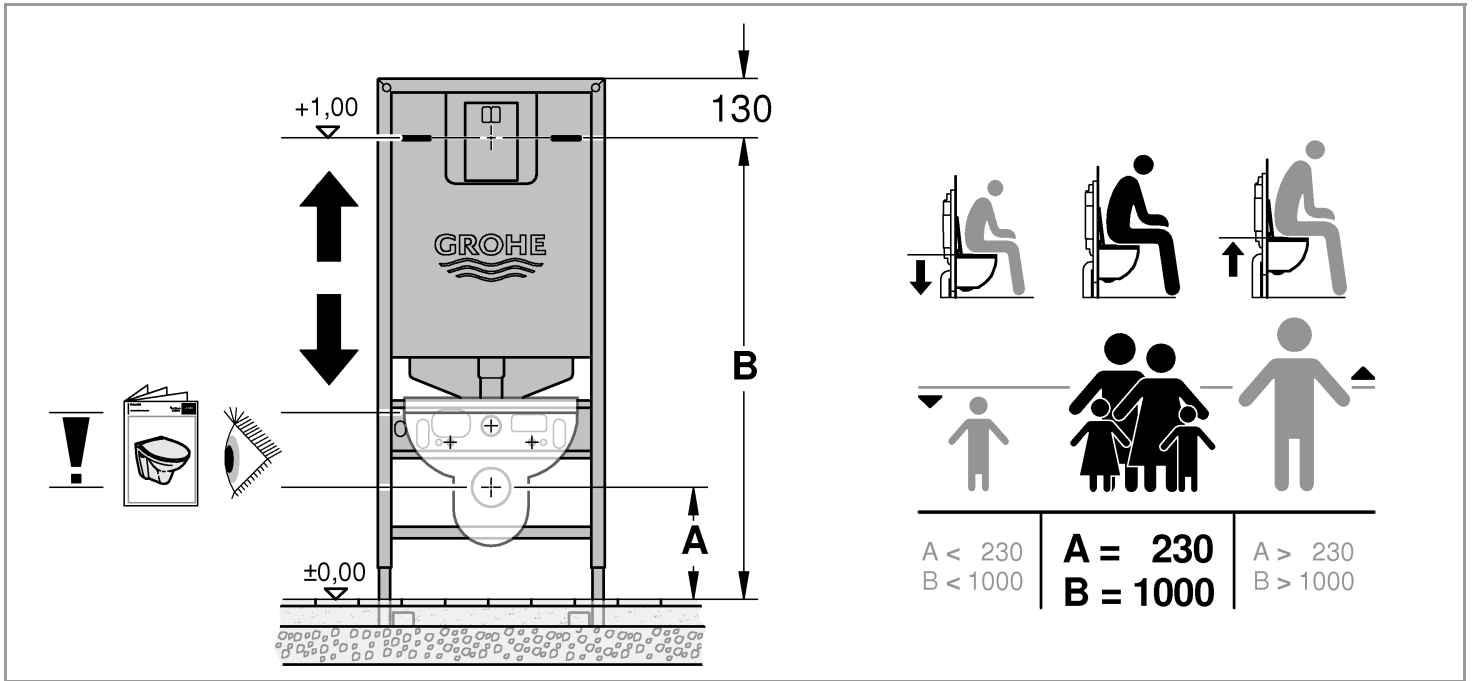
2 - 4



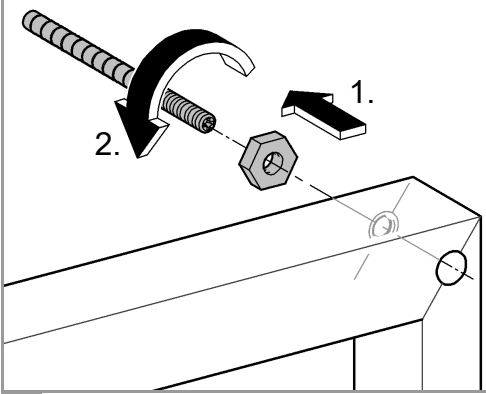
2x12,5mm

A	B	C
50x50x0,6	50x40x2	300x620x24
75x50x0,6	75x40x2	

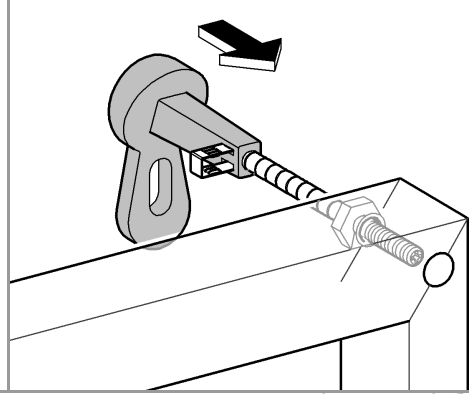




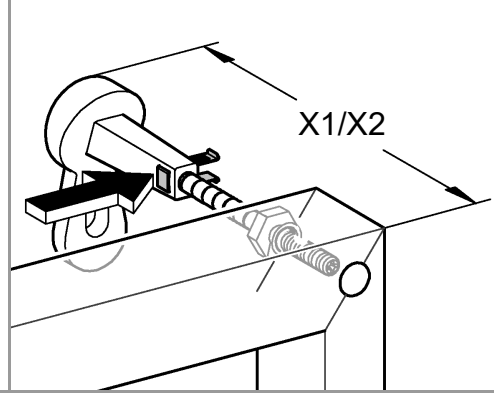
3



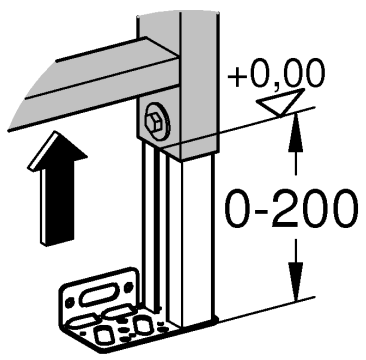
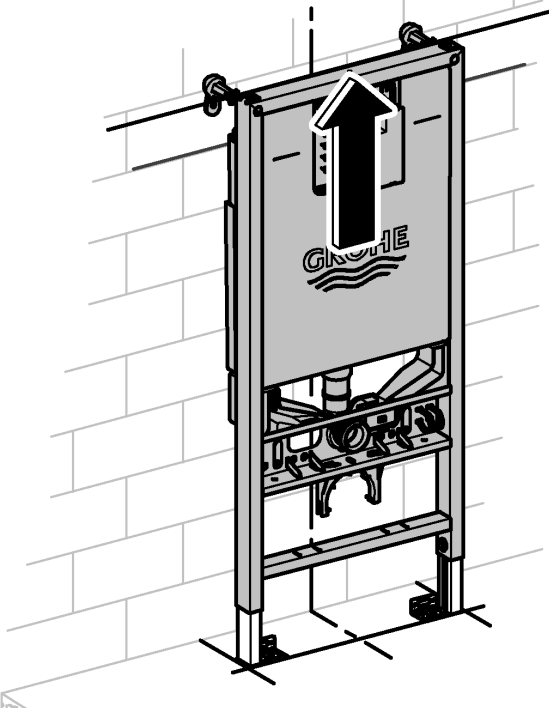
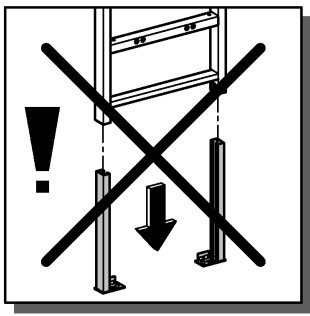
4



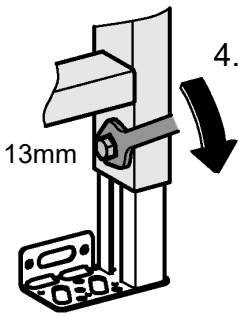
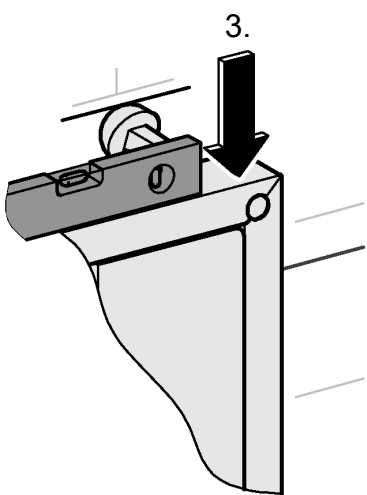
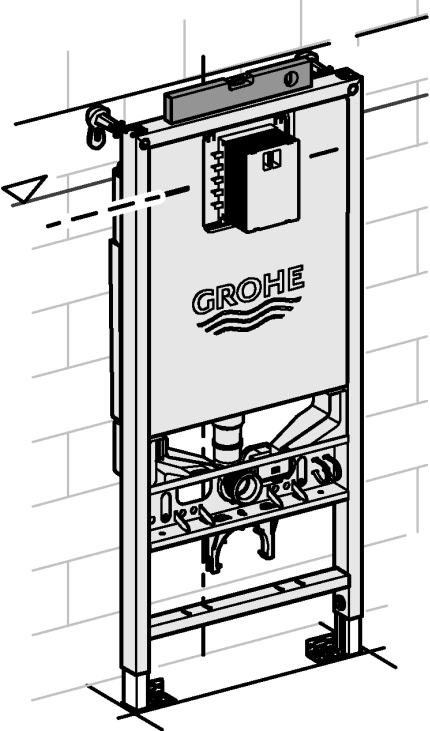
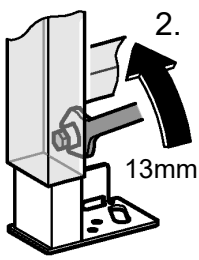
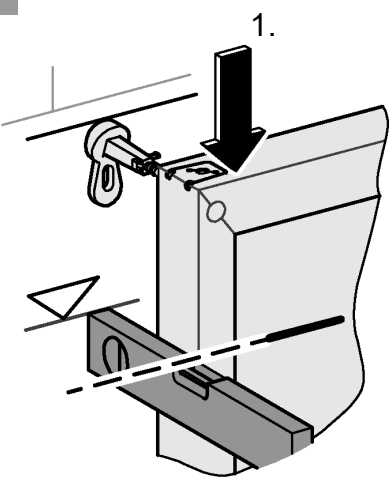
5

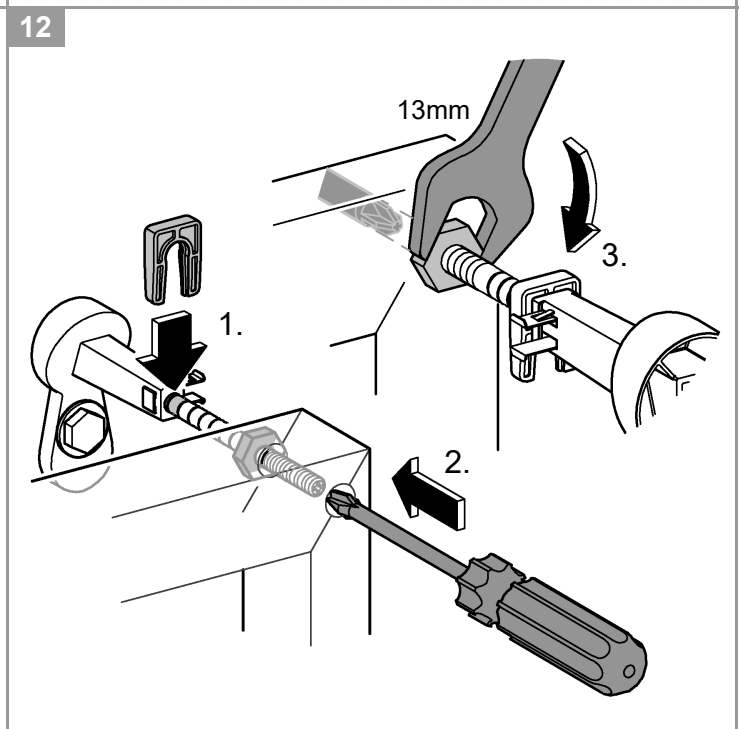
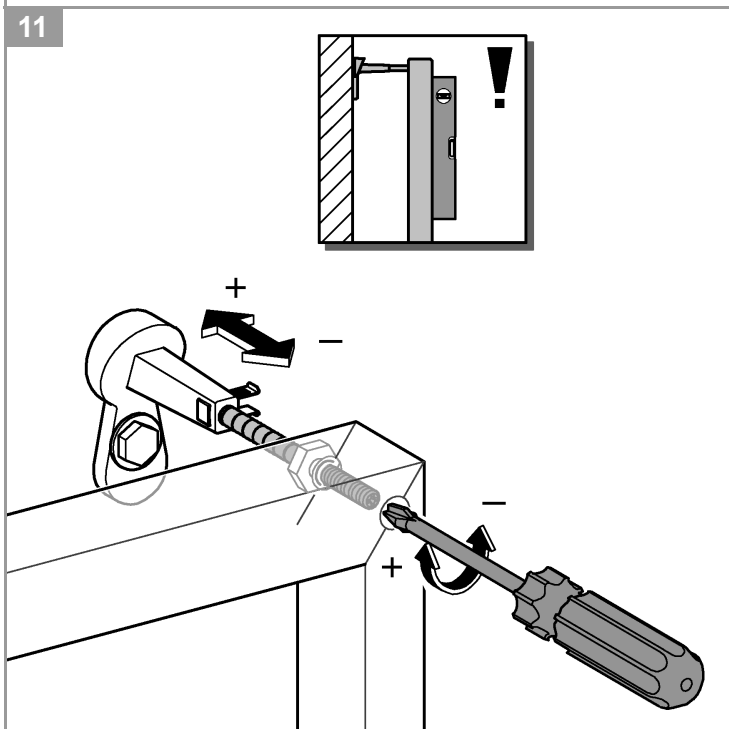
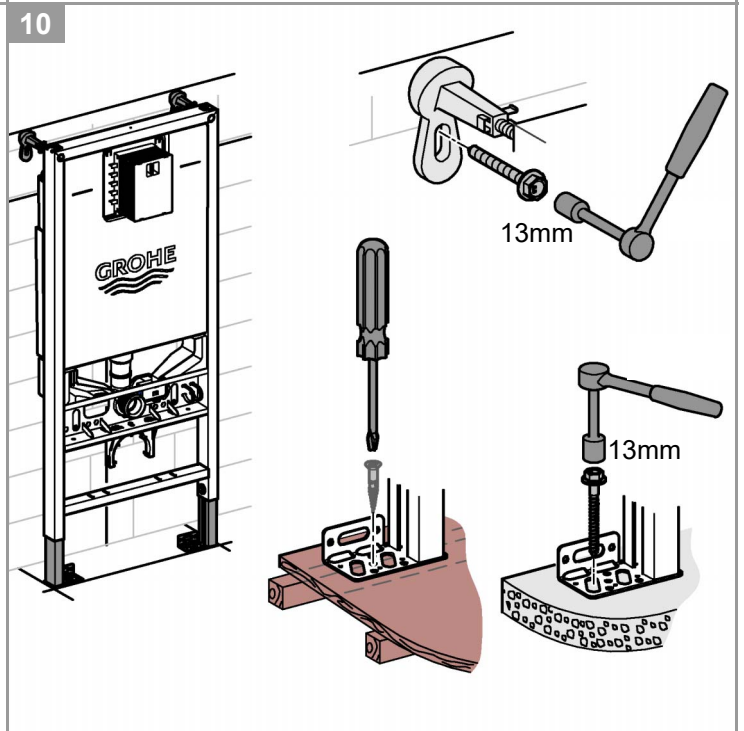
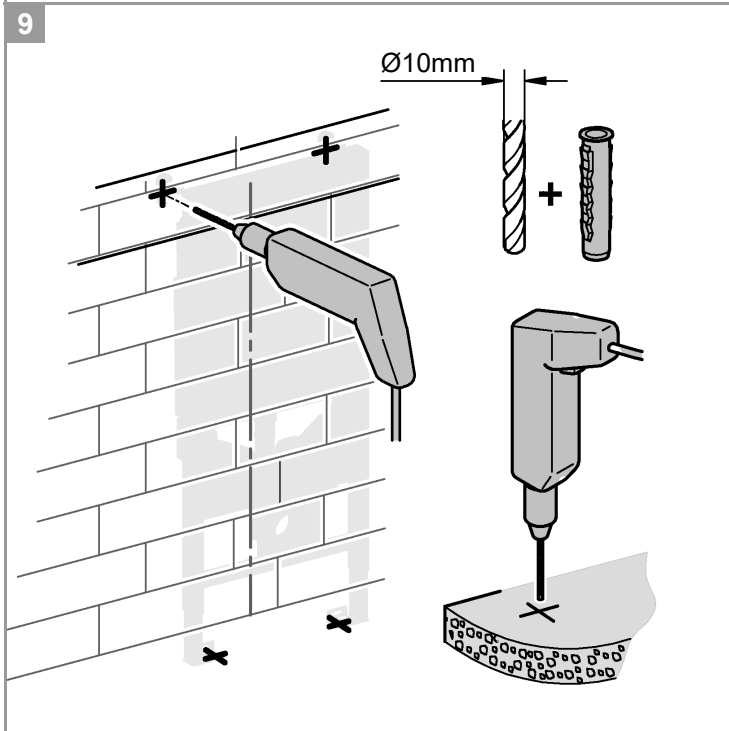
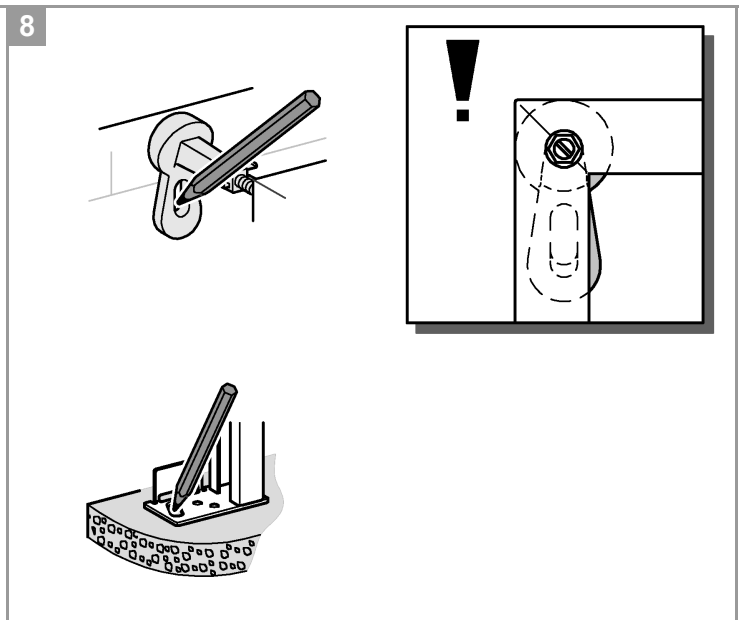
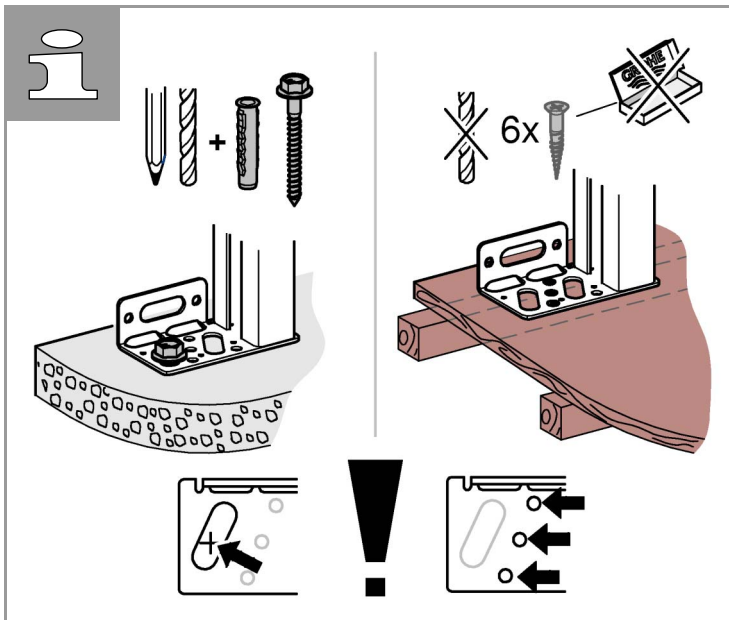


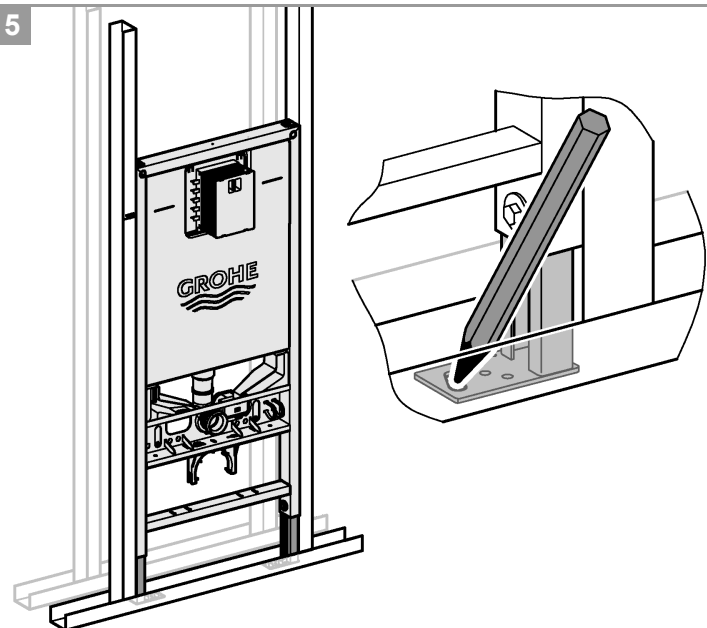
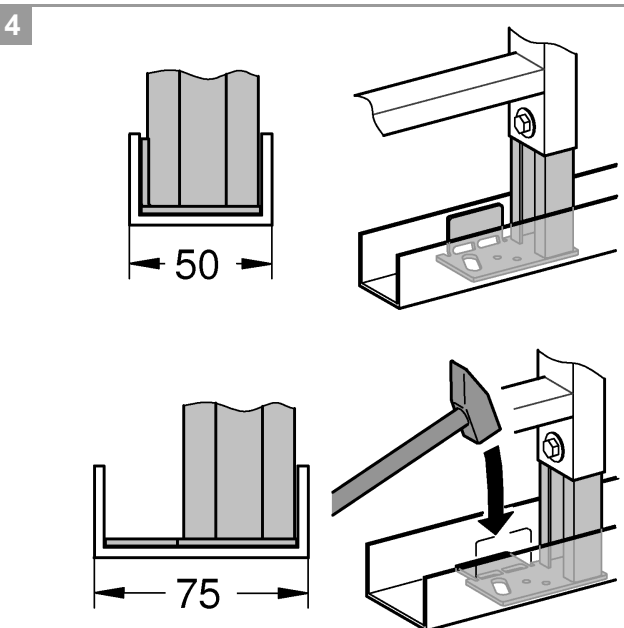
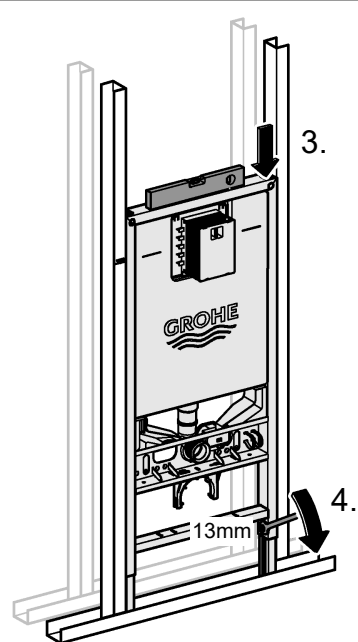
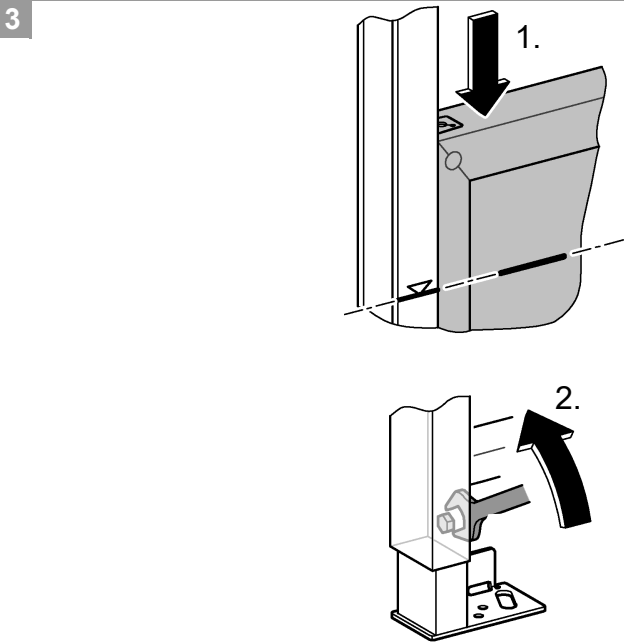
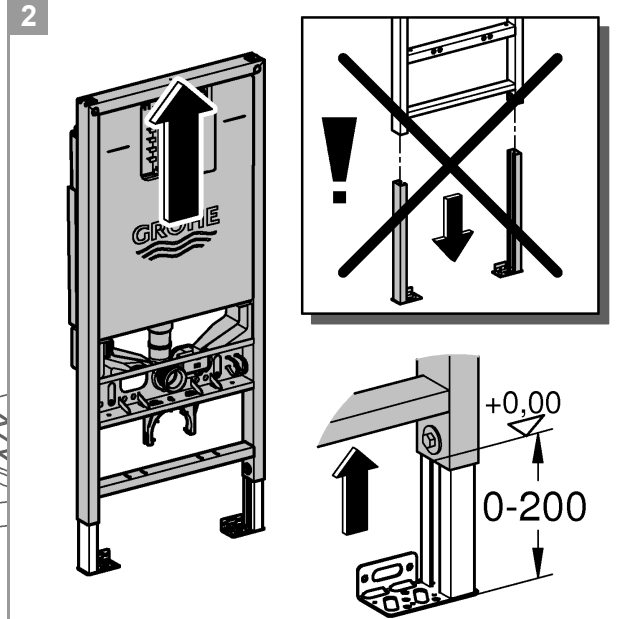
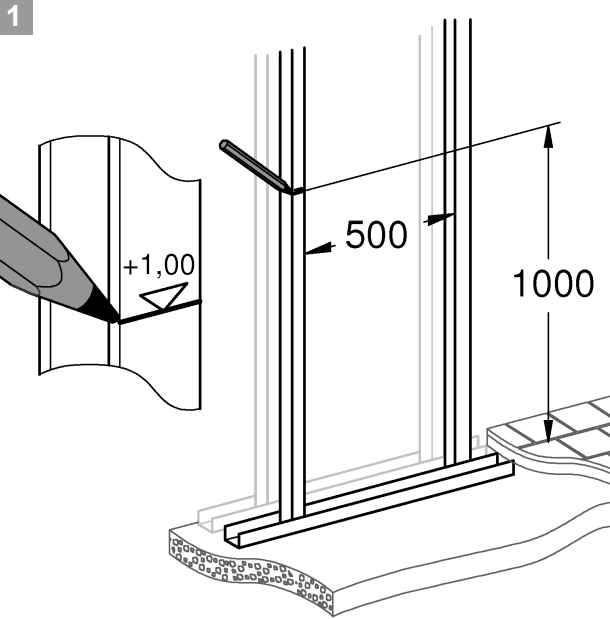
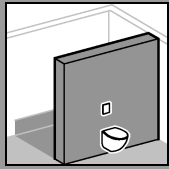
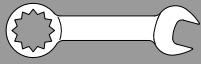
6



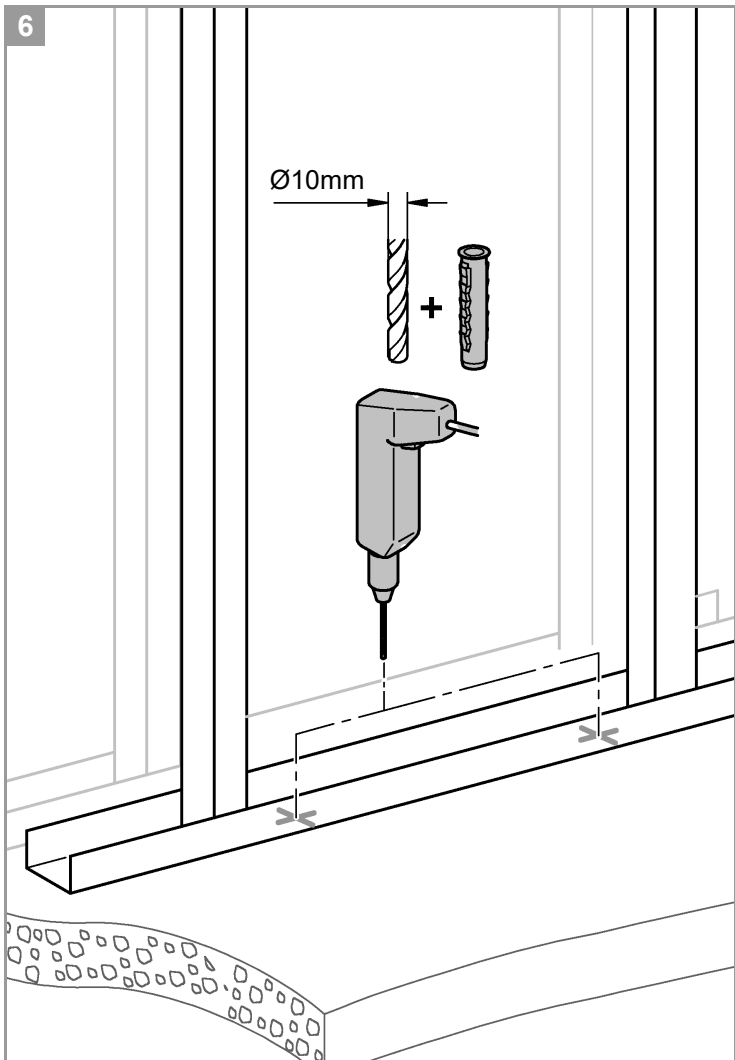
7



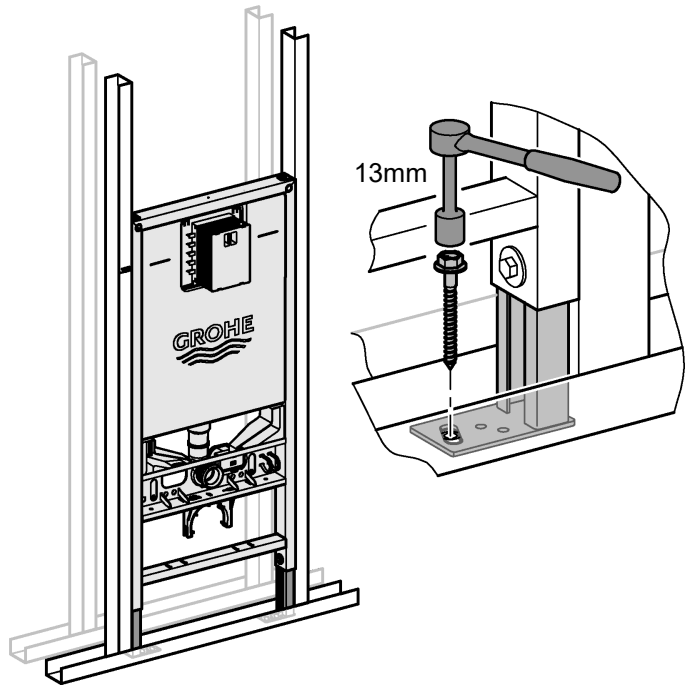




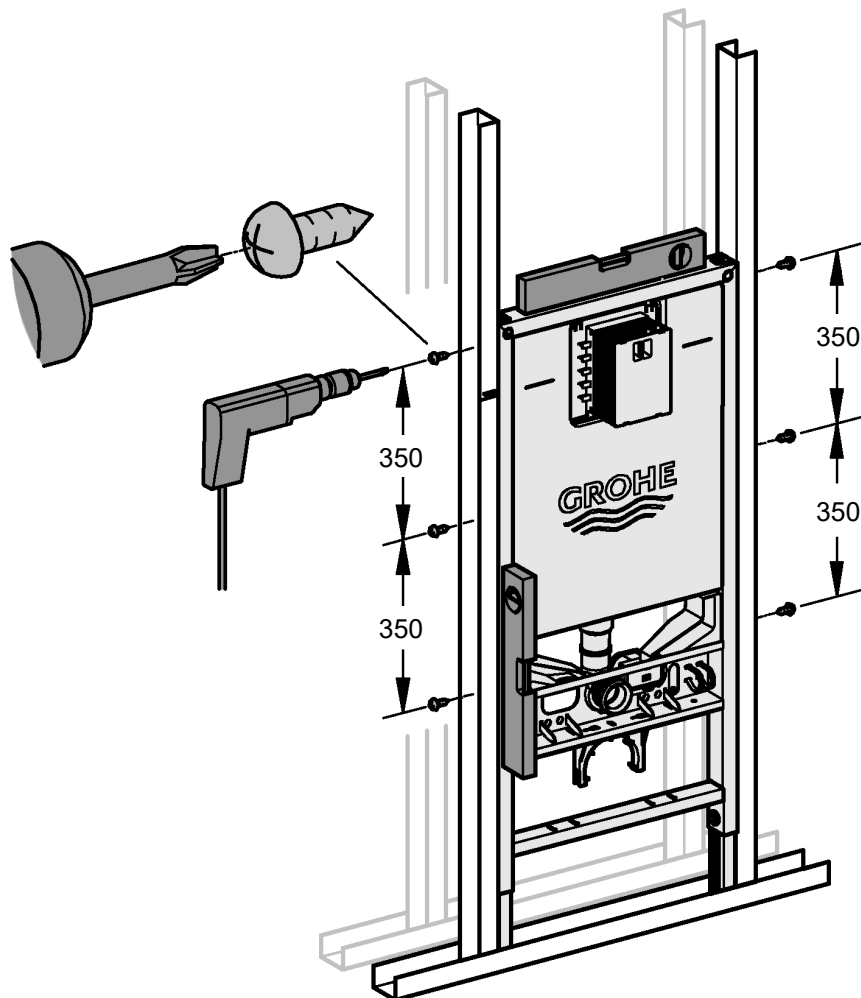
6

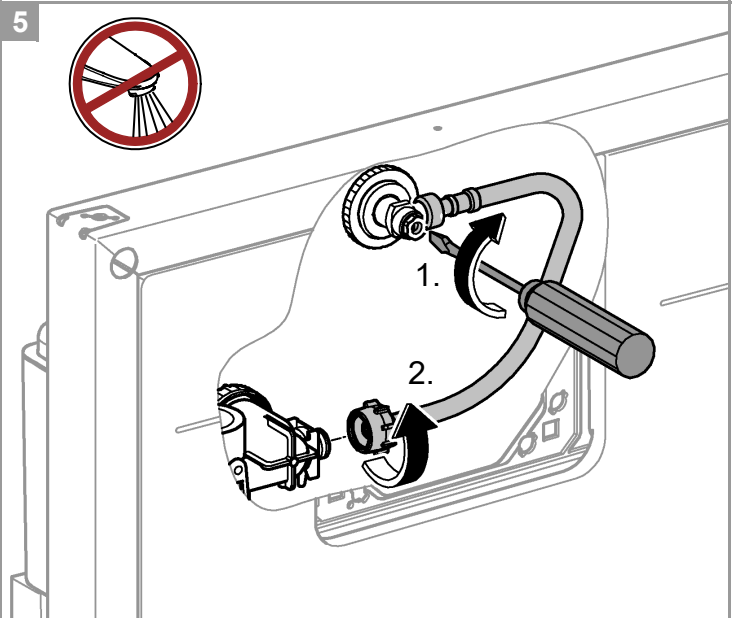
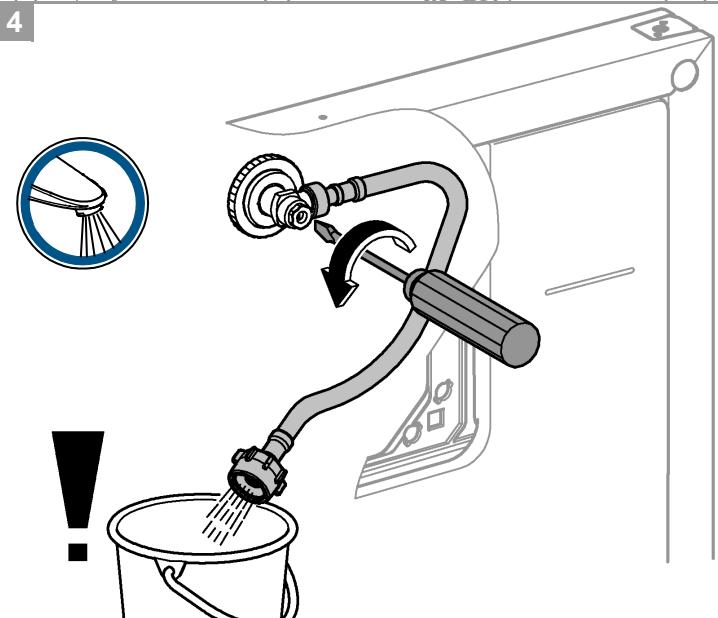
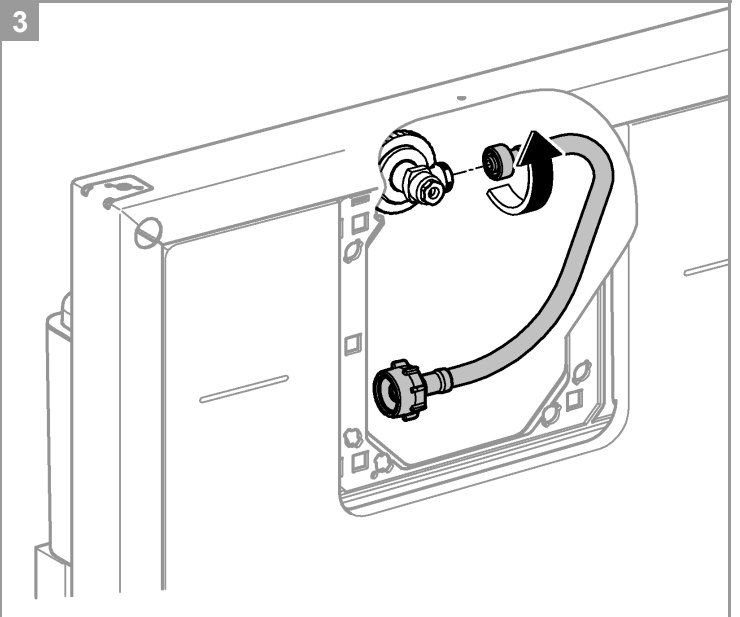
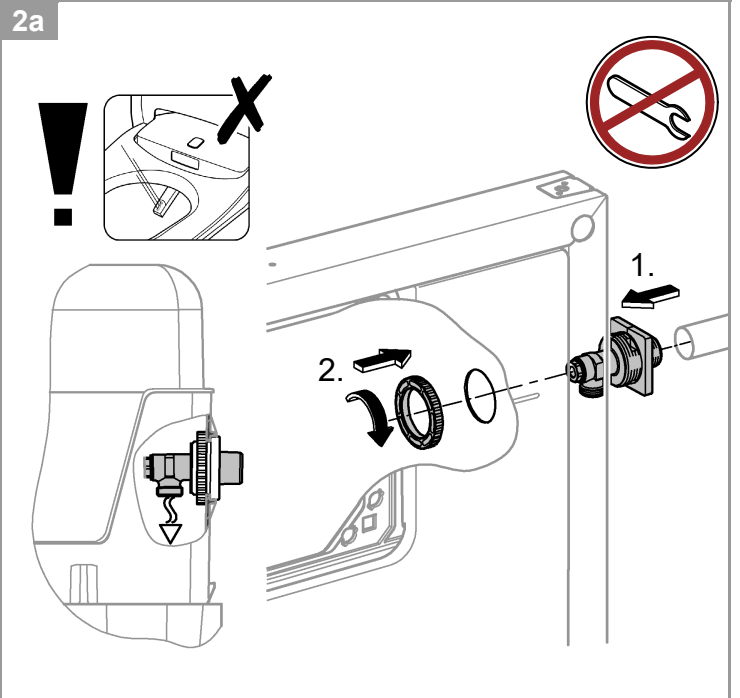
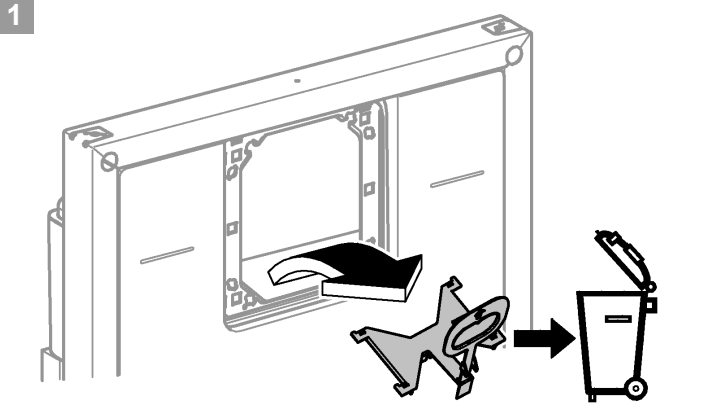
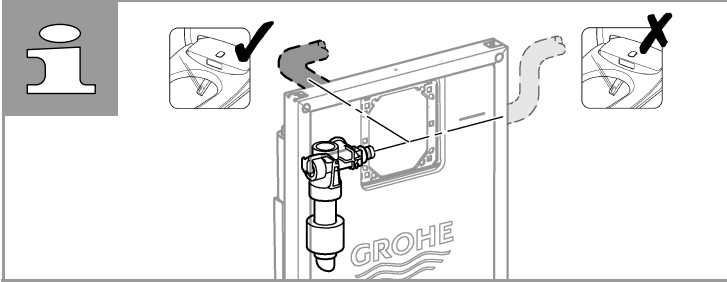
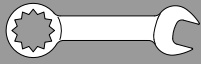


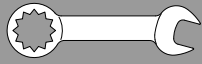
7



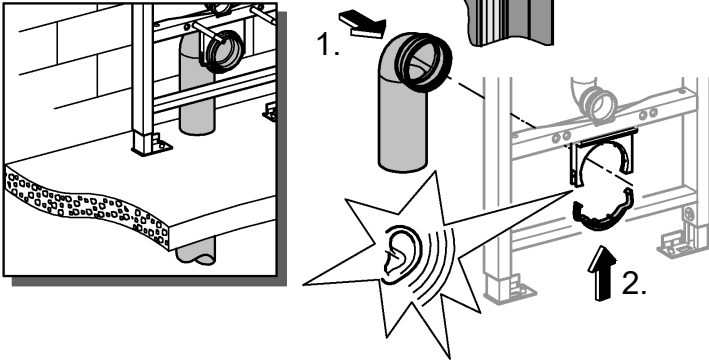
8



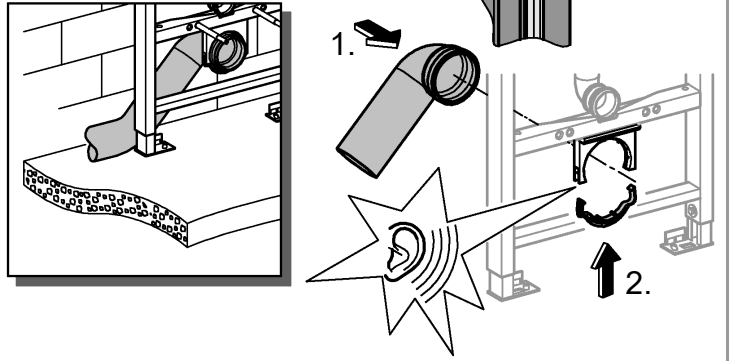




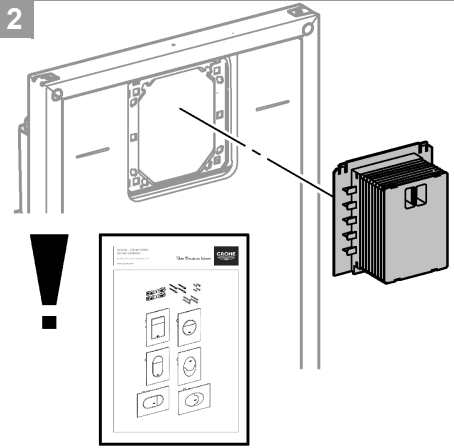
1a



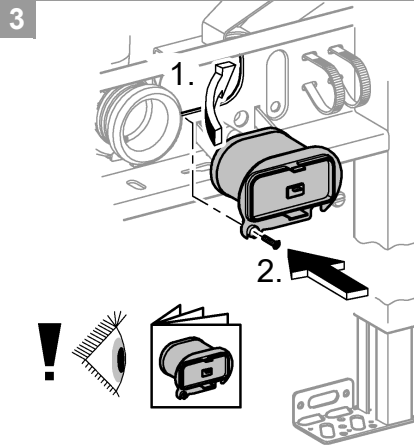
1b



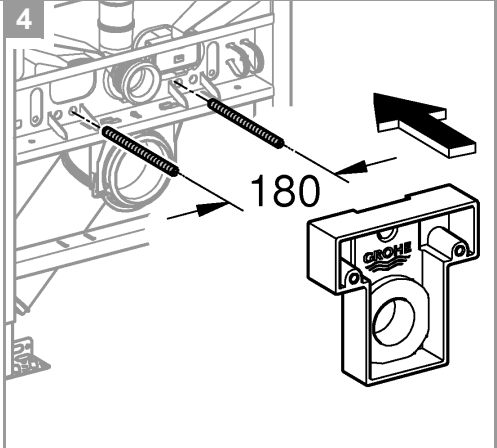
2



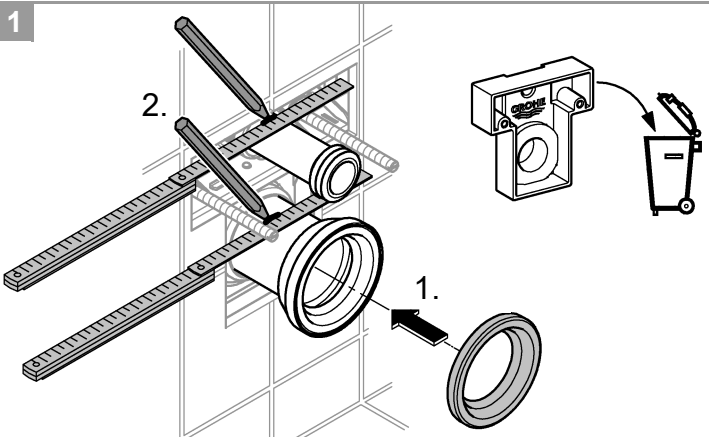
3



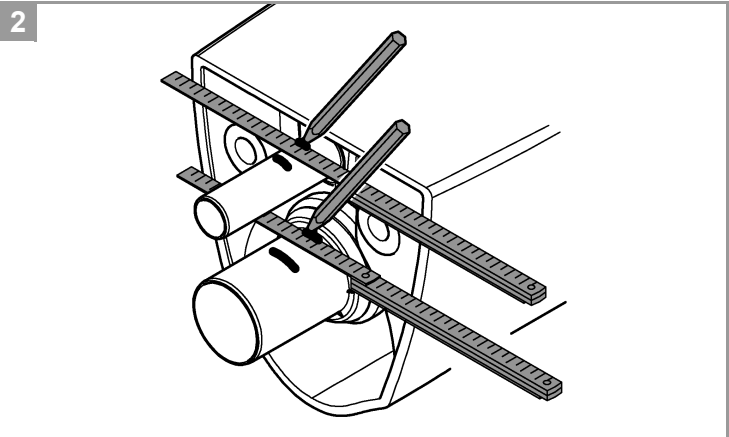
4



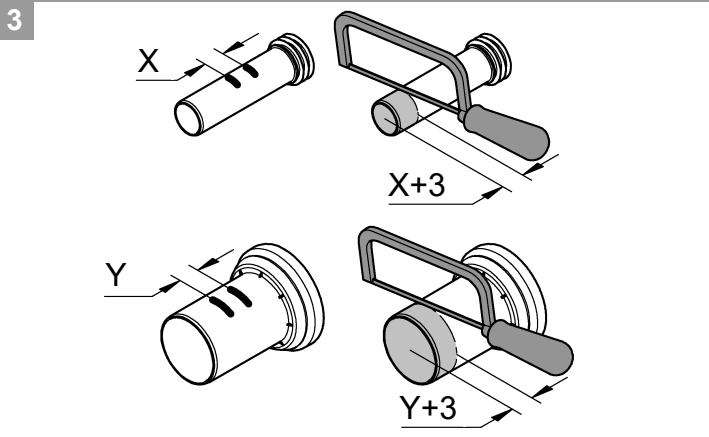
1



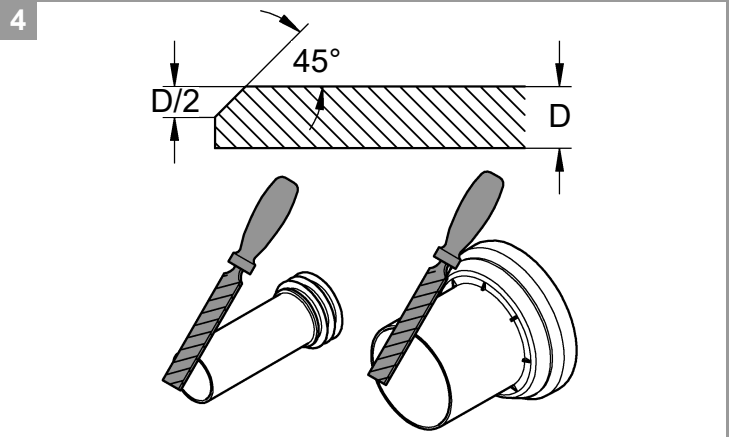
2

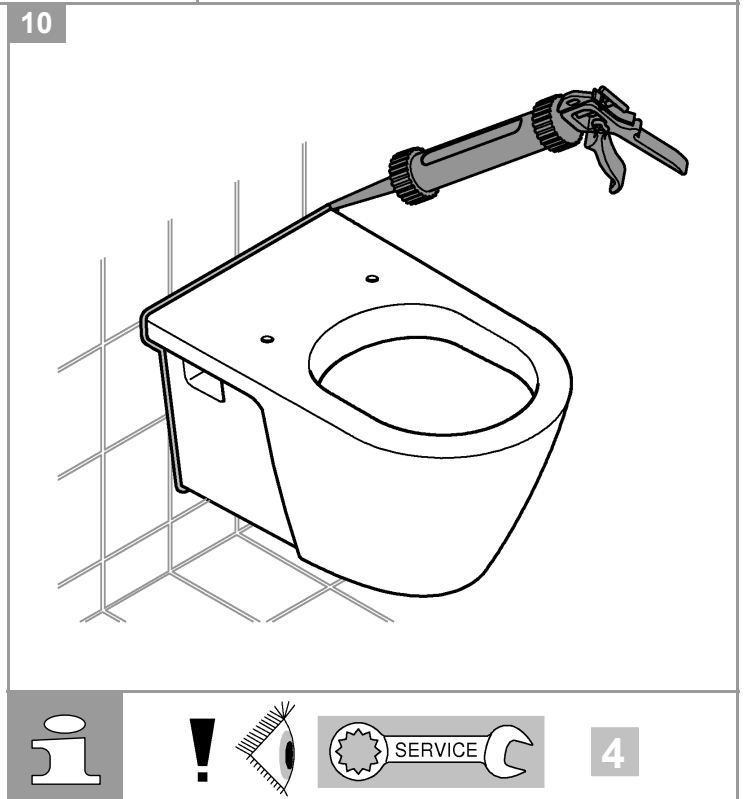
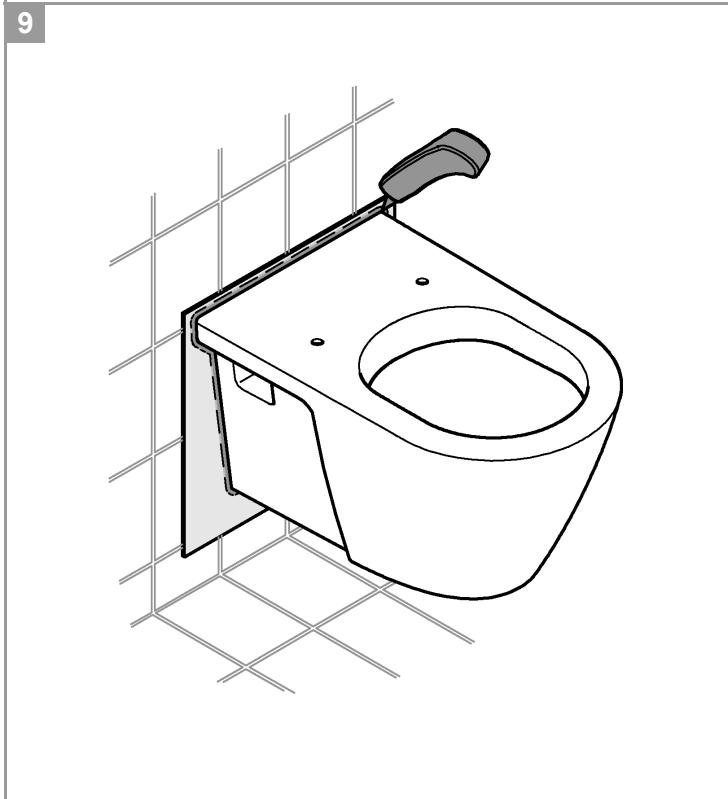
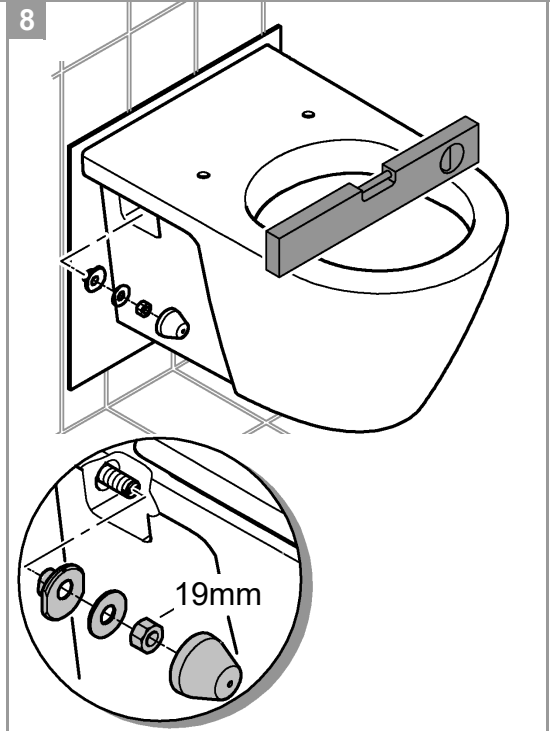
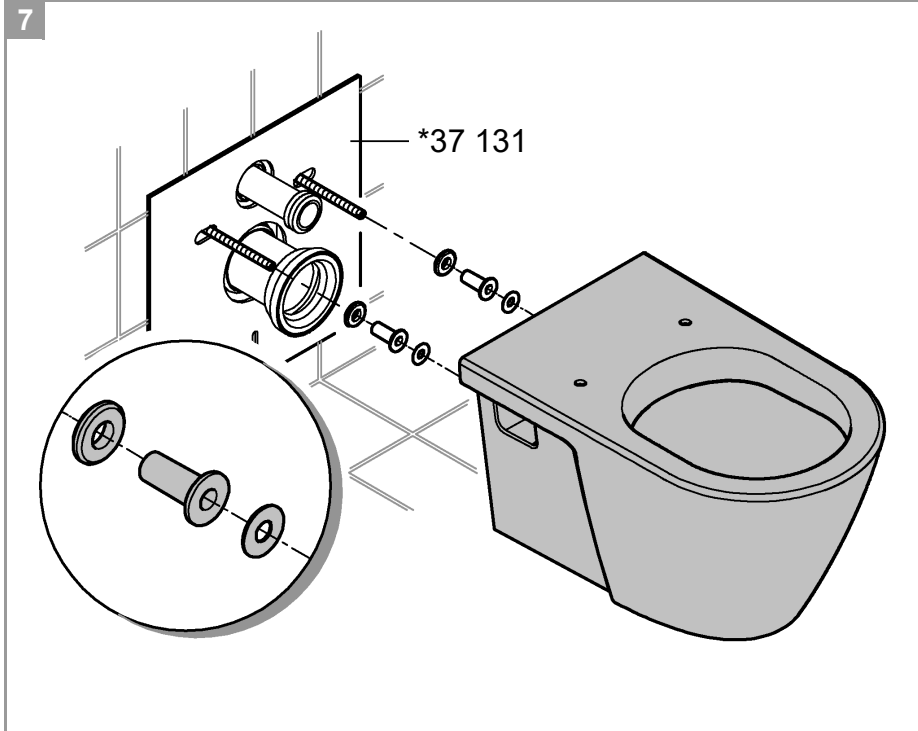
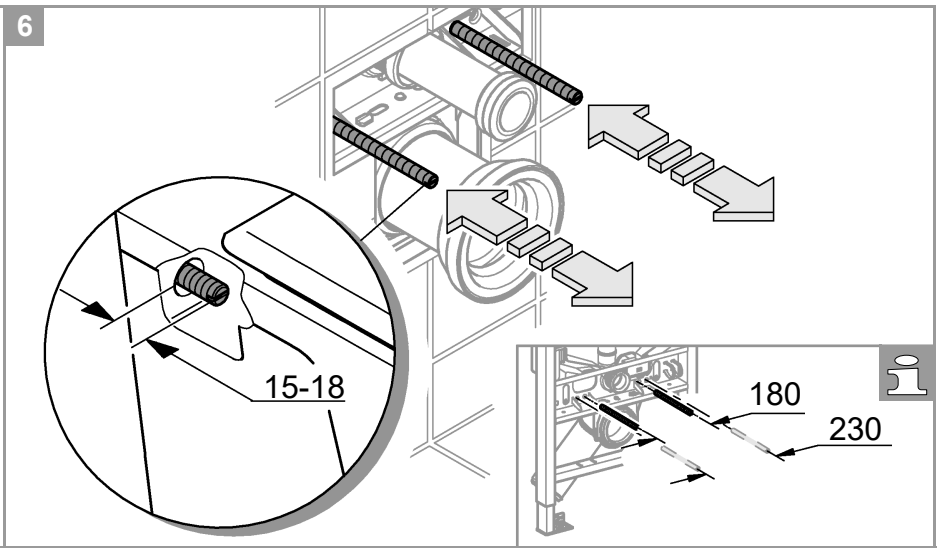
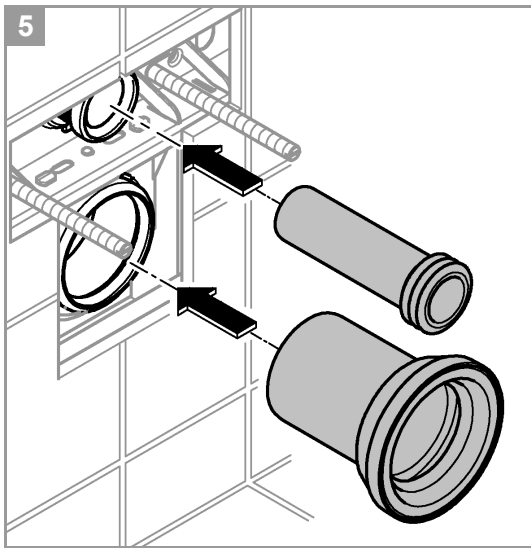







3

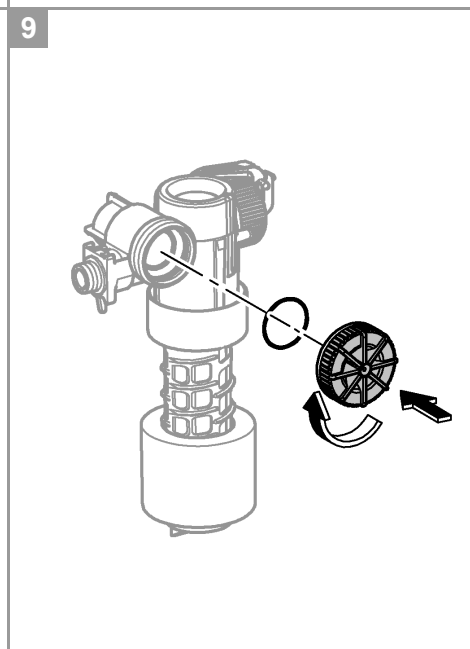
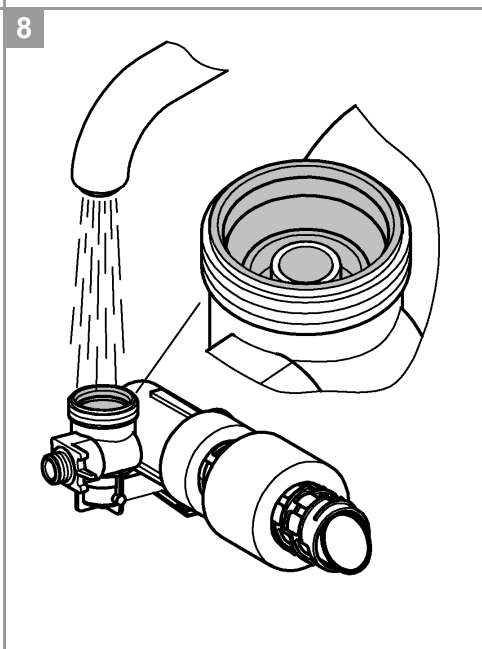
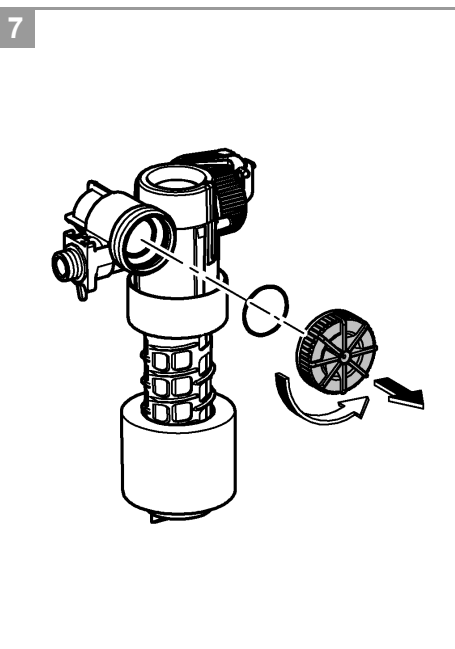
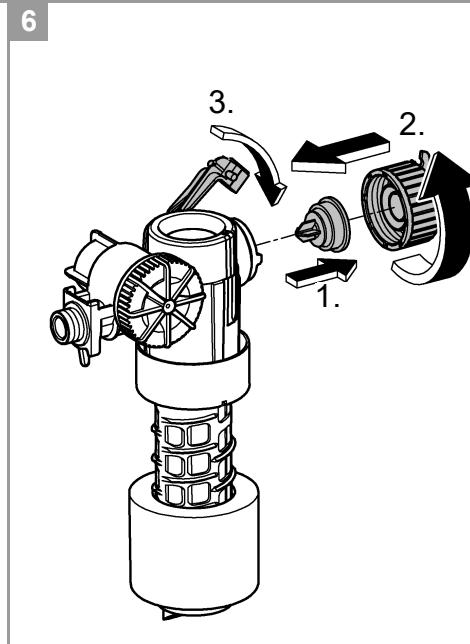
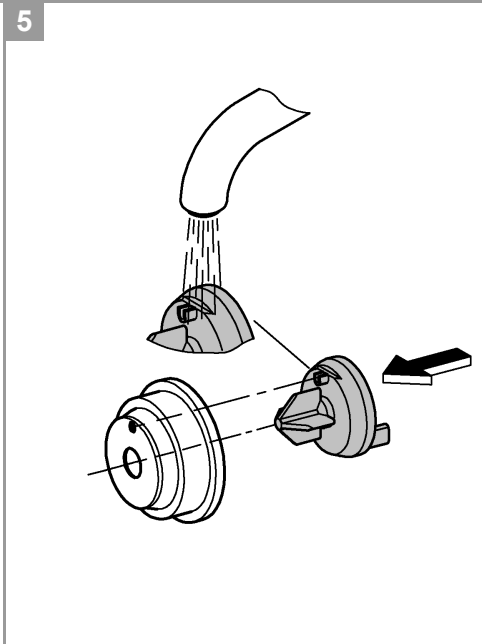
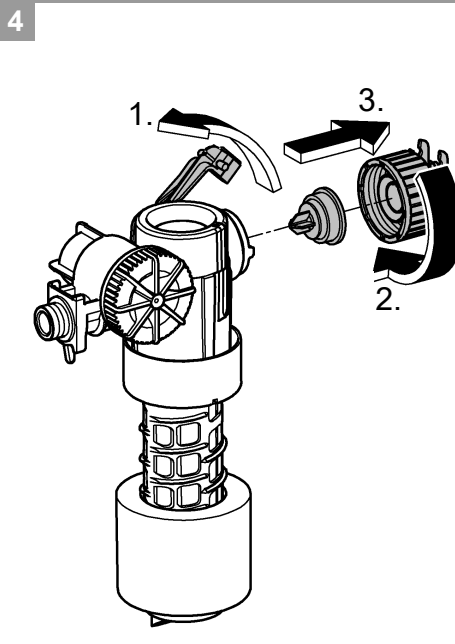
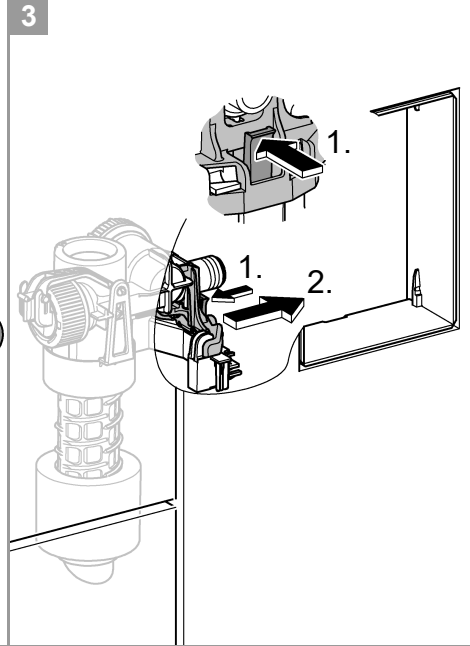
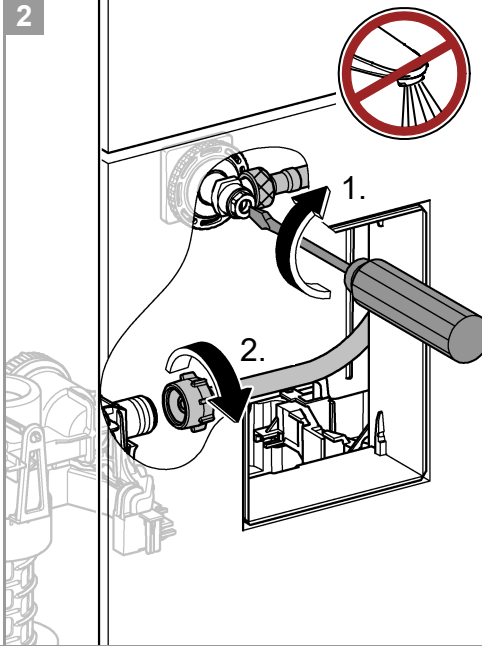
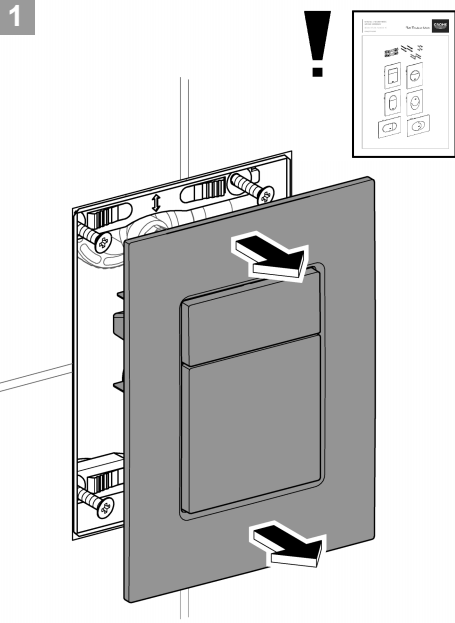


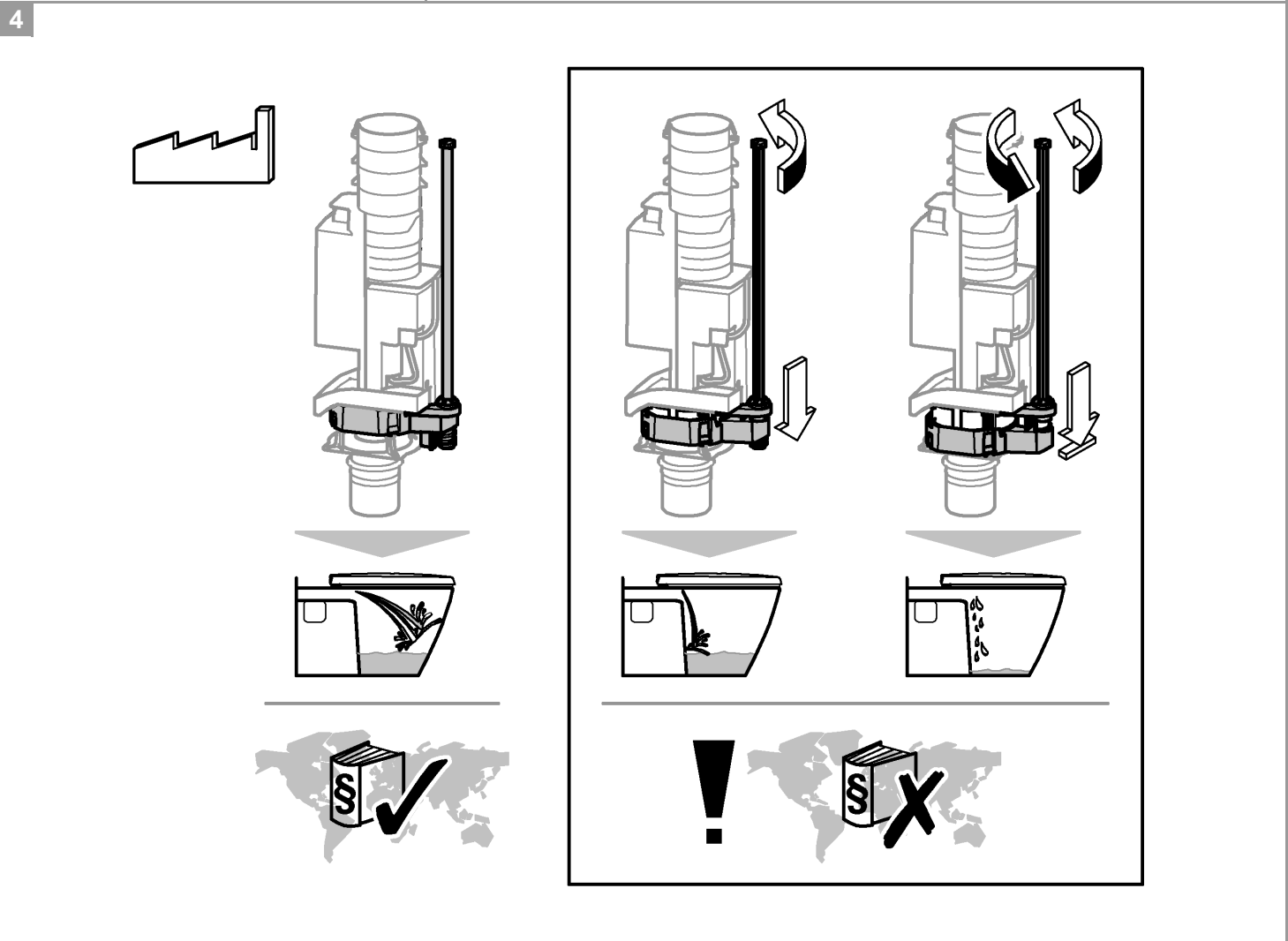
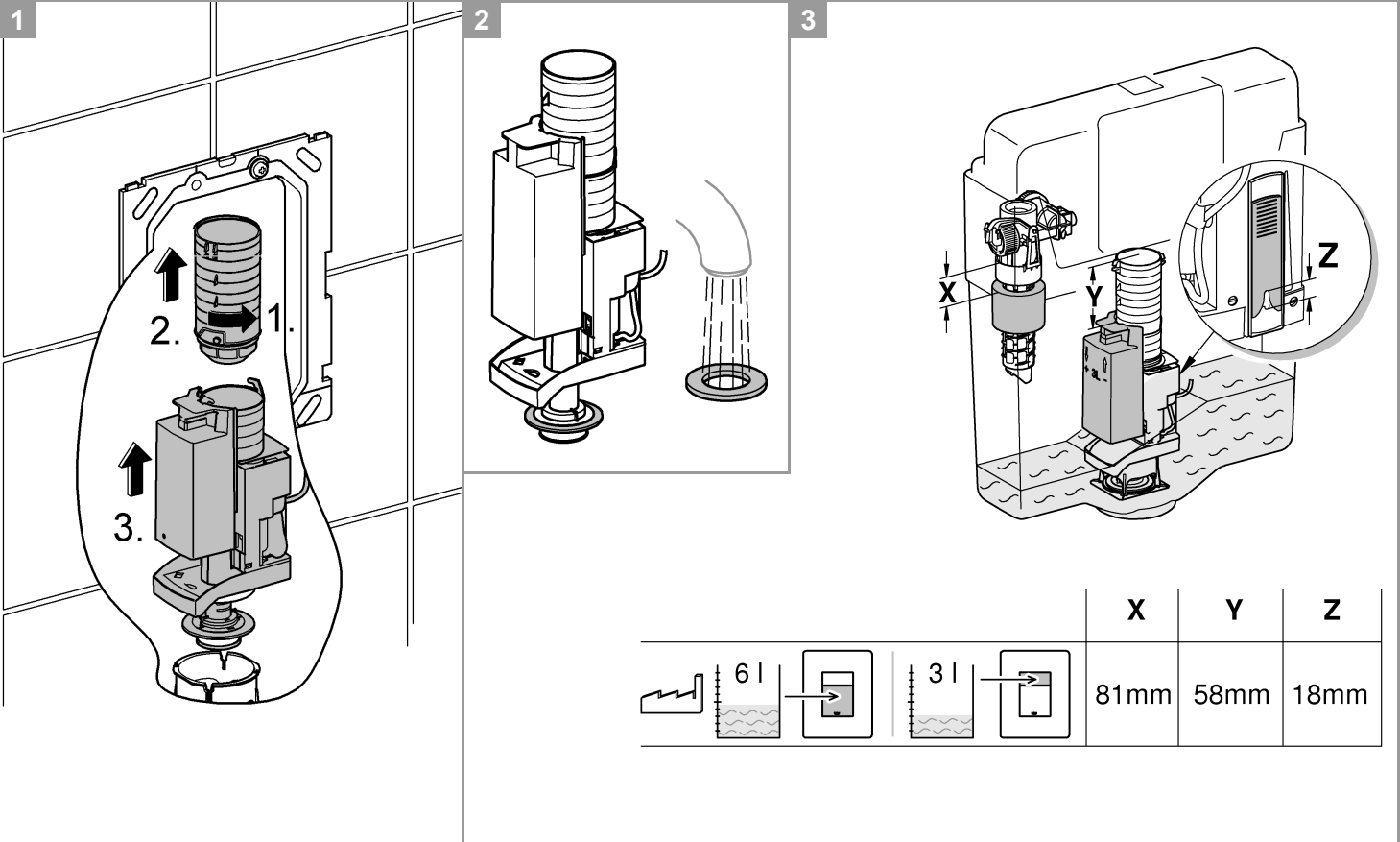
4





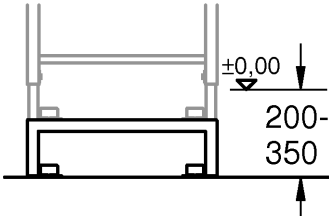
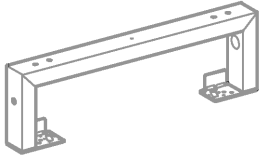




 SERVICE
 
4



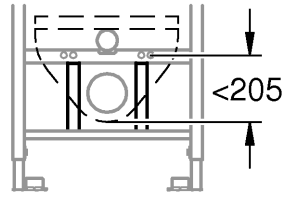




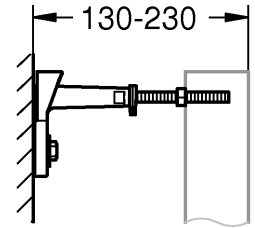
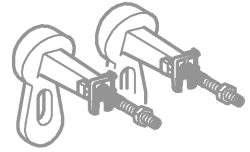
38 629



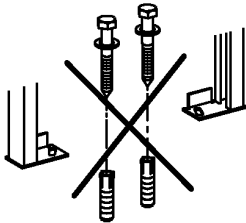
39 607



38 558



38 733



37 131

