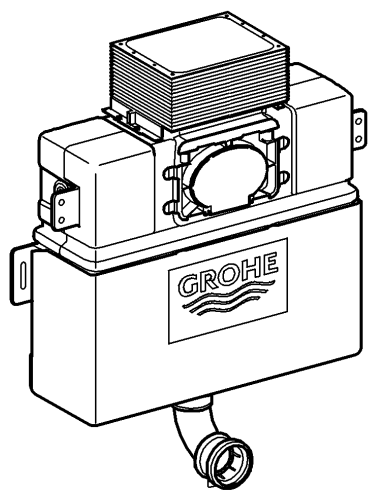
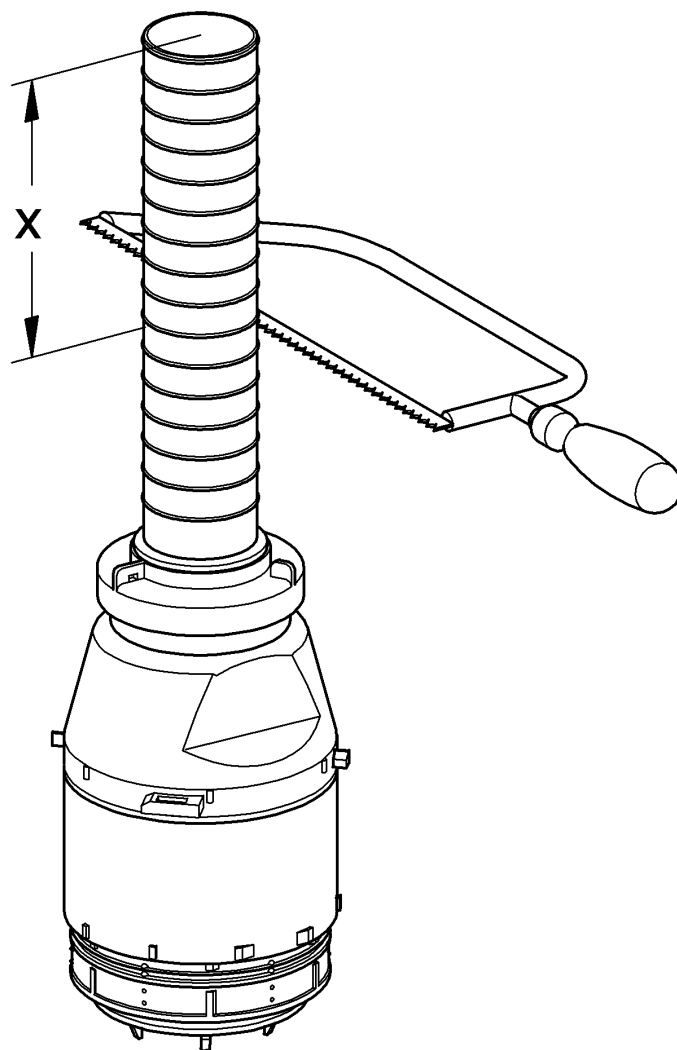
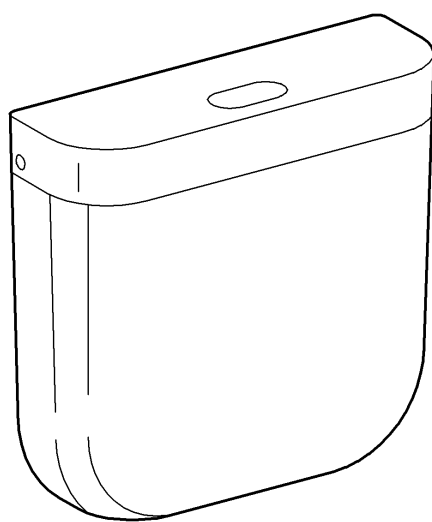


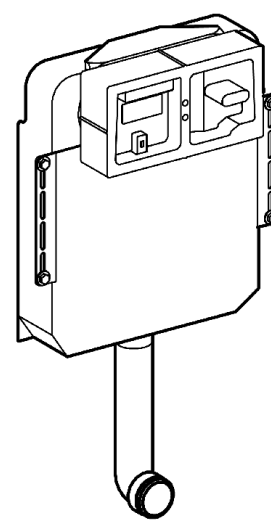
43 486



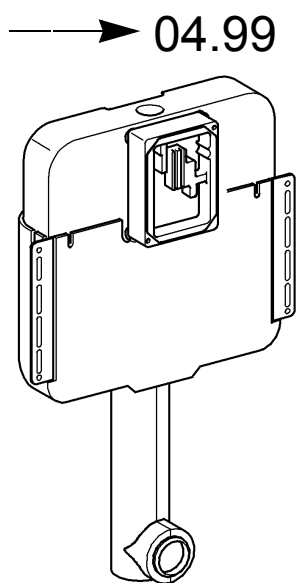
x = 90 mm



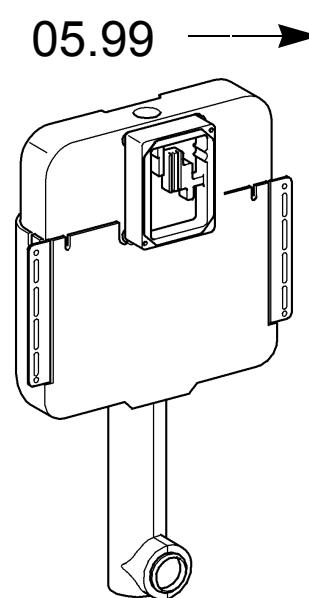
x = 42 mm



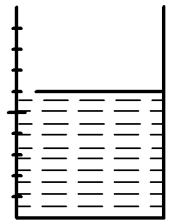
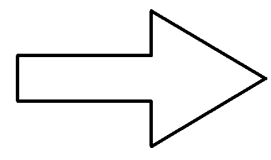
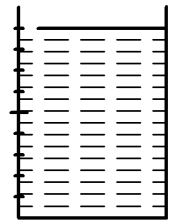
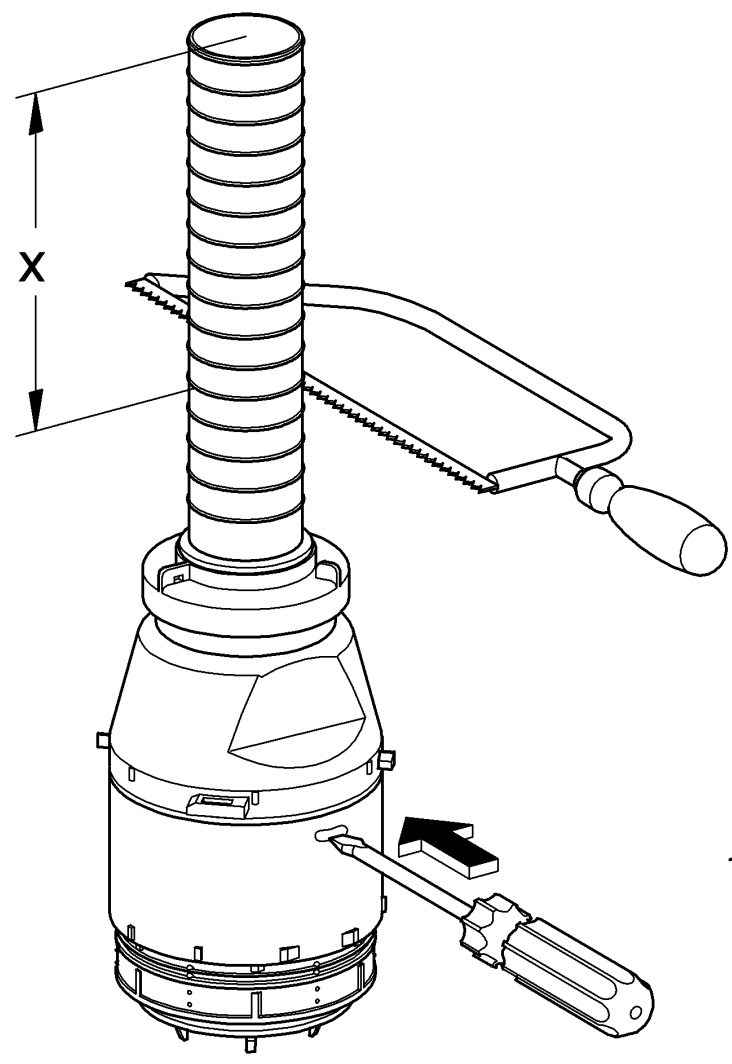
x = 0 mm



x = 103 mm

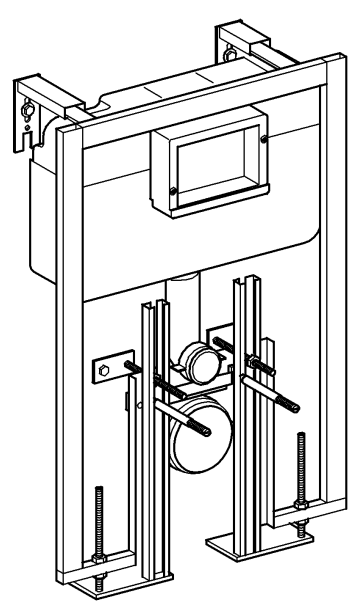


x = 83 mm



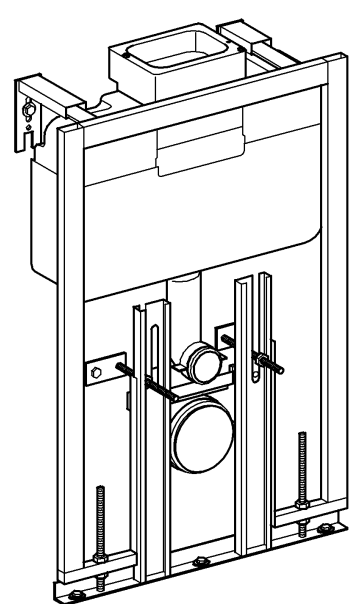
9l

6l

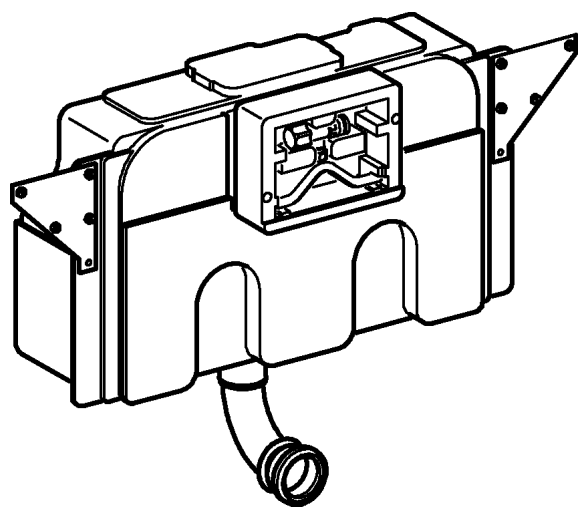


x = 157 mm

02.97 →

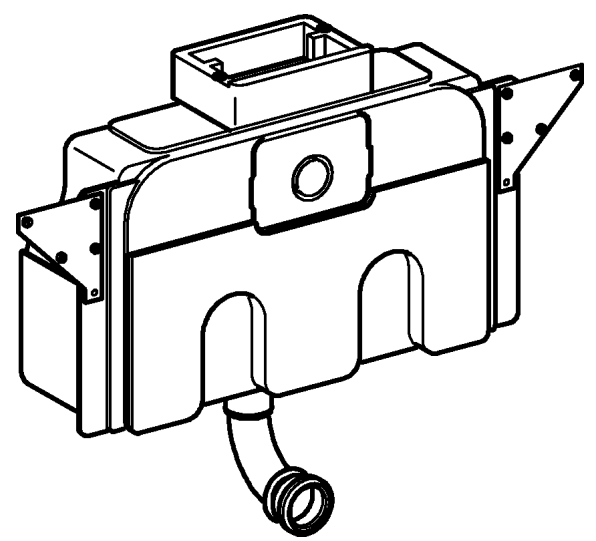


x = 115 mm



x = 153 mm

03.97 →



x = 111 mm