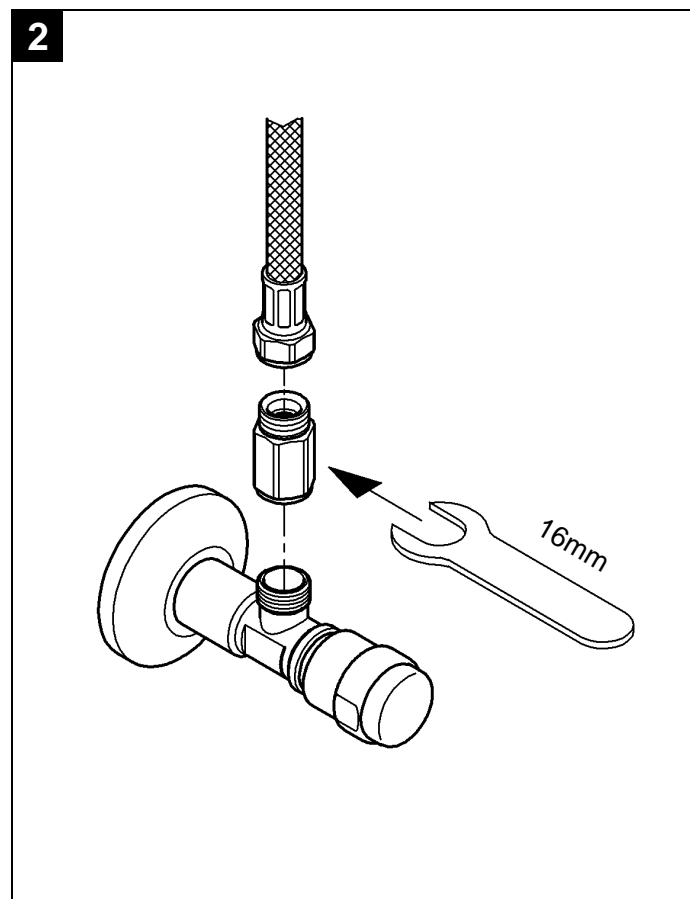
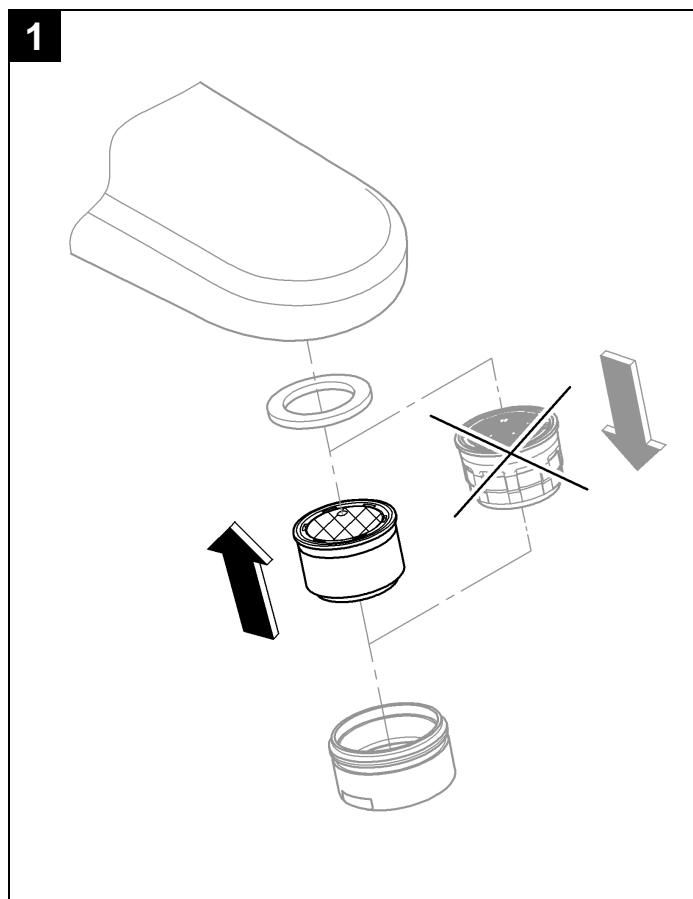
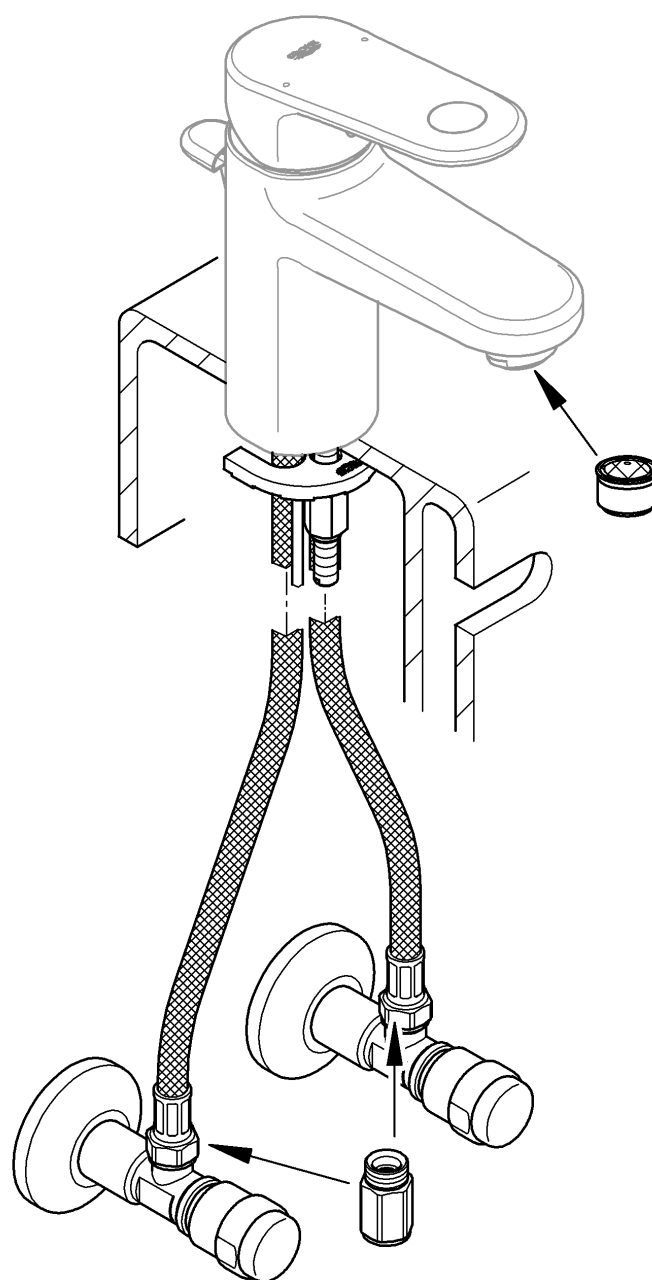
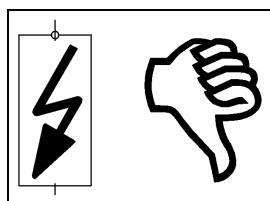
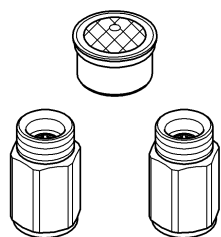




- 48 186** (1.0gpm)
(4l/min)
- 48 187** (0.5gpm)
(2l/min)
- 48 188** (0,35gpm)
(1,4l/min)





ENJOY WATER®

- 48 189** (1.0gpm)
(4l/min)
- 48 190** (0.5gpm)
(2l/min)
- 48 191** (0,35gpm)
(1,4l/min)

