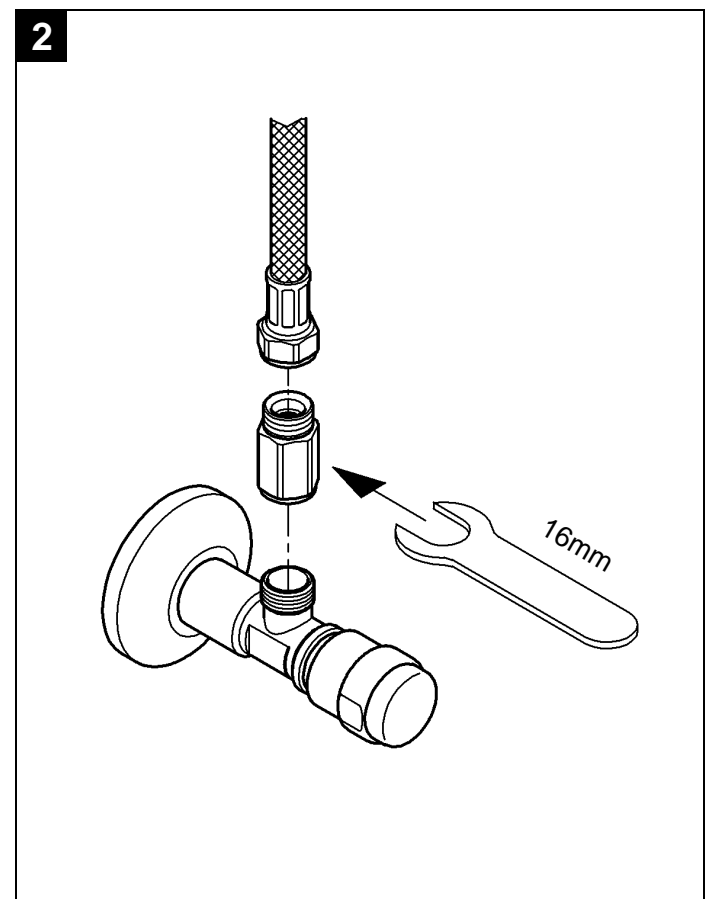
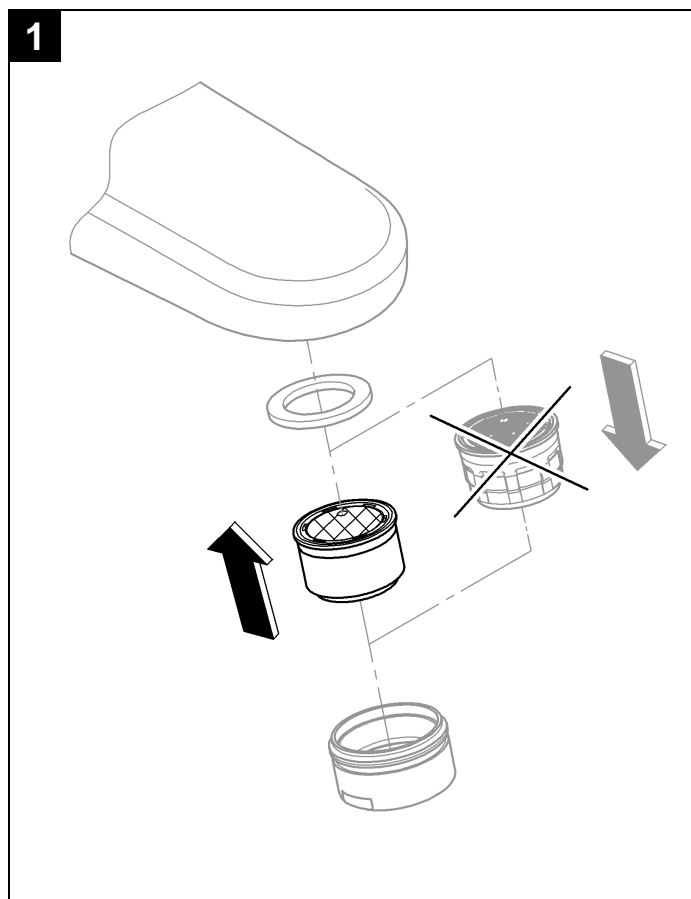
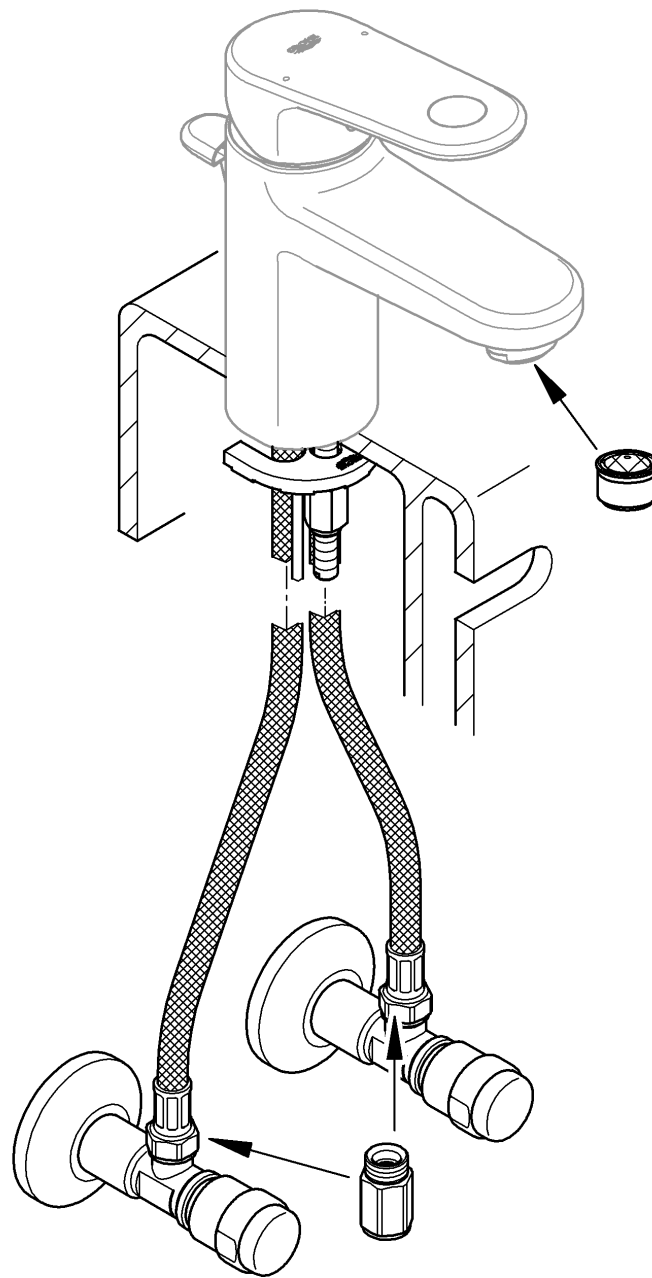
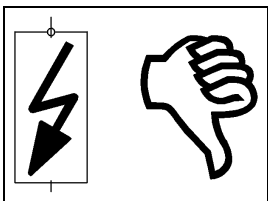
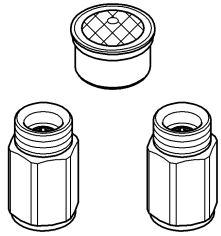


- | | |
|---------------|-------------------------|
| 48 186 | (1.0gpm)
(4l/min) |
| 48 187 | (0.5gpm)
(2l/min) |
| 48 188 | (0,35gpm)
(1,4l/min) |





ENJOY WATER®

48 189 (1.0gpm)
(4l/min)

48 190 (0.5gpm)
(2l/min)

48 191 (0,35gpm)
(1,4l/min)

