

KPC

300A/600A

be
think
innovate



i

Max. 40 °C / Min. 0 °C



Off

On

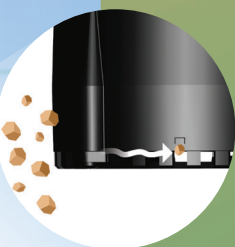
Max. 3 m

Max. 7 m

Min. 5 cm

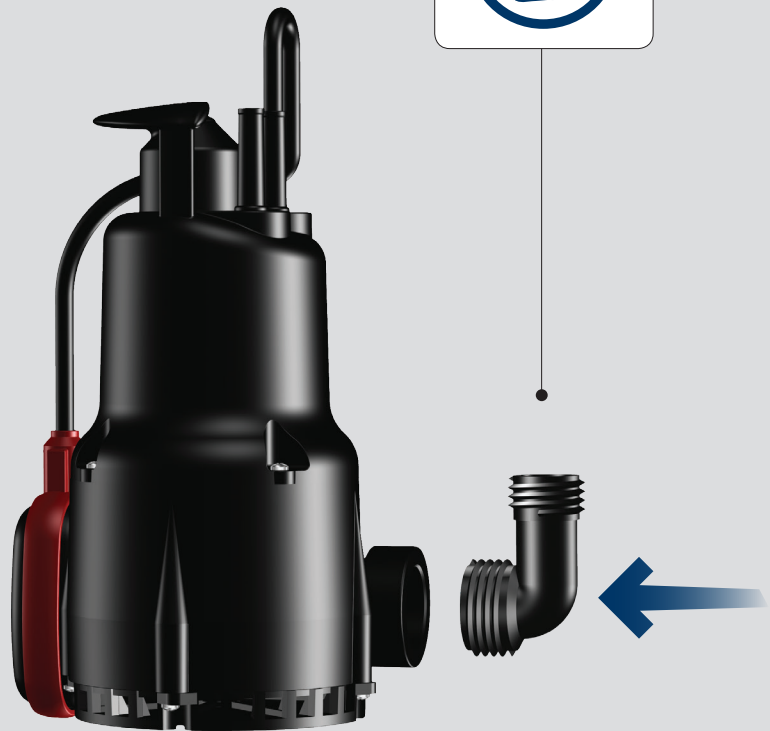


PH 4-6



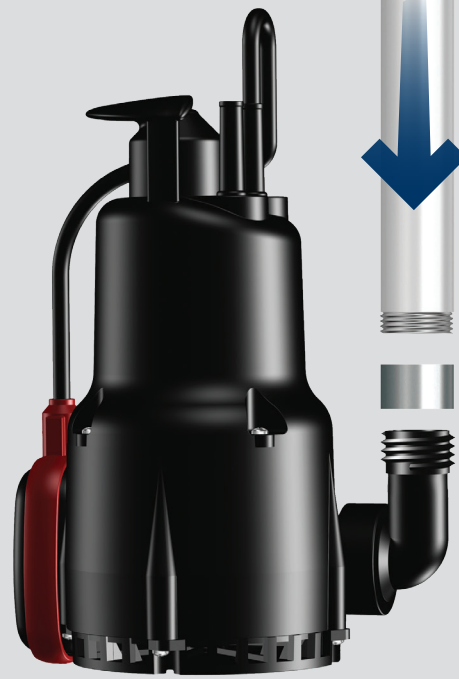
< KPC 300A: 10 mm
< KPC 600A: 10 mm

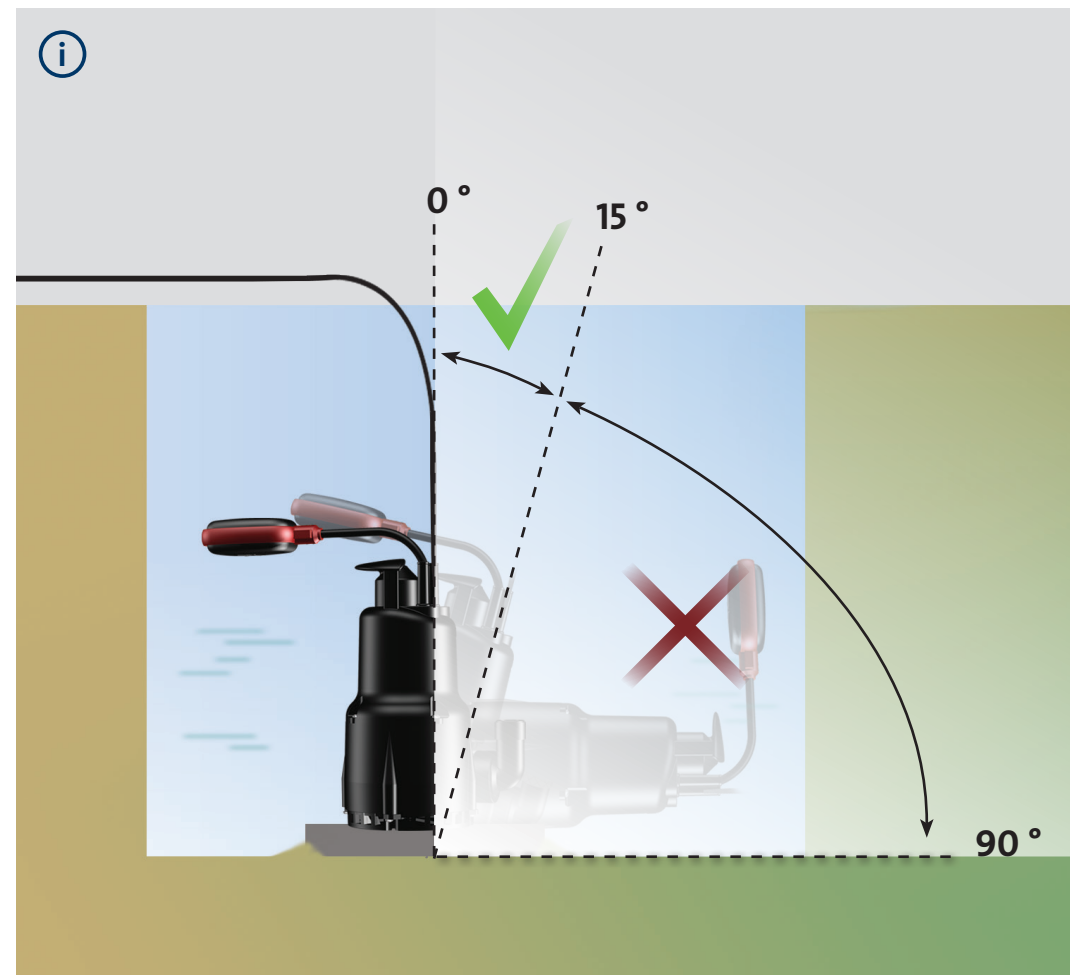
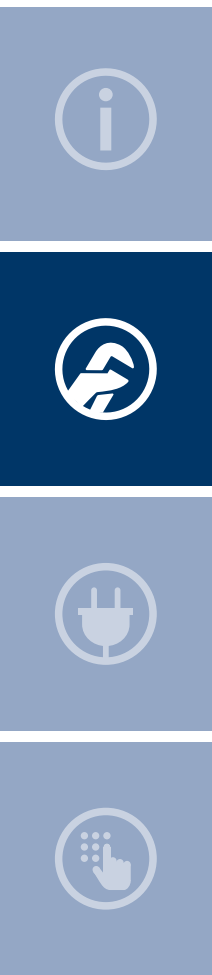
1

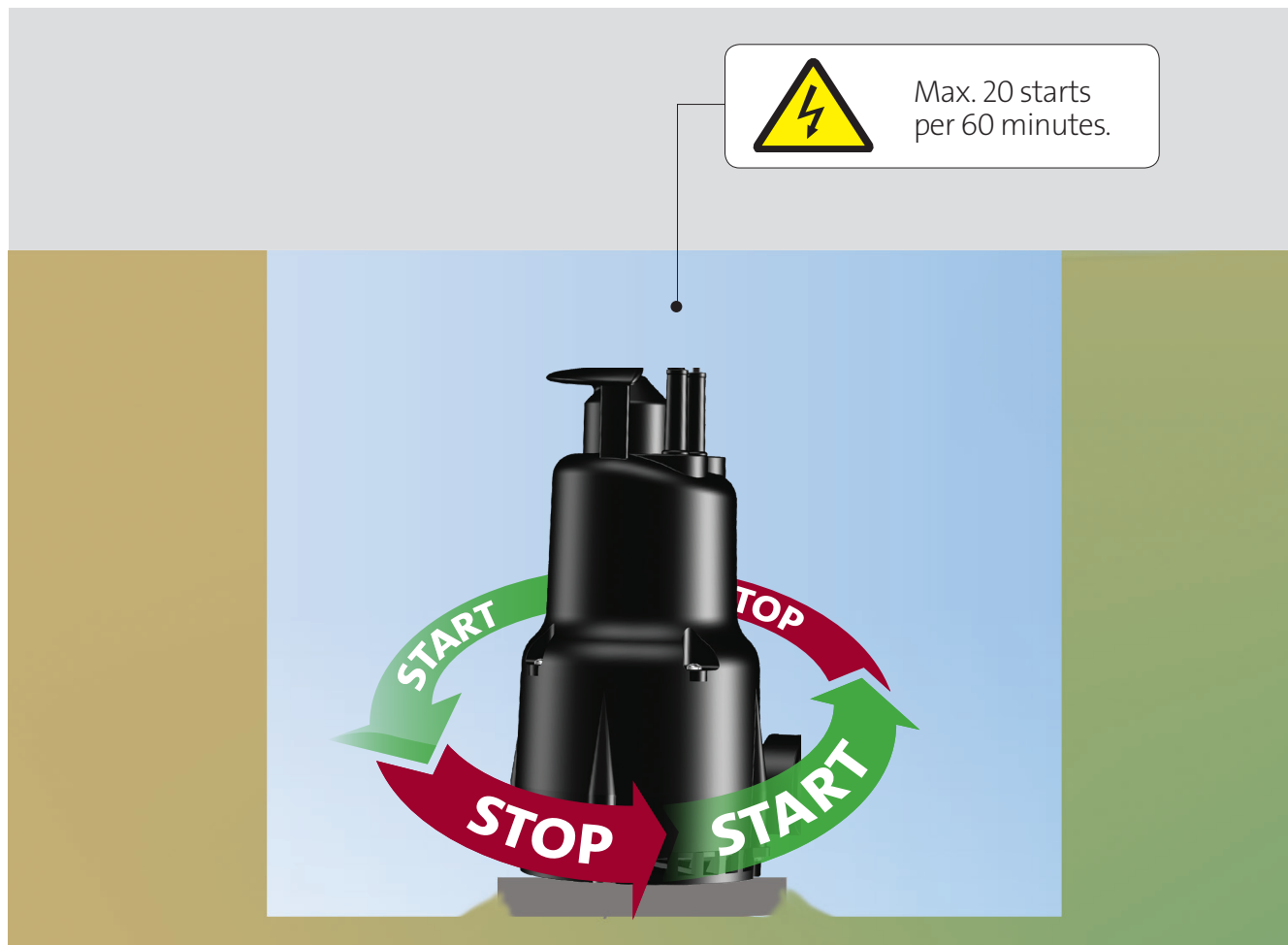
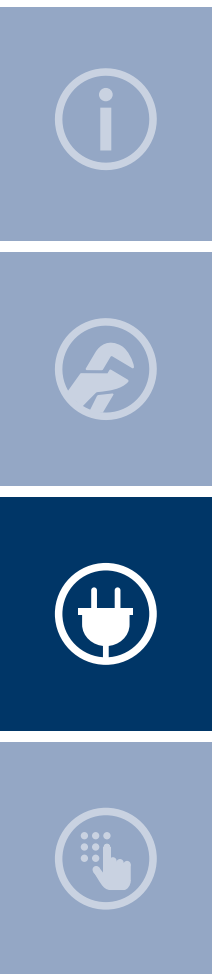


2

KPC 300A: 1"
KPC 600A: 1 1/4"







be think innovate

avrrora-arm.ru
+7 (495) 956-62-18

GRUNDFOS 

The name Grundfos, the Grundfos logo, and be think innovate are registered trademarks owned by Grundfos Holding A/S or Grundfos A/S, Denmark. All rights reserved worldwide.