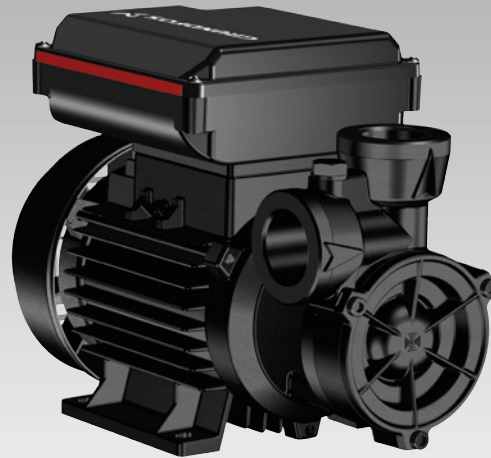


NS/PF



be
think
innovate

GRUNDFOS 

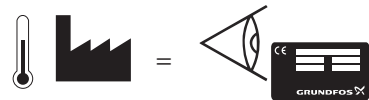


Max. bar =

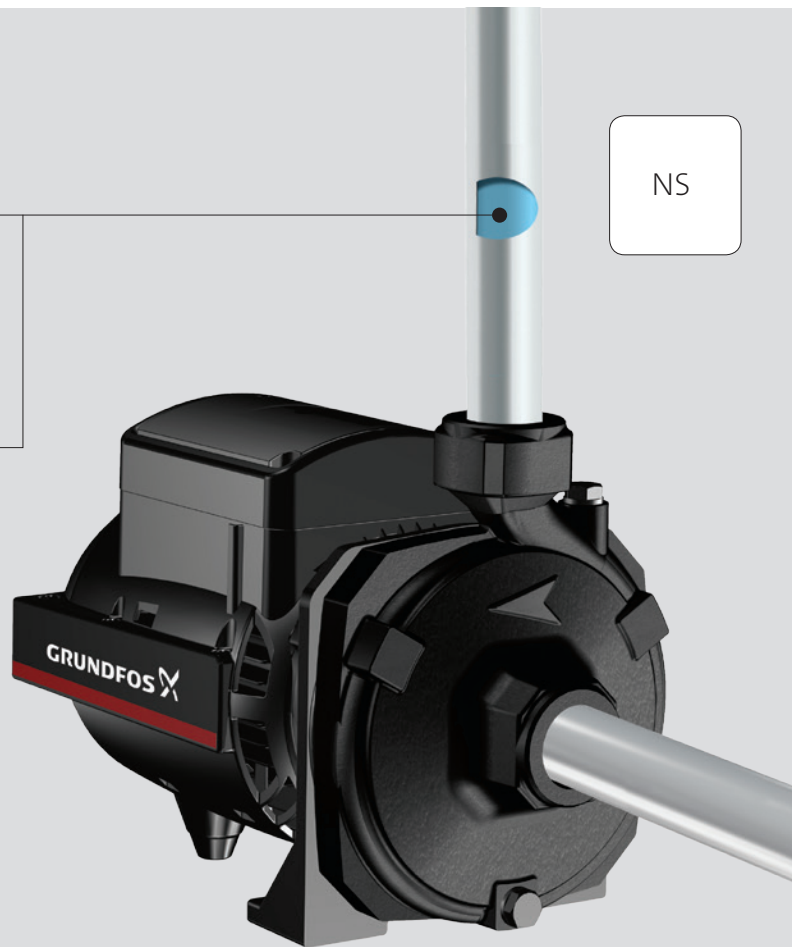


NS

= Min./Max.
0 °C / +35 °C



= Min./Max. 0 °C / +40 °C



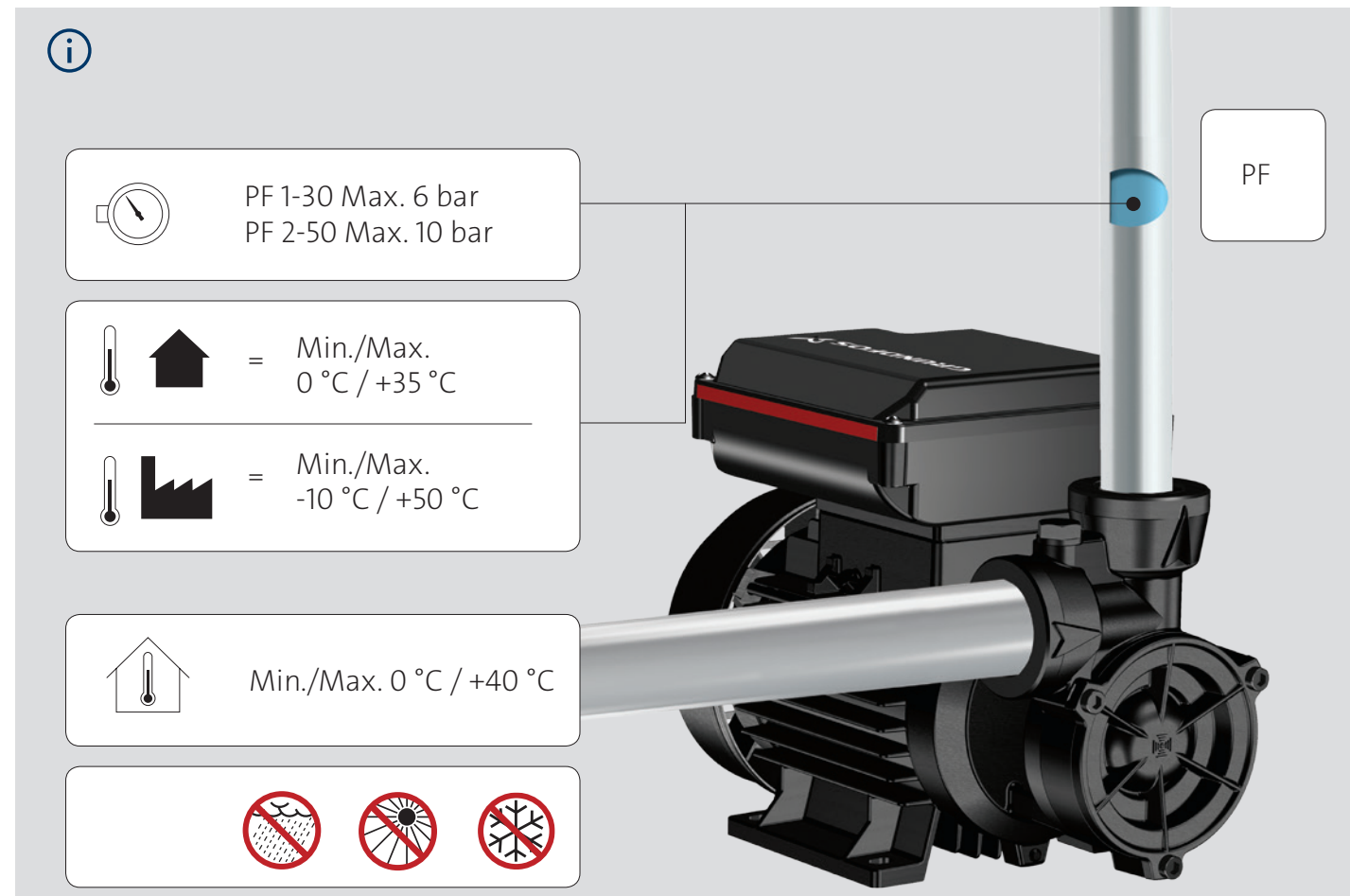
PF 1-30 Max. 6 bar
PF 2-50 Max. 10 bar

PF

= Min./Max.
0 °C / +35 °C

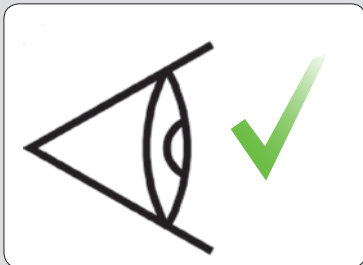
= Min./Max.
-10 °C / +50 °C

= Min./Max. 0 °C / +40 °C

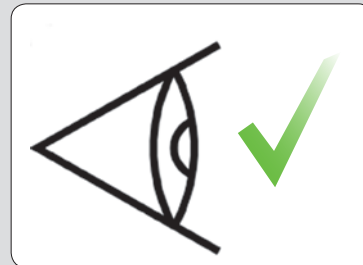


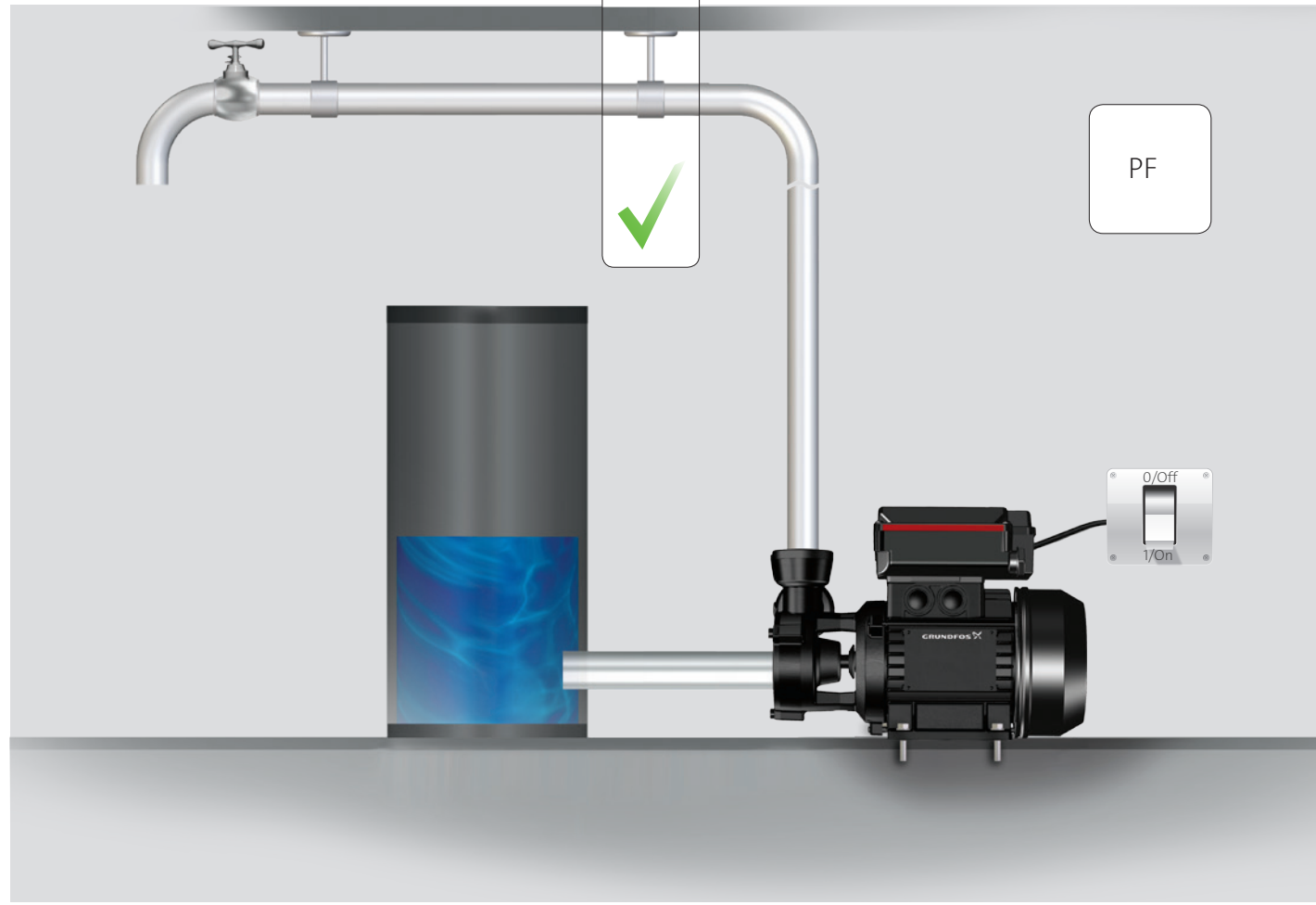
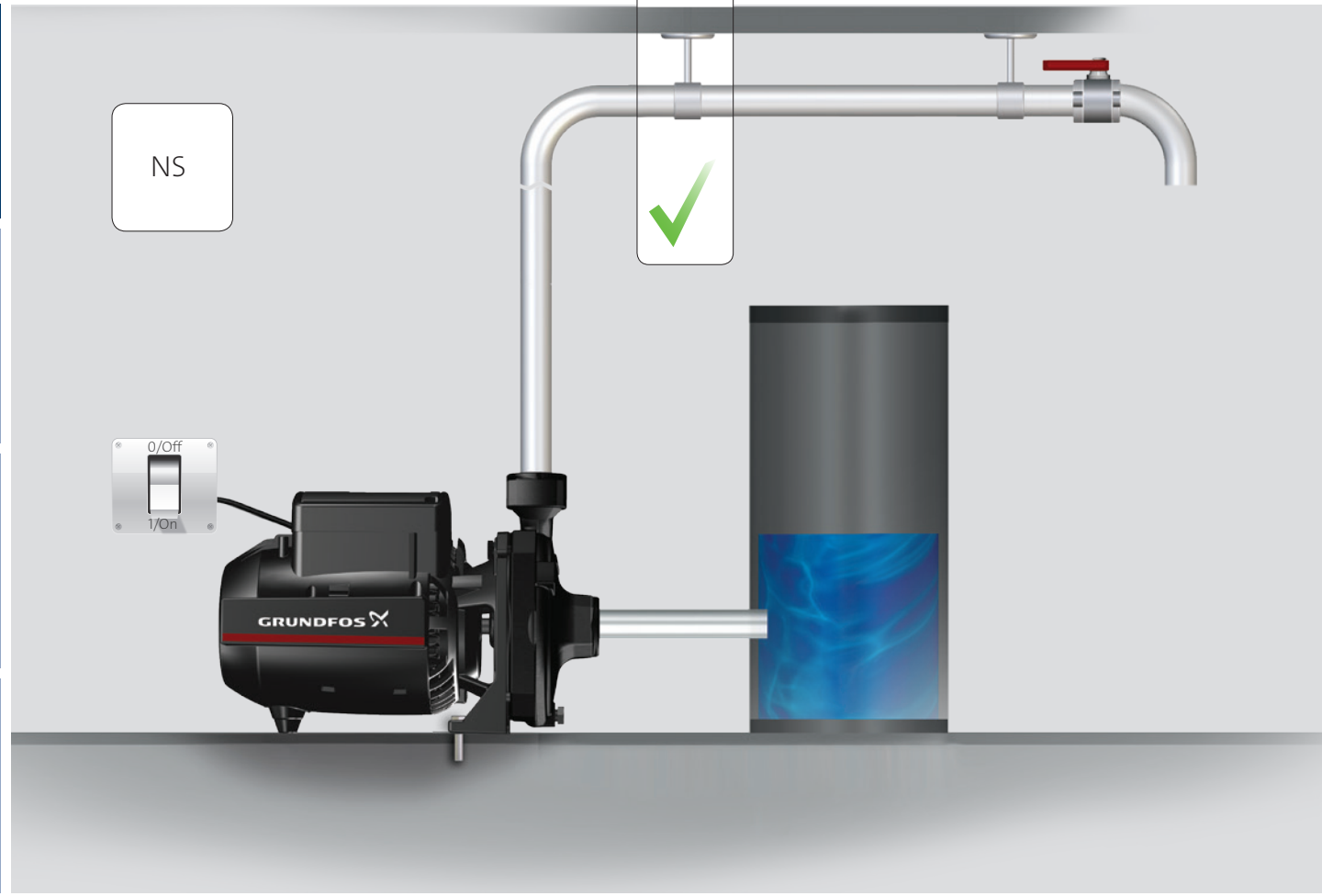


1A



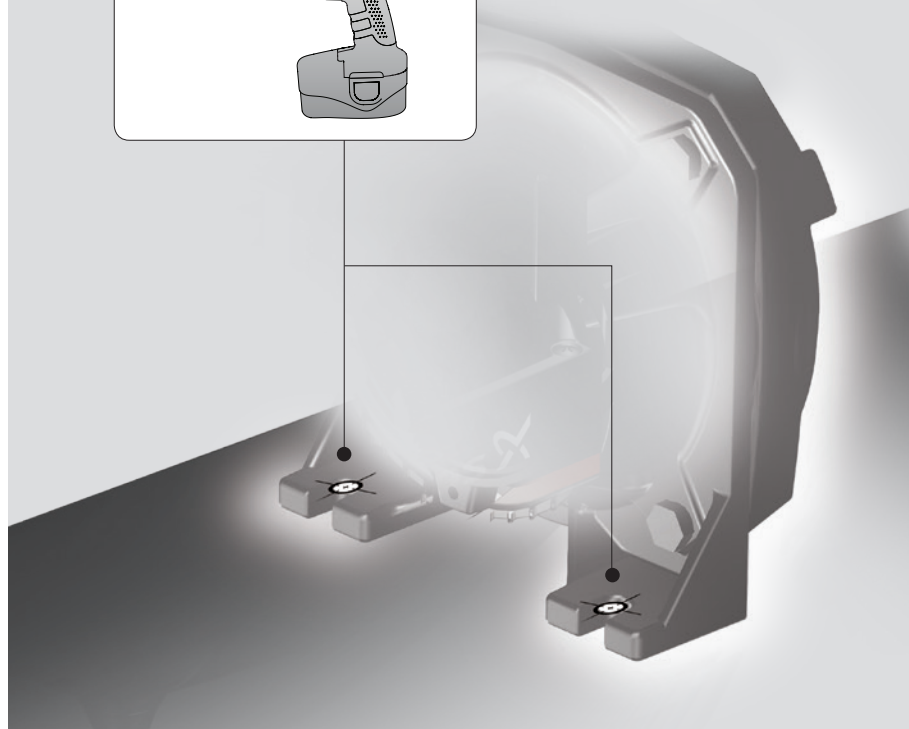
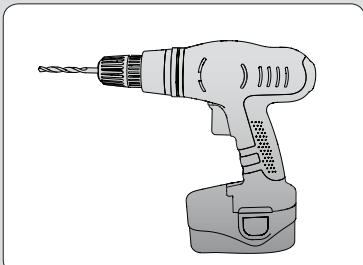
1B



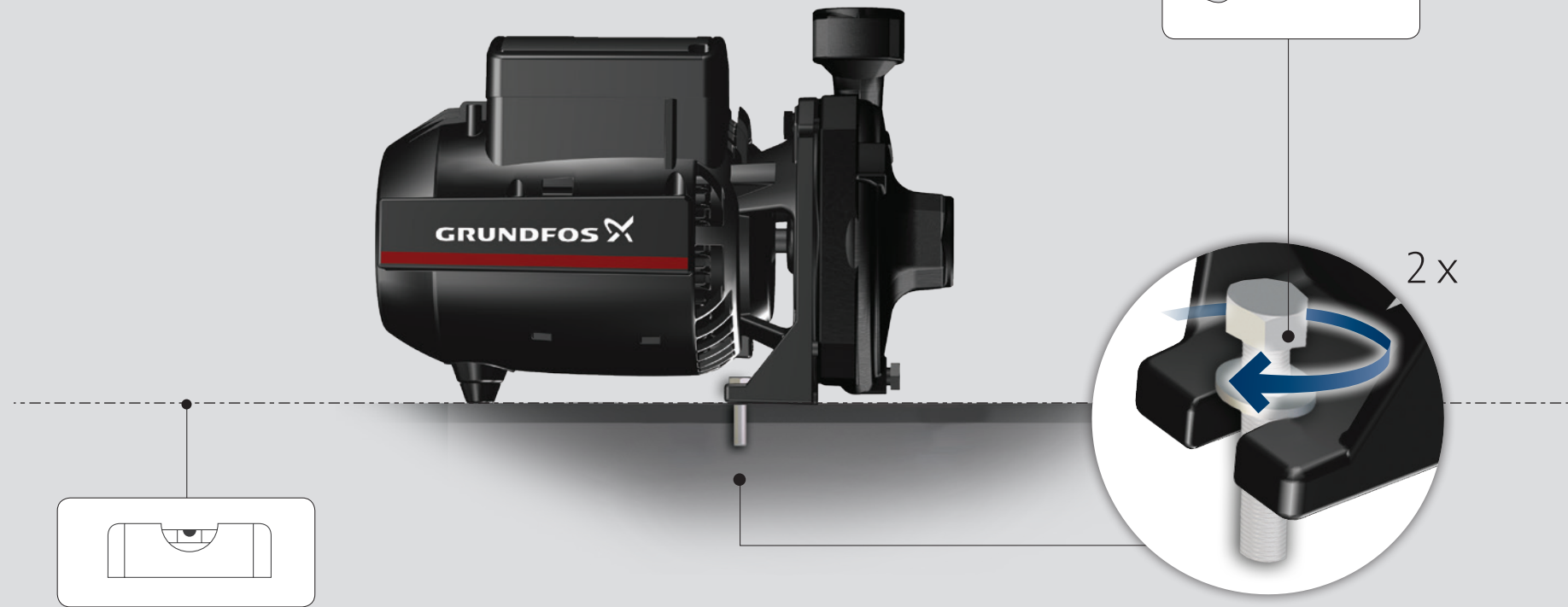
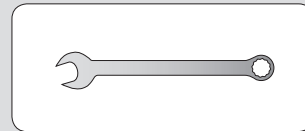




2A

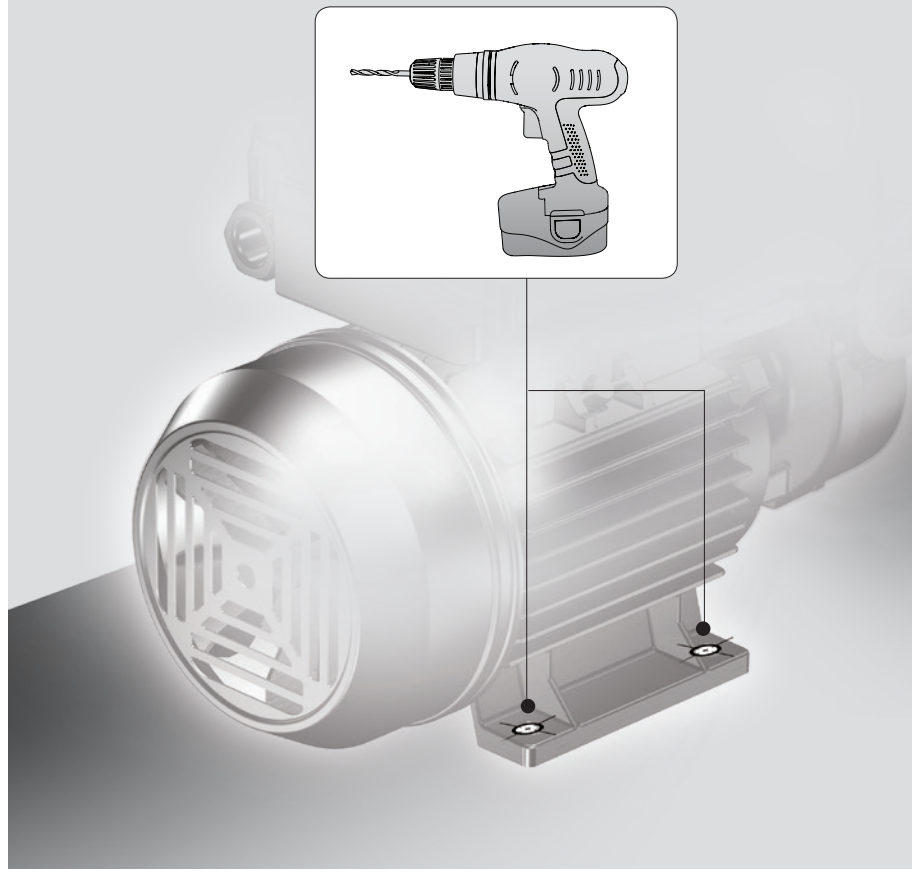


3A

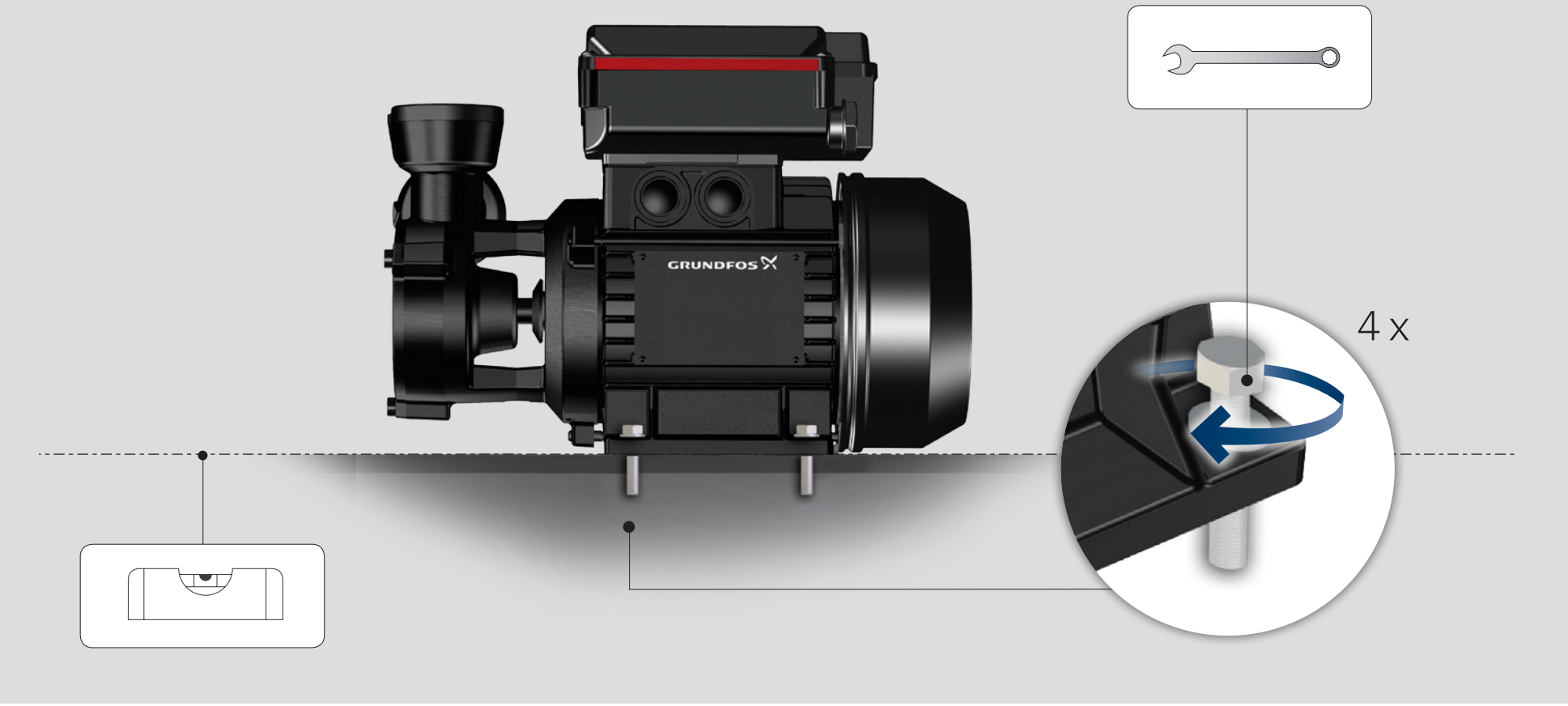


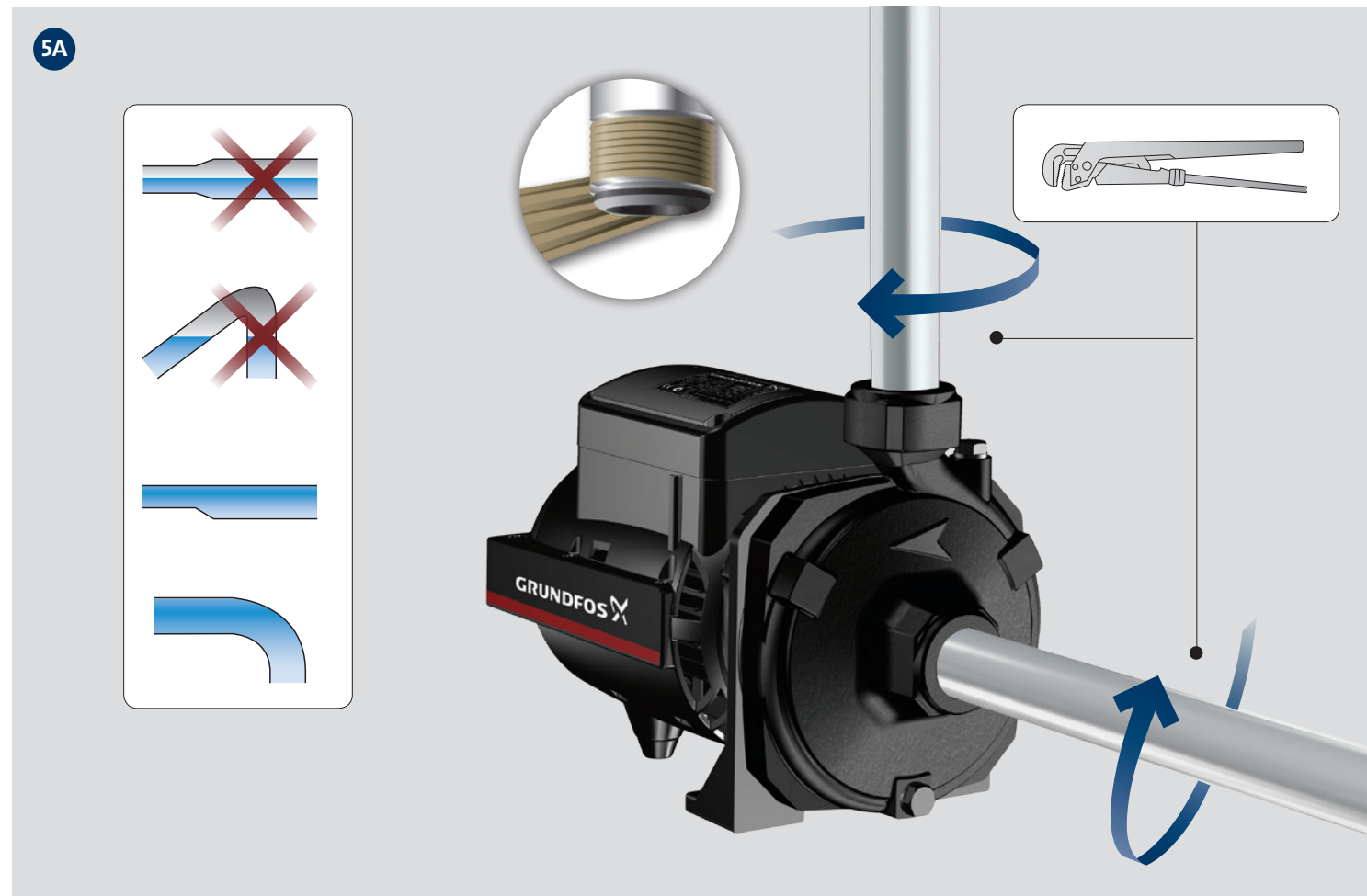
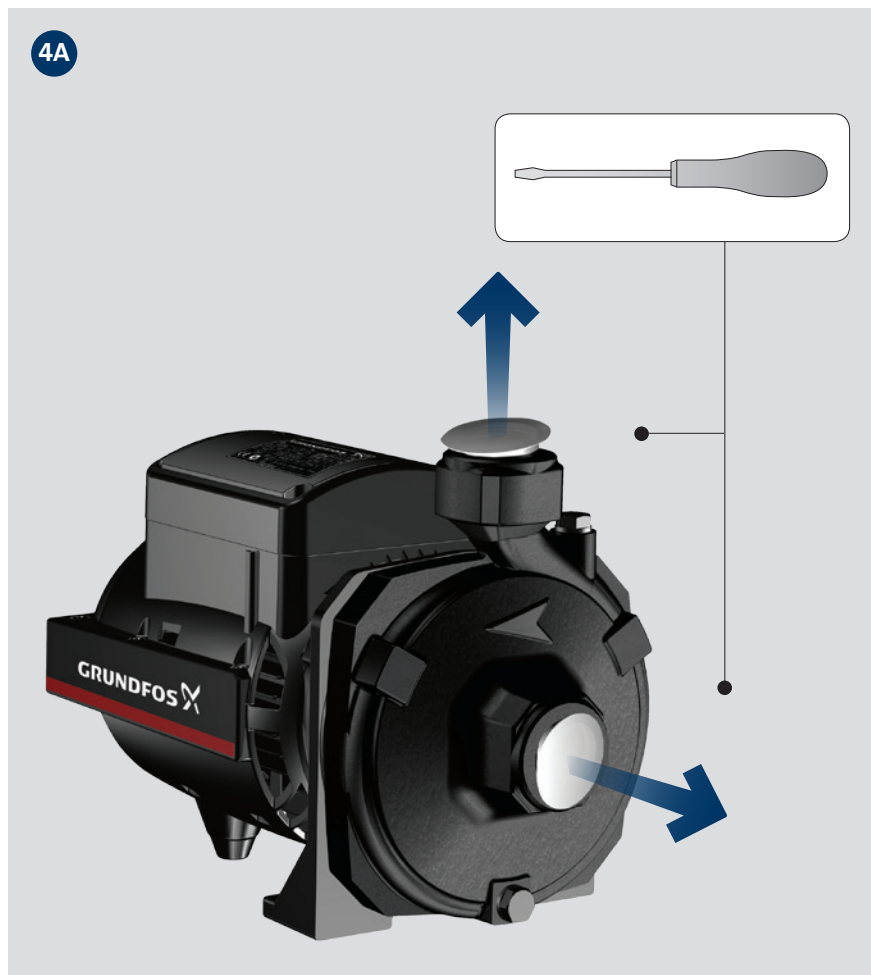
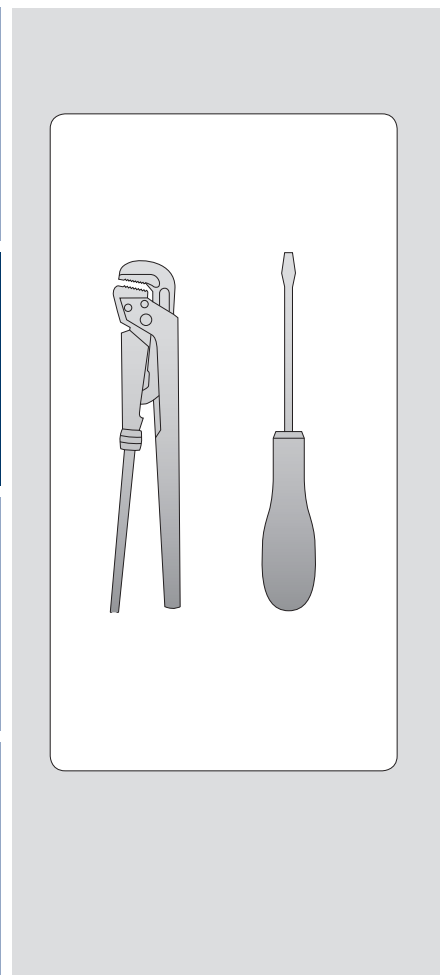
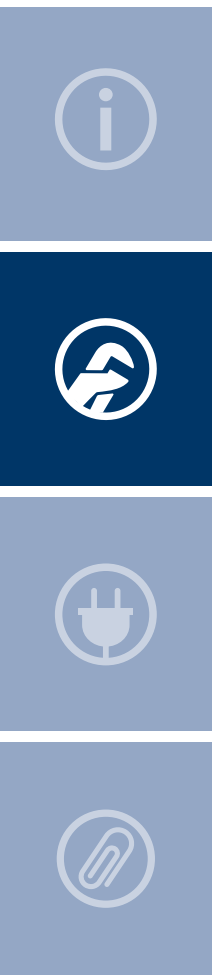


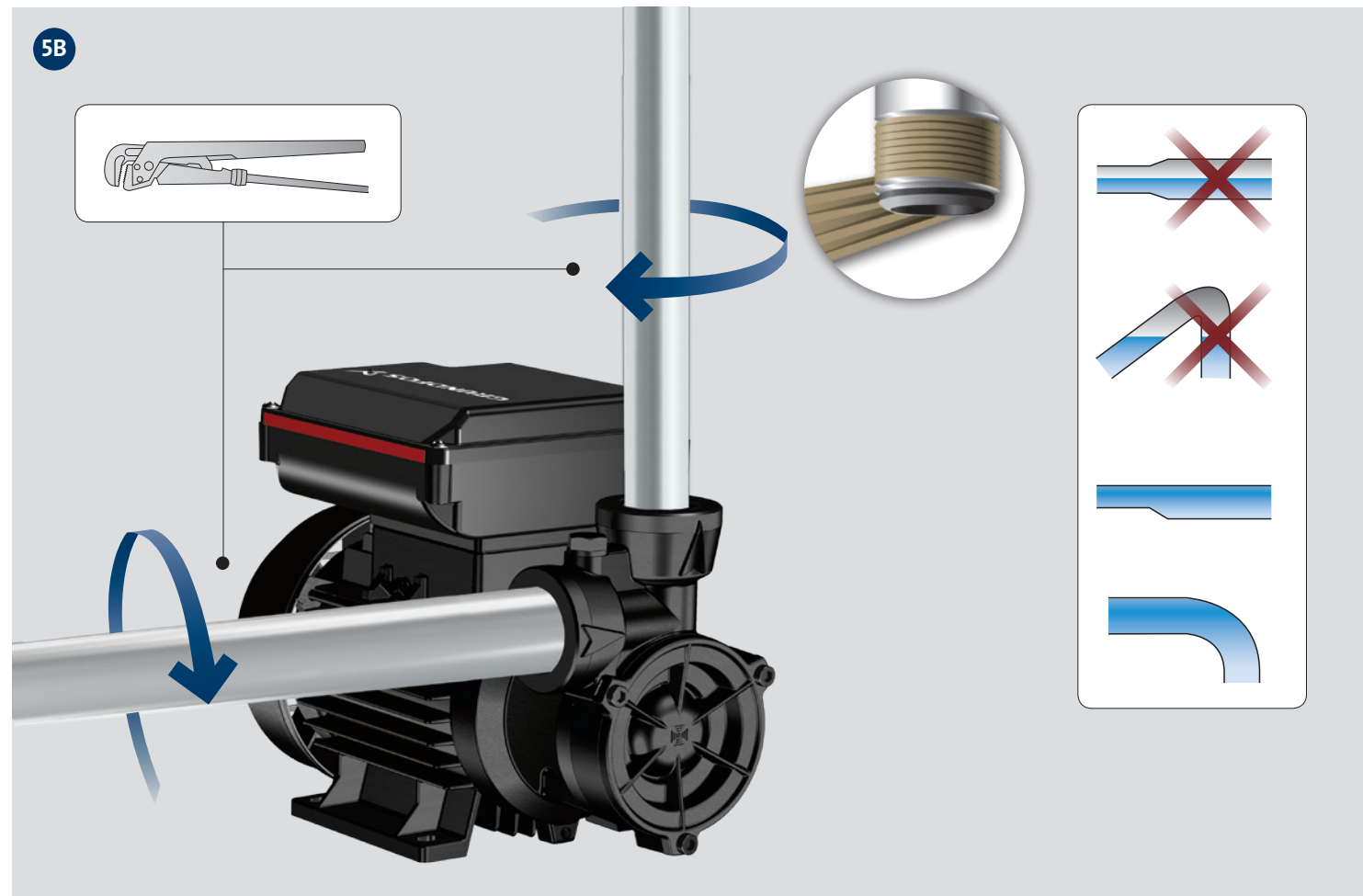
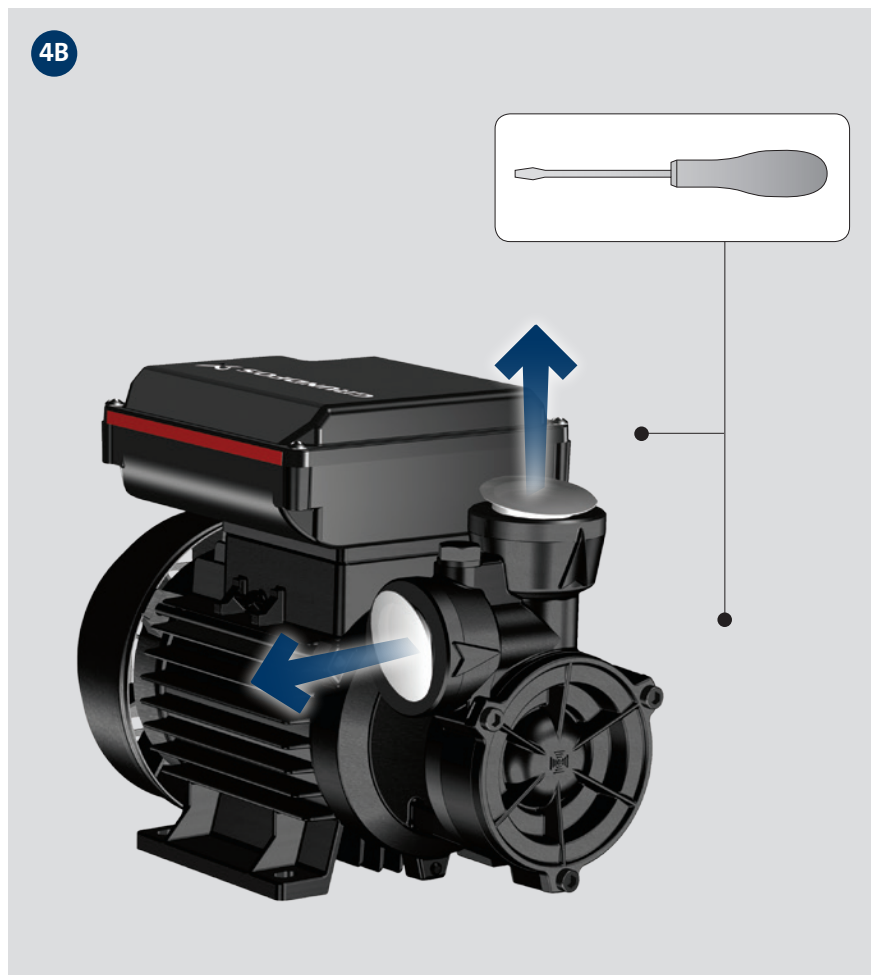
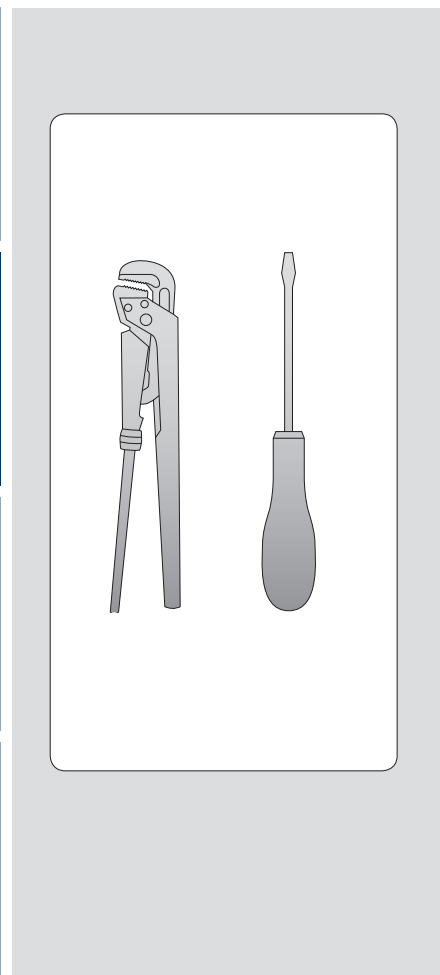
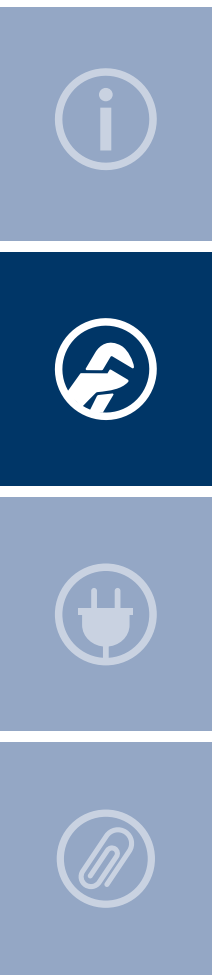
2B

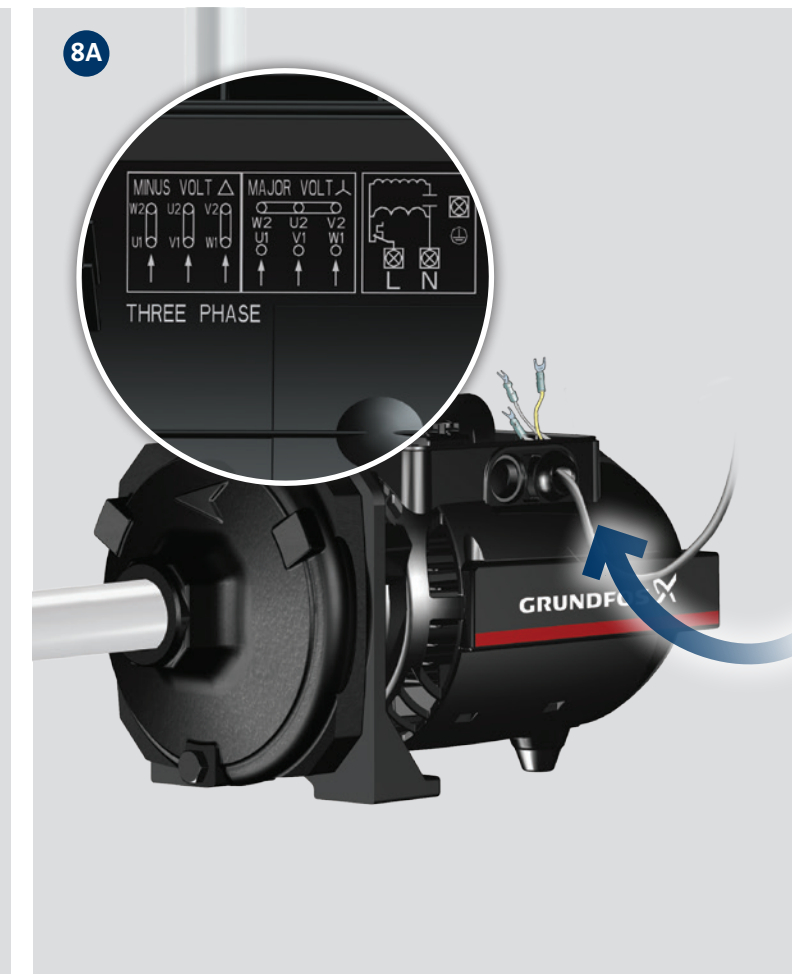
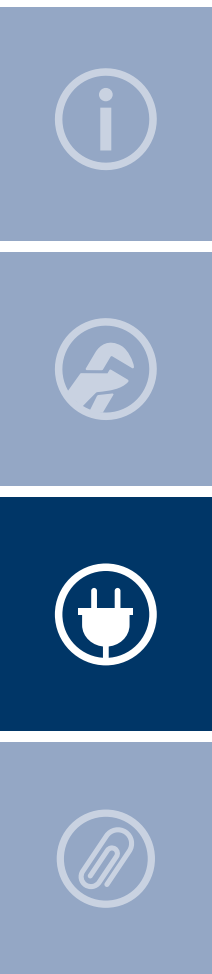


3B



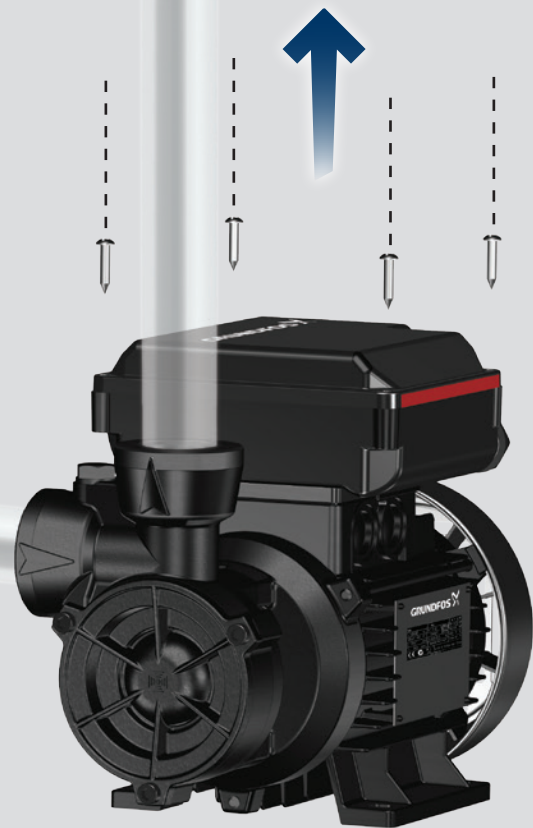








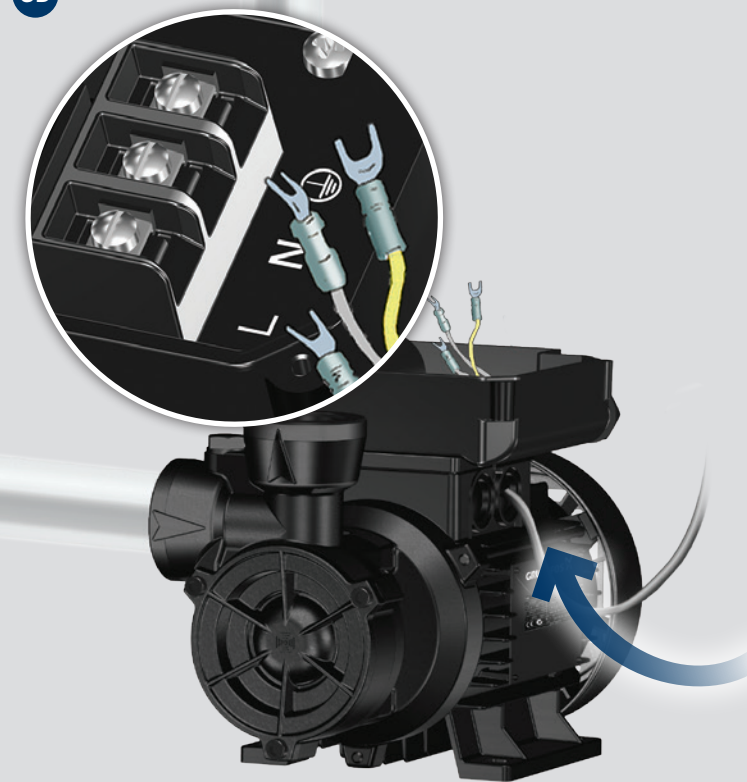
6B



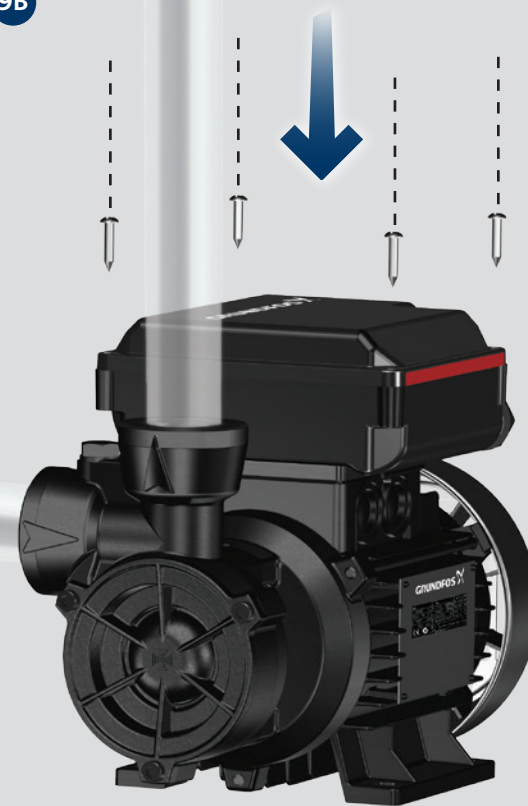
7B

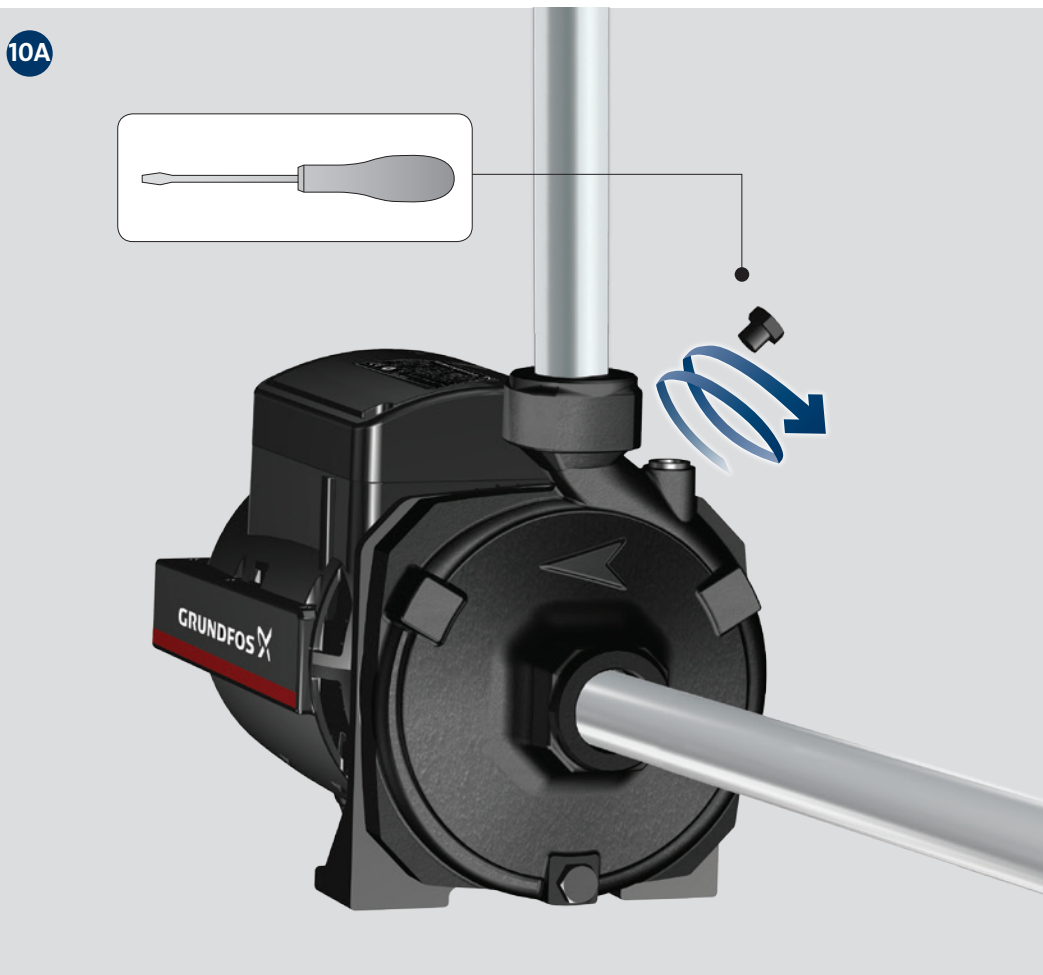


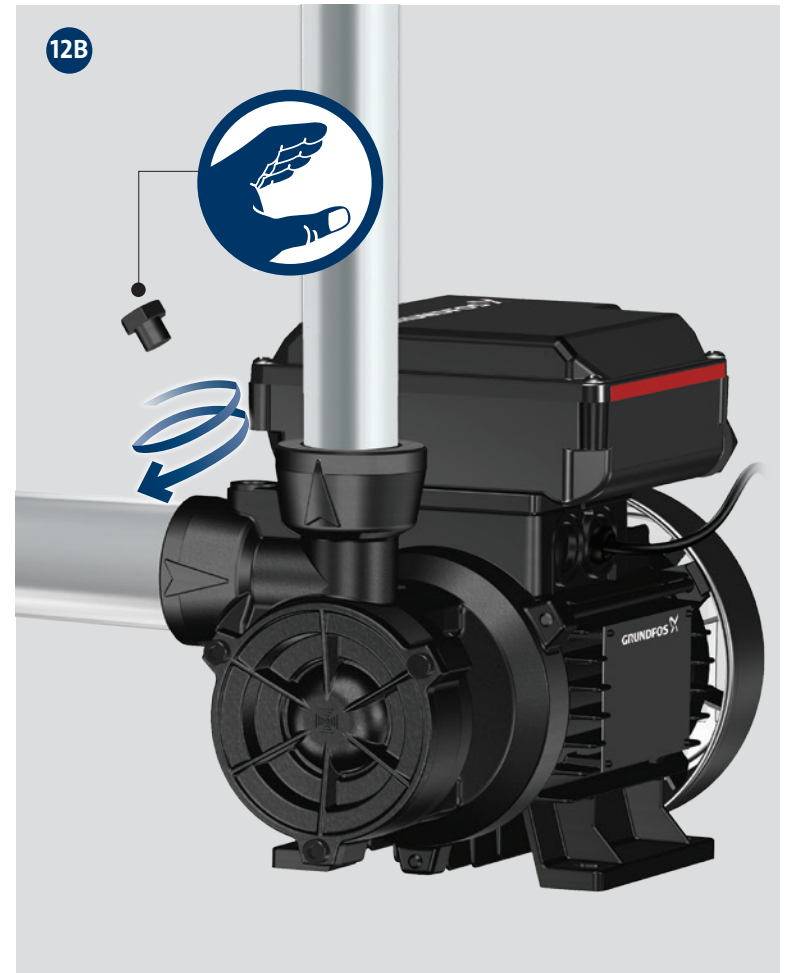
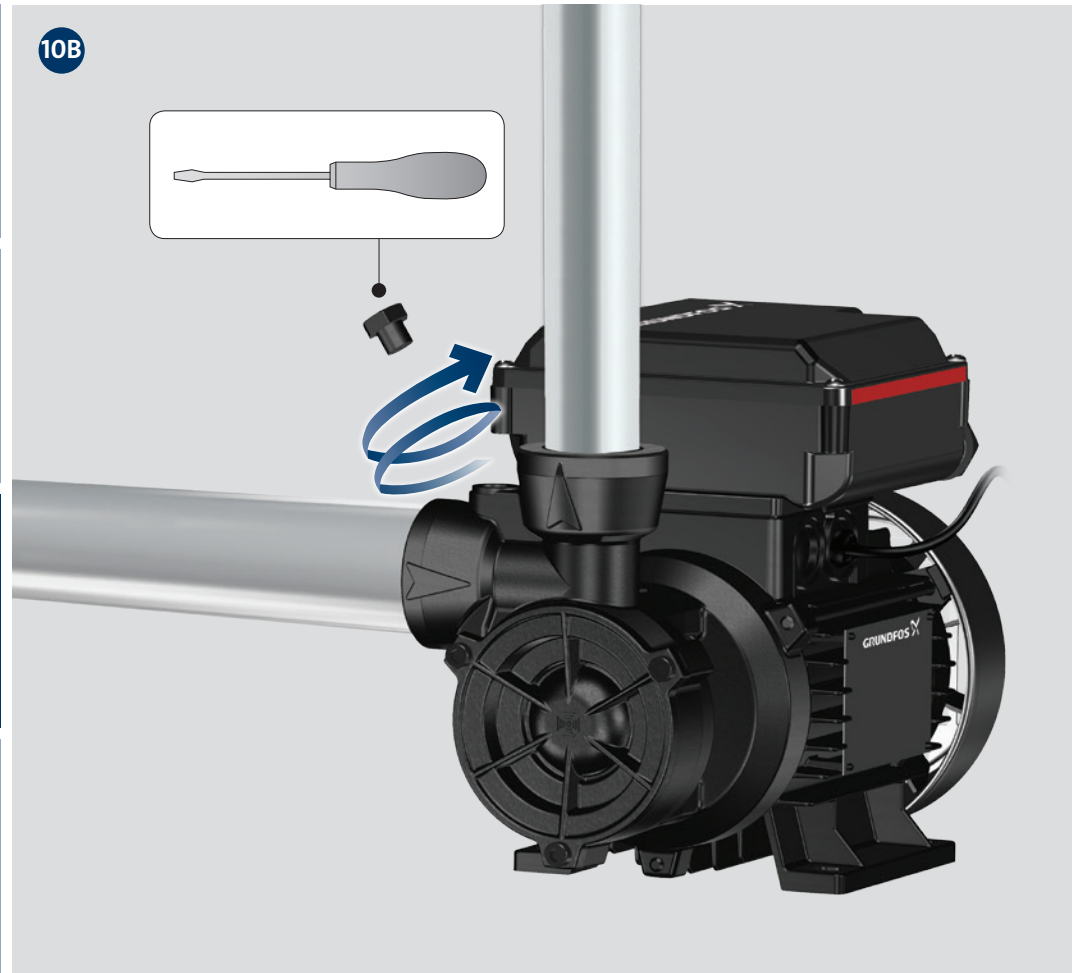
8B



9B

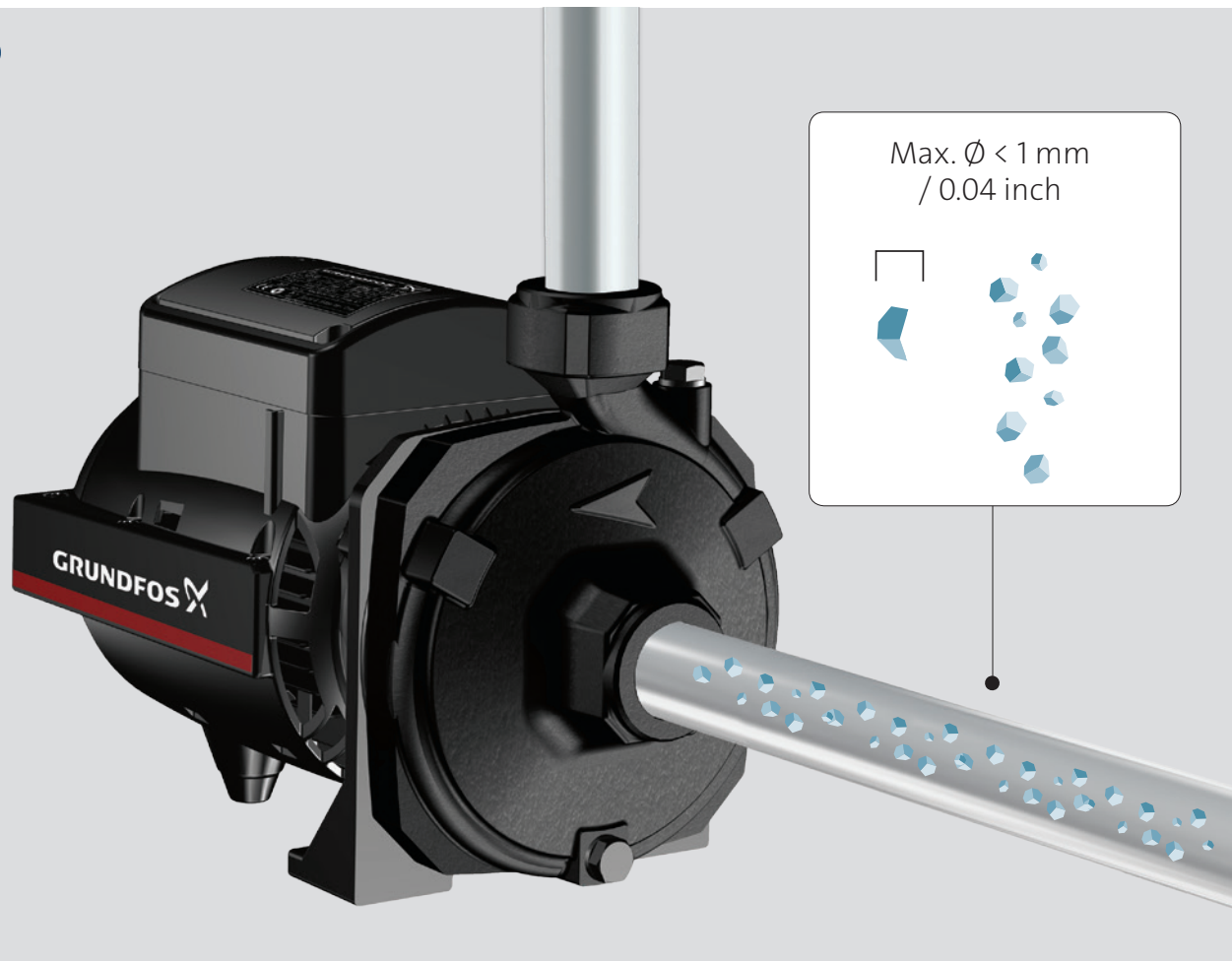




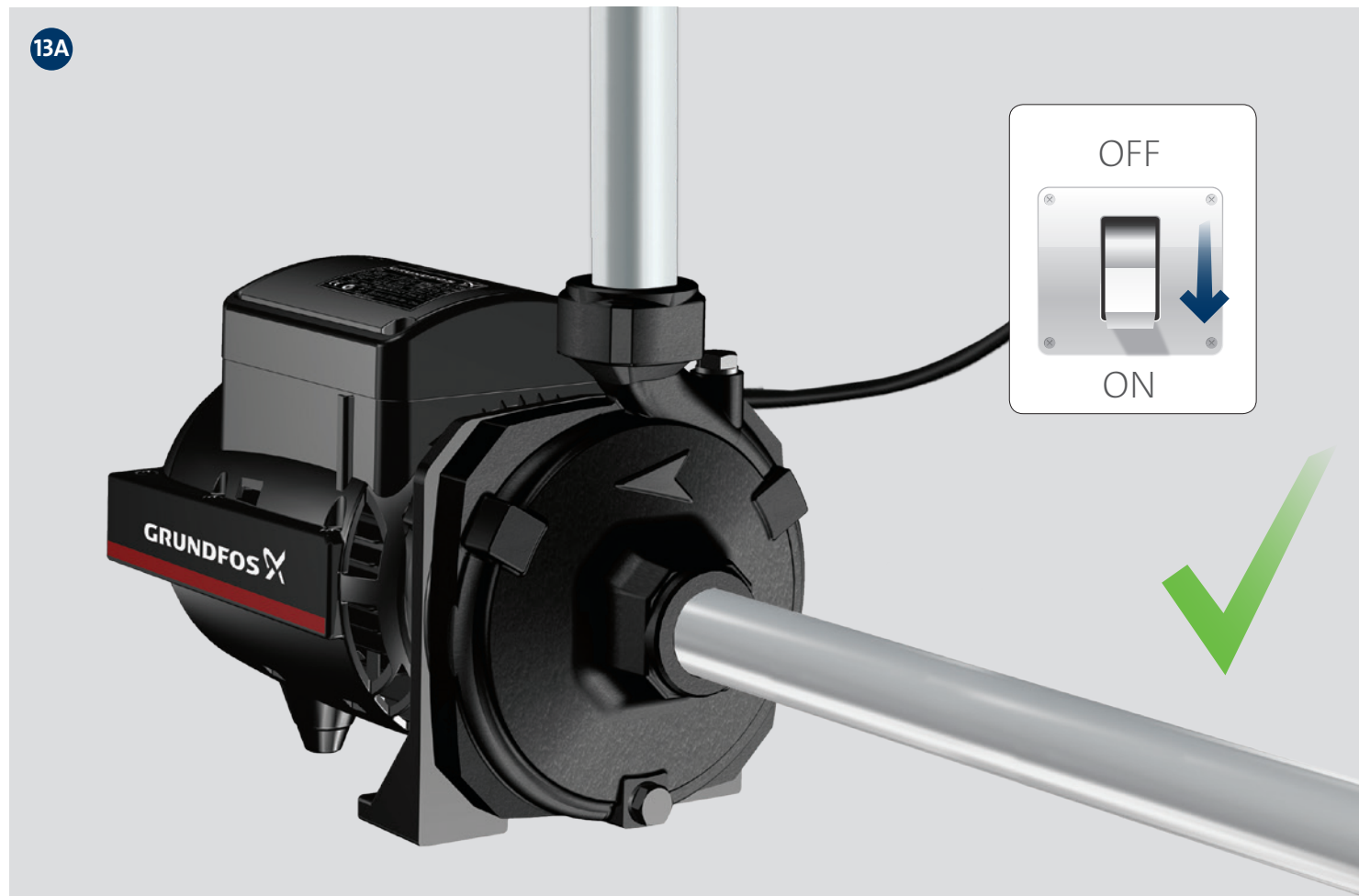




i



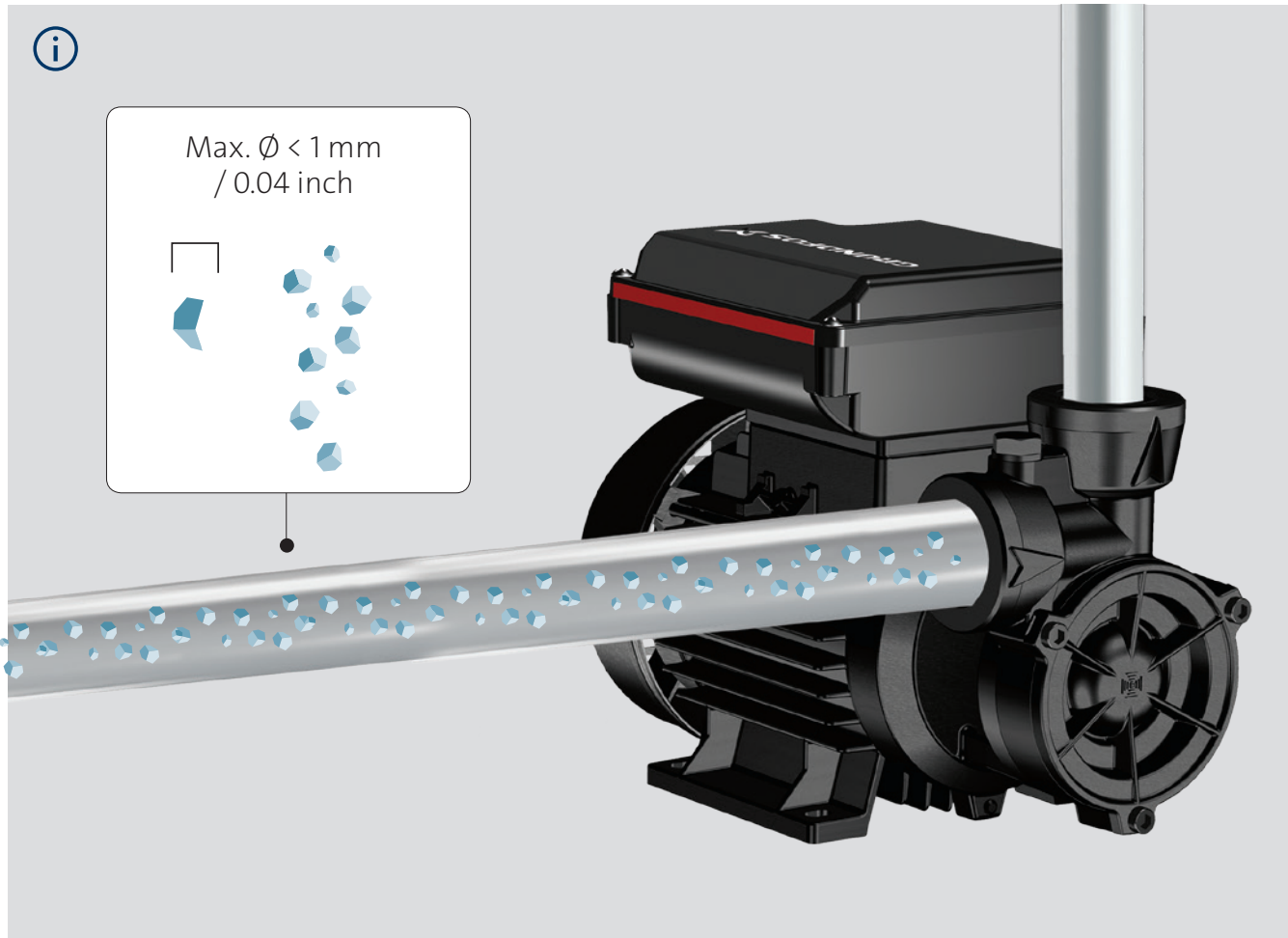
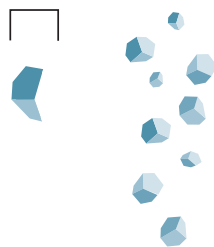
13A



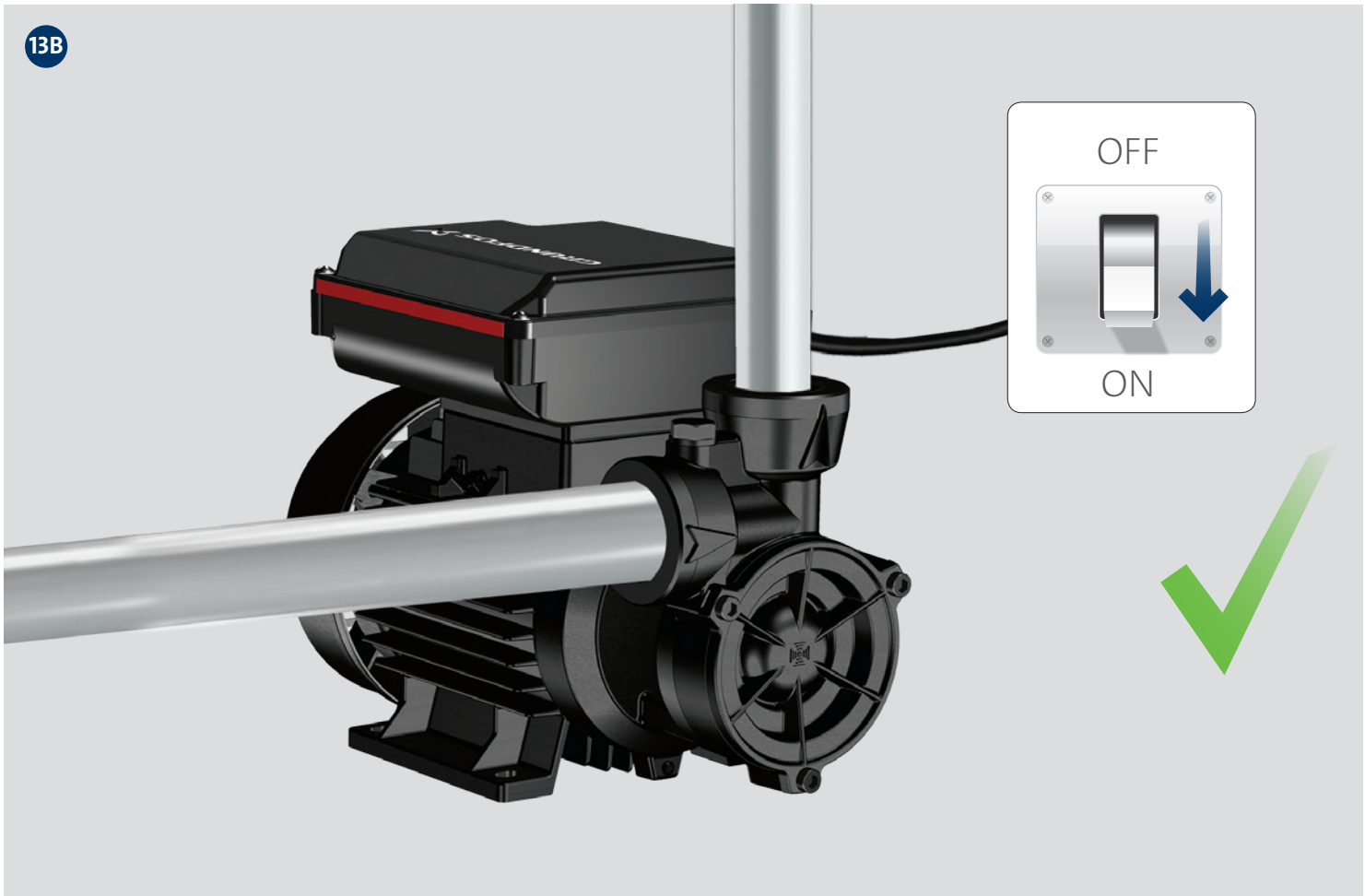


i

Max. $\varnothing < 1$ mm
/ 0.04 inch



13B



be think innovate

avrrora-arm.ru
+7 (495) 956-62-18

GRUNDFOS 

The name Grundfos, the Grundfos logo, and be think innovate are registered trademarks owned by Grundfos Holding A/S or Grundfos A/S, Denmark. All rights reserved worldwide.