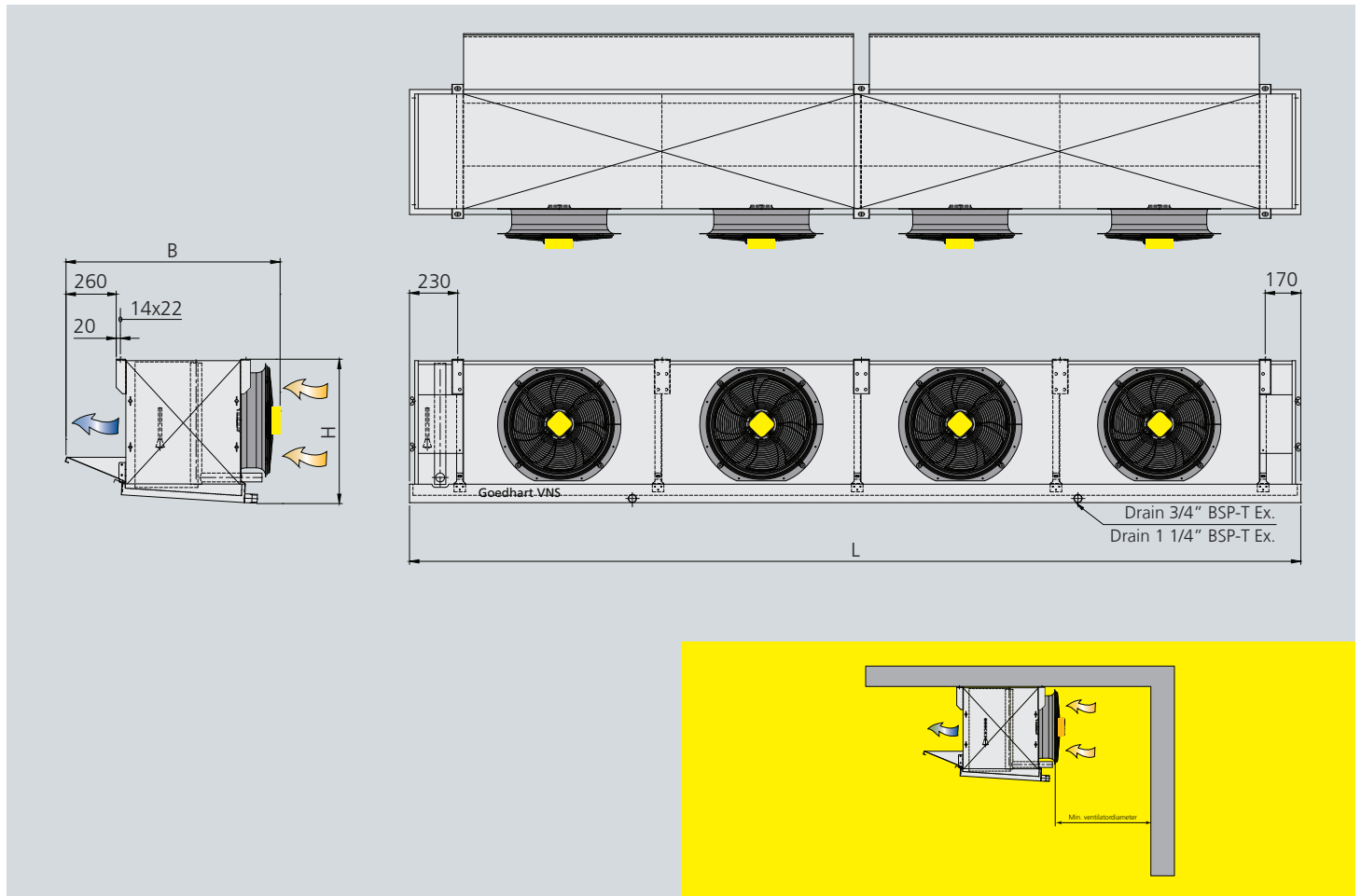




Goedhart® VNS air coolers

DIMENSIONS & WEIGHTS




The Goedhart® VNS range of ceiling mounted aircoolers are specially designed for use in chill rooms, working with an air temperature of $\pm 0^{\circ}\text{C}$. The aircoolers are especially suitable for vegetable and fruit storage, working with a small ΔT to prevent dehydration of the product. The height of the aircooler is low, so the maximum space in the chill room can be utilised.

Casing

- Construction for ceiling mounting
- Casing material of galvanized sheet steel
- Standard white epoxy spray finishing
- Bend/header projection by end covers, easy removed for maintenance
- Standard refrigerant connections are positioned on the left hand side of the unit when looking with the direction of the airflow
- Possible defrost by hot gas spiral or electric defrost elements will be fixed to the bottom side of the coil
- Hinged drip tray prepared
- Stainless steel fasteners

Goedhart® VNS features

- Especially for agricultural applications
- Copper tubes and aluminium fins
- Consisting of 16 models
- Capacity range from 6,4 to 62,5 kW (R404A dx, SC2)
- EC fan technology possible
- Suitable for most refrigerants / coolants with exception of NH_3
- Up to 8 fans, fan diameter 350, 400, 450 and 500 mm
- Goedhart® VNS is delivered on a wooden frame for easy mounting

Type	DIMENSIONS			 GEWICHT (LEEG)
	L	B	H	
Goedhart® VNS	mm	mm	mm	kg
6.3.35.7	2256	970	540	149
6.4.35.7	2856	970	540	191
6.5.35.7	3456	970	540	230
6.6.35.7	4056	970	540	269
6.7.35.7	4656	970	540	310
6.8.35.7	5256	970	540	351
6.3.40.7	2706	955	590	192
6.4.40.7	3456	955	590	245
6.5.40.7	4206	955	590	300
6.6.40.7	4956	955	590	354
6.3.45.7	3306	1025	690	257
6.4.45.7	4256	1025	690	331
6.5.45.7	5206	1025	690	406
6.6.45.7	6156	1025	690	479
6.5.50.7	5456	1125	690	459
6.6.50.7	6456	1125	690	543

The dimensions in the tables are external dimensions of the heat exchanger. Measures such as suspension points, but also internal volume [dm³], other conditions, refrigerants, coolants and materials are available in the Goedhart GPC selection program. Goedhart GPC is free to download from www.kelvion.com.

