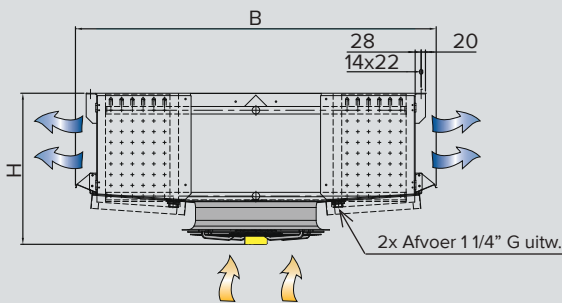
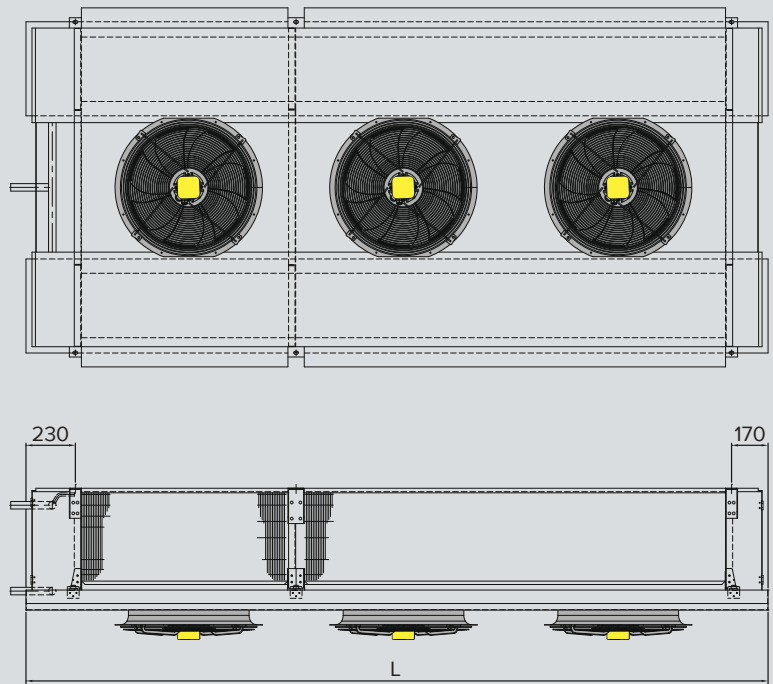




Goedhart® DRS air coolers

DIMENSIONS & WEIGHTS



The fans are mounted to the outside of the air cooler. The fans are as standard not wired on a junction box to the connection side. Wiring is available against an extra price.




The Goedhart® DRS range of dual discharge ceiling mounted air coolers are especially suitable for cooling and working room applications. The height of the aircooler is low, so the maximum space in the chill room can be utilised. The fans are mounted to the outside of the air cooler. The fans are as standard not wired on a junction box to the connection side. Wiring is available against an extra price.




Casing

- Construction for ceiling mounting
- Casing material of galvanized sheet steel
- Standard white epoxy spray finishing
- Bend/header protection by end covers, easy removed for maintenance
- Hinged drip tray (only construction without feet)
- Possible defrost by hot gas spiral or electric defrost elements will be fixed to the bottom side of the coil
- Stainless steel fasteners

Goedhart® DRS features

- Especially for working room applications
- Consisting of 240 models
- Stainless steel tubes and aluminium fins
- Capacity range from 3,8 to 199,6kW at SC2
- EC fan technology possible
- The fans are mounted to the outside of the air cooler, easy for maintenance.
- The fans are as standard not wired on a junction box (optional).
- Suitable for NH₃/CO₂/H(C)FC- pump system and DE system and the most coolants
- Goedhart® DRS is delivered on a wooden frame for easy mounting
- Many options and accessories available

Type	DIMENSIONS			WEIGHTS		
	L	B	H	 4 mm	 7 mm	 10 mm
Goedhart® DRS	mm	mm	mm	kg	kg	kg
3.1.45.*	1156	1270	590	116	109	
4.1.45.*	1156	1370	590	131	120	
6.1.45.*	1156	1570	590	160	145	139
8.1.45.*	1156	1770	590		169	162
1.1.45.*	1156	1970	590			184
3.1.50.*	1356	1320	590	139	129	
4.1.50.*	1356	1420	590	157	144	
6.1.50.*	1356	1620	590	192	172	164
8.1.50.*	1356	1820	590		202	192
1.1.50.*	1356	2020	590			218
3.1.56.*	1456	1380	705	166	153	
4.1.56.*	1456	1480	705	187	170	
6.1.56.*	1456	1680	705	233	207	196
8.1.56.*	1456	1880	705		244	229
1.1.56.*	1456	2080	705			263
3.1.63.*	1456	1450	835	192	176	
4.1.63.*	1456	1550	835	218	197	
6.1.63.*	1456	1750	835	271	239	226
8.1.63.*	1456	1950	835		281	264
1.1.63.*	1456	2150	835			299
3.2.45.*	1856	1270	590	190	175	
4.2.45.*	1856	1370	590	216	197	
6.2.45.4	1856	1570	590	268	238	227
8.2.45.*	1856	1770	590		282	266
1.2.45.*	1856	1970	590			303
3.2.50.*	2256	1320	590	235	216	
4.2.50.*	2256	1420	590	267	241	
6.2.50.*	2256	1620	590	333	294	278
8.2.50.*	2256	1820	590		344	324
1.2.50*	2256	2020	590			371
3.2.56.*	2456	1380	705	281	256	
4.2.56.*	2456	1480	705	325	289	
6.2.56.*	2456	1680	705	409	355	333
8.2.56.*	2456	1880	705		420	392
1.2.56.*	2456	2080	705			453
3.2.63.*	2456	1450	835	330	298	
4.2.63.*	2456	1550	835	379	337	
6.2.63.*	2456	1750	835	477	412	386
8.2.63.*	2456	1950	835		488	453
1.2.63.*	2456	2150	835			520
3.3.45.*	2556	1270	590	266	244	
4.3.45.*	2556	1370	590	303	273	
6.3.45.*	2556	1570	590	379	334	316
8.3.45.*	2556	1770	590		392	368
1.3.45.*	2556	1970	590			422
3.3.50.*	3156	1320	590	331	302	
4.3.50.*	3156	1420	590	378	340	
6.3.50.*	3156	1620	590	474	415	392
8.3.50.*	3156	1820	590		491	460
1.3.50.*	3156	2020	590			527
3.3.56.*	3456	1380	705	409	369	
4.3.56.*	3456	1480	705	471	418	
6.3.56.*	3456	1680	705	594	513	481
8.3.56.*	3456	1880	705		611	568
1.3.56.*	3456	2080	705			654

Type	DIMENSIONS			WEIGHTS		
	L	B	H	 4 mm	 7 mm	 10 mm
Goedhart® DRS	mm	mm	mm	kg	kg	kg
3.3.63.*	3456	1450	835	479	431	
4.3.63.*	3456	1550	835	550	486	
6.3.63.*	3456	1750	835	695	598	559
8.3.63.*	3456	1950	835		708	656
1.3.63.*	3456	2150	835			752
3.4.45.*	3256	1270	590	343	313	
4.4.45.*	3256	1370	590	391	352	
6.4.45.*	3256	1570	590	489	429	405
8.4.45.*	2856	1770	590		507	474
1.4.45.*	3256	1970	590			542
3.4.50.*	4056	1320	590	432	393	
4.4.50.*	4056	1420	590	495	443	
6.4.50.*	4056	1620	590	619	541	511
8.4.50.*	4056	1820	590		639	596
1.4.50.*	4056	2020	590			681
3.4.56.*	4456	1380	705	525	472	
4.4.56.*	4456	1480	705	606	535	
6.4.56.*	4456	1680	705	768	661	618
8.4.56.*	4456	1880	705		787	729
1.4.56.*	4456	2080	705			839
3.4.63.*	4456	1450	835	616	552	
4.4.63.*	4456	1550	835	709	624	
6.4.63.*	4456	1750	835	896	767	715
8.4.63.*	4456	1950	835		911	842
1.4.63.*	4456	2150	835			968
3.5.50.*	4956	1320	590	529	481	
4.5.50.*	4956	1420	590	606	542	
6.5.50.*	4956	1620	590	760	663	624
8.5.50.*	4956	1820	590		781	728
1.5.50.*	4956	2020	590			833
3.5.56.*	5456	1380	705	643	577	
4.5.56.*	5456	1480	705	743	655	
6.5.56.*	5456	1680	705	946	811	758
8.5.56.*	5456	1880	705		966	893
1.5.56.*	5456	2080	705			1029
3.5.63.*	5456	1450	835	756	676	
4.5.63.*	5456	1550	835	870	764	
6.5.63.*	5456	1750	835	1104	942	878
8.5.63.*	5456	1950	835		1121	1034
1.5.63.*	5456	2150	835			1191
3.6.50.*	5856	1320	590	627	570	
4.6.50.*	5856	1420	590	717	640	
6.6.50.*	5856	1620	590	902	784	737
8.6.50.*	5856	1820	590		925	861
1.6.50.*	5856	2020	590			985
3.6.56.*	6456	1380	705	767	687	
4.6.56.*	6456	1480	705	886	779	
6.6.56.*	6456	1680	705	1127	965	901
8.6.56.*	6456	1880	705		1149	1061
1.6.56.*	6456	2080	705			1221
3.6.63.*	6456	1450	835	901	805	
4.6.63.*	6456	1550	835	1039	911	
6.6.63.*	6456	1750	835	1316	1122	1045
8.6.63.*	6456	1950	835		1334	1230
1.6.63.*	6456	2150	835			1413

The dimensions in the tables are external dimensions of the heat exchanger. Measures such as suspension points, but also internal volume [dm³], other conditions, refrigerants, coolants and materials are available in the Goedhart GPC selection program. Goedhart GPC is free to download from www.kelvion.com.

