

NC / NO / DA

ISO-BS-ASTM

CM/CP

-
-
-
-
-
-
-
-
-
-
-
-
-
-
-
-

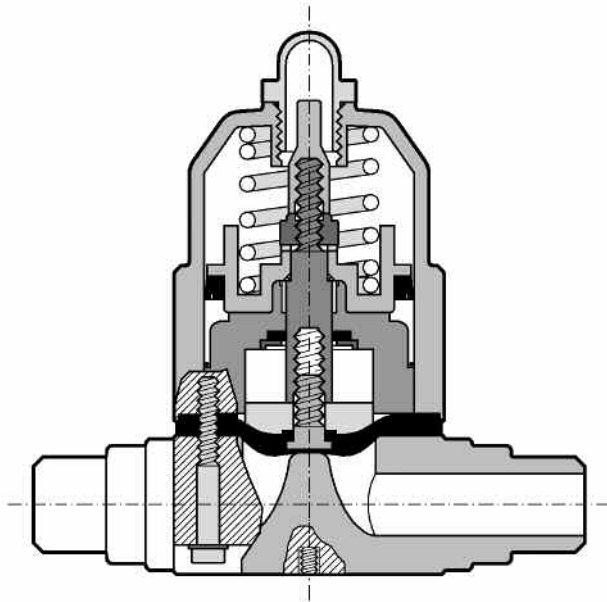
3/2-

:

FIP

. FIP

avrora-arm.ru
+7 (495) 956-62-18



d
DN
PN

() ()
()

20°

g
U
s
U-PVC
PP-H
PVC-C
PVDF
ABS
EPDM
FPM
PTFE
PE
PA
PPS
k_{v100}

()

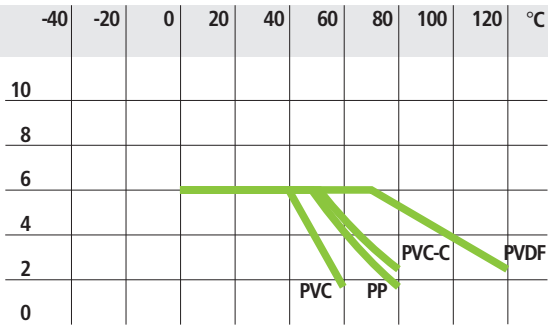
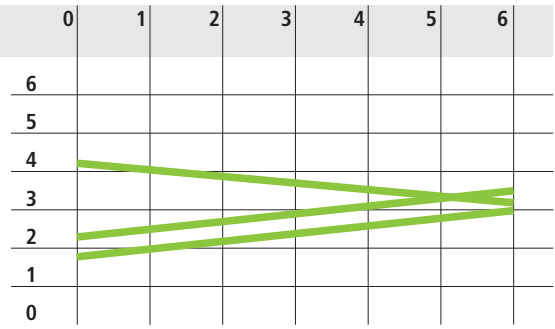
()

- -

k_{v100}
k_{v100} -
Äp = 1

/

20°

1

2

3

DN	12	15
k_{v100}	47	58

	.6
	4-7
	(NC-NO-DA)
*	.40°
	0,027 NL
	EPDM-FPM-NBR-PTFE**
	PVC, CPVC, PP, PVDF
*	
**	

1

(25)

2
3

k_{v100} ()

FIP

U-PVC: ISO727, EN 1452, DIN 8063, BS4346/1, ASTM 2467/76a.
 ISO161/1, EN 1452, DIN 8062, NF T54-016, BS3506, BS3505, ASTM

1785/76.

PVC-C: ISO727, EN ISO 15493, ASTM F439.
 EN ISO 15493, DIN 8079/8080, ASTM D 1785/76.

PP-H: DIN 16962
 : ISO 3609, DIN 8077, UNI 8318, BS 4991.

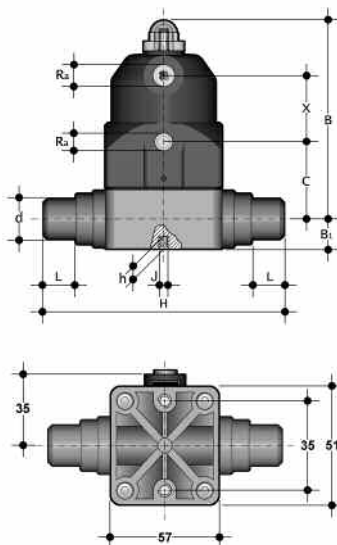
PVDF: ISO DIS 10931
 : ISO DIS 10931/2

: UNI-ISO 228/1, DIN 2999, BS21.
 : ISO 2084, EN 1452, DIN 8063, ASA ANSI B.16.5 150.

CMDV/CP CMDM/CP CMDC/CP CMDF/CP

ISO

U-PVC, PP-H, PVC-C, PVDF

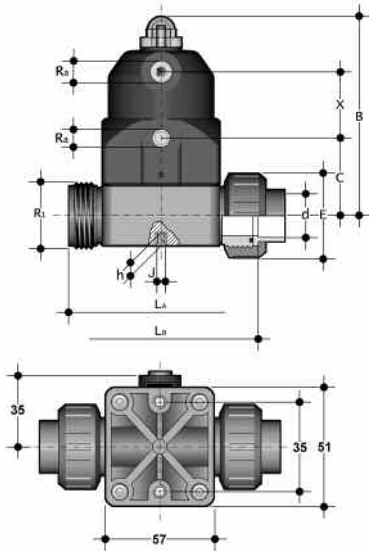


d	DN	PN	B	B ₁	C	X	Ra	L	H	h	J	g
20	15	6	98	12,5	38	34	1/8"	16	124	8	M5	340

CMUIV/CP CMUIM/CP CMUIC/CP CMUIF/CP

U-PVC, PP-H, PVC-C, PVDF

ISO

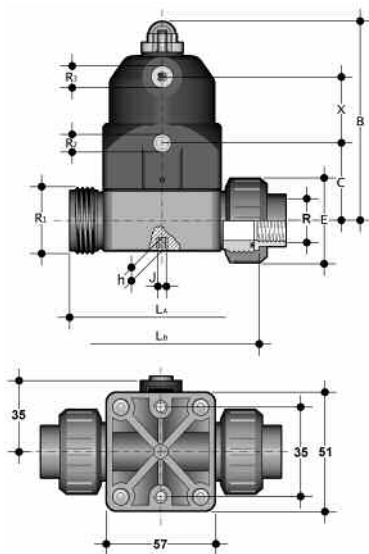


d	DN	PN	B	C	E	R ₁	X	Ra	L _A	L _B	h	J	g
20	15	6	98	38	41	1"	34	1/8"	90	96	8	M5	340

CMUFV/CP

U-PVC

BSP

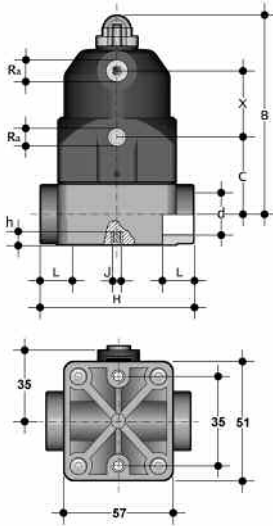


R	DN	PN	B	C	E	R ₁	X	Ra	L _A	L _B	h	J	g
1/2"	15	6	98	38	41	1"	34	1/8"	90	96	8	M5	340

CMIV/CP CMIM/CP CMIF/CP

ISO

U-PVC, PP-H, PVDF

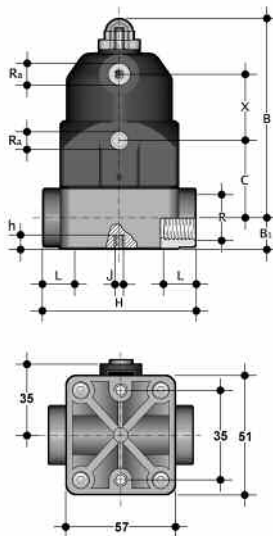


d	DN	PN	B	C	X	Ra	L	H	h	J	g
16	12	6	98	38	34	1/8"	14	75	8	M5	340
20	15	6	98	38	34	1/8"	16	75	8	M5	340

CMFV/CP CMFM/CP CMFF/CP

BS

U-PVC, PP-H, PVDF



d	DN	PN	B	C	X	Ra	L	H	h	J	g
3/8"	12	6	98	38	34	1/8"	14	75	8	M5	340
1/2"	15	6	98	38	34	1/8"	16	75	8	M5	340

1)

2)

3)

4)

1)

2)

3)

4)

1)

2)

3)

4)

*

».

«

(17) (14) (3) (5). (15).

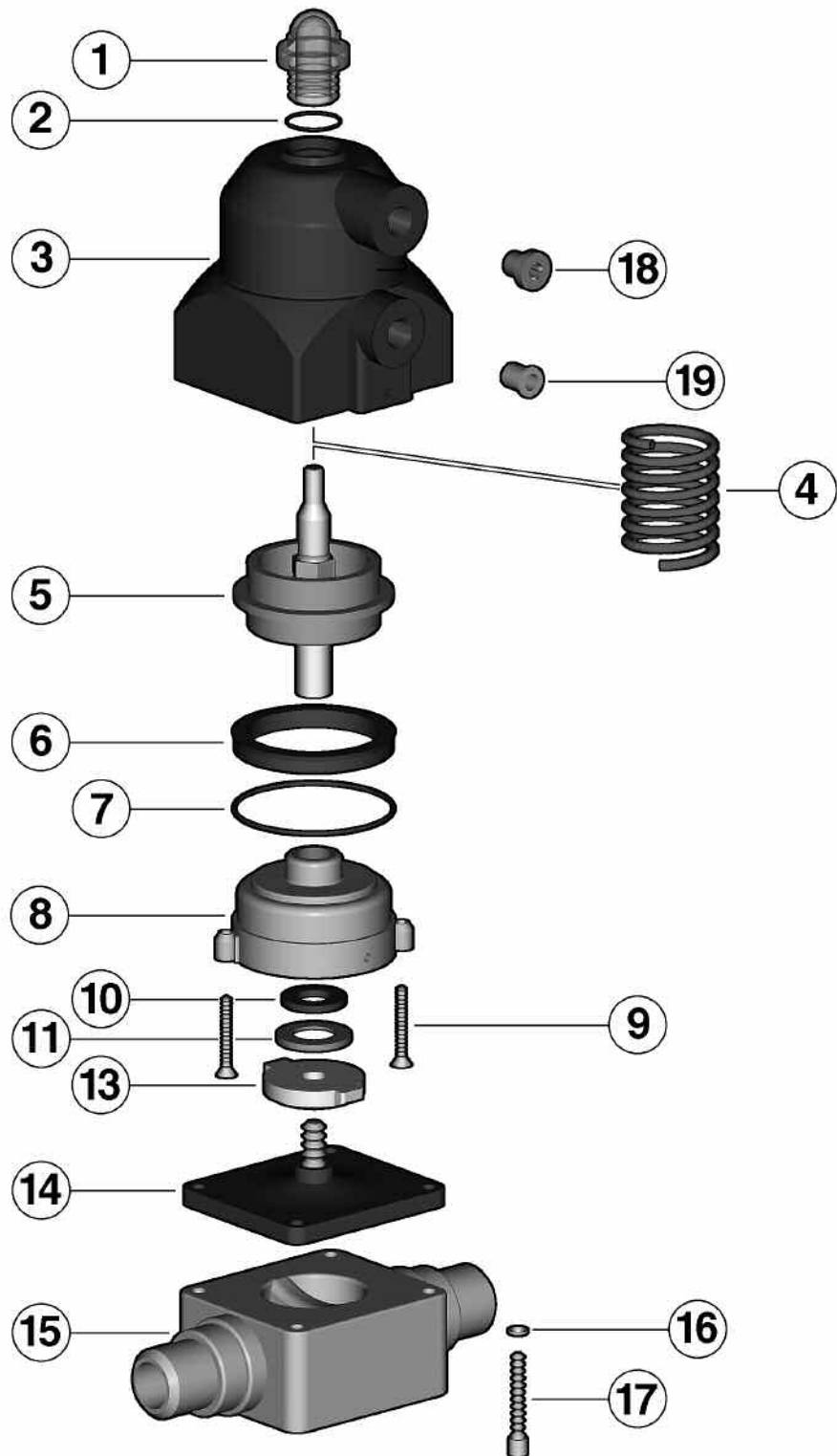
(9), (3) (5) (8).
(6), (7) (10)

6), (7) (10) (5) (5) (8).
(4)* (5), (3)

(9).
(15).

(17) (16)
*

NC / NO



.			
1		VC	1
2		NBR	1
3		PAMXD6	1
4	(*)		1
5		W. 1.4104+ PAMXD6	1
6	(**)	NBR	1
7		NBR	1
8		PAMXD6	1
9			1
10		NBR	1
11			6
12			6
13		PAMXD6	1
14		EPDM, FPM, PTFE	1
15		PVC-U, PVC-C, PP, PVDF,	1
16			4
17		W. 1.4104	4

(*)

NC NO

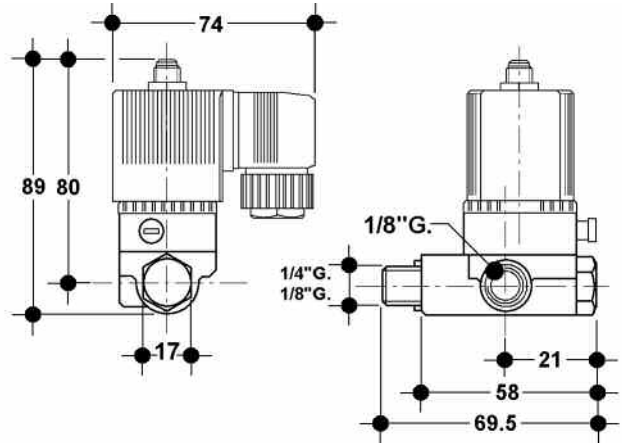
(**)

DA

SP

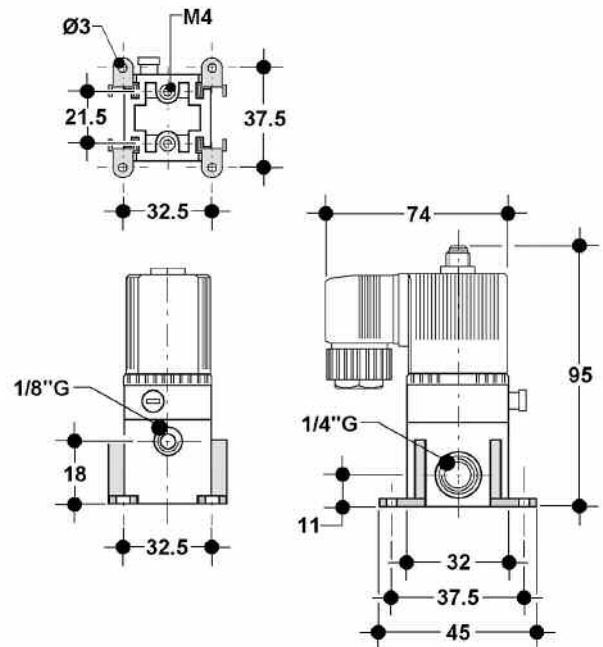
3/2

DN 2,5


SB

3/2

DN 2,5



SP - SB

(NC)
(NO)

2,5

PBTB
NBR
0-10
-10 - +60°
200 / (6 - P 1)
230/110/24 ±10%
40-60
200/110/100/48/24/12 ±10%
: 24 ; 17 /8
: 8
4 90° Pg9 (6-9)
IP65
100% ()
(60%)
: . 10-15 , . 15-20
: . 15-20 , . 10-22

290

24.11...


	DN	
CM/NC-NO-DA	12÷15	ZLP2411011

24.12...


	DN	
CM/NC-NO-DA	12÷15	ZLI2412012

24.15...


24.91... / 24.92...

24.91 () 24.92 ()

100

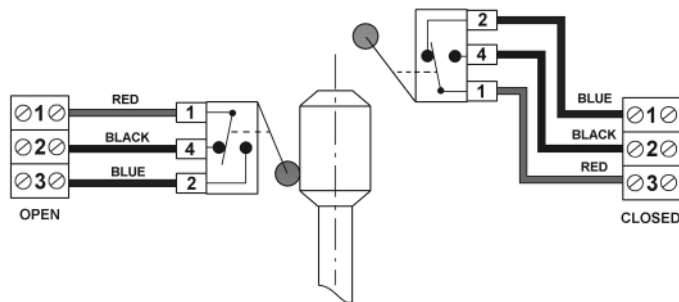
Pg9,

– IP65.

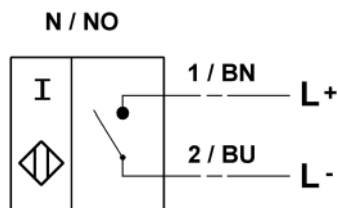


24.91...

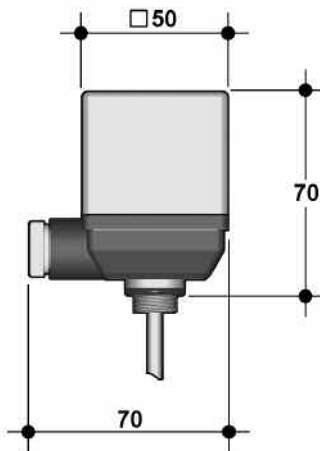
	250 – 5
	5 x 10 ⁶
	IP65
	85°


24.92... NAMUR

	NAMUR 2-
	5 – 25
	8
	IP65
	EEx ia IIC T6



24.91... / 24.92...



24.91...

	DN	
CM/NC-NO-DA	12÷15	ZMS2491001

24.92... NAMUR

	DN	
CM/NC-NO-DA	12÷15	ZMS2492001

24.90...

24.90

FIP

360°.

Pg9.

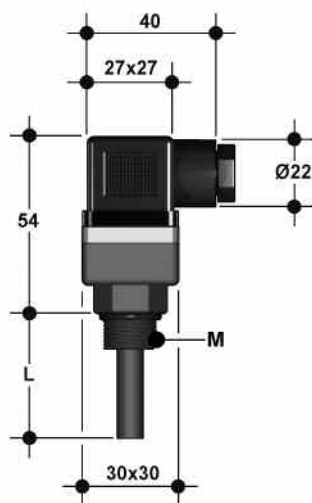
-10° +55°



24.90...

	250 - 5
	IP65
	+55 °

24.90...



	DN	M	L	
CM/NC	12÷15	12x1	12	ZMS2490001