

ISO-BS-ASTM-JIS.

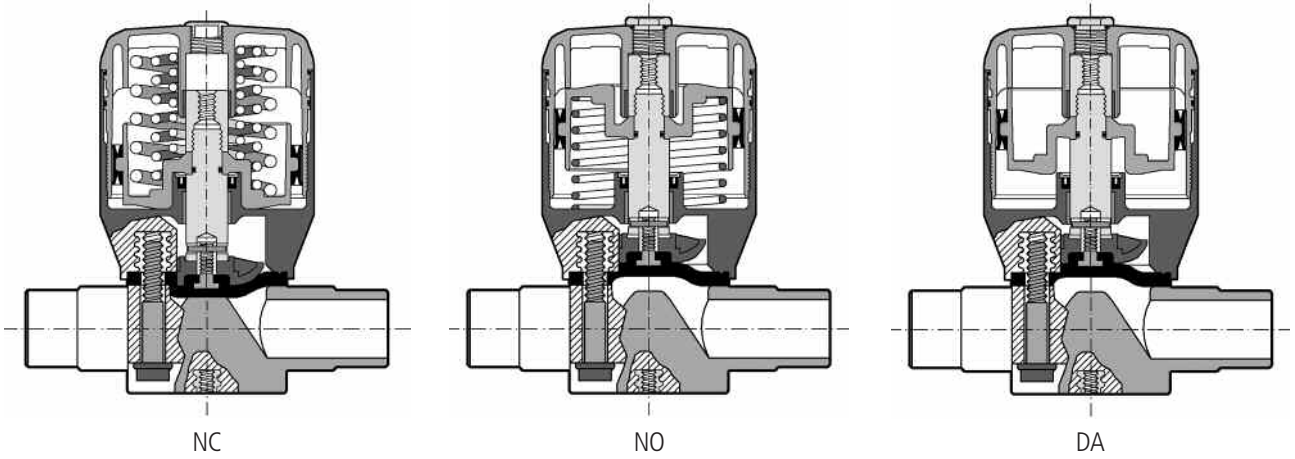
10

(Kv)

NAMUR

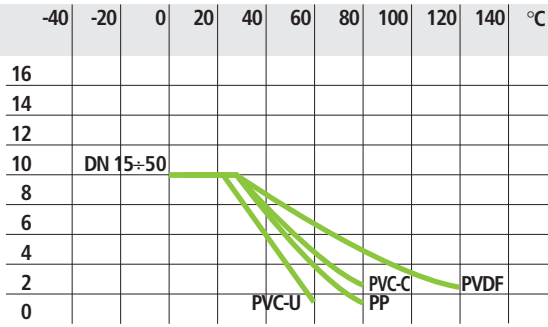
- 3/2-

**avrorarm.ru**  
**+7 (495) 956-62-18**

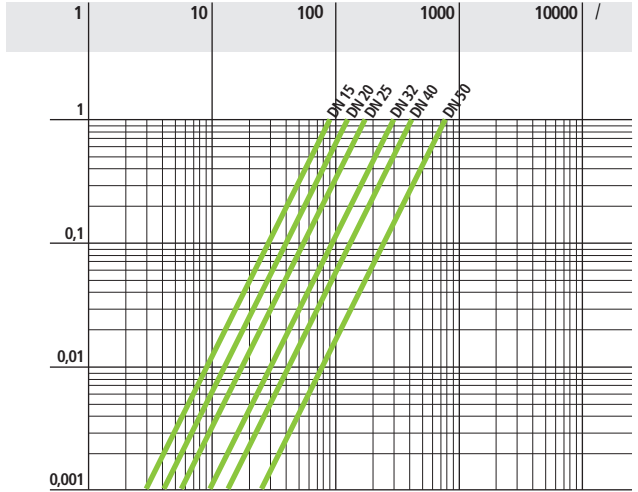


d	( )	( )
DN	( )	( )
PN		
	20°	'
g		
U		
s	( )	
U-PVC		
PP-H		
PVC-C		
PVDF	( )	( )
ABS		
EPDM	-	-
FPM		
PTFE		
PE		
PA		
PPS		
k <sub>v100</sub>	kv100	
	k <sub>v100</sub> -	/
1		20°

1



2



3

d	20	25	32	40	50	63
DN	15	20	25	32	40	50
k <sub>v100</sub>	93	136	175	300	416	766

1

( 25 )

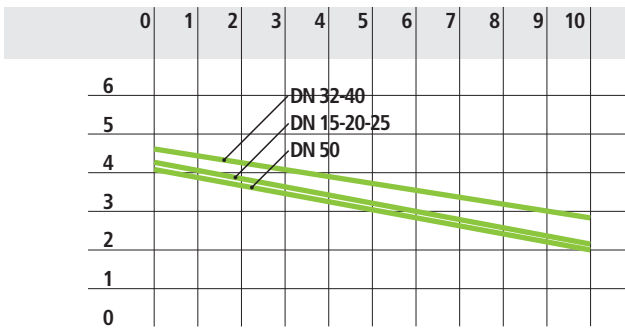
2

3

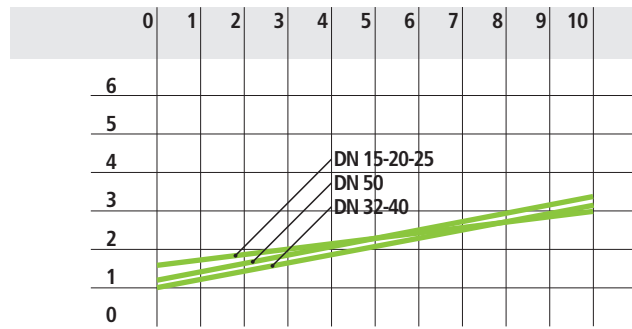
k<sub>v100</sub> ( )

			. 10
		NC	. 6
		NO-DA	. 5
		NC-NO-DA	
	*		. 40°
		DN 15-25	NC = 0,19 NL    NO = 0,17 NL
		DN 32-40	NC = 0,31 NL    NO = 0,33 NL
		DN 50	NC = 0,68 NL    NO = 0,79 NL
		EPDM-FPM-NBR-PTFE**	
		PVC-U, PVC-C, PP, PVDF, ABC	
	*		
	**		

### MK/NC



### MK/NO-DA



FIP

U-PVC: ISO727, EN 1452, DIN 8063, BS4346/1, ASTM 2467/76a.  
 ISO161/1, EN 1452, DIN 8062, NF T54-016, BS3506, BS3505, ASTM

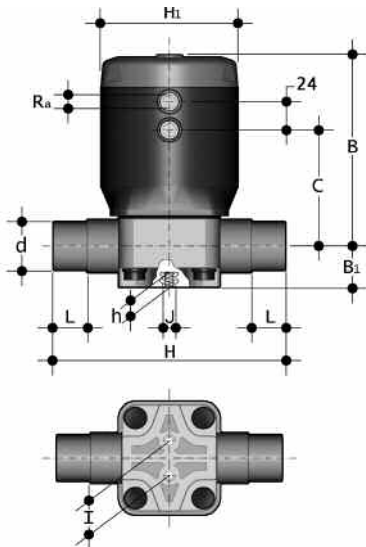
1785/76.

PVC-C: ISO727, EN ISO 15493, ASTM F439.  
 EN ISO 15493, DIN 8079/8080, ASTM D 1785/76.  
 PP-H: DIN 16962  
 : ISO 3609, DIN 8077, UNI 8318, BS 4991.  
 PVDF: ISO DIS 10931  
 : ISO DIS 10931/2  
 : UNI-ISO 228/1, DIN 2999, BS21.  
 : ISO 2084, EN 1452, DIN 8063, ASA ANSI B.16.5 150.

**MKDV/CP MKDM/CP MKDC/CP MKDF/CP**

ISO

U-PVC, PP-H, PVC-C, PVDF



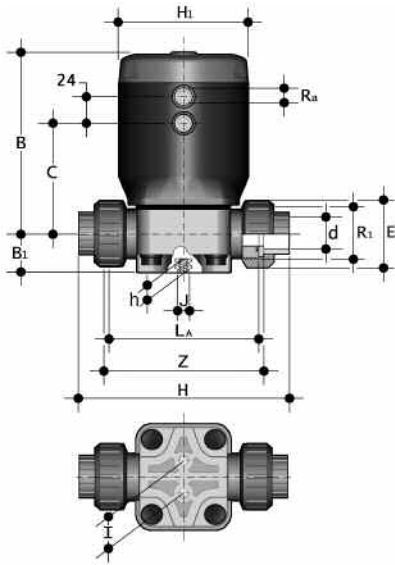
d	DN	PN	B	B <sub>1</sub>	C	H	h	H <sub>1</sub>	I	J	L	Ra			
													NC	NO	DA
20	15	10	144	26	89	124	12	95	25	M6	16	G 1/4"	1220	1084	974
25	20	10	144	26	89	144	12	95	25	M6	19	G 1/4"	1224	1088	978
32	25	10	144	26	89	154	12	95	25	M6	22	G 1/4"	1226	1090	980
40	32	10	171	40	103	174	18	114	44,5	M8	26	G 1/4"	2515	1880	1770
50	40	10	171	40	103	194	18	114	44,5	M8	31	G 1/4"	2519	1884	1774
63	50	10	216,5	40	145	224	18	144	44,5	M8	38	G 1/4"	4232	3143	2946

U-PVC

**MKUIV/CP MKUIM/CP MKUIC/CP MKUIF/CP**

U-PVC, PP-H, PVC-C, PVDF

ISO

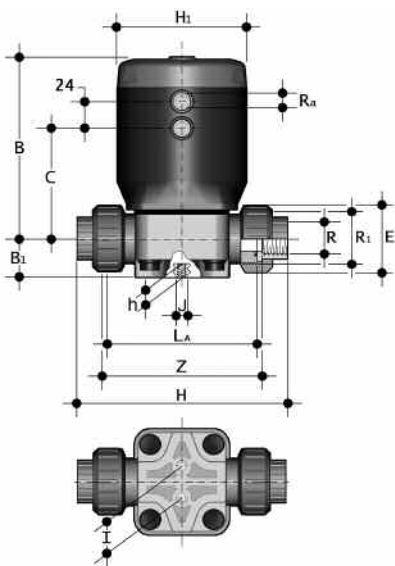


d	DN	PN	B	C	B <sub>1</sub>	H	h	H <sub>1</sub>	I	La	J	Z	E	H <sub>1</sub>	Ra	NC	NO	DA
20	15	10	144	89	26	147	12	95	25	108	M6	115	41	1"	G 1/4"	1234	1098	988
25	20	10	144	89	26	154	12	95	25	108	M6	116	50	1" 1/4	G 1/4"	1268	1132	1022
32	25	10	144	89	26	168	12	95	25	116	M6	124	58	1" 1/2	G 1/4"	1314	1178	1068
40	32	10	171	103	40	192	16	114	44,5	134	M8	140	72	2"	G 1/4"	2647	2012	1902
50	40	10	171	103	40	222	16	114	44,5	154	M8	160	79	2" 1/4	G 1/4"	2723	2088	1978
63	50	10	216,5	145	40	266	16	144	44,5	184	M8	190	98	2" 3/4	G 1/4"	4626	3537	3340

U-PVC

**MKUFV/CP**

U-PVC



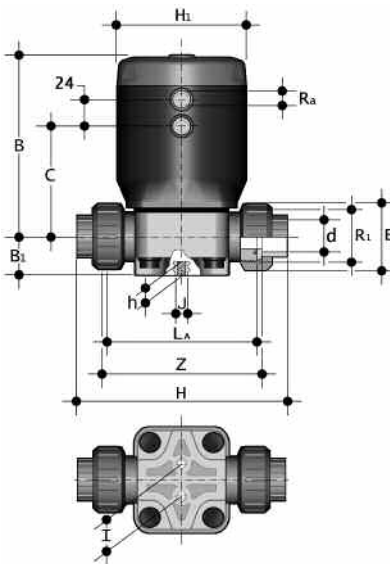
R	DN	PN	B	C	B <sub>1</sub>	H	h	H <sub>1</sub>	I	La	J	Z	E	R <sub>1</sub>	Ra	NC	NO	DA
1/2"	15	10	144	89	26	147	12	95	25	108	M6	115	41	1"	G 1/4"	1234	1098	988
3/4"	20	10	144	89	26	154	12	95	25	108	M6	116	50	1" 1/4	G 1/4"	1268	1132	1022
1"	25	10	144	89	26	168	12	95	25	116	M6	124	58	1" 1/2	G 1/4"	1314	1178	1068
1" 1/4	32	10	171	103	40	192	16	114	44,5	134	M8	140	72	2"	G 1/4"	2647	2012	1902
1" 1/2	40	10	171	103	40	222	16	114	44,5	154	M8	160	79	2" 1/4	G 1/4"	2723	2088	1978
2"	50	10	216,5	145	40	266	16	144	44,5	184	M8	190	98	2" 3/4	G 1/4"	4626	3537	3340

U-PVC

**MKULV/CP**

BS

U-PVC



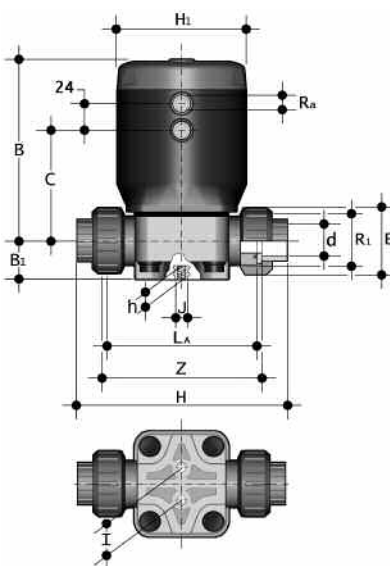
d	DN	PN	B	C	B <sub>1</sub>	H	h	H <sub>1</sub>	I	La	J	Z	E	R <sub>1</sub>	Ra	, NC NO DA		
																NC	NO	DA
1/2"	15	10	144	89	26	147	12	95	25	108	M6	114	41	1"	G 1/4"	1234	1098	988
3/4"	20	10	144	89	26	154	12	95	25	108	M6	116	50	1" 1/4	G 1/4"	1268	1132	1022
1"	25	10	144	89	26	168	12	95	25	116	M6	121	58	1" 1/2	G 1/4"	1314	1178	1068
1" 1/4	32	10	171	103	40	192	16	114	44,5	134	M8	142	72	2"	G 1/4"	2647	2012	1902
1" 1/2	40	10	171	103	40	222	16	114	44,5	154	M8	162	79	2" 1/4	G 1/4"	2723	2088	1978
2"	50	10	216,5	145	40	266	16	144	44,5	184	M8	194	98	2" 3/4	G 1/4"	4626	3537	3340

U-PVC

**MKUAV/CP MKUAC/CP**

ASTM,

U-PVC, C-PVC

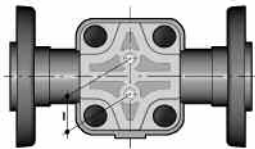
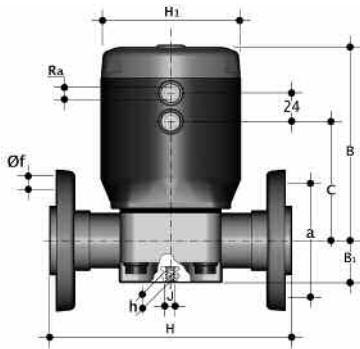


d	DN	PN	B	C	B <sub>1</sub>	H	h	H <sub>1</sub>	I	La	J	Z	E	R <sub>1</sub>	Ra	, NC NO DA		
																NC	NO	DA
1/2"	15	10	144	89	26	160	12	95	25	108	M6	115	41	1"	G 1/4"	1234	1098	988
3/4"	20	10	144	89	26	167	12	95	25	108	M6	115	50	1" 1/4	G 1/4"	1268	1132	1022
1"	25	10	144	89	26	180	12	95	25	116	M6	122	58	1" 1/2	G 1/4"	1314	1178	1068
1" 1/4	32	10	171	103	40	208	16	114	44,5	134	M8	144	72	2"	G 1/4"	2647	2012	1902
1" 1/2	40	10	171	103	40	234	16	114	44,5	154	M8	164	79	2" 1/4	G 1/4"	2723	2088	1978
2"	50	10	216,5	145	40	272	16	144	44,5	184	M8	195	98	2" 3/4	G 1/4"	4626	3537	3340

U-PVC

**DIN 8063**

U-PVC, PP-H, PVC-C, PVDF

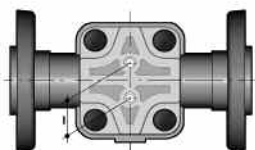
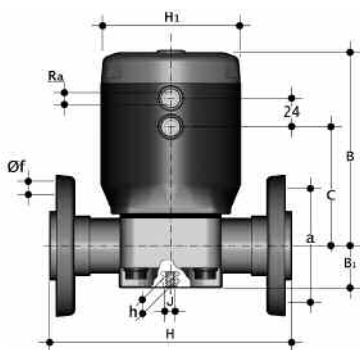


d	DN	PN	B	B <sub>1</sub>	C	H	h	H <sub>1</sub>	Ra	I	J	F	f	U	, ,		
															NC	NO	DA
20	15	10	144	26	89	130	12	95	G 1/4"	25	M6	65	14	4	1360	1224	1114
25	20	10	144	26	89	150	12	95	G 1/4"	25	M6	75	14	4	1426	1290	1180
32	25	10	144	26	89	160	12	95	G 1/4"	25	M6	85	14	4	1516	1380	1270
40	32	10	171	40	103	180	16	114	G 1/4"	44,5	M8	100	18	4	2975	2340	2230
50	40	10	171	40	103	200	16	114	G 1/4"	44,5	M8	110	18	4	3093	2458	2348
63	50	10	216,5	40	145	230	16	144	G 1/4"	44,5	M8	125	18	4	5002	3913	3716

U-PVC

**DIN 8063**

U-PVC, PP-H, PVC-C, PVDF



	PN	B	B <sub>1</sub>	C	H	h	H <sub>1</sub>	Ra	I	J	F	f	U	, ,		
														NC	NO	DA
1/2"	10	144	26	89	130	12	95	G 1/4"	25	M6	60,3	16	4	1360	1224	1114
3/4"	10	144	26	89	150	12	95	G 1/4"	25	M6	69,9	16	4	1426	1290	1180
1"	10	144	26	89	160	12	95	G 1/4"	25	M6	79,4	16	4	1516	1380	1270
1" 1/4	10	171	40	103	180	16	114	G 1/4"	44,5	M8	88,9	16	4	2975	2340	2230
1" 1/2	10	171	40	103	200	16	114	G 1/4"	44,5	M8	98,4	16	4	3093	2458	2348
2"	10	216,5	40	145	230	16	144	G 1/4"	44,5	M8	120,7	19	4	5002	3913	3716

U-PVC



1.

2.

3.

4.



1.  
2.

(28),

(27)

(24)

3.

(7)  
(2).

8

(2)

25

8.

4.

NO DA

5.

(8)

(7).

1.

(23)

(24)

(27)

(25)

(27).

(28).

2.

8

7

(2)

8

25

(2).

8.

(11)

3.

8

7,

9.

10-

11

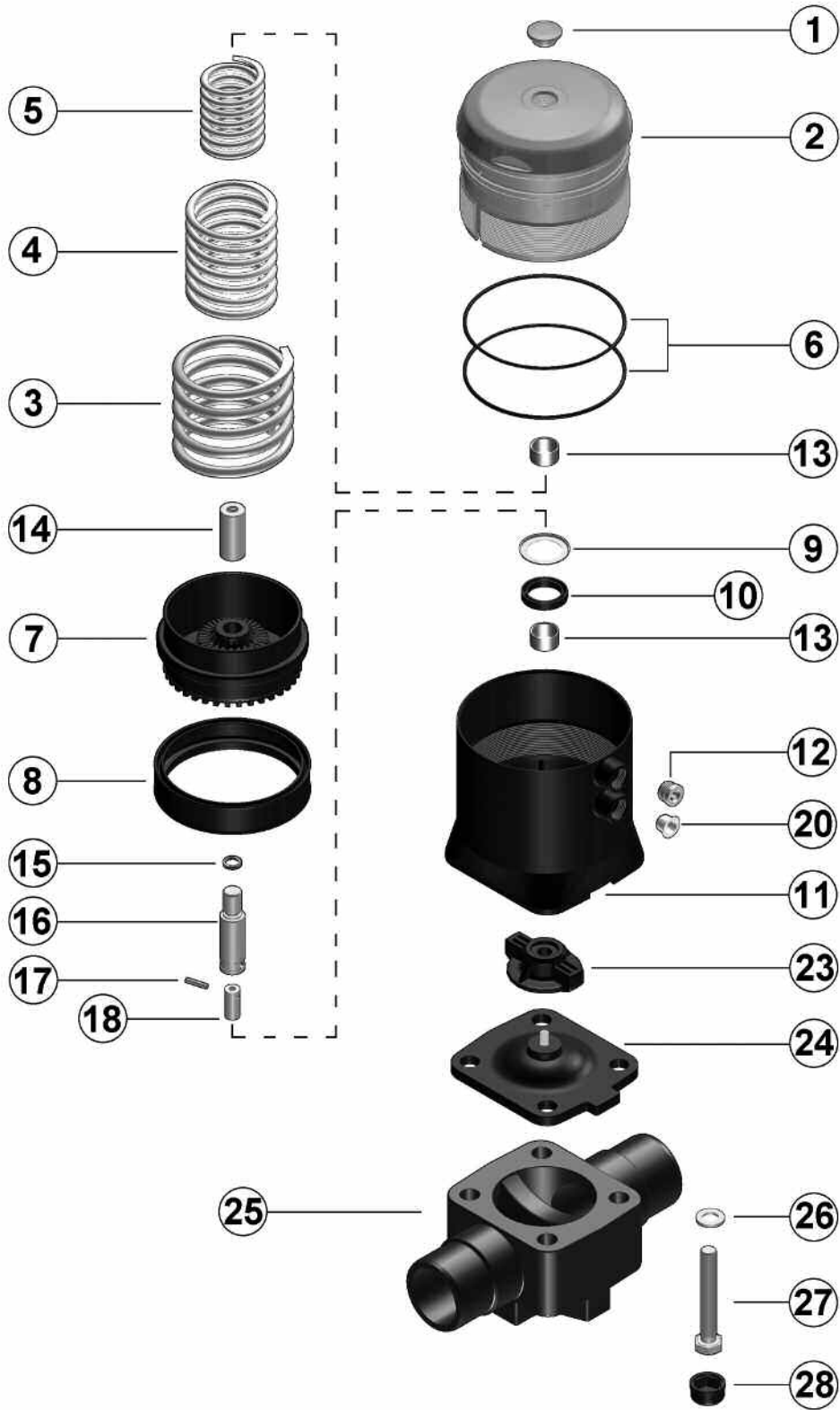
2.

11

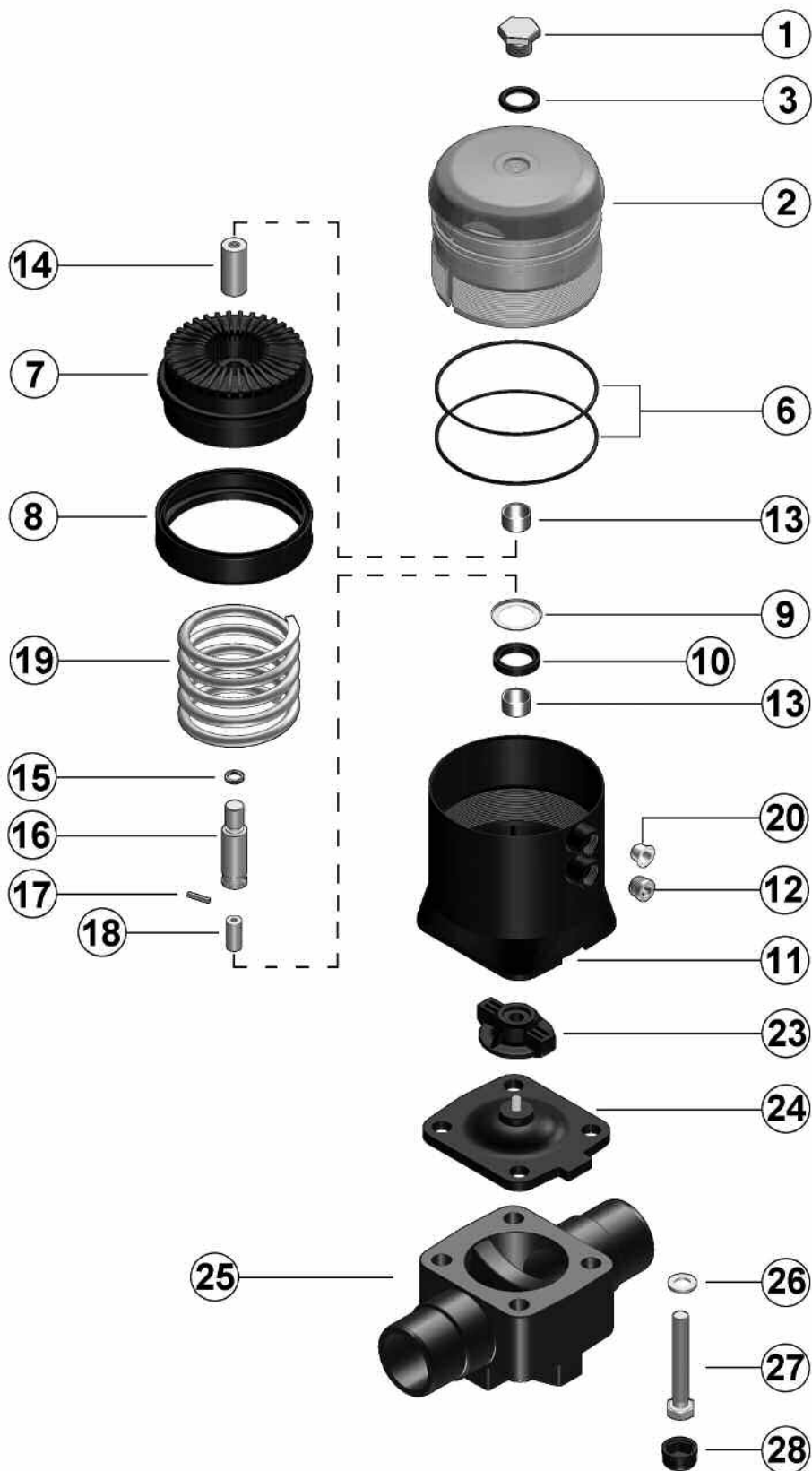
16

11.

(NC)



( N )



1			1
2		(*)	1
3		, EPS	1
4		, EPS	1
5		, EPS	1
6		NBR	2
7			1
8	U-	NBR	1
9			1
10		NBR	1
11		(*)	1
12			1
13	DU-	/	2
14			1
15		NBR	1
16			1
17			1
18			1
19	NO	, EPS	1
20			1
23			1
24		EPDM, FPM, NBR, CSM, PTFE	1
25		U-PVC, PVC-C, PP, PVDF, ABS	1
26		(**)	4
27		(**)	4
28		PE	4

(\*) PPS

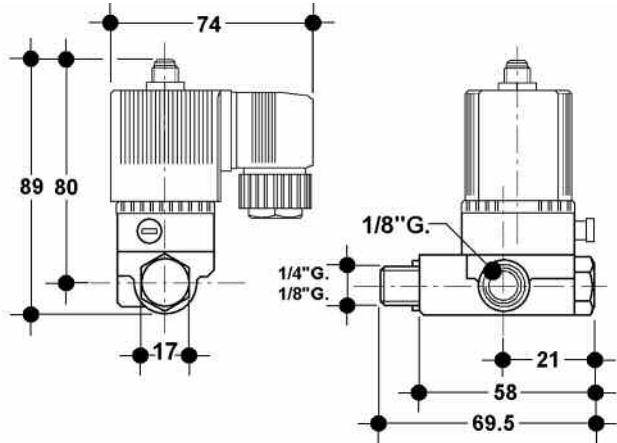
(\*\*)

PVDF

**SP**

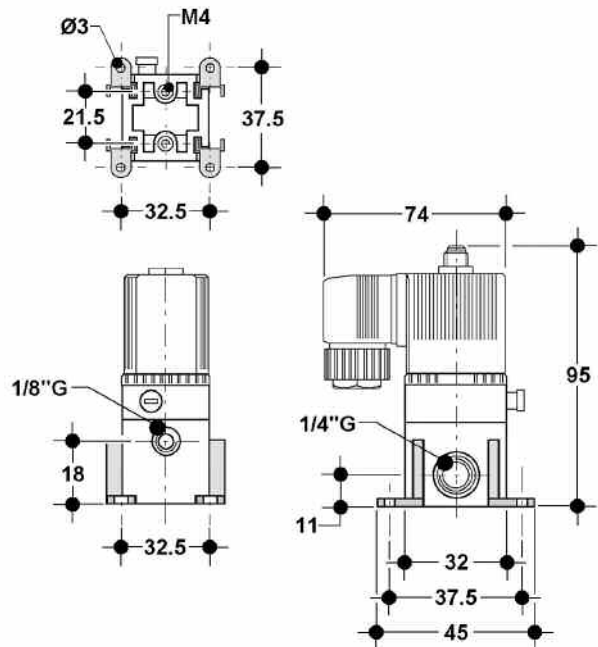
3/2

DN 2,5


**SB**

3/2

DN 2,5



**SP - SB**

(NC)  
(NO)

2,5

PBTB  
NBR  
0-10  
-10 - +60°  
200 / (6 - P 1)  
230/110/24 ±10%  
40-60  
200/110/100/48/24/12 ±10%  
: 24 ; 17 /8  
: 8  
4 90° Pg9 (6-9 )  
IP65  
100% ( )  
(60% )  
: . 10-15 , . 15-20  
: . 15-20 , . 10-22

290



## 24.10...



	DN	
MK/NC-NO-DA	15÷25	ZIN2410044
MK/NC-NO-DA	32-40	ZIN2410045
MK/NC-NO-DA	50	ZIN2410046

## 24.12...



	DN	
MK/NC-NO-DA	15÷25	ZLI2412026
MK/NC-NO-DA	32-40	ZLI2412027
MK/NC-NO-DA	50	ZLI2412028

## 24.13...



	DN	
MK/NC-NO-DA	15÷25	ZLI2413013
MK/NC-NO-DA	32-40	ZLI2413014
MK/NC-NO-DA	50	ZLI2413015

**24.16...**

**24.44...**

24.63, 24.64, 24.65, 24.89



	DN	
MK/NC-NO-DA	15÷25	ZLP2444010
MK/NC-NO-DA	32-40	ZLP2444011
MK/NC-NO-DA	50	ZLP2444012

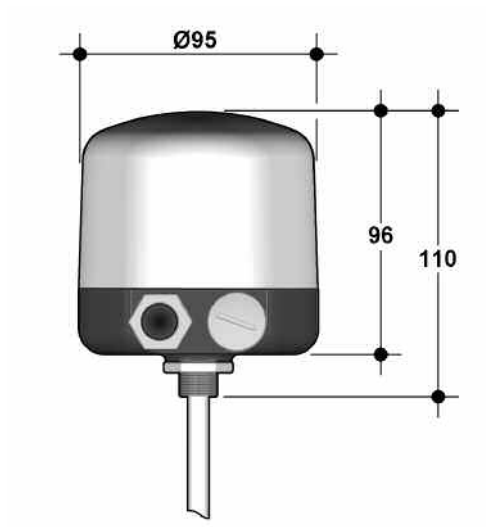
**24.85... / 24.86... / 24.87...**

24.85 ( ) 24.86, 24.87 ( )

100

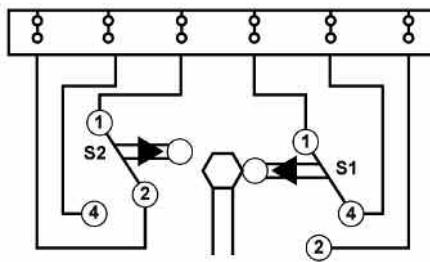
Pg13.5,

– IP65.

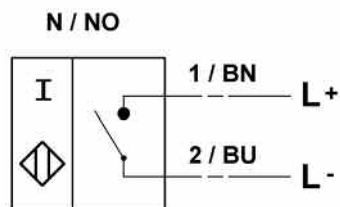


**24.85...**

	250 - 5
	5 x 10 <sup>6</sup>
	IP65
	85 <sup>0</sup>

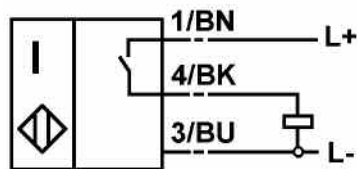

**24.86... (NAMUR)**

	NAMUR 2-
	5 - 25
	8
	IP65
	EEx ia IIC T6



## 24.87... (PNP)

	PNP NO 3-
	10 – 30
	3
	0-100
	15
	IP65



## 24.85...

	DN	
MK/NC	15÷50	ZMS2485004
MK/NO-DA	15÷50	ZMS2485010

## 24.86...

	DN	
MK/NC	15÷50	ZMS2486004
MK/NO-DA	15÷50	ZMS2486010

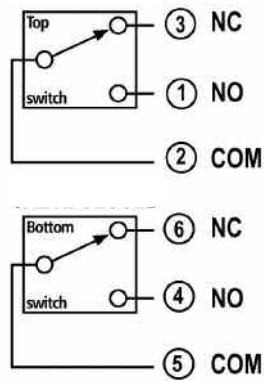
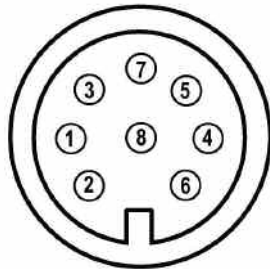
## 24.87...

	DN	
MK/NC	15÷50	ZMS2487004
MK/NO-DA	15÷50	ZMS2487010



**24.63.... / 24.89 (AS-Interface)**

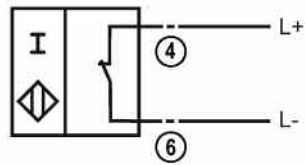
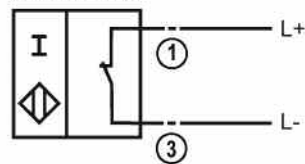
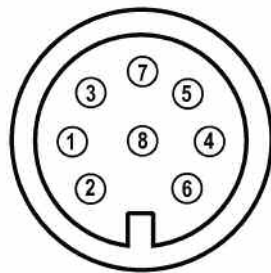
	250 - 10
	10 x 10 <sup>6</sup>
	IP65
	-10° - +50 °



7-8

**24.64.... (NAMUR)**

	NAMUR 2-
	5 – 25 .
	8 .
	IP65
	IP67
	EEx iB IIC T6
	-10° - +50 °

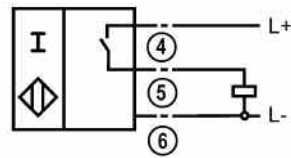
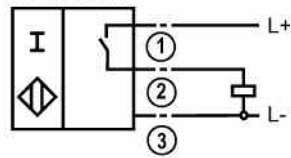
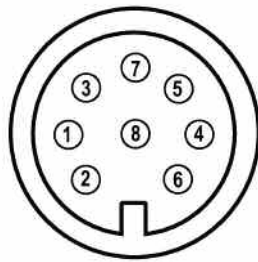


2, 5 –  
7, 8 –



## 24.65....

	PNP 3-
	10 – 30
	IP65
	IP67
	EEx iB IIC T6
	-10° - +50°



7, 8 –

**24.90...**

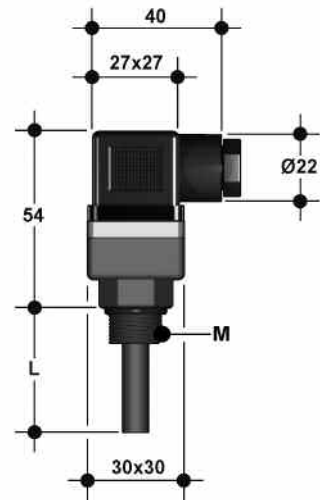
24.90

FIP

360°.

Pg9.

-10° +55°



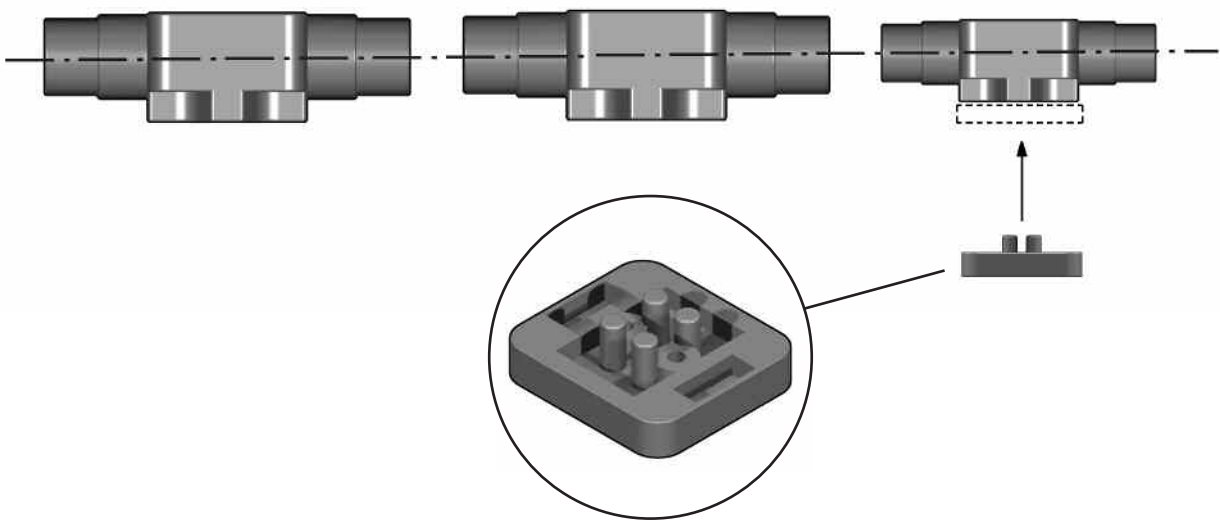
	250 - 5
	IP65
	+55 °

	DN	M	L	
MK/NC	15÷25	16x1	18	ZMS2490028
MK/NC	32÷40	16x1	22	ZMS2490030
MK/NC	50	16x1	28	ZMS2490027

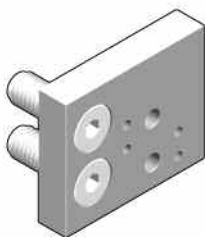
**24.15...**

24.15

Dn 15-20-32.

 Dn 32-40-50.  
4


	<b>DN</b>	
MK	15÷50	ZPL2415001

**24.28...**
**NAMUR**


	<b>DN</b>	
MK/NC-NO-DE	15÷50	ZAD2428001