



VM/NC

ISO-BS-ASTM

VM/NC,

1

(Kv)

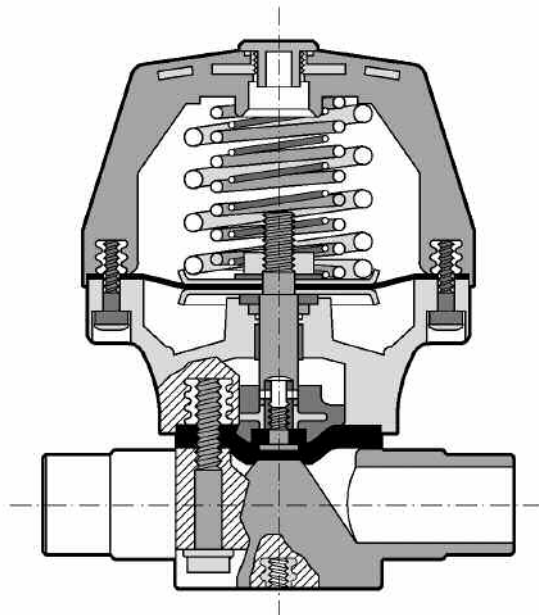
: 3

15 3 50

3/2-

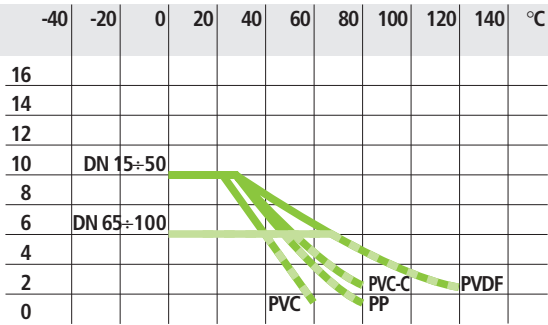
**avrorarm.ru**  
**+7 (495) 956-62-18**



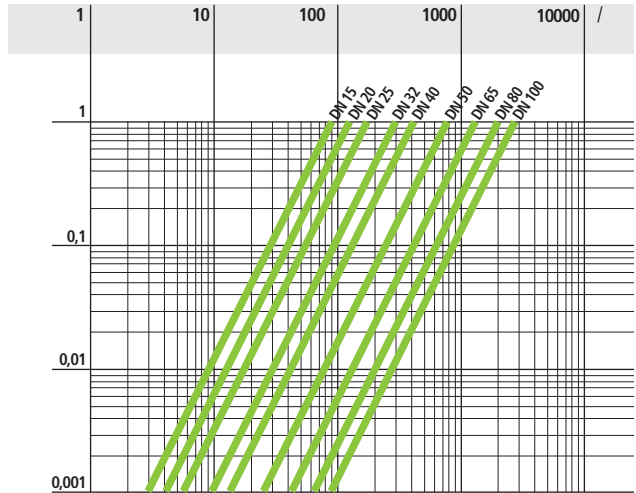


d	( )	( )	
DN	( )	( )	
PN			
	20°		
g			
U			
s	( )		
U-PVC			
PP-H			
PVC-C			
PVDF	( )	( )	
ABS			
EPDM	-	-	
FPM			
PTFE			
PE			
PA			
PPS			
k <sub>v100</sub>	k <sub>v100</sub>		20°
	Äp = 1	/	

1



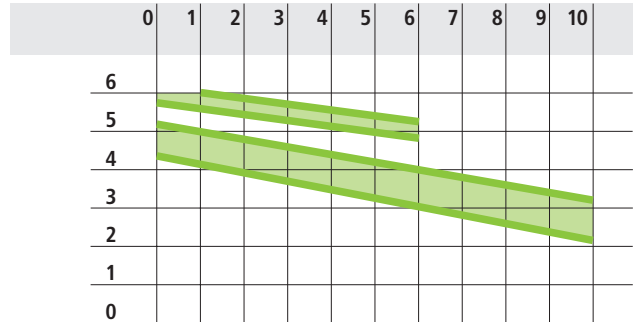
2



3

d	20	25	32	40	50	63	75	90	110
DN	15	20	25	32	40	50	65	80	100
k <sub>v100</sub>	93	136	175	300	416	766	1300	2000	2700

4



	. 10 (DN 15/50)
	. 6 (DN 65/100)
	. 6
	NC
*	. 40°
	DN 15-25= 0,16 NL      DN 32-40 = 0,36 NL
	DN 50= 1,15 NL      DN 65-80 = 2,1 NL
	EPDM-FPM-NBR-PTFE**
	*
	**

1

( . 25 )

2

3

k<sub>v100</sub> ( . )

4

FIP

U-PVC: ISO727, EN 1452, DIN 8063, BS4346/1, ASTM 2467/76a.  
 ISO161/1, EN 1452, DIN 8062, NF T54-016, BS3506, BS3505, ASTM

1785/76.

PVC-C: ISO727, EN ISO 15493, ASTM F439.  
 EN ISO 15493, DIN 8079/8080, ASTM D 1785/76.

PP-H: DIN 16962  
 : ISO 3609, DIN 8077, UNI 8318, BS 4991.

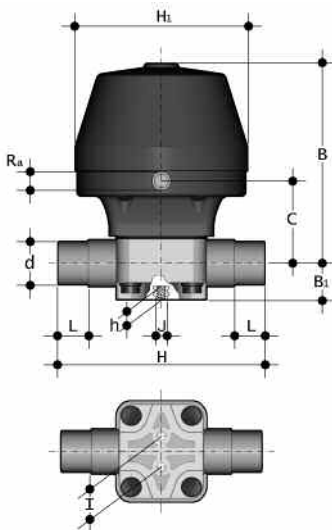
PVDF: ISO DIS 10931  
 : ISO DIS 10931/2

: UNI-ISO 228/1, DIN 2999, BS21.  
 : ISO 2084, EN 1452, DIN 8063, ASA ANSI B.16.5 150.

**VMDV/NC VMDM/NC VMDC/NC VMDF/NC**

ISO

U-PVC, PP-H, PVC-C, PVDF

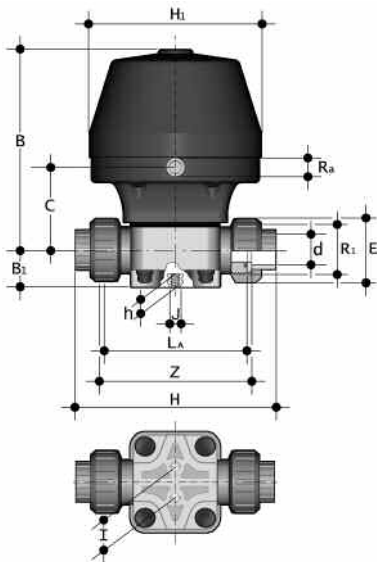


d	DN	PN	B	B <sub>1</sub>	C	H	h	H <sub>1</sub>	I	J	L	Ra	g
20	15	10	175	26	66	124	12	126	25	M6	16	1/4"	1850
25	20	10	175	26	66	144	12	126	25	M6	19	1/4"	1850
32	25	10	175	26	66	154	12	126	25	M6	22	1/4"	1850
40	32	10	244	40	103	174	18	155	44,5	M8	26	1/4"	4000
50	40	10	244	40	103	194	18	155	44,5	M8	31	1/4"	4000
63	50	10	292	40	125	224	18	210	44,5	M8	38	1/4"	6950
75	65	6	325	55	187	284	23	258	100	M12	44	1/4"	15000
90	80	6	325	55	187	300	23	258	100	M12	51	1/4"	15500
110	100	6	355	69	268	340	23	258	120	M12	61	1/4"	25500

**VMUIV/NC VMUIM/NC VMUIC/NC VMUIF/NC**

ISO

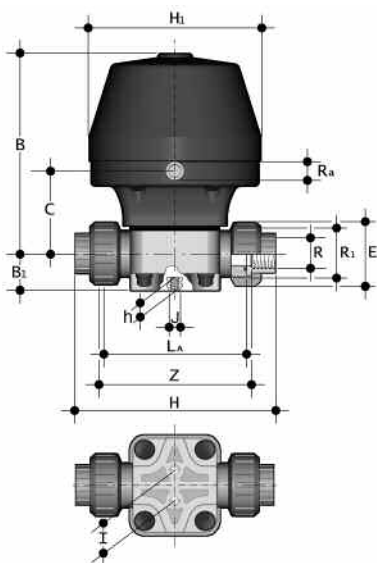
U-PVC, PP-H, PVC-C, PVDF



d	DN	PN	B	C	B <sub>1</sub>	H	h	H <sub>1</sub>	I	La	J	Z	E	R <sub>1</sub>	Ra	g
20	15	10	175	66	26	147	12	126	25	108	M6	115	41	1"	1/4"	1980
25	20	10	175	66	26	154	12	126	25	108	M6	116	50	1 1/4"	1/4"	1980
32	25	10	175	66	26	168	12	126	25	116	M6	124	58	1 1/2"	1/4"	1980
40	32	10	244	103	40	192	16	155	44,5	134	M8	140	72	2"	1/4"	4200
50	40	10	244	103	40	222	16	155	44,5	154	M8	160	79	2 1/4"	1/4"	4200
63	50	10	292	125	40	266	16	210	44,5	184	M8	190	98	2 3/4"	1/4"	7350

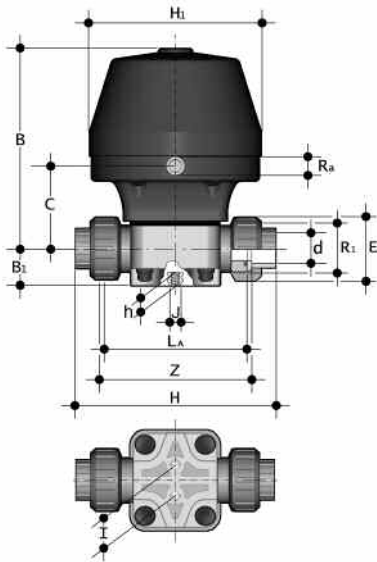
**VMUFV/NC**

U-PVC



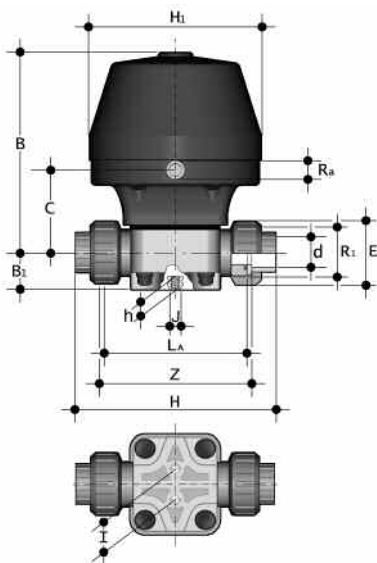
R	DN	PN	B	C	B <sub>1</sub>	H	h	H <sub>1</sub>	I	La	J	Z	E	R <sub>1</sub>	Ra	g
1/2"	15	10	175	66	26	147	12	126	25	108	M6	118	41	1"	1/4"	1980
3/4"	20	10	175	66	26	154	12	126	25	108	M6	118	50	1 1/4"	1/4"	1980
1"	25	10	175	66	26	168	12	126	25	116	M6	127	58	1 1/2"	1/4"	1980
1 1/4"	32	10	244	103	40	192	16	155	44,5	134	M8	145	72	2"	1/4"	4200
1 1/2"	40	10	244	103	40	222	16	155	44,5	154	M8	165	79	2 1/4"	1/4"	4200
2"	50	10	292	125	40	266	16	210	44,5	184	M8	195	98	2 3/4"	1/4"	7350

## VMULV/NC

**BS**
**U-PVC**


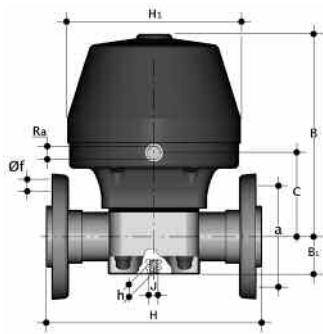
d	DN	PN	B	C	B <sub>1</sub>	H	h	H <sub>1</sub>	I	La	J	Z	E	R <sub>1</sub>	R <sub>a</sub>	g
1/2"	15	10	175	66	26	147	12	126	25	108	M6	114	41	1"	1/4"	1980
3/4"	20	10	175	66	26	154	12	126	25	108	M6	116	50	1 1/4"	1/4"	1980
1"	25	10	175	66	26	168	12	126	25	116	M6	121	58	1 1/2"	1/4"	1980
1 1/4"	32	10	244	103	40	192	16	155	44,5	134	M8	142	72	2"	1/4"	4200
1 1/2"	40	10	244	103	40	222	16	155	44,5	154	M8	162	79	2 1/4"	1/4"	4200
2"	50	10	292	125	40	266	16	210	44,5	184	M8	194	98	2 3/4"	1/4"	7350

## VMUAV/NC VMUAC/NC

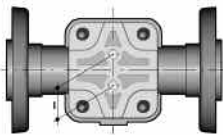
**ASTM,**
**U-PVC, C-PVC**


d	DN	PN	B	C	B <sub>1</sub>	H	h	H <sub>1</sub>	I	La	J	Z	E	R <sub>1</sub>	R <sub>a</sub>	g
1/2"	15	10	175	66	26	160	12	126	25	108	M6	115	41	1"	1/4"	1980
3/4"	20	10	175	66	26	167	12	126	25	108	M6	115	50	1 1/4"	1/4"	1980
1"	25	10	175	66	26	180	12	126	25	116	M6	122	58	1 1/2"	1/4"	1980
1 1/4"	32	10	244	103	40	208	16	155	44,5	134	M8	144	72	2"	1/4"	4200
1 1/2"	40	10	244	103	40	234	16	155	44,5	154	M8	164	79	2 1/4"	1/4"	4200
2"	50	10	292	125	40	272	16	210	44,5	184	M8	195	98	2 3/4"	1/4"	7350

DIN 8063  
U-PVC, PP-H, PVC-C, PVDF

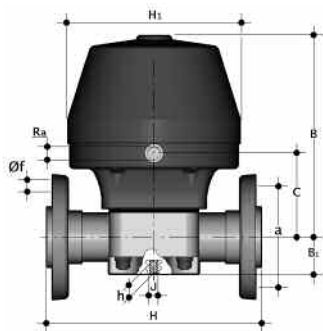


d	DN	PN	B	B <sub>1</sub>	C	H	h	H <sub>1</sub>	Ra	I	J	F	f	U	g
20	15	10	175	26	66	130	12	126	1/4"	25	M6	65	14	4	1990
25	20	10	175	26	66	150	12	126	1/4"	25	M6	75	14	4	2050
32	25	10	175	26	66	160	12	126	1/4"	25	M6	85	14	4	2130
40	32	10	244	40	103	180	18	155	1/4"	44,5	M8	100	18	4	4460
50	40	10	244	40	103	200	18	155	1/4"	44,5	M8	110	18	4	4575
63	50	10	292	40	125	230	18	210	1/4"	44,5	M8	125	18	4	7720
75	65	6	325	55	187	290	23	258	1/4"	100	M12	145	18	4	16100
90	80	6	325	55	187	310	23	258	1/4"	100	M12	160	18	8	17000
110	110	6	355	69	268	350	23	258	1/4"	120	M12	180	18	8	27900

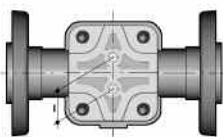


U-PVC,

DIN 8063  
U-PVC, PP-H, PVC-C, PVDF



size	PN	B	B <sub>1</sub>	C	H	h	H <sub>1</sub>	Ra	I	J	F	f	U	g
1/2"	10	175	26	66	130	12	126	1/4"	25	M6	60,3	15,9	4	1990
3/4"	10	175	26	66	150	12	126	1/4"	25	M6	69,9	15,9	4	2050
1"	10	175	26	66	160	12	126	1/4"	25	M6	79,4	15,9	4	2130
1 1/4"	10	244	40	103	180	18	155	1/4"	44,5	M8	88,9	15,9	4	4460
1 1/2"	10	244	40	103	200	18	155	1/4"	44,5	M8	98,4	15,9	4	4575
2"	10	292	40	125	230	18	210	1/4"	44,5	M8	120,7	19,1	4	7720
2 1/2"	6	325	55	187	290	23	258	1/4"	100	M12	139,7	19,1	4	16100
3"	6	325	55	187	310	23	258	1/4"	100	M12	152,4	19,1	4	17000
4"	6	355	69	268	350	23	258	1/4"	120	M12	190,5	19,1	8	27900



1)

2)

3)

4)

1)

2)

3)

4)

5)

6)

7)

(22)

(3-5)

(15)

(6+31+32)

(24)

(17).

(28),

(27)

(25)

(7-14)

(23)

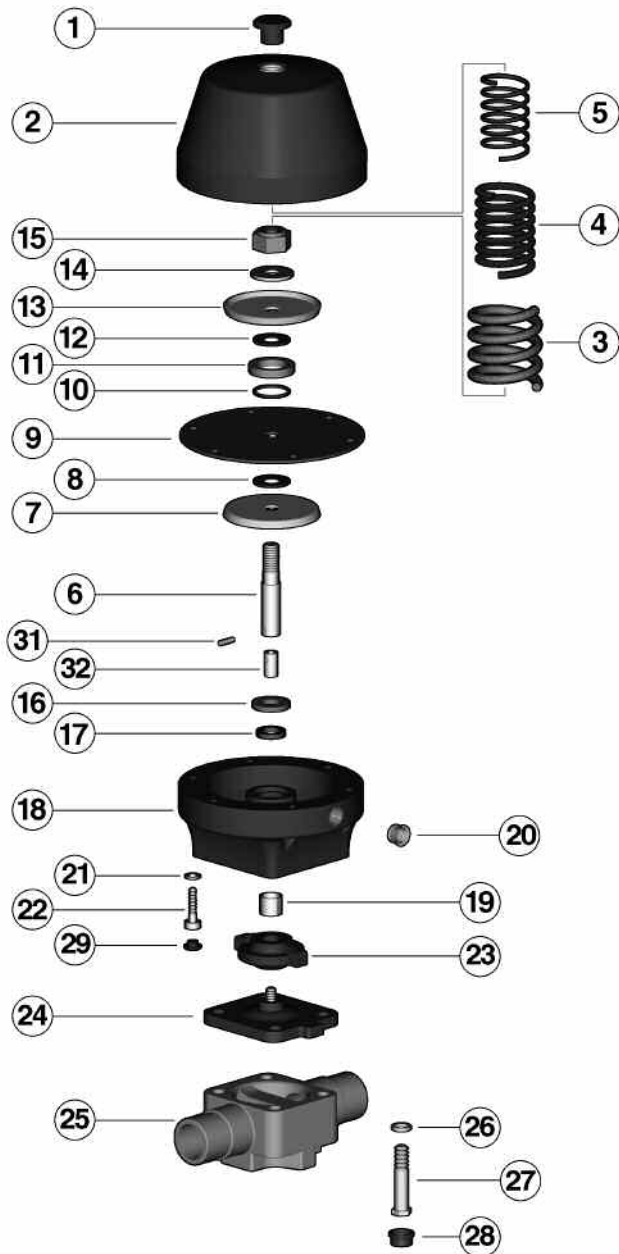
(23)

(24),

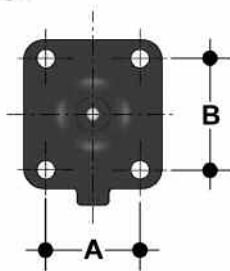




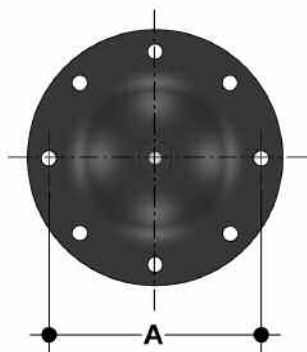
- 1) (6+31+32). (23) (24)
- 2) (17), (18),
- 3) (7-14) (6+31+32) (15).
- 4) (9) (3-5) (13) .3  
(18), (2)
- 5) (24), (22).
- 6) (25) (27).  
(28) (29).



24



DN 15 ÷ 80



DN 100

d	20	25	32	40	50	63	75	90	110
DN	15	20	25	32	40	50	65	80	100
A	46	46	46	65	65	78	114	114	193
B	54	54	54	70	70	82	127	127	-

1			1
2	/	/	1
3		,	1
4		,	1
5		,	1
6	( )	W. 1.4104	1
7			1
8		NBR	1
9		CR	1
10	(DN32-50)	NBR	1
11	(DN32-50)		1
12		NBR	1
13			1
14			1
15			1
16			1
17		NBR	1
18		/	1
19	DU-	/PTFE	1
20		PE	1
21			6
22			6
23		PBTP	1
24		EPDM, FPM, NBR, CSM, PTFE	1
25		PVC, PVC-C, PP, PVDF, ABS	1
26		(*)	4
27		(*)	4
28			6
29			6
31	(#)	W. 1.4104	1
32		W. 1.4104	1

(\*)  
(#)

DN 15 - 50

PVDF

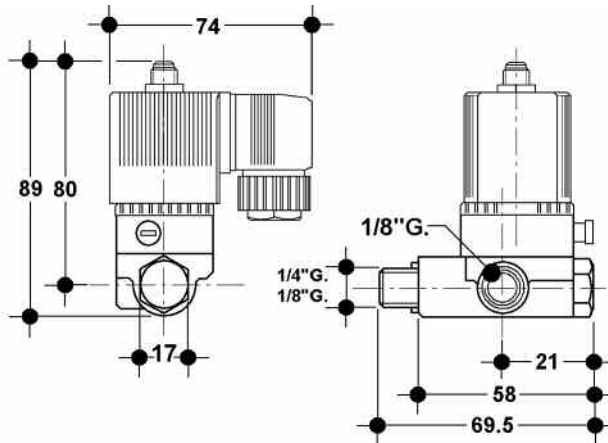
. FIP

. FIP

### SP

3/2

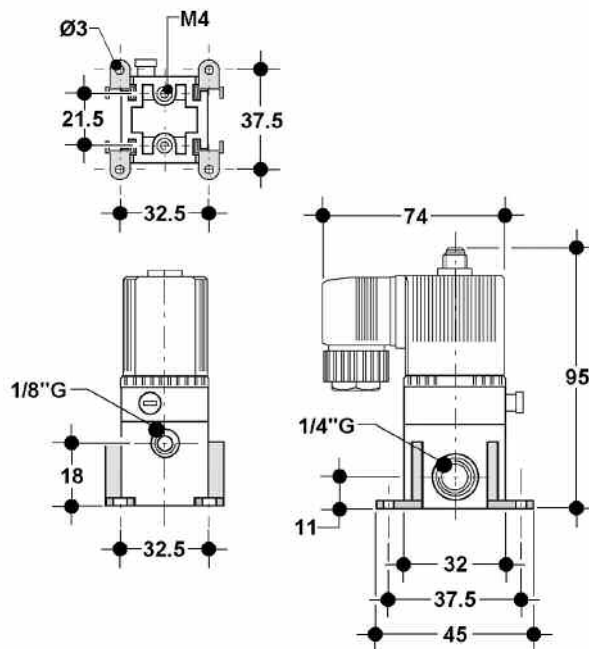
DN 2,5



### SB

3/2

DN 2,5



**SP - SB**

(NC)  
(NO)

2,5

PBTB  
NBR  
0-10  
-10 - +60°  
200 / (6 - P 1)  
230/110/24 ±10%  
40-60  
200/110/100/48/24/12 ±10%  
: 24 ; 17 /8  
: 8  
4 90° Pg9 (6-9 )  
IP65  
100% ( )  
(60% )  
: . 10-15 , . 15-20  
: . 15-20 , . 10-22

290

**24.10...**


	DN	
VM/NC	15÷50	ZIN2410002
VM/NC	65÷100	ZIN2410015

**24.11...**


	DN	
VM/NC	15÷40	ZLP2411002
VM/NC	50	ZLP2411003

**24.12...**


	DN	
VM/NC	15÷25	ZLI2412002
VM/NC	32÷40	ZLI2412001
VM/NC	50	ZLI2412003

### 24.13...



	DN	
VM/NC	15÷25	ZLI2413001
VM/NC	32÷50	ZLI2413002

### 24.16...



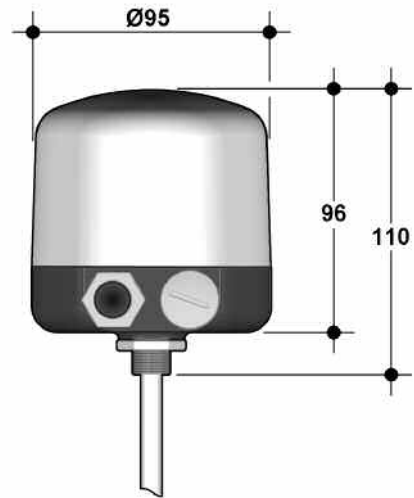
24.85... / 24.86... / 24.87...

24.85 ( ) 24.86, 24.87 ( )

100

Pg13.5,

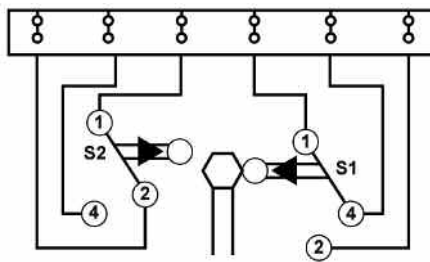
– IP65.



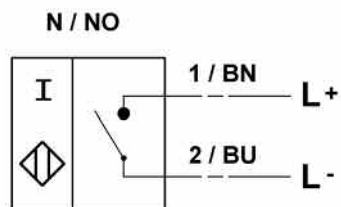


**24.85...**

	250 - 5
	5 x 10 <sup>0</sup>
	IP65
	85 <sup>0</sup>

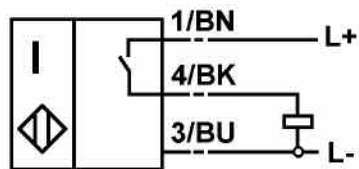

**24.86... (NAMUR)**

	NAMUR 2-
	5 - 25
	8
	IP65
	EEx ia IIC T6



## 24.87... (PNP)

	PNP NO 3-
	10 – 30
	3
	0-100
	15
	IP65



## 24.85...

	DN	
VM/NC	15÷40	ZMS2485001
VM/NC	50÷100	ZMS2485002

## 24.86...

	DN	
VM/NC	15÷40	ZMS2486001
VM/NC	50÷100	ZMS2486002

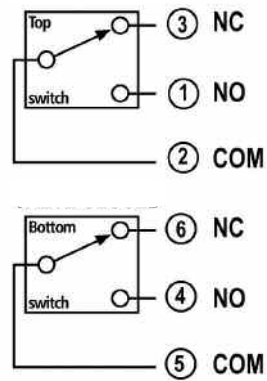
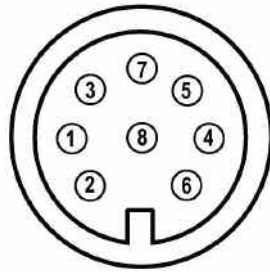
## 24.87...

	DN	
VM/NC	15÷40	ZMS2487001
VM/NC	50÷100	ZMS2487002



## 24.63.... / 24.89 (AS-Interface)

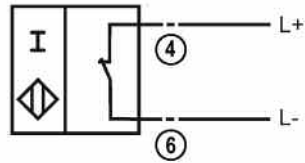
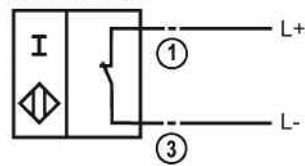
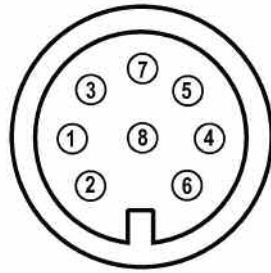
	250 - 10
	10 x 10 <sup>6</sup>
	IP65
	-10° - +50 °



7-8

**24.64.... (NAMUR)**

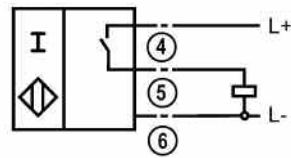
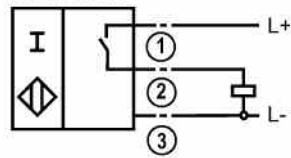
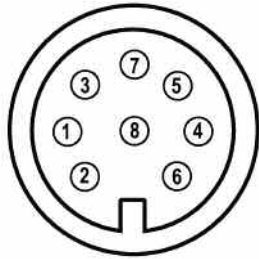
	NAMUR 2-
	5 – 25 .
	8 .
	IP65
	IP67
	EEx iB IIC T6
	-10° - +50 °



2, 5 –  
7, 8 –

## 24.65....

	PNP 3-
	10 – 30
	IP65
	IP67
	EEx iB IIC T6
	-10° - +50°



7, 8 –

**24.90...**

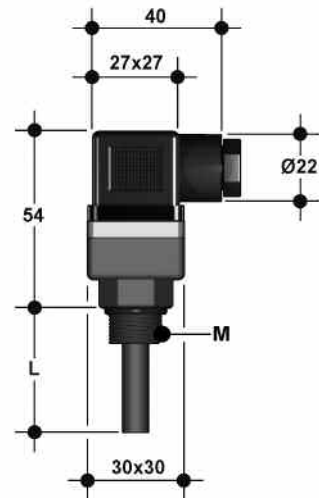
24.90

FIP

360°.

Pg9.

-10° +55°



	250 - 5
	IP65
	+55 °

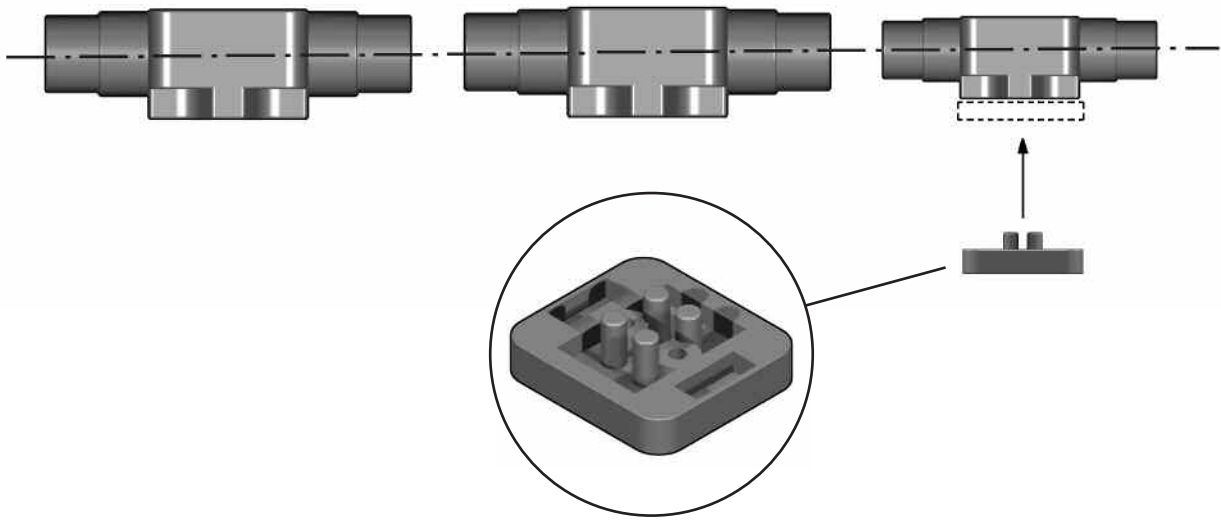
	DN	M	L	
VM/NC	15÷25	16x1	48	ZMS2490002
VM/NC	32-40	16x1	58	ZMS2490003
VM/NC	50	16x1	80	ZMS2490004
VM/NC	65÷100	16x1	55	ZMS2490005



**24.15...**

24.15

Dn 15-20-32.

 Dn 32-40-50.  
4


	<b>DN</b>	
VM	15÷50	ZPL2415001