



FORMATURA
INIEZIONE
POLIMERI

VKD/CP DN 10-50



Dual Block ®

avrorarm.ru
+7 (495) 956-62-18

Dual Block ®

FIP

Dual Block ®,
VKD

- d16 d63 R3/8" R2"
- : ,
- 16 20° ,
- DUAL BLOCK®:
-
- SEAT-STOP,
-
-
- FIP,
- NAMUR.
-

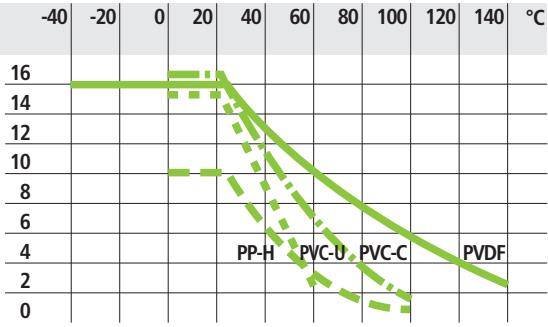
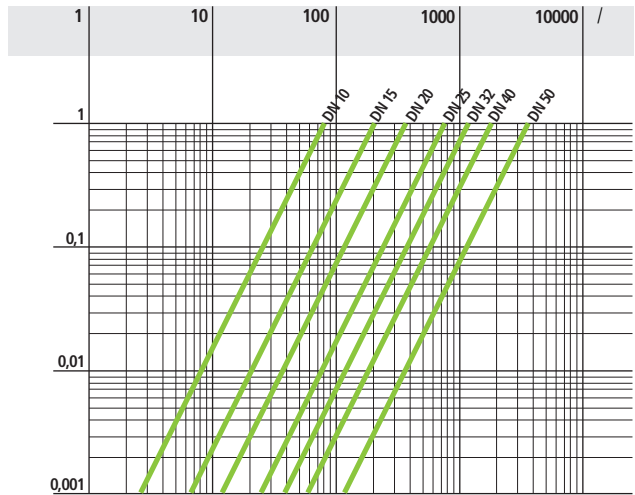
VDI/VDE 3845

FIP

FIP



| | |
|-------|-------|
| d | () |
| DN | () |
| R | |
| PN | |
| | , 20° |
| g | |
| U | |
| s | () |
| SDR | d/s |
| U-PVC | |
| PP-H | |
| PVC-C | |
| PVDF | () |
| EPDM | - - |
| FPM | |
| PTFE | |
| PE | |
| DA | |
| SA | |
| POM | |

1

2

3

| | | | | | | | |
|------------|----|-----|-----|-----|------|------|------|
| d | 16 | 20 | 25 | 32 | 40 | 50 | 63 |
| DN | 10 | 15 | 20 | 25 | 32 | 40 | 50 |
| k_{v100} | 80 | 200 | 385 | 770 | 1100 | 1750 | 3400 |

1

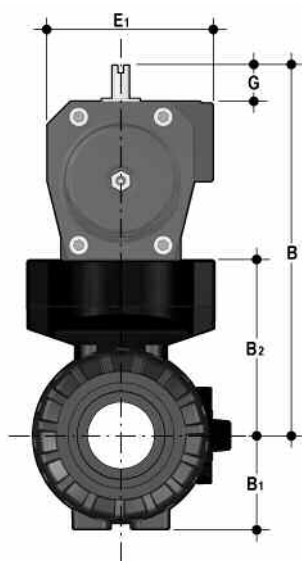
(25)

2
3

$k_{v100} - \Delta p = 1$ / 20°

FIP

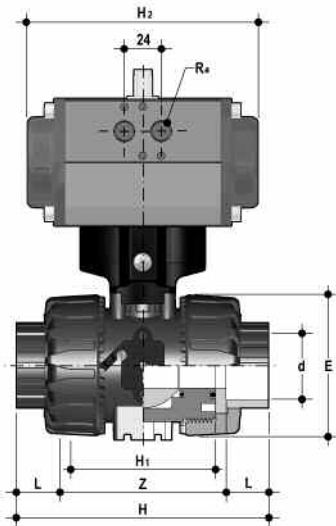
- U-PVC: ISO727, EN 1452, DIN 8063, BS4346/1, ASTM 2467/76a.
ISO161/1, EN 1452, DIN 8062, NF T54-016, BS3506,
BS3505, ASTM 1785/76.
- PVC-C: ISO727, EN ISO 15493, ASTM F439.
EN ISO 15493, DIN 8079/8080, ASTM D 1785/76.
- PP-H: DIN 16962
: ISO 3609, DIN 8077, UNI 8318, BS 4991.
- PVDF: ISO DIS 10931
: ISO DIS 10931/2
: UNI-ISO 228/1, DIN 2999, BS21, ASA ANSI B1.20 1
: ISO 2084, EN 1452, DIN 8063, ASA ANSI B.16.5 150.



| DN | B | B ₁ | B ₂ | E ₁ | G | g PVC | | g PP-H | | g PVC-C | | g PVDF | |
|----|-----|----------------|----------------|----------------|----|-------|------|--------|------|---------|------|--------|------|
| | | | | | | (DA) | (SA) | (DA) | (SA) | (DA) | (SA) | (DA) | (SA) |
| 10 | 135 | 29 | 58 | 60,5 | 20 | 1155 | 1215 | 1090 | 1150 | 1168 | 1228 | 1200 | 1260 |
| 15 | 135 | 29 | 58 | 60,5 | 20 | 1145 | 1205 | 1085 | 1145 | 1162 | 1222 | 1195 | 1255 |
| 20 | 161 | 34,5 | 73,5 | 75 | 20 | 1473 | 1583 | 1361 | 1471 | 1493 | 1603 | 1533 | 1643 |
| 25 | 161 | 39 | 74 | 75 | 20 | 1581 | 1691 | 1441 | 1551 | 1613 | 1723 | 1693 | 1803 |
| 32 | 200 | 46 | 97 | 86 | 20 | 2469 | 2669 | 2256 | 2456 | 2500 | 2700 | 2591 | 2791 |
| 40 | 207 | 52 | 104 | 86 | 20 | 2701 | 2901 | 2458 | 2658 | 2788 | 2988 | 2926 | 3126 |
| 50 | 217 | 62 | 114 | 86 | 20 | 3318 | 3518 | 2907 | 3107 | 3411 | 3611 | 3711 | 3911 |

VKDIV/CP VKDIM/CP VKDIC/CP VKDIF/CP
DUAL BLOCK
ISO

U-PVC, PP-H, PVC-C, PVDF

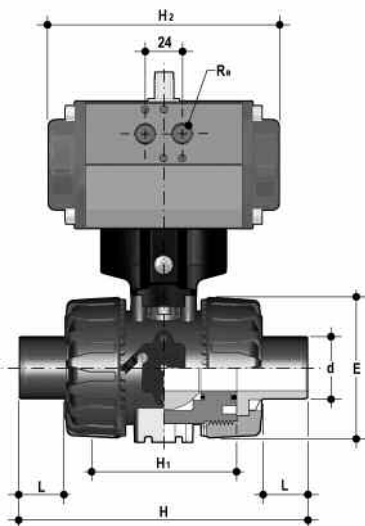


| d | DN | *PN | H | H ₁ | E | H ₂ | Ra | L | | Z | |
|----|----|-----|-----|----------------|-----|----------------|------|--------------|--------------|--------------|--------------|
| | | | | | | | | PVC PVC-C | PP-H PVDF | PVC PVC-C | PP-H PVDF |
| 16 | 10 | 16 | 103 | 65 | 54 | 160 | 1/8" | 14 | 14 | 75 | 74,5 |
| 20 | 15 | 16 | 103 | 65 | 54 | 160 | 1/8" | 16 | 15 | 71 | 73 |
| 25 | 20 | 16 | 115 | 70 | 65 | 138 | 1/8" | 19 | 17 | 77 | 82 |
| 32 | 25 | 16 | 128 | 78 | 73 | 138 | 1/8" | 22 | 19 | 84 | 90 |
| 40 | 32 | 16 | 146 | 88 | 86 | 155,5 | 1/4" | 26 | 23 | 94 | 100 |
| 50 | 40 | 16 | 164 | 93 | 98 | 155,5 | 1/4" | 31 | 24 | 102 | 117 |
| 63 | 50 | 16 | 199 | 111 | 122 | 155,5 | 1/4" | 38 | 28 | 123 | 144 |

*PP-H PN 10 bar

VKDDV/CP VKDDM/CP VKDDC/CP VKDDF/CP
DUAL BLOCK
ISO

U-PVC, PP-H, PVC-C, PVDF



| d | DN | *PN | H | H ₁ | E | H ₂ | Ra | L | |
|----|----|-----|-----|----------------|-----|----------------|------|----------------|--------------|
| | | | | | | | | PVC-U PVC-C | PP-H PVDF |
| 16 | 10 | 16 | 149 | 65 | 54 | 160 | 1/8" | 14 | - |
| 20 | 15 | 16 | 124 | 65 | 54 | 160 | 1/8" | 16 | 16 |
| 25 | 20 | 16 | 144 | 70 | 65 | 138 | 1/8" | 19 | 18 |
| 32 | 25 | 16 | 154 | 78 | 73 | 138 | 1/8" | 22 | 20 |
| 40 | 32 | 16 | 174 | 88 | 86 | 155,5 | 1/4" | 26 | 22 |
| 50 | 40 | 16 | 194 | 93 | 98 | 155,5 | 1/4" | 31 | 25 |
| 63 | 50 | 16 | 224 | 111 | 122 | 155,5 | 1/4" | 38 | 29 |

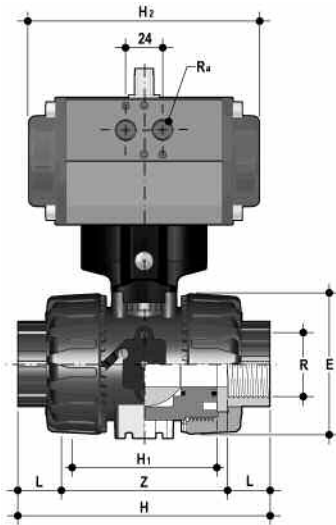
*PP-H PN 10 bar

VKDFV/CP VKDFM/CP

DUAL BLOCK

BS

U-PVC, PP-H



| R | DN | *PN | H | H ₁ | E | H ₂ | Ra | L | Z |
|--------|----|-----|-----|----------------|-----|----------------|------|------|-------|
| 3/8" | 10 | 16 | 103 | 65 | 54 | 160 | 1/8" | 11,4 | 80,2 |
| 1/2" | 15 | 16 | 110 | 65 | 54 | 160 | 1/8" | 15 | 80 |
| 3/4" | 20 | 16 | 116 | 70 | 65 | 138 | 1/8" | 16,3 | 83,4 |
| 1" | 25 | 16 | 134 | 78 | 73 | 138 | 1/8" | 19,1 | 95,8 |
| 1 1/4" | 32 | 16 | 153 | 88 | 86 | 155,5 | 1/4" | 21,4 | 110,2 |
| 1 1/2" | 40 | 16 | 156 | 93 | 98 | 155,5 | 1/4" | 21,4 | 113,2 |
| 2" | 50 | 16 | 186 | 111 | 122 | 155,5 | 1/4" | 25,7 | 134,6 |

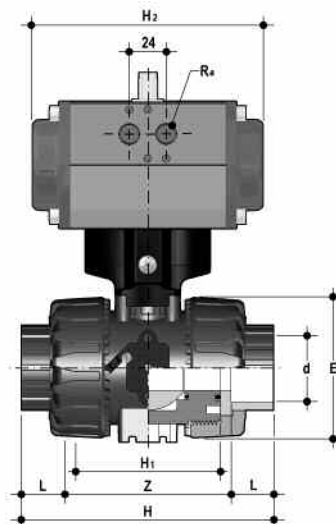
*PP-H PN 10 bar

VKDLV/CP

DUAL BLOCK

BS

U-PVC



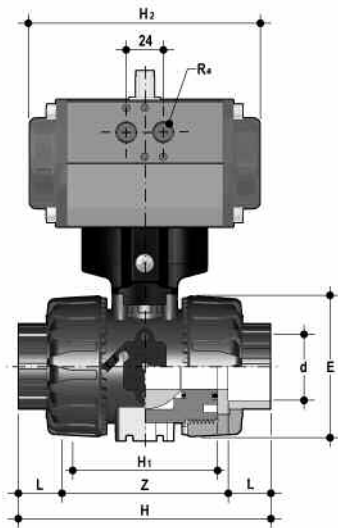
| d | DN | PN | H | H ₁ | E | H ₂ | Ra | L | Z |
|--------|----|----|-----|----------------|-----|----------------|------|------|-----|
| 3/8" | 10 | 16 | 103 | 65 | 54 | 160 | 1/8" | 14,5 | 74 |
| 1/2" | 15 | 16 | 103 | 65 | 54 | 160 | 1/8" | 16,5 | 70 |
| 3/4" | 20 | 16 | 115 | 70 | 65 | 138 | 1/8" | 19 | 77 |
| 1" | 25 | 16 | 128 | 78 | 73 | 138 | 1/8" | 22,5 | 83 |
| 1 1/4" | 32 | 16 | 146 | 88 | 86 | 155,5 | 1/4" | 26 | 94 |
| 1 1/2" | 40 | 16 | 164 | 93 | 98 | 155,5 | 1/4" | 30 | 104 |
| 2" | 50 | 16 | 199 | 111 | 122 | 155,5 | 1/4" | 36 | 127 |

VKDAV/CP VKDAC/CP

DUAL BLOCK

ASTM

U-PVC, PVC-C



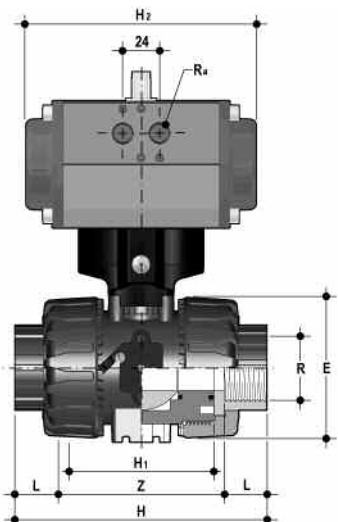
| d | DN | PN | H | H ₁ | E | H ₂ | Ra | L | Z |
|--------|----|----|-----|----------------|-----|----------------|------|------|-------|
| 3/8" | 10 | 16 | 117 | 65 | 54 | 160 | 1/8" | 19,5 | 78 |
| 1/2" | 15 | 16 | 117 | 65 | 54 | 160 | 1/8" | 22,5 | 72 |
| 3/4" | 20 | 16 | 129 | 70 | 65 | 138 | 1/8" | 25,5 | 78 |
| 1" | 25 | 16 | 142 | 78 | 73 | 138 | 1/8" | 28,7 | 84,6 |
| 1 1/4" | 32 | 16 | 162 | 88 | 86 | 155,5 | 1/4" | 32 | 98 |
| 1 1/2" | 40 | 16 | 172 | 93 | 98 | 155,5 | 1/4" | 35 | 102 |
| 2" | 50 | 16 | 199 | 111 | 122 | 155,5 | 1/4" | 38,2 | 122,6 |

VKDFV/CP NPT VKDFC/CP NPT

DUAL BLOCK

NPT

U-PVC, PP-H



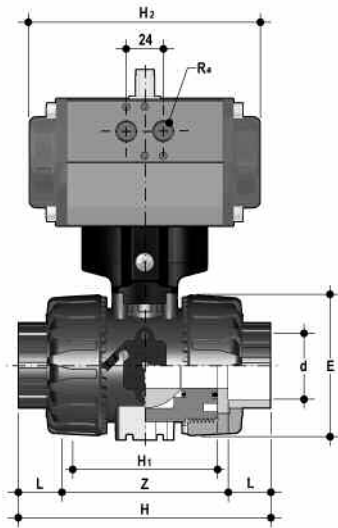
| R | DN | PN | H | H ₁ | E | H ₂ | Ra | L | Z |
|--------|----|----|-----|----------------|-----|----------------|------|------|-------|
| 3/8" | 10 | 16 | 103 | 65 | 54 | 160 | 1/8" | 13,7 | 75,6 |
| 1/2" | 15 | 16 | 111 | 65 | 54 | 160 | 1/8" | 17,8 | 75,4 |
| 3/4" | 20 | 16 | 117 | 70 | 65 | 138 | 1/8" | 18 | 81 |
| 1" | 25 | 16 | 135 | 78 | 73 | 138 | 1/8" | 22,6 | 88,8 |
| 1 1/4" | 32 | 16 | 153 | 88 | 86 | 155,5 | 1/4" | 25,1 | 102,8 |
| 1 1/2" | 40 | 16 | 156 | 93 | 98 | 155,5 | 1/4" | 24,7 | 106,6 |
| 2" | 50 | 16 | 186 | 111 | 122 | 155,5 | 1/4" | 29,6 | 126,8 |

VKDJV/CP

DUAL BLOCK

JIS

U-PVC



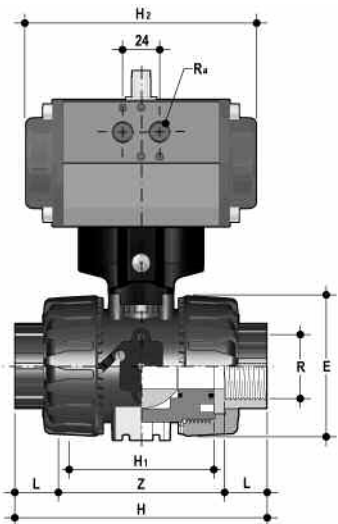
| d | DN | PN | H | H ₁ | E | H ₂ | Ra | L | Z |
|--------|----|----|-----|----------------|-----|----------------|------|----|-----|
| 1/2" | 15 | 16 | 131 | 65 | 54 | 160 | 1/8" | 30 | 71 |
| 3/4" | 20 | 16 | 147 | 70 | 65 | 138 | 1/8" | 35 | 77 |
| 1" | 25 | 16 | 164 | 78 | 73 | 138 | 1/8" | 40 | 84 |
| 1 1/4" | 32 | 16 | 182 | 88 | 86 | 155,5 | 1/4" | 44 | 94 |
| 1 1/2" | 40 | 16 | 212 | 93 | 98 | 155,5 | 1/4" | 55 | 102 |
| 2" | 50 | 16 | 248 | 111 | 122 | 155,5 | 1/4" | 63 | 122 |

VKDG/CP

DUAL BLOCK

JIS

U-PVC



| R | DN | PN | H | H ₁ | E | H ₂ | Ra | L | Z |
|--------|----|----|-----|----------------|-----|----------------|------|----|-----|
| 1/2" | 15 | 16 | 103 | 65 | 54 | 160 | 1/8" | 16 | 71 |
| 3/4" | 20 | 16 | 115 | 70 | 65 | 138 | 1/8" | 19 | 77 |
| 1" | 25 | 16 | 128 | 78 | 73 | 138 | 1/8" | 22 | 84 |
| 1 1/4" | 32 | 16 | 146 | 88 | 86 | 155,5 | 1/4" | 25 | 96 |
| 1 1/2" | 40 | 16 | 164 | 93 | 98 | 155,5 | 1/4" | 26 | 112 |
| 2" | 50 | 16 | 199 | 111 | 122 | 155,5 | 1/4" | 31 | 137 |

VKDOV/CP VKDOM/CP VKDOC/CP VKDOF/CP

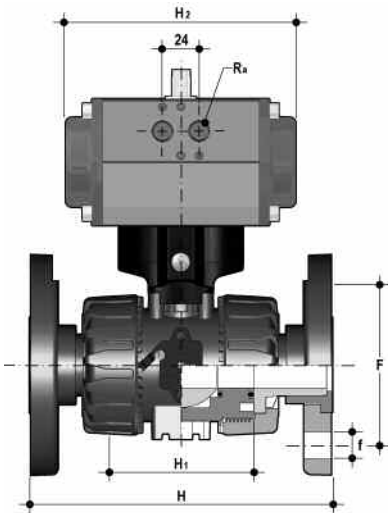
ISO-DIN

DUAL BLOCK

DIN8063, DIN2501

EN 558-1

U-PVC, PP-H, PVC-C, PVDF



| d | DN | *PN | H | H ₁ | H ₂ | Ra | F | f | U |
|----|----|-----|-----|----------------|----------------|------|-----|----|---|
| 20 | 15 | 16 | 130 | 65 | 160 | 1/8" | 65 | 14 | 4 |
| 25 | 20 | 16 | 150 | 70 | 138 | 1/8" | 75 | 14 | 4 |
| 32 | 25 | 16 | 160 | 78 | 138 | 1/8" | 85 | 14 | 4 |
| 40 | 32 | 16 | 180 | 88 | 155,5 | 1/4" | 100 | 18 | 4 |
| 50 | 40 | 16 | 200 | 93 | 155,5 | 1/4" | 110 | 18 | 4 |
| 63 | 50 | 16 | 230 | 111 | 155,5 | 1/4" | 125 | 18 | 4 |

*PP-H PN 10 bar

VKDOV/CP VKDOM/CP VKDOC/CP VKDOF/CP

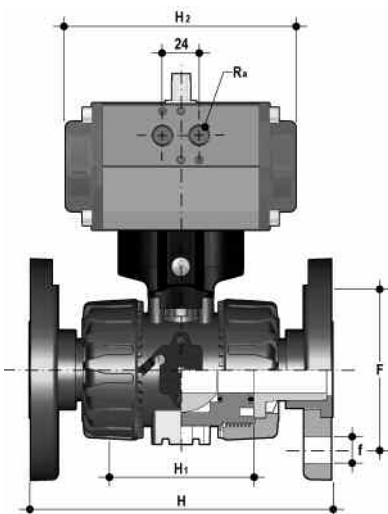
ANSI

DUAL BLOCK

ANSI 150 #RF

EN 558-1

U-PVC, PP-H, PVC-C, PVDF



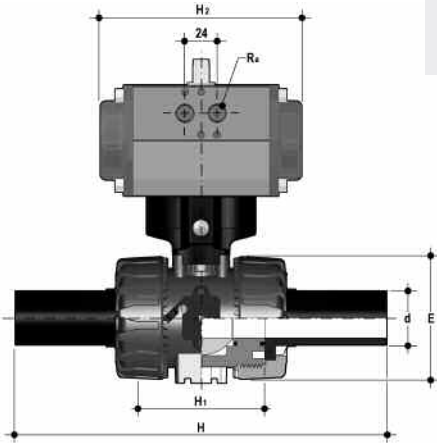
| d | DN | *PN | H | H ₁ | H ₂ | Ra | F | f | U |
|--------|----|-----|---|----------------|----------------|------|-------|------|---|
| 1/2" | 15 | 16 | - | 65 | 160 | 1/8" | 60,3 | 15,9 | 4 |
| 3/4" | 20 | 16 | - | 70 | 138 | 1/8" | 69,9 | 15,9 | 4 |
| 1" | 25 | 16 | - | 78 | 138 | 1/8" | 79,4 | 15,9 | 4 |
| 1 1/4" | 32 | 16 | - | 88 | 155,5 | 1/4" | 88,9 | 15,9 | 4 |
| 1 1/2" | 40 | 16 | - | 93 | 155,5 | 1/4" | 98,4 | 15,9 | 4 |
| 2" | 50 | 16 | - | 111 | 155,5 | 1/4" | 120,7 | 19,1 | 4 |

*PP-H PN 10 bar

CVDE-CVDM

PE – PPH

SDR 11 PN 16



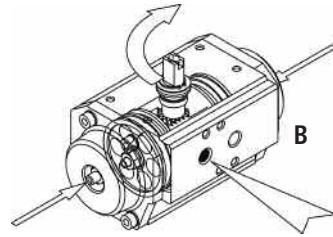
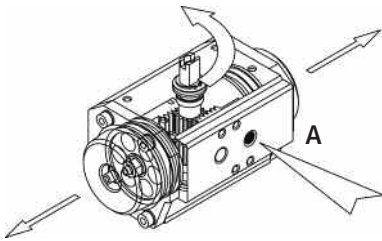
| d | DN | PN | H | H ₁ | E | H ₂ | Ra |
|----|----|----|-----|----------------|-----|----------------|------|
| 20 | 15 | 16 | 175 | 65 | 54 | 160 | 1/8" |
| 25 | 20 | 16 | 210 | 70 | 65 | 138 | 1/8" |
| 32 | 25 | 16 | 224 | 78 | 73 | 138 | 1/8" |
| 40 | 32 | 16 | 243 | 88 | 86 | 155,5 | 1/4" |
| 50 | 40 | 16 | 261 | 93 | 98 | 155,5 | 1/4" |
| 63 | 50 | 16 | 293 | 111 | 122 | 155,5 | 1/4" |

: 5

: ()

DA -

« »
« »

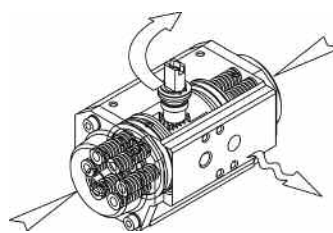
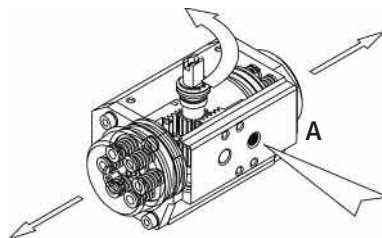


SA -

(NC -

, NO -

« »



| d | 20 | 25 | 32 | 40 | 50 | 63 |
|----|--------|--------|--------|--------|--------|--------|
| DN | 15 | 20 | 25 | 32 | 40 | 50 |
| DA | 0,18NL | 0,23NL | 0,23NL | 0,45NL | 0,45NL | 0,45NL |
| SA | 0,18NL | 0,23NL | 0,23NL | 0,45NL | 0,45NL | 0,45NL |

3MS

(.1)

: 250 - 16
: IP65

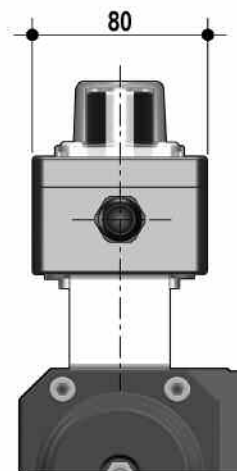
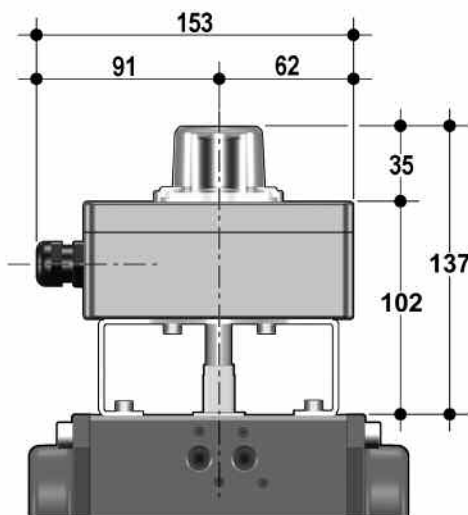
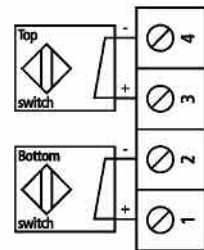
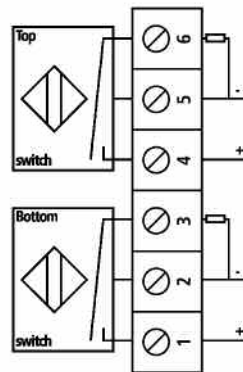
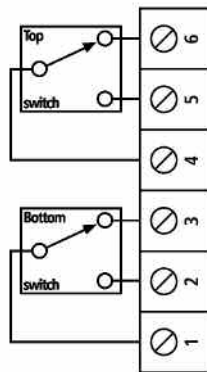
: -20° - +70°
: 20 1,5

- : PNP (3) (.2)
: 10-30

: IP65
: IP67
: -20° - +80°
: 20 1,5

- : NAMUR (.3)
: 8

: 1-3
: IP65
: IP67
: -20° - +100°
: 20 1,5

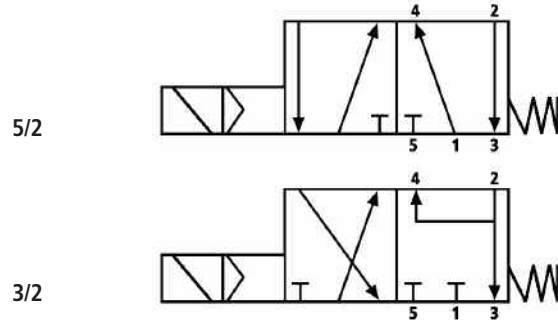


2EV

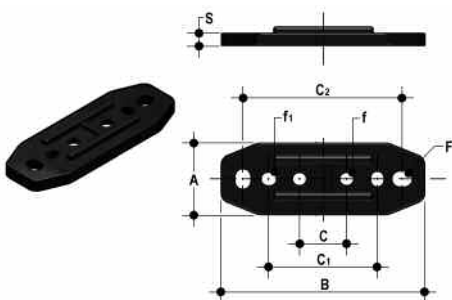
() 3-5/2

:
 24, 48, 110, 230
 12, 24
 : IP65

: G 1/4"


3PG

3-15 psi 4-20
 : IP65
 : -10° - +50°
 : 400 / : G 1/4"


PMKD


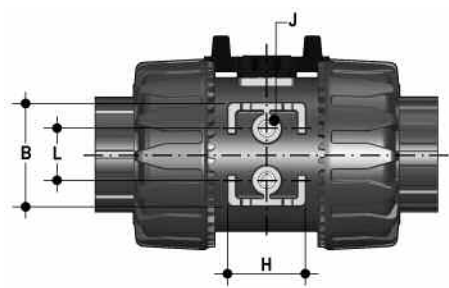
| d | DN | A | B | C | C ₁ | C ₂ | F | f | f ₁ | S |
|----|----|----|-----|----|----------------|----------------|-----|-----|----------------|---|
| 16 | 10 | 30 | 86 | 20 | 46 | 67,5 | 6,5 | 5,3 | 5,5 | 5 |
| 20 | 15 | 30 | 86 | 20 | 46 | 67,5 | 6,5 | 5,3 | 5,5 | 5 |
| 25 | 20 | 30 | 86 | 20 | 46 | 67,5 | 6,5 | 5,3 | 5,5 | 5 |
| 32 | 25 | 30 | 86 | 20 | 46 | 67,5 | 6,5 | 5,3 | 5,5 | 5 |
| 40 | 32 | 40 | 122 | 30 | 72 | 102 | 6,5 | 6,3 | 6,5 | 6 |
| 50 | 40 | 40 | 122 | 30 | 72 | 102 | 6,5 | 6,3 | 6,5 | 6 |
| 63 | 50 | 40 | 122 | 30 | 72 | 102 | 6,5 | 6,3 | 6,5 | 6 |

VKD

« »

PKMD.

ZIKM (. 1)



| d | DN | B | H | L | *J |
|----|----|------|----|----|---------|
| 16 | 10 | 31,5 | 27 | 20 | M4 x 6 |
| 20 | 15 | 31,5 | 27 | 20 | M4 x 6 |
| 25 | 20 | 40 | 30 | 20 | M4 x 6 |
| 32 | 25 | 40 | 30 | 20 | M4 x 6 |
| 40 | 32 | 50 | 35 | 30 | M6 x 10 |
| 50 | 40 | 50 | 35 | 30 | M6 x 10 |
| 63 | 50 | 60 | 40 | 30 | M6 x 10 |

*



Fig. 1

1. ,
2. (13)
3. ()
4. , . 2. DUAL BLOCK® (12) DUAL BLOCK®

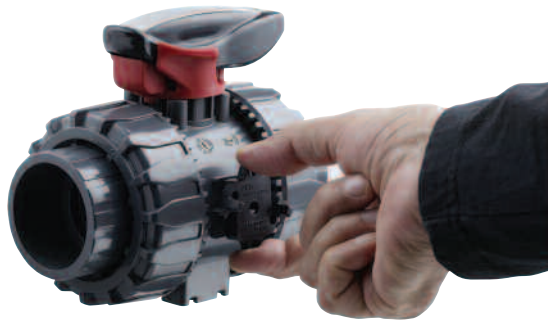


Fig. 2

5. (.
 - 3).
 6. (. « »)
- 2 2 NaClO.



Fig. 3

- 1.
2. DUAL BLOCK®
- (16) (.5). . . 5 « ».
3. (13)
- 4.
- 45°
5. (2)
- (11) (.6).
6. (11) (22) (6) (17)
7. (24)
8. (19) (4)
9. (4),
10. (3,8,9,10) PTFE (5)

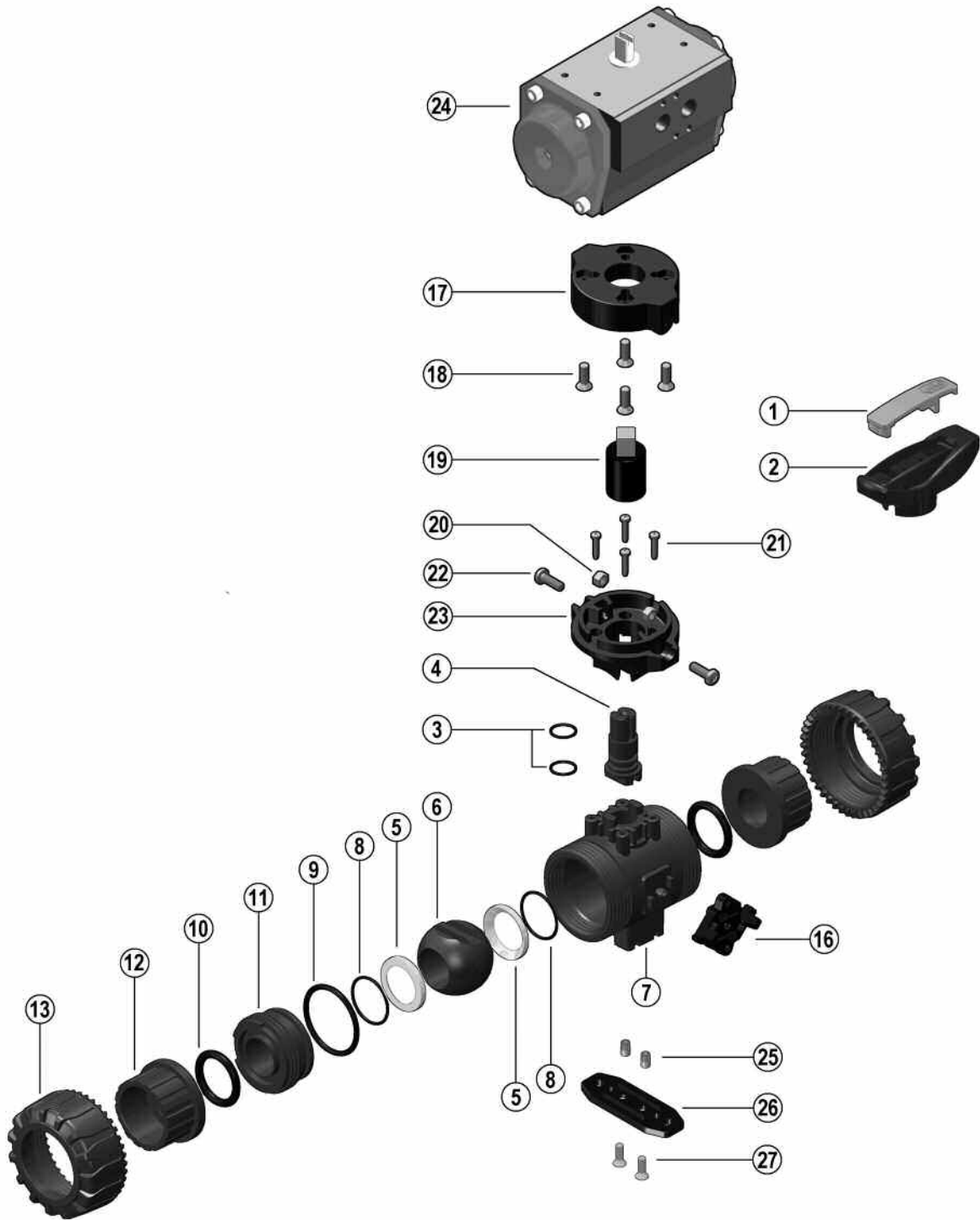


Fig. 5

- 1. (3,8,9,10)
- 2. (4) (7)
- 3. PTFE (5) (7)
- 4. (11). (6)
- 5. (1), (11) (5).
- 6. (21) (20)
- 7. (4) (19).
- 8. (17) (24), (24+17)
- 9. (23) (22).
- 10. (12) (13)



Fig. 6



DN 10÷50

| | | | |
|----|------------|----------------------|---|
| 1 | | U-PVC | 1 |
| 2 | | U-PVC | 1 |
| 3 | | EPDM FPM | 1 |
| 4 | | U-PVC /PP/C-PVC/PVDF | 1 |
| 5 | | PTFE | 2 |
| 6 | | U-PVC /PP/C-PVC/PVDF | 1 |
| 7 | | U-PVC /PP/C-PVC/PVDF | 1 |
| 8 | | EPDM FPM | 2 |
| 9 | | EPDM FPM | 1 |
| 10 | | EPDM FPM | 2 |
| 11 | | U-PVC /PP/C-PVC/PVDF | 1 |
| 12 | | U-PVC /PP/C-PVC/PVDF | 2 |
| 13 | | U-PVC /PP/C-PVC/PVDF | 2 |
| 16 | DUAL BLOCK | POM | 1 |
| 17 | | PP-GR | 1 |
| 18 | | | 4 |
| 19 | | PP-GR/ | 1 |
| 20 | | | 2 |
| 21 | | | 4 |
| 22 | | | 2 |
| 23 | | PP-GR | 1 |
| 24 | | | 1 |
| 25 | | | 2 |
| 26 | | PP-GR | 1 |
| 27 | | | 2 |