

---

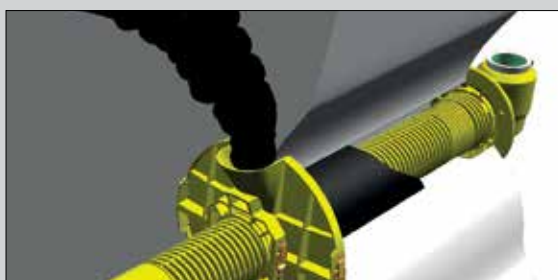
**SCHUCK GAS HOUSE LEAD-INS HSP / HS**

Gas house lead-in for buildings with and without basements.



## SCHUCK GAS HOUSE LEAD-IN HSP

Gas house lead-in for buildings with and without basements,  
DN25 to DN50, PN5.



### APPLICATIONS

Schuck HSP gas house lead-ins are the perfect solution for routing gas pipelines through walls. Thanks to the fully coordinated system, they can be installed quickly and safely in houses or apartments in conformity with the relevant standards.



### MANUFACTURING AND TESTING

Rigid version for buildings with basements

Flexible version inside a protective conduit for buildings without basements

Ball valve with or without integrated insulation section joint according to DIN 3389

Standard black (KN)/yellow (SH) lever or self-closing, thermally activated (FI, red) lever

For wet and dry installation



### PRODUCT FEATURES

- » Low-pressure tight GT SK-GTN ball valve
- » Quick, easy and safe installation
- » Round thread casing for easy mounting of accessories
- » Minimal tool overhead
- » Highly cost-effective
- » Increased fire safety thanks to self-closing Fire Safe lever (FI)
- » Suitable for dry and wet installation
- » For all multiple service ducts
- » Maximum durability and operational reliability
- » The PE weld-on end is long enough for at least two weldings
- » Tried and tested throughout Europe a hundred thousand times over



### DESIGN

Injection-molded round thread casing made from PE  
 High-quality corrosion protection thanks to PE-sheathed or coated ball valve  
 DVGW-tested and approved  
 Factory test according to DIN 3230 Part 5, Test Group 3

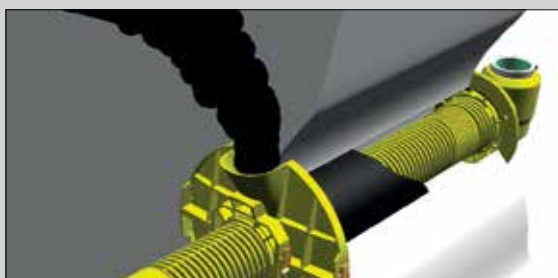
### STANDARD MATERIALS

Inlet side with PE100 weld-on end SDR11  
 Yellow PEHD casing  
 Outlet side with internal thread, threaded flexible connection, flange or loose flange  
 All visible metal parts are zinc-coated.  
 Plastic or aluminum switching handle

---

## SCHUCK GAS HOUSE LEAD-IN HS

Gas house lead-in for buildings with and without basements,  
DN80 to DN200\*, PN5.



### APPLICATIONS

Schuck HS gas house lead-ins are the perfect solution for routing large gas pipelines through walls. The pre-assembled units ensure safe and easy installation in conformity with the relevant standards.

\* DN200 flexible version available on request

### MANUFACTURING AND TESTING

Fully welded assembly plate to prevent tearing out and twisting

Roughened protective conduit for optimum connection in the case of wet installation

Dry installation system provides a direct seal between the pipe carrying the medium and the core hole

Steel-PE transition before pipe reaches building



## PRODUCT FEATURES

- » Ready-to-install unit
- » Easy and safe installation
- » Suitable for both wet and dry installation
- » Pressure-tight connection between supply line and building
- » Protected against tearing out and twisting
- » Highly cost-effective
- » Dry sealing element can be tightened through the assembly plate



## DESIGN

Rigid version for buildings with basements

Flexible version for buildings without basements

Straight outlet or outlet with 90° bend and with flange according to DIN 2633

Ball valve with or without integrated insulation section joint according to DIN 3389

For wet and dry installation

## STANDARD MATERIALS

Inlet side: weld-on end made from PE100 SDR11 or steel connection made from S235 TR2

Roughened wall pipe available for wet installation to ensure optimum connection during grouting

For dry installation: available with a sealing element directly behind the assembly plate (can be tightened through the assembly plate) and a sealing element that can be flexibly adjusted to suit the wall thickness

Aluminum lever



# SCHUCK GAS HOUSE LEAD-INS

## HSP, HSP-PEFLEX, HSP-FLEX, HS, HS-TE, HS-FLEX

### Type overview



#### HSP

Rigid version  
Straight way or angle ball valve  
Various outlets  
Nominal diameter: DN25 – DN50  
Standard: without insulation section joint



#### HSP-PEFLEX

Flexible version  
Flexible section made from PE100  
Various outlets  
Nominal diameter: DN25 – DN50  
Standard: without insulation section joint



#### HSP-FLEX

Highly flexible version  
Flexible section made from stainless steel  
Various outlets Nominal diameter:  
DN25 – DN50  
Standard: without insulation section joint



#### SPECIAL VERSIONS

Custom solutions for special installation scenarios in buildings with and without basements.  
For example: slanting installation through the wall or a floor panel.  
Please contact us directly for details of our special versions.



### HS

Rigid version for wet installation

Inlet side: steel or PE connection

Outlet side: straight or with 90° bend and with flange

Nominal diameter: DN80 – DN200

Ball valve with integrated insulation section joint



### HS-TE

Rigid version for dry installation

Inlet side: steel or PE connection

Outlet side: straight or with 90° bend and with flange

Nominal diameter: DN80 – DN200

Ball valve with integrated insulation section joint



### HSFLEX

Flexible version for wet installation

Flexible section made from stainless steel

Outlet side: flange

Nominal diameter: DN80 – DN150

Ball valve with integrated insulation section joint



# SCHUCK GAS HOUSE LEAD-INS HSP

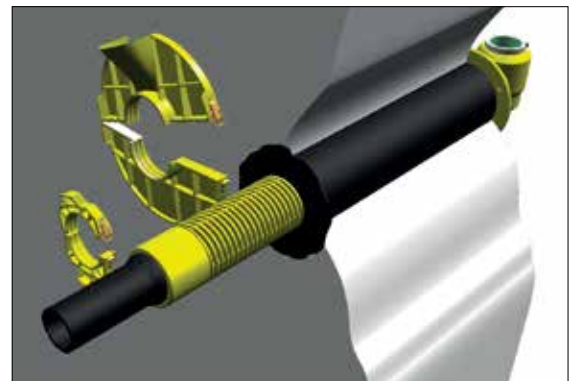
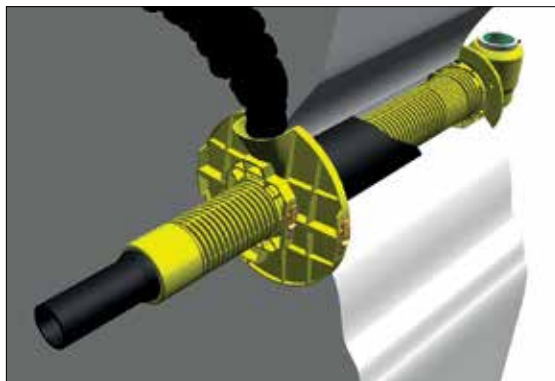
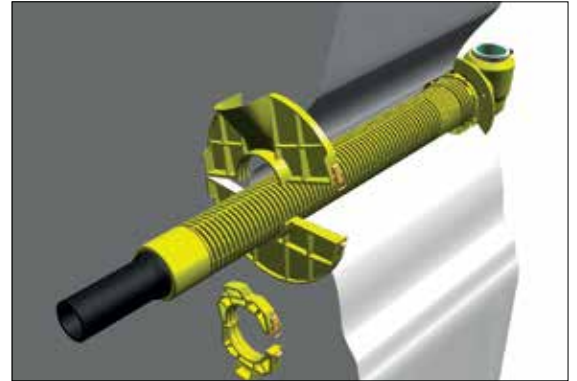
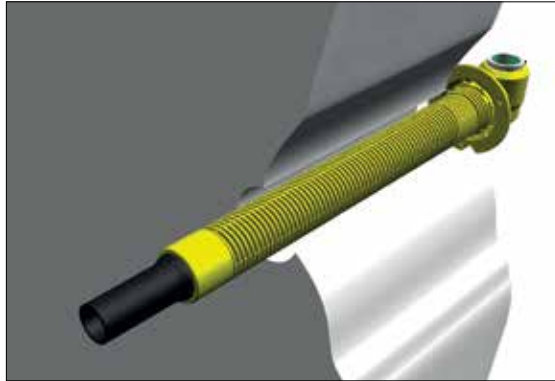
## Steps required for wet installation

**Top left:** Hole in wall with HSP inserted

**Top right:** The filling device and sealing disk being attached to the round thread casing of the HSP

**Bottom left:** Hole in wall being grouted with Schuck expanding cement

**Bottom right:** Removal of the filling device and sealing disk



### DESCRIPTION

From the basement, insert the HSP into the drilled or caulked hole as far as the limit stop on the ARO plate.

Place the filling device and sealing disk on the round thread casing and secure them with the clamping fastener. Attach and secure the adjusting nut as well.

Align the HSP and turn the adjusting nut so that the filling device (with the filling funnel at the top) is firmly clamped against the masonry. Grout the hole in the wall with Schuck expanding cement.

It will set in approx. 15 minutes. The filling device can be removed at a later point. The ARO plate on the basement side must remain in place.



# SCHUCK GAS HOUSE LEAD-INS HSP

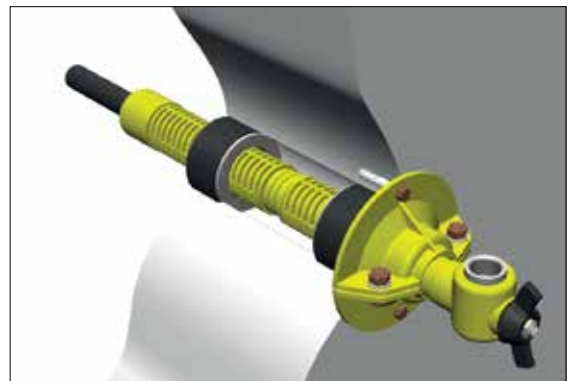
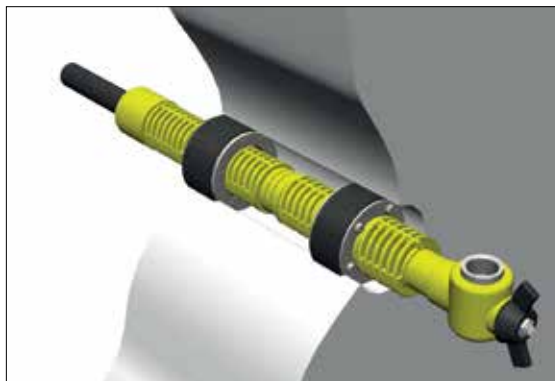
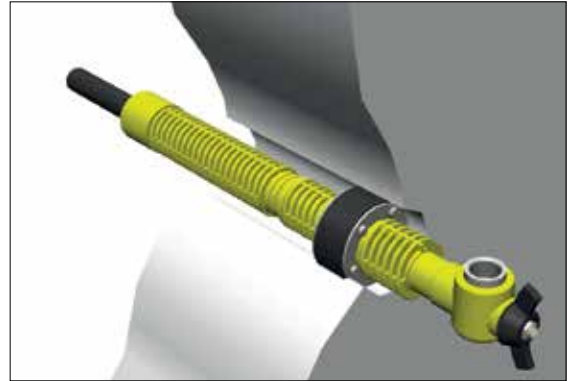
## Steps required for dry installation

**Top left:** Gas house lead-in with internal sealing element

**Top right:** Hole in wall with HSP inserted

**Bottom left:** External sealing element being mounted

**Bottom right:** The ARP plate being mounted



### DESCRIPTION

Place the internal sealing element on the HSP at the designated position.

Loosely attach the ARP plate to serve as a guide and insert the HSP into the core hole until the ARP plate is touching the wall.

Slide the external sealing element over the HSP and into the core hole until this is also flush with the wall. Tighten both sealing elements by working in a crisscross pattern.

Mount the ARP plate to prevent tearing out and twisting and to provide an attractive finish.

---

# SCHUCK GAS HOUSE LEAD-INS

## The Schuck Fire Safe lever for added safety

**Left:** Schuck Fire Safe lever on HSP

**Right:** A Fire Safe lever that has responded because of a fire



### DESCRIPTION

A gas house lead-in must be capable of withstanding thermal loads in order to gain DVGW VP601 approval. This means that the house lead-in must not leak when subjected to a simulated fire with the valve closed\*. The prerequisite for the test is that the valve on the house lead-in must be closed.

To enable the valve to close automatically in the event of a fire, SCHUCK gas house lead-ins can be fitted with the SCHUCK Fire Safe lever. When the temperature reaches approximately 90°C, this lever closes the ball valve automatically by means of an integrated pre-stressed torsional spring, thereby ensuring maximum levels of safety.

Every single HSP gas house lead-in from SCHUCK can be fitted with the Fire Safe lever. We like to fit the Fire Safe lever on the house lead-in at the factory. However, it can also be retrofitted.

Look for the code „FI“ in the tables to see which versions feature the Fire Safe lever.

\* According to DVGW VP601, a valve is classed as "tight" during the thermal load test if the leakage rate does not exceed  $\leq 150$  L/h. This test is carried out at 650°C and lasts for 30 minutes.

Although it is very rare, the scenario that we have invested so much time and effort in countering did actually come to pass in January 2009. A fire broke out at a site on the Swabian Alb (a plateau in Baden-Württemberg) and spread throughout the company, destroying the entire bottom half of an administration building in the process, along with the basement. It was here that the gas connection was located – protected, of course, by a Schuck Fire Safe ball valve. This withstood the flames until the fire department succeeded in getting the fire under control. Prior to this, the house lead-in had simply been sitting there quietly in the basement ready to spring into action and save the day in an emergency. Had it not been there, that evening would have ended in complete disaster. The fire would have melted through the installation, allowing the gas to escape and explode. And we all know that gas explosions of this kind can have devastating effects

# SCHUCK GAS HOUSE LEAD-INS

## Accessories

AVAILABLE  
AS AN  
ACCESSORY

**Top left:** Wall finishing set with rubber or foam seal and centering rings.

**Top right:** Dry installation set.

**Bottom left:** Filling set

**Bottom right:** Betofix expanding grout.

All images provided for illustrative purposes only



### DESCRIPTION

The wall pipe of the HSP gas house lead-in features the practical round thread casing which will already be familiar from the Schuck „WHP“ water house lead-ins.

The accessories and round thread casing are perfectly coordinated with each other to make installing the house lead-in as safe and easy as possible.

In order to seal the hole in the wall and plug the annular gap, an ARO plate is screwed onto the round thread casing on the inside of the building.

In the case of wet installation with expanding grout, the hole is sealed on the outside of the building by using the filling device with the filling funnel.

In the case of wet installation with expansion resin, an ARO plate can be attached on the outside of the building using the adjusting nut of the filling device.

In the case of dry installation, the ARP plate must be attached to prevent pulling out and twisting.

### TYPES

ARO plate set with foam seal

ARO plate set with rubber seal

Dry installation set

Filling device

Betofix

Retrofit set for multiple service house lead-in (Hauff)

Retrofit set for Quadro Secura (Doyma)

### PRODUCT FEATURES

Coordinated system

Quick and easy assembly

Reliable grouting thanks to monitoring feature in funnel

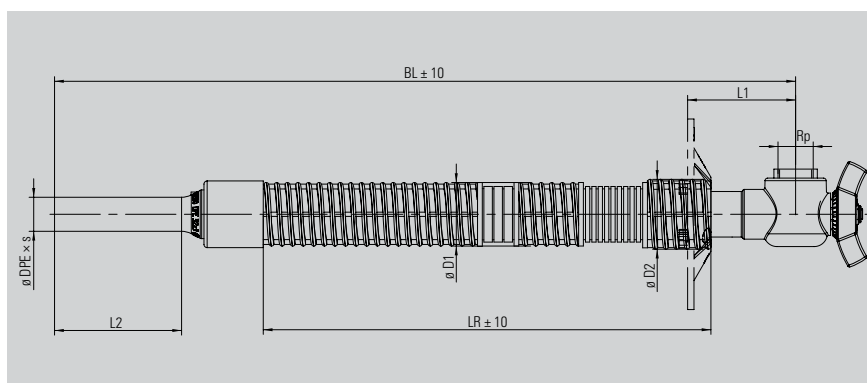
Neat wall finish

The system is also suitable for WHP water house lead-ins from Schuck.

# SCHUCK GAS HOUSE LEAD-INS

## HSP

With internal thread\*, angle



- ø DPE Inlet side diameter
- s Wall thickness on inlet side
- BL Overall length
- LR Length of wall pipe (max. installation length)
- L1 Length of connection on outlet side
- L2 Length of connection on inlet side
- ø D1 Diameter 1
- ø D2 Diameter 2
- ø Kb Min. core hole diameter
- Rp Internal thread

### Schuck gas house lead-in HSP-PE-SKEGTN

DN	DPE×s	BL	LR	L1	L2	ø D1	ø D2	ø Kb	Rp	Lever	KH	Part no.	kg net
25	32×3.0	700	420	100–140	120	60	66	80	1"	KN	sheathed	HSP.0026	3.1
25	32×3.0	700	420	100–140	120	60	66	80	1"	FI	sheathed	HSP.0126	3.3
25	32×3.0	1000	720	100–140	120	60	66	80	1"	KN	sheathed	HSP.0027	4.3
25	32×3.0	1000	720	100–140	120	60	66	80	1"	FI	sheathed	HSP.0011	4.5
25	32×3.0	1485	1170	100–140	120	60	66	80	1"	KN	coated	HSP250066	6.1
25	32×3.0	1485	1170	100–140	120	60	66	80	1"	FI	coated	HSP250065	6.3
32	40×3.7	740	420	110–150	130	75	80	100	1 ¼"	KN	sheathed	HSP.0933	5.6
32	40×3.7	740	420	110–150	130	75	80	100	1 ¼"	FI	sheathed	HSP.0932	5.8
32	40×3.7	1040	720	110–150	130	75	80	100	1 ¼"	KN	sheathed	HSP.0934	7.3
32	40×3.7	1040	720	110–150	130	75	80	100	1 ¼"	FI	sheathed	HSP.0995	7.5
40	50×4.6	740	420	110–150	130	75	80	100	1 ½"	KN	sheathed	HSP.0935	5.6
40	50×4.6	740	420	110–150	130	75	80	100	1 ½"	FI	sheathed	HSP.0936	5.8
40	50×4.6	1040	720	110–150	130	75	80	100	1 ½"	KN	sheathed	HSP.0937	7.3
40	50×4.6	1040	720	110–150	130	75	80	100	1 ½"	FI	sheathed	HSP.0938	7.5
50	63×5.8	740	420	120–160	130	90	95	120	2"	SH	sheathed	HSP.1096	8.3
50	63×5.8	740	420	120–160	130	90	95	120	2"	FI	sheathed	HSP.0839	8.4
50	63×5.8	1040	720	120–160	130	90	95	120	2"	SH	sheathed	HSP.1071	11.5
50	63×5.8	1040	720	120–160	130	90	95	120	2"	FI	sheathed	HSP.0851	11.6

All dimensions in mm

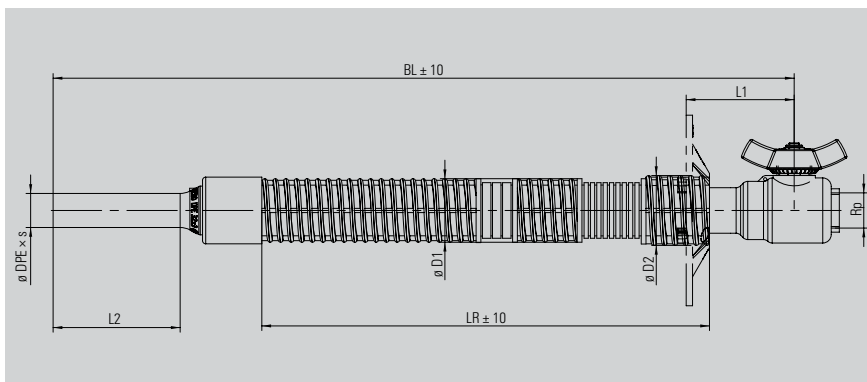
Manufactured according to VP601

\* DIN EN 10226-1

# SCHUCK GAS HOUSE LEAD-INS

## HSP

With internal thread\*, straight way



- ø DPE Inlet side diameter
- s Wall thickness on inlet side
- BL Overall length
- LR Length of wall pipe (max. installation length)
- L1 Length of connection on outlet side
- L2 Length of connection on inlet side
- ø D1 Diameter 1
- ø D2 Diameter 2
- ø Kb Min. core hole diameter
- Rp Internal thread

### Schuck gas house lead-in HSP-PE-SKDGTN

DN	DPE×s	BL	LR	L1	L2	ø D1	ø D2	ø Kb	Rp	Lever	KH	Part no.	kg net
25	32×3.0	700	420	100–140	120	60	66	80	1"	KN	sheathed	HSP.0134	3.1
25	32×3.0	700	420	100–140	120	60	66	80	1"	FI	sheathed	HSP.0488	3.3
25	32×3.0	1000	720	100–140	120	60	66	80	1"	KN	sheathed	HSP.0231	4.3
25	32×3.0	1000	720	100–140	120	60	66	80	1"	FI	sheathed	HSP.0055	4.5
25	32×3.0	1485	1170	100–140	120	60	66	80	1"	KN	coated	HSP250189	6.1
25	32×3.0	1485	1170	100–140	120	60	66	80	1"	FI	coated	HSP250190	6.3
32	40×3.7	740	420	110–150	130	75	80	100	1 ¼"	KN	coated	HSP.0939	5.6
32	40×3.7	740	420	110–150	130	75	80	100	1 ¼"	FI	coated	HSP.0940	5.8
32	40×3.7	1040	720	110–150	130	75	80	100	1 ¼"	KN	coated	HSP.0941	7.3
32	40×3.7	1040	720	110–150	130	75	80	100	1 ¼"	FI	coated	HSP.0942	7.5
40	50×4.6	740	420	110–150	130	75	80	100	1 ½"	KN	coated	HSP.0944	5.6
40	50×4.6	740	420	110–150	130	75	80	100	1 ½"	FI	coated	HSP.0945	5.8
40	50×4.6	1040	720	110–150	130	75	80	100	1 ½"	KN	coated	HSP.0943	7.3
40	50×4.6	1040	720	110–150	130	75	80	100	1 ½"	FI	coated	HSP.0946	7.5
50	63×5.8	740	420	120–160	130	90	95	120	2"	SH	sheathed	HSP.1097	8.3
50	63×5.8	740	420	120–160	130	90	95	120	2"	FI	sheathed	HSP.0918	8.4
50	63×5.8	1040	720	120–160	130	90	95	120	2"	SH	sheathed	HSP.1098	11.5
50	63×5.8	1040	720	120–160	130	90	95	120	2"	FI	sheathed	HSP.0919	11.6

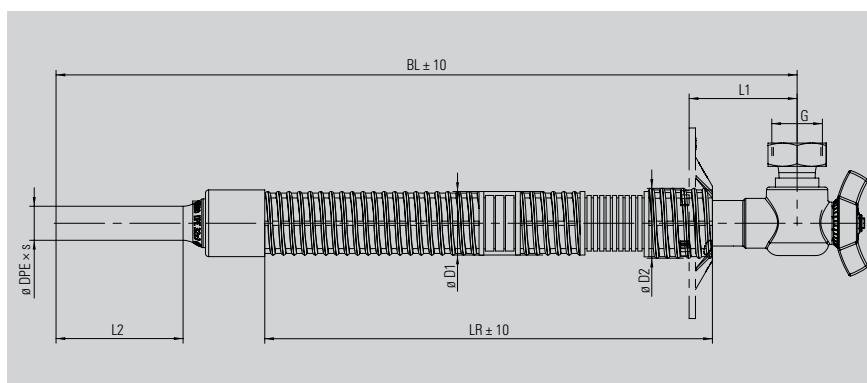
All dimensions in mm  
 Manufactured according to VP601  
 \* DIN EN 10226-1



# SCHUCK GAS HOUSE LEAD-INS

## HSP

With threaded flexible connection\*, angle



- ø DPE Inlet side diameter
- s Wall thickness on inlet side
- BL Overall length
- LR Length of wall pipe (max. installation length)
- L1 Length of connection on outlet side
- L2 Length of connection on inlet side
- ø D1 Diameter 1
- ø D2 Diameter 2
- ø Kb Min. core hole diameter
- G Union nut thread

### Schuck gas house lead-in HSP-PE-SKERVGTN

DN	DPE×s	BL	LR	L1	L2	ø D1	ø D2	ø Kb	G	Lever	KH	Part no.	kg net
25	32×3.0	700	420	100–140	120	60	66	80	1 ½"	KN	sheathed	HSP.0051	3.5
25	32×3.0	700	420	100–140	120	60	66	80	1 ½"	FI	sheathed	HSP.0172	3.7
25	32×3.0	1000	720	100–140	120	60	66	80	1 ½"	KN	sheathed	HSP.0063	4.6
25	32×3.0	1000	720	100–140	120	60	66	80	1 ½"	FI	sheathed	HSP.0064	4.8
25	32×3.0	1485	1170	100–140	120	60	66	80	1 ½"	KN	coated	HSP250068	6.5
25	32×3.0	1485	1170	100–140	120	60	66	80	1 ½"	FI	coated	HSP250069	6.7
32	40×3.7	740	420	110–150	130	75	80	100	2"	KN	sheathed	HSP.0947	6.3
32	40×3.7	740	420	110–150	130	75	80	100	2"	FI	sheathed	HSP.0948	6.5
32	40×3.7	1040	720	110–150	130	75	80	100	2"	KN	sheathed	HSP.0949	8
32	40×3.7	1040	720	110–150	130	75	80	100	2"	FI	sheathed	HSP.0950	8.2
40	50×4.6	740	420	110–150	130	75	80	100	2 ¼"	KN	sheathed	HSP.0951	6.3
40	50×4.6	740	420	110–150	130	75	80	100	2 ¼"	FI	sheathed	HSP.0952	6.5
40	50×4.6	1040	720	110–150	130	75	80	100	2 ¼"	KN	sheathed	HSP.0953	8
40	50×4.6	1040	720	110–150	130	75	80	100	2 ¼"	FI	sheathed	HSP.0954	8.2
50	63×5.8	740	420	120–160	130	90	95	120	2 ¾"	SH	sheathed	HSP.1099	9.2
50	63×5.8	740	420	120–160	130	90	95	120	2 ¾"	FI	sheathed	HSP.0887	9.3
50	63×5.8	1040	720	120–160	130	90	95	120	2 ¾"	SH	sheathed	HSP.1100	11.6
50	63×5.8	1040	720	120–160	130	90	95	120	2 ¾"	FI	sheathed	HSP.0843	11.7

All dimensions in mm

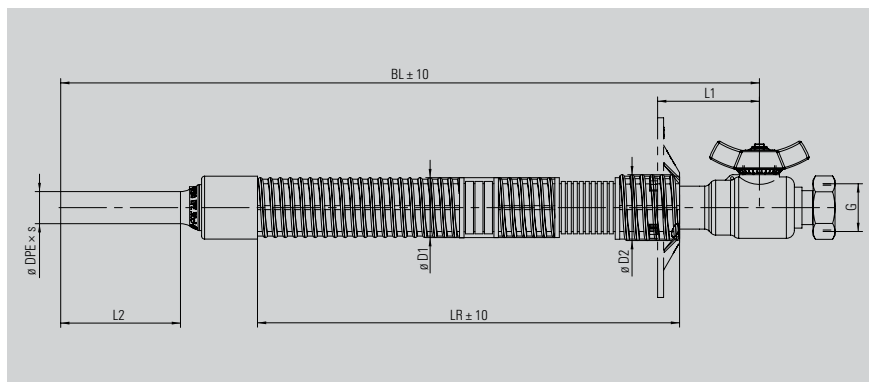
Manufactured according to VP601

\* EN 10241

# SCHUCK GAS HOUSE LEAD-INS

## HSP

With threaded flexible connection\*, straight way



- ø DPE Inlet side diameter
- s Wall thickness on inlet side
- BL Overall length
- LR Length of wall pipe (max. installation length)
- L1 Length of connection on outlet side
- L2 Length of connection on inlet side
- ø D1 Diameter 1
- ø D2 Diameter 2
- ø Kb Min. core hole diameter
- G Union nut thread

### Schuck gas house lead-in HSP-PE-SKDRVGTN

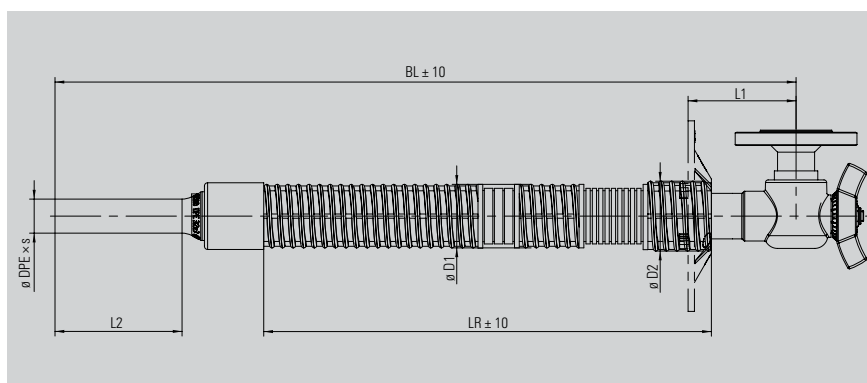
DN	DPE×s	BL	LR	L1	L2	ø D1	ø D2	ø Kb	G	Lever	KH	Part no.	kg net
25	32×3.0	700	420	100-140	120	60	66	80	1 1/2"	KN	sheathed	HSP0253	3.5
25	32×3.0	700	420	100-140	120	60	66	80	1 1/2"	FI	sheathed	HSP0296	3.7
25	32×3.0	1000	720	100-140	120	60	66	80	1 1/2"	KN	sheathed	HSP0137	4.6
25	32×3.0	1000	720	100-140	120	60	66	80	1 1/2"	FI	sheathed	HSP0396	4.8
25	32×3.0	1485	1170	100-140	120	60	66	80	1 1/2"	KN	coated	HSP250191	6.5
25	32×3.0	1485	1170	100-140	120	60	66	80	1 1/2"	FI	coated	HSP250192	6.7
32	40×3.7	740	420	110-150	130	75	80	100	2"	KN	coated	HSP0955	6.3
32	40×3.7	740	420	110-150	130	75	80	100	2"	FI	coated	HSP0956	6.5
32	40×3.7	1040	720	110-150	130	75	80	100	2"	KN	coated	HSP0957	8
32	40×3.7	1040	720	110-150	130	75	80	100	2"	FI	coated	HSP0958	8.2
40	50×4.6	740	420	110-150	130	75	80	100	2 1/4"	KN	coated	HSP0959	6.3
40	50×4.6	740	420	110-150	130	75	80	100	2 1/4"	FI	coated	HSP0960	6.5
40	50×4.6	1040	720	110-150	130	75	80	100	2 1/4"	KN	coated	HSP0961	8
40	50×4.6	1040	720	110-150	130	75	80	100	2 1/4"	FI	coated	HSP0962	8.2
50	63×5.8	740	420	120-160	130	90	95	120	2 3/4"	SH	coated	HSP1101	9.2
50	63×5.8	740	420	120-160	130	90	95	120	2 3/4"	FI	coated	HSP0922	9.3
50	63×5.8	1040	720	120-160	130	90	95	120	2 3/4"	SH	coated	HSP1102	11.6
50	63×5.8	1040	720	120-160	130	90	95	120	2 3/4"	FI	coated	HSP0920	11.7

All dimensions in mm  
 Manufactured according to VP601  
 \* EN 10241

# SCHUCK GAS HOUSE LEAD-INS

## HSP

With flange\*, angle



- ø DPE Inlet side diameter
- s Wall thickness on inlet side
- BL Overall length
- LR Length of wall pipe (max. installation length)
- L1 Length of connection on outlet side
- L2 Length of connection on inlet side
- ø D1 Diameter 1
- ø D2 Diameter 2
- ø Kb Min. core hole diameter

### Schuck gas house lead-in HSP-PE-SKEFGTN

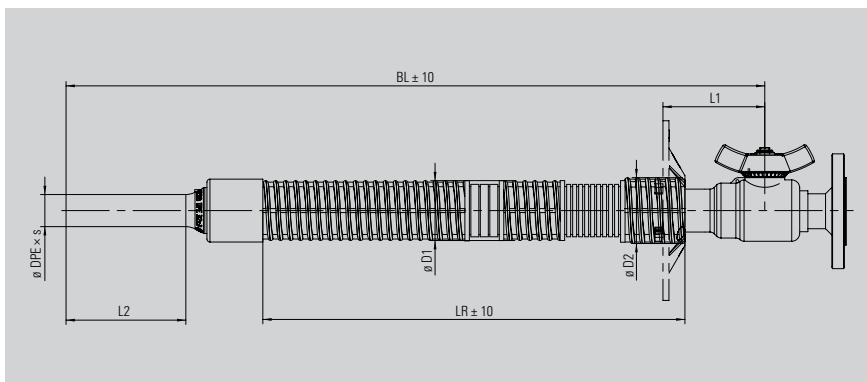
DN	DPE×s	BL	LR	L1	L2	ø D1	ø D2	ø Kb	Lever	KH	Part no.	kg net
25	32×3.0	700	420	100–140	120	60	66	80	KN	sheathed	HSP.0033	4.3
25	32×3.0	700	420	100–140	120	60	66	80	FI	sheathed	HSP.0039	4.5
25	32×3.0	1000	720	100–140	120	60	66	80	KN	sheathed	HSP.0034	5.4
25	32×3.0	1000	720	100–140	120	60	66	80	FI	sheathed	HSP.0114	5.6
25	32×3.0	1485	1170	100–140	120	60	66	80	KN	coated	HSP250057	7.3
25	32×3.0	1485	1170	100–140	120	60	66	80	FI	coated	HSP250058	7.5
32	40×3.7	740	420	110–150	130	75	80	100	KN	sheathed	HSP.0963	7.6
32	40×3.7	740	420	110–150	130	75	80	100	FI	sheathed	HSP.0964	7.8
32	40×3.7	1040	720	110–150	130	75	80	100	KN	sheathed	HSP.0965	9.3
32	40×3.7	1040	720	110–150	130	75	80	100	FI	sheathed	HSP.0966	9.5
40	50×4.6	740	420	110–150	130	75	80	100	KN	sheathed	HSP.0967	7.6
40	50×4.6	740	420	110–150	130	75	80	100	FI	sheathed	HSP.0968	7.8
40	50×4.6	1040	720	110–150	130	75	80	100	KN	sheathed	HSP.0969	9.3
40	50×4.6	1040	720	110–150	130	75	80	100	FI	sheathed	HSP.0970	9.5
50	63×5.8	740	420	120–160	130	90	95	120	SH	sheathed	HSP.1103	11
50	63×5.8	740	420	120–160	130	90	95	120	FI	sheathed	HSP.0852	11.1
50	63×5.8	1040	720	120–160	130	90	95	120	SH	sheathed	HSP.1104	13.3
50	63×5.8	1040	720	120–160	130	90	95	120	FI	sheathed	HSP.0838	13.4

All dimensions in mm  
 Manufactured according to VP601  
 \* PN16/DIN EN 1092-1

# SCHUCK GAS HOUSE LEAD-INS

## HSP

With flange\*, straight way



- ø DPE Inlet side diameter
- s Wall thickness on inlet side
- BL Overall length
- LR Length of wall pipe (max. installation length)
- L1 Length of connection on outlet side
- L2 Length of connection on inlet side
- ø D1 Diameter 1
- ø D2 Diameter 2
- ø Kb Min. core hole diameter

### Schuck gas house lead-in HSP-PE-SKDFGTN

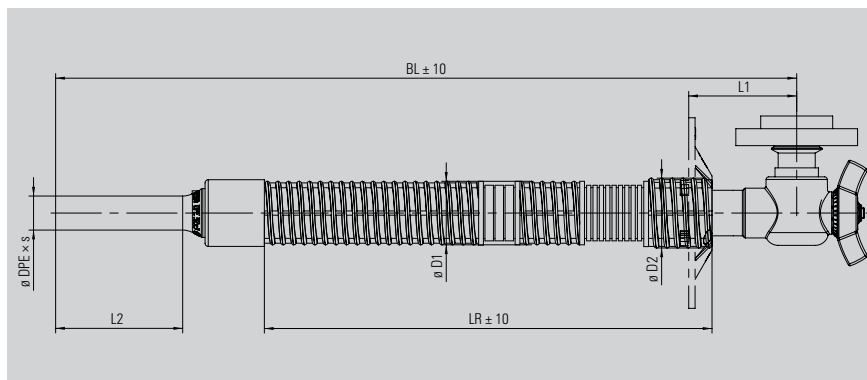
DN	DPE×s	BL	LR	L1	L2	ø D1	ø D2	ø Kb	Lever	KH	Part no.	kg net
25	32×3.0	700	420	100–140	120	60	66	80	KN	sheathed	HSP0038	4.3
25	32×3.0	700	420	100–140	120	60	66	80	FI	sheathed	HSP0194	4.5
25	32×3.0	1000	720	100–140	120	60	66	80	KN	sheathed	HSP0122	5.4
25	32×3.0	1000	720	100–140	120	60	66	80	FI	sheathed	HSP0120	5.6
25	32×3.0	1485	1170	100–140	120	60	66	80	KN	coated	HSP250053	7.3
25	32×3.0	1485	1170	100–140	120	60	66	80	FI	coated	HSP250188	7.5
32	40×3.7	740	420	110–150	130	75	80	100	KN	coated	HSP0971	7.6
32	40×3.7	740	420	110–150	130	75	80	100	FI	coated	HSP0972	7.8
32	40×3.7	1040	720	110–150	130	75	80	100	KN	coated	HSP0973	9.3
32	40×3.7	1040	720	110–150	130	75	80	100	FI	coated	HSP0974	9.5
40	50×4.6	740	420	110–150	130	75	80	100	KN	coated	HSP0975	7.6
40	50×4.6	740	420	110–150	130	75	80	100	FI	coated	HSP0976	7.8
40	50×4.6	1040	720	110–150	130	75	80	100	KN	coated	HSP0977	9.3
40	50×4.6	1040	720	110–150	130	75	80	100	FI	coated	HSP0978	9.5
50	63×5.8	740	420	120–160	130	90	95	120	SH	sheathed	HSP.1105	11
50	63×5.8	740	420	120–160	130	90	95	120	FI	sheathed	HSP0888	11.1
50	63×5.8	1040	720	120–160	130	90	95	120	SH	sheathed	HSP.1086	13.3
50	63×5.8	1040	720	120–160	130	90	95	120	FI	sheathed	HSP0881	13.4

All dimensions in mm  
 Manufactured according to VP601  
 \* PN16/DIN EN 1092-1

# SCHUCK GAS HOUSE LEAD-INS

## HSP

With loose flange\*, angle



- Ø DPE Inlet side diameter
- s Wall thickness on inlet side
- BL Overall length
- LR Length of wall pipe (max. installation length)
- L1 Length of connection on outlet side
- L2 Length of connection on inlet side
- Ø D1 Diameter 1
- Ø D2 Diameter 2
- Ø Kb Min. core hole diameter

### Schuck gas house lead-in HSP-PE-SKEFLGTN

DN	DPE×s	BL	LR	L1	L2	Ø D1	Ø D2	Ø Kb	Lever	KH	Part no.	kg net
25	32×3.0	700	420	100-140	120	60	66	80	KN	sheathed	HSP.0022	4.7
25	32×3.0	700	420	100-140	120	60	66	80	FI	sheathed	HSP.0116	4.9
25	32×3.0	1000	720	100-140	120	60	66	80	KN	sheathed	HSP.0146	5.9
25	32×3.0	1000	720	100-140	120	60	66	80	FI	sheathed	HSP.0040	6.1
25	32×3.0	1485	1170	100-140	120	60	66	80	KN	coated	HSP250062	7.7
25	32×3.0	1485	1170	100-140	120	60	66	80	FI	coated	HSP250061	7.9
32	40×3.7	740	420	110-150	130	75	80	100	KN	sheathed	HSP.0979	7.6
32	40×3.7	740	420	110-150	130	75	80	100	FI	sheathed	HSP.0980	7.8
32	40×3.7	1040	720	110-150	130	75	80	100	KN	sheathed	HSP.0981	9.5
32	40×3.7	1040	720	110-150	130	75	80	100	FI	sheathed	HSP.0982	9.7
40	50×4.6	740	420	110-150	130	75	80	100	KN	sheathed	HSP.0983	7.6
40	50×4.6	740	420	110-150	130	75	80	100	FI	sheathed	HSP.0984	7.8
40	50×4.6	1040	720	110-150	130	75	80	100	KN	sheathed	HSP.0985	9.5
40	50×4.6	1040	720	110-150	130	75	80	100	FI	sheathed	HSP.0986	9.7
50	63×5.8	740	420	120-160	130	90	95	120	SH	sheathed	HSP.1106	11.8
50	63×5.8	740	420	120-160	130	90	95	120	FI	sheathed	HSP.0924	11.9
50	63×5.8	1040	720	120-160	130	90	95	120	SH	sheathed	HSP.1107	14.1
50	63×5.8	1040	720	120-160	130	90	95	120	FI	sheathed	HSP.0873	14.2

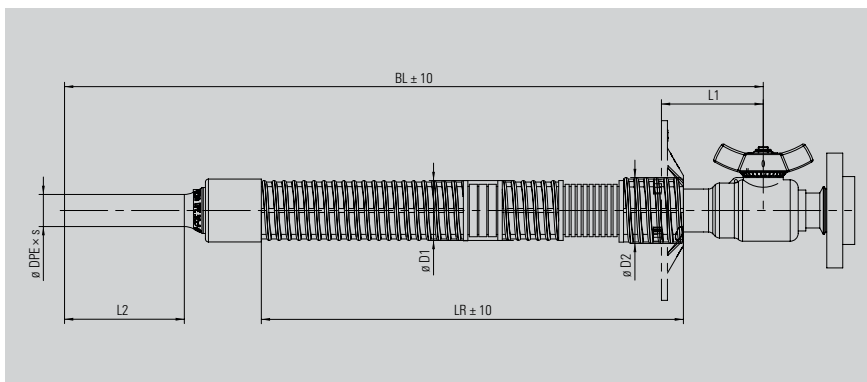
All dimensions in mm  
 Manufactured according to VP601  
 \* PN10/DIN EN 1092-1



# SCHUCK GAS HOUSE LEAD-INS

## HSP

With loose flange\*, straight way



- ø DPE Inlet side diameter
- s Wall thickness on inlet side
- BL Overall length
- LR Length of wall pipe (max. installation length)
- L1 Length of connection on outlet side
- L2 Length of connection on inlet side
- ø D1 Diameter 1
- ø D2 Diameter 2
- ø Kb Min. core hole diameter

### Schuck gas house lead-in HSP-PE-SKDFLGTN

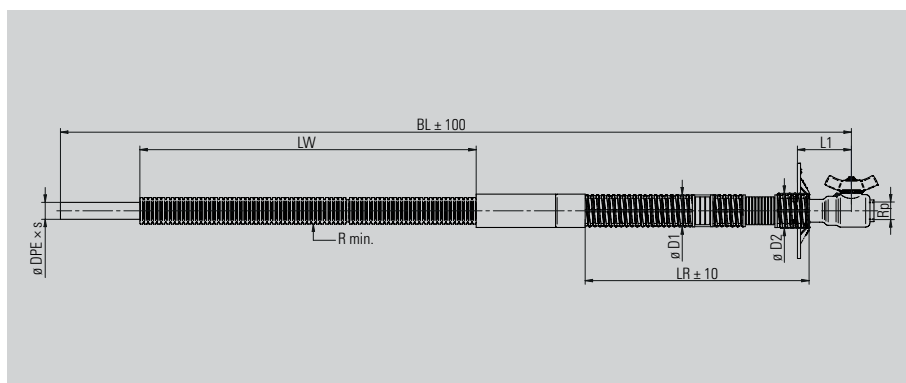
DN	DPE×s	BL	LR	L1	L2	ø D1	ø D2	ø Kb	Lever	KH	Part no.	kg net
25	32×3.0	700	420	100-140	120	60	66	80	KN	sheathed	HSP.0435	4.7
25	32×3.0	700	420	100-140	120	60	66	80	FI	sheathed	HSP.0611	4.9
25	32×3.0	1000	720	100-140	120	60	66	80	KN	sheathed	HSP.0808	5.9
25	32×3.0	1000	720	100-140	120	60	66	80	FI	sheathed	HSP.0786	6.1
25	32×3.0	1485	1170	100-140	120	60	66	80	KN	coated	HSP250054	7.7
25	32×3.0	1485	1170	100-140	120	60	66	80	FI	coated	HSP250187	7.9
32	40×3.7	740	420	110-150	130	75	80	100	KN	coated	HSP.0987	7.6
32	40×3.7	740	420	110-150	130	75	80	100	FI	coated	HSP.0988	7.8
32	40×3.7	1040	720	110-150	130	75	80	100	KN	coated	HSP.0989	9.5
32	40×3.7	1040	720	110-150	130	75	80	100	FI	coated	HSP.0990	9.7
40	50×4.6	740	420	110-150	130	75	80	100	KN	coated	HSP.0991	7.6
40	50×4.6	740	420	110-150	130	75	80	100	FI	coated	HSP.0992	7.8
40	50×4.6	1040	720	110-150	130	75	80	100	KN	coated	HSP.0993	9.5
40	50×4.6	1040	720	110-150	130	75	80	100	FI	coated	HSP.0994	9.7
50	63×5.8	740	420	120-160	130	90	95	120	SH	coated	HSP.1108	11.8
50	63×5.8	740	420	120-160	130	90	95	120	FI	coated	HSP.0925	11.9
50	63×5.8	1040	720	120-160	130	90	95	120	SH	coated	HSP.1109	14.1
50	63×5.8	1040	720	120-160	130	90	95	120	FI	coated	HSP.0927	14.2

All dimensions in mm  
 Manufactured according to VP601  
 \* PN10/DIN EN 1092-1

# SCHUCK GAS HOUSE LEAD-INS

## HSP-PEFLEX/flexible section made from PE100

With internal thread\*, straight way



- ø DPE Inlet side diameter
- s Wall thickness on inlet side
- BL Overall length
- LR Length of wall pipe (max. installation length)
- LW Length of flexible section \*\*
- L1 Length of connection on outlet side \*\*\*
- ø D1 Diameter 1
- ø D2 Diameter 2
- Rp Internal thread
- ø Kb Min. core hole diameter
- R min. Minimum bending radius \*\*\*\*

### Schuck gas house lead-in HSP-PEFLEX-PE-SKDGTN

DN	DPE x s	BL	LR	LW	L1	ø D1	ø D2	Rp	ø Kb	R min 20°C	R min 10°C	R min 0°C	Lever	KH	Part no.	kg net
25	32 x 3.0	2210	420	1500	80	60	66	1"	80	640	1120	1600	KN	sheathed	HSP-PEFLEX.0049	4.2
25	32 x 3.0	2210	420	1500	80	60	66	1"	80	640	1120	1600	FI	sheathed	HSP-PEFLEX.0124	4.4
25	32 x 3.0	2710	420	2000	80	60	66	1"	80	640	1120	1600	KN	sheathed	HSP-PEFLEX.0036	4.5
25	32 x 3.0	2710	420	2000	80	60	66	1"	80	640	1120	1600	FI	sheathed	HSP-PEFLEX.0030	4.7
25	32 x 3.0	3710	420	3000	80	60	66	1"	80	640	1120	1600	KN	sheathed	HSP-PEFLEX.0034	5.2
25	32 x 3.0	3710	420	3000	80	60	66	1"	80	640	1120	1600	FI	sheathed	HSP-PEFLEX.0174	5.4
25	32 x 3.0	4710	420	4000	80	60	66	1"	80	640	1120	1600	KN	sheathed	HSP-PEFLEX.0050	5.9
25	32 x 3.0	4710	420	4000	80	60	66	1"	80	640	1120	1600	FI	sheathed	HSP-PEFLEX.0334	6.1
25	32 x 3.0	6710	420	6000	80	60	66	1"	80	640	1120	1600	KN	sheathed	HSP-PEFLEX.0079	7.3
25	32 x 3.0	6710	420	6000	80	60	66	1"	80	640	1120	1600	FI	sheathed	HSP-PEFLEX.0204	7.5
32	40 x 3.7	3750	420	3000	90	75	80	1 1/4"	100	800	1400	2000	KN	coated	HSP-PEFLEX.1176	8
32	40 x 3.7	3750	420	3000	90	75	80	1 1/4"	100	800	1400	2000	FI	coated	HSP-PEFLEX.1174	8.2
32	40 x 3.7	4750	420	4000	90	75	80	1 1/4"	100	800	1400	2000	KN	coated	HSP-PEFLEX.1216	8.8
32	40 x 3.7	4750	420	4000	90	75	80	1 1/4"	100	800	1400	2000	FI	coated	HSP-PEFLEX.1217	9
40	50 x 4.6	3740	420	3000	90	75	80	1 1/2"	100	1000	1750	2500	KN	coated	HSP-PEFLEX.1137	8.6
40	50 x 4.6	3740	420	3000	90	75	80	1 1/2"	100	1000	1750	2500	FI	coated	HSP-PEFLEX.1118	8.8
40	50 x 4.6	4740	420	4000	90	75	80	1 1/2"	100	1000	1750	2500	KN	coated	HSP-PEFLEX.1112	9.6
40	50 x 4.6	4740	420	4000	90	75	80	1 1/2"	100	1000	1750	2500	FI	coated	HSP-PEFLEX.1221	9.8
50	63 x 5.8	3740	420	3000	100	90	95	2"	120	1260	2205	3150	SH	sheathed	HSP-PEFLEX.1224	13.3
50	63 x 5.8	3740	420	3000	100	90	95	2"	120	1260	2205	3150	FI	sheathed	HSP-PEFLEX.1070	13.5
50	63 x 5.8	4740	420	4000	100	90	95	2"	120	1260	2205	3150	SH	sheathed	HSP-PEFLEX.1225	15
50	63 x 5.8	4740	420	4000	100	90	95	2"	120	1260	2205	3150	FI	sheathed	HSP-PEFLEX.1059	15.2

All dimensions in mm

Manufactured according to VP601

\* DIN EN 10226-1

\*\* Longer flexible lengths of 2000 mm or more can be supplied to order in increments of 1000 mm / DN50 only available in 3000 or 4000 mm

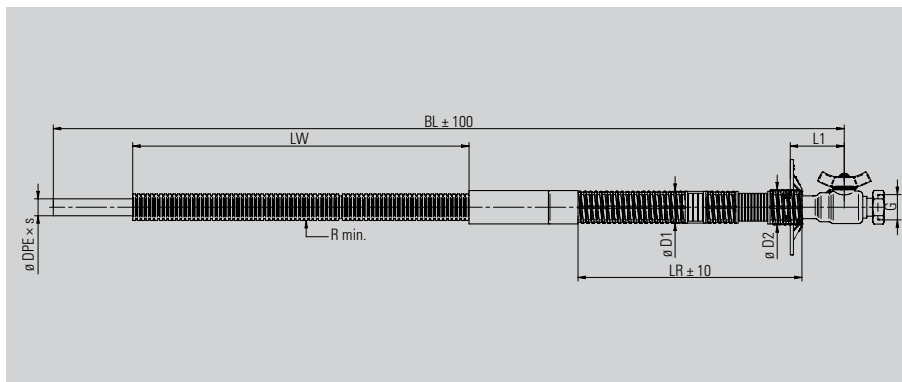
\*\*\* L1\_max depends on floor panel. Maximum installation area = LR. The area below LR must be outside the floor panel!

\*\*\*\* Minimum bending radius on flexible section

# SCHUCK GAS HOUSE LEAD-INS

## HSP-PEFLEX/flexible section made from PE100

With threaded flexible connection\*, straight way



- Ø DPE Inlet side diameter
- s Wall thickness on inlet side
- BL Overall length
- LR Length of wall pipe (max. installation length)
- LW Length of flexible section \*\*
- L1 Length of connection on outlet side \*\*\*
- Ø D1 Diameter 1
- Ø D2 Diameter 2
- Rp Internal thread
- Ø Kb Min. core hole diameter
- R min. Minimum bending radius \*\*\*\*

### Schuck gas house lead-in HSP-PEFLEX-PE-SKDRVGTN

DN	DPE×s	BL	LR	LW	L1	Ø D1	Ø D2	G	Ø Kb	Rmin 20°C	Rmin 10°C	Rmin 0°C	Lever	KH	Part no.	kg net
25	32×3.0	2210	420	1500	80	60	66	1 ½"	80	640	1120	1600	KN	sheathed	HSP-PEFLEX.0048	4.6
25	32×3.0	2210	420	1500	80	60	66	1 ½"	80	640	1120	1600	FI	sheathed	HSP-PEFLEX.0093	4.8
25	32×3.0	2710	420	2000	80	60	66	1 ½"	80	640	1120	1600	KN	sheathed	HSP-PEFLEX.0032	4.9
25	32×3.0	2710	420	2000	80	60	66	1 ½"	80	640	1120	1600	FI	sheathed	HSP-PEFLEX.0157	5.1
25	32×3.0	3710	420	3000	80	60	66	1 ½"	80	640	1120	1600	KN	sheathed	HSP-PEFLEX.0266	5.6
25	32×3.0	3710	420	3000	80	60	66	1 ½"	80	640	1120	1600	FI	sheathed	HSP-PEFLEX.0250	5.8
25	32×3.0	4710	420	4000	80	60	66	1 ½"	80	640	1120	1600	KN	sheathed	HSP-PEFLEX.0244	6.3
25	32×3.0	4710	420	4000	80	60	66	1 ½"	80	640	1120	1600	FI	sheathed	HSP-PEFLEX.0094	6.5
25	32×3.0	6710	420	6000	80	60	66	1 ½"	80	640	1120	1600	KN	sheathed	HSP-PEFLEX.0193	7.7
25	32×3.0	6710	420	6000	80	60	66	1 ½"	80	640	1120	1600	FI	sheathed	HSP-PEFLEX.0095	7.9
32	40×3.7	3750	420	3000	90	75	80	2"	100	800	1400	2000	KN	coated	HSP-PEFLEX.1185	8.7
32	40×3.7	3750	420	3000	90	75	80	2"	100	800	1400	2000	FI	coated	HSP-PEFLEX.1227	8.9
32	40×3.7	4750	420	4000	90	75	80	2"	100	800	1400	2000	KN	coated	HSP-PEFLEX.1228	9.5
32	40×3.7	4750	420	4000	90	75	80	2"	100	800	1400	2000	FI	coated	HSP-PEFLEX.1229	9.7
40	50×4.6	3740	420	3000	90	75	80	2 ¼"	100	1000	1750	2500	KN	coated	HSP-PEFLEX.1236	9.3
40	50×4.6	3740	420	3000	90	75	80	2 ¼"	100	1000	1750	2500	FI	coated	HSP-PEFLEX.1237	9.5
40	50×4.6	4740	420	4000	90	75	80	2 ¼"	100	1000	1750	2500	KN	coated	HSP-PEFLEX.1238	10.3
40	50×4.6	4740	420	4000	90	75	80	2 ¼"	100	1000	1750	2500	FI	coated	HSP-PEFLEX.1239	10.5
50	63×5.8	3740	420	3000	100	90	95	2 ¾"	120	1260	2205	3150	SH	coated	HSP-PEFLEX.1244	14.2
50	63×5.8	3740	420	3000	100	90	95	2 ¾"	120	1260	2205	3150	FI	coated	HSP-PEFLEX.1080	14.4
50	63×5.8	4740	420	4000	100	90	95	2 ¾"	120	1260	2205	3150	SH	coated	HSP-PEFLEX.1245	15.9
50	63×5.8	4740	420	4000	100	90	95	2 ¾"	120	1260	2205	3150	FI	coated	HSP-PEFLEX.1246	16.1

All dimensions in mm

Manufactured according to VP601

\* EN 10241

\*\* Longer flexible lengths of 2000 mm or more can be supplied to order in increments of 1000 mm / DN50 only available in 3000 or 4000 mm

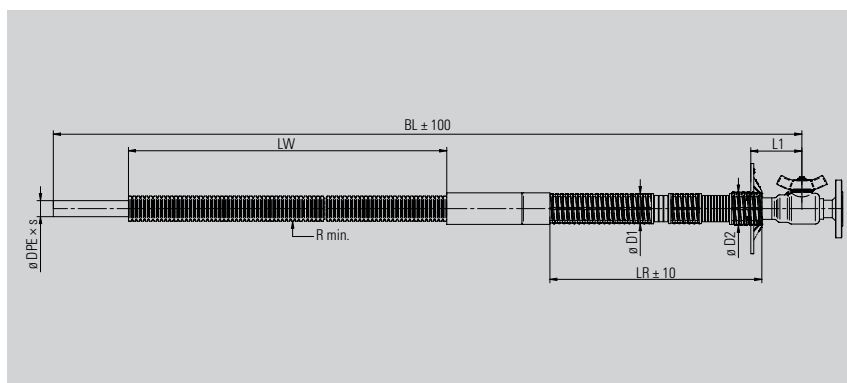
\*\*\* L1\_max depends on floor panel. Maximum installation area = LR. The area below LR must be outside the floor panel!

\*\*\*\* Minimum bending radius on flexible section

# SCHUCK GAS HOUSE LEAD-INS

## HSP-PEFLEX/flexible section made from PE100

With flange\*, straight way



- ø DPE Inlet side diameter
- s Wall thickness on inlet side
- BL Overall length
- LR Length of wall pipe (max. installation length)
- LW Length of flexible section \*\*
- L1 Length of connection on outlet side \*\*\*
- ø D1 Diameter 1
- ø D2 Diameter 2
- ø Kb Min. core hole diameter
- R min. Minimum bending radius \*\*\*\*

### Schuck gas house lead-in HSP-PEFLEX-PE-SKDFGTN

DN	DPE×s	BL	LR	LW	L1	ø D1	ø D2	ø Kb	R min 20°C	R min 10°C	R min 0°C	Lever	KH	Part no.	kg net
25	32×3.0	2210	420	1500	80	60	66	80	640	1120	1600	KN	sheathed	HSP-PEFLEX.0072	5.4
25	32×3.0	2210	420	1500	80	60	66	80	640	1120	1600	FI	sheathed	HSP-PEFLEX.0087	5.6
25	32×3.0	2710	420	2000	80	60	66	80	640	1120	1600	KN	sheathed	HSP-PEFLEX.0035	5.7
25	32×3.0	2710	420	2000	80	60	66	80	640	1120	1600	FI	sheathed	HSP-PEFLEX.0469	5.9
25	32×3.0	3710	420	3000	80	60	66	80	640	1120	1600	KN	sheathed	HSP-PEFLEX.0230	6.4
25	32×3.0	3710	420	3000	80	60	66	80	640	1120	1600	FI	sheathed	HSP-PEFLEX.0211	6.6
25	32×3.0	4710	420	4000	80	60	66	80	640	1120	1600	KN	sheathed	HSP-PEFLEX.0231	7.1
25	32×3.0	4710	420	4000	80	60	66	80	640	1120	1600	FI	sheathed	HSP-PEFLEX.0424	7.3
25	32×3.0	6710	420	6000	80	60	66	80	640	1120	1600	KN	sheathed	HSP-PEFLEX.0317	8.5
25	32×3.0	6710	420	6000	80	60	66	80	640	1120	1600	FI	sheathed	HSP-PEFLEX.0336	8.7
32	40×3.7	3750	420	3000	90	75	80	100	800	1400	2000	KN	coated	HSP-PEFLEX.1121	10
32	40×3.7	3750	420	3000	90	75	80	100	800	1400	2000	FI	coated	HSP-PEFLEX.1248	10.2
32	40×3.7	4750	420	4000	90	75	80	100	800	1400	2000	KN	coated	HSP-PEFLEX.1249	10.8
32	40×3.7	4750	420	4000	90	75	80	100	800	1400	2000	FI	coated	HSP-PEFLEX.1250	11
40	50×4.6	3740	420	3000	90	75	80	100	1000	1750	2500	KN	coated	HSP-PEFLEX.1122	10.6
40	50×4.6	3740	420	3000	90	75	80	100	1000	1750	2500	FI	coated	HSP-PEFLEX.1255	10.8
40	50×4.6	4740	420	4000	90	75	80	100	1000	1750	2500	KN	coated	HSP-PEFLEX.1256	11.6
40	50×4.6	4740	420	4000	90	75	80	100	1000	1750	2500	FI	coated	HSP-PEFLEX.1257	11.8
50	63×5.8	3740	420	3000	100	90	95	120	1260	2205	3150	SH	sheathed	HSP-PEFLEX.1261	16
50	63×5.8	3740	420	3000	100	90	95	120	1260	2205	3150	FI	sheathed	HSP-PEFLEX.1053	16.2
50	63×5.8	4740	420	4000	100	90	95	120	1260	2205	3150	SH	sheathed	HSP-PEFLEX.1262	17.7
50	63×5.8	4740	420	4000	100	90	95	120	1260	2205	3150	FI	sheathed	HSP-PEFLEX.1085	17.9

All dimensions in mm

Manufactured according to VP601

\* PN16/DIN EN 1092-1

\*\* Longer flexible lengths of 2000 mm or more can be supplied to order in increments of 1000 mm / DN50 only available in 3000 or 4000 mm

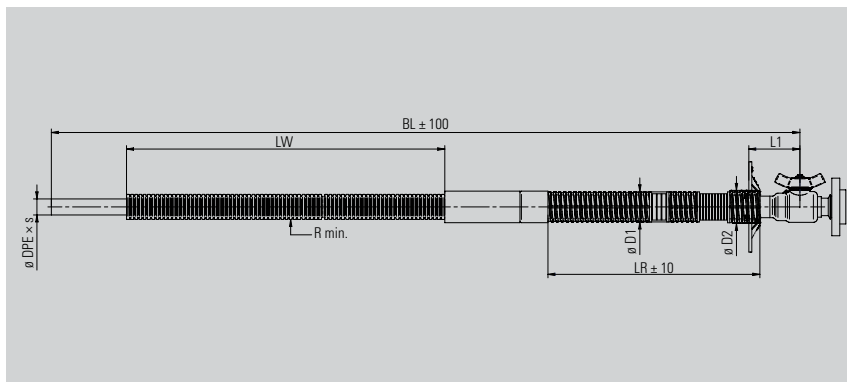
\*\*\* L1\_max depends on floor panel. Maximum installation area = LR. The area below LR must be outside the floor panel!

\*\*\*\* Minimum bending radius on flexible section

# SCHUCK GAS HOUSE LEAD-INS

## HSP-PEFLEX/flexible section made from PE100

With loose flange\*, straight way



- ø DPE Inlet side diameter
- s Wall thickness on inlet side
- BL Overall length
- LR Length of wall pipe (max. installation length)
- LW Length of flexible section \*\*
- L1 Length of connection on outlet side \*\*\*
- ø D1 Diameter 1
- ø D2 Diameter 2
- ø Kb Min. core hole diameter
- R min. Minimum bending radius \*\*\*\*

### Schuck gas house lead-in HSP-PEFLEX-PE-SKDFLGTN

DN	DPE×s	BL	LR	LW	L1	ø D1	ø D2	ø Kb	Rmin 20°C	Rmin 10°C	Rmin 0°C	Lever	KH	Part no.	kg net
25	32×3.0	2210	420	1500	80	60	66	80	640	1120	1600	KN	sheathed	HSP-PEFLEX.0045	5.8
25	32×3.0	2210	420	1500	80	60	66	80	640	1120	1600	FI	sheathed	HSP-PEFLEX.0155	6
25	32×3.0	2710	420	2000	80	60	66	80	640	1120	1600	KN	sheathed	HSP-PEFLEX.0417	6.1
25	32×3.0	2710	420	2000	80	60	66	80	640	1120	1600	FI	sheathed	HSP-PEFLEX.0898	6.3
25	32×3.0	3710	420	3000	80	60	66	80	640	1120	1600	KN	sheathed	HSP-PEFLEX.0385	6.8
25	32×3.0	3710	420	3000	80	60	66	80	640	1120	1600	FI	sheathed	HSP-PEFLEX.0029	7
25	32×3.0	4710	420	4000	80	60	66	80	640	1120	1600	KN	sheathed	HSP-PEFLEX.0459	7.5
25	32×3.0	4710	420	4000	80	60	66	80	640	1120	1600	FI	sheathed	HSP-PEFLEX.0510	7.7
25	32×3.0	6710	420	6000	80	60	66	80	640	1120	1600	KN	sheathed	HSP-PEFLEX.0454	8.9
25	32×3.0	6710	420	6000	80	60	66	80	640	1120	1600	FI	sheathed	HSP-PEFLEX.0213	9.1
32	40×3.7	3750	420	3000	90	75	80	100	800	1400	2000	KN	coated	HSP-PEFLEX.1265	10
32	40×3.7	3750	420	3000	90	75	80	100	800	1400	2000	FI	coated	HSP-PEFLEX.1266	10.2
32	40×3.7	4750	420	4000	90	75	80	100	800	1400	2000	KN	coated	HSP-PEFLEX.1267	10.8
32	40×3.7	4750	420	4000	90	75	80	100	800	1400	2000	FI	coated	HSP-PEFLEX.1268	11
40	50×4.6	3740	420	3000	90	75	80	100	1000	1750	2500	KN	coated	HSP-PEFLEX.1169	10.6
40	50×4.6	3740	420	3000	90	75	80	100	1000	1750	2500	FI	coated	HSP-PEFLEX.1274	10.8
40	50×4.6	4740	420	4000	90	75	80	100	1000	1750	2500	KN	coated	HSP-PEFLEX.1275	11.6
40	50×4.6	4740	420	4000	90	75	80	100	1000	1750	2500	FI	coated	HSP-PEFLEX.1276	11.8
50	63×5.8	3740	420	3000	100	90	95	120	1260	2205	3150	SH	coated	HSP-PEFLEX.1281	16.8
50	63×5.8	3740	420	3000	100	90	95	120	1260	2205	3150	FI	coated	HSP-PEFLEX.1074	17
50	63×5.8	4740	420	4000	100	90	95	120	1260	2205	3150	SH	coated	HSP-PEFLEX.1282	18.5
50	63×5.8	4740	420	4000	100	90	95	120	1260	2205	3150	FI	coated	HSP-PEFLEX.1283	18.7

All dimensions in mm

Manufactured according to VP601

\* PN10/DIN EN 1092-1

\*\* Longer flexible lengths of 2000 mm or more can be supplied to order in increments of 1000 mm / DN50 only available in 3000 or 4000 mm

\*\*\* L1\_max depends on floor panel. Maximum installation area = LR. The area below LR must be outside the floor panel!

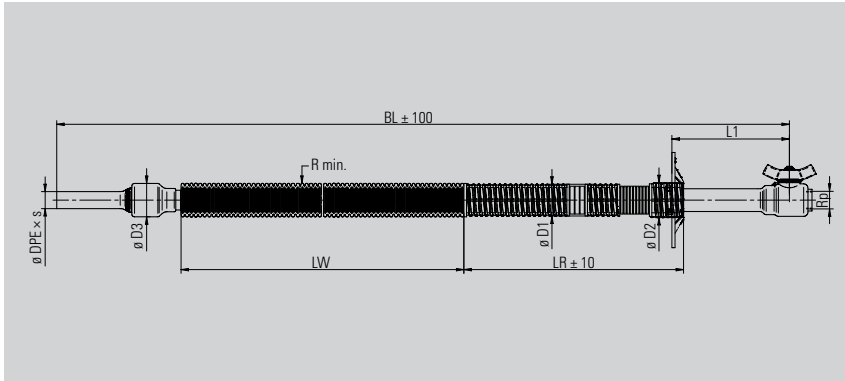
\*\*\*\* Minimum bending radius on flexible section



# SCHUCK GAS HOUSE LEAD-INS

HSP-FLEX/highly flexible, flexible section made from stainless steel

With internal thread\*, straight way



- ø DPE Inlet side diameter
- s Wall thickness on inlet side
- BL Overall length
- LR Length of wall pipe (max. installation length)
- LW Length of flexible section \*\*
- L1 Length of connection on outlet side \*\*\*
- ø D1 Diameter 1
- ø D2 Diameter 2
- Rp Internal thread
- ø Kb Min. core hole diameter
- R min. Minimum bending radius \*\*\*\*

## Schuck gas house lead-in HSP-FLEX-PE-SKDGTN

DN	DPE x s	BL	LR	LW	L1	ø D1	ø D2	ø D3	Rp	ø Kb	R min	Lever	KH	Part no.	kg net
25	32x3	2490	420	1500	200	60	66	63	1"	80	350	KN	sheathed	HSP-FLEX.0020	6.6
25	32x3	2490	420	1500	200	60	66	63	1"	80	350	FI	sheathed	HSP-FLEX.0021	6.8
25	32x3	2990	420	2000	200	60	66	63	1"	80	350	KN	sheathed	HSP-FLEX.0022	7.1
25	32x3	2990	420	2000	200	60	66	63	1"	80	350	FI	sheathed	HSP-FLEX.0023	7.3
25	32x3	3990	420	3000	200	60	66	63	1"	80	350	KN	sheathed	HSP-FLEX.0024	8.1
25	32x3	3990	420	3000	200	60	66	63	1"	80	350	FI	sheathed	HSP-FLEX.0025	8.3
25	32x3	4990	420	4000	200	60	66	63	1"	80	350	KN	sheathed	HSP-FLEX.0026	9.1
25	32x3	4990	420	4000	200	60	66	63	1"	80	350	FI	sheathed	HSP-FLEX.0027	9.3
32	40x3.7	2540	420	1500	200	75	80	75	1 1/4"	100	350	KN	coated	HSP-FLEX.0028	10
32	40x3.7	2540	420	1500	200	75	80	75	1 1/4"	100	350	FI	coated	HSP-FLEX.0029	10.2
32	40x3.7	3040	420	2000	200	75	80	75	1 1/4"	100	350	KN	coated	HSP-FLEX.0030	11
32	40x3.7	3040	420	2000	200	75	80	75	1 1/4"	100	350	FI	coated	HSP-FLEX.0031	11.2
40	50x4.6	2545	420	1500	200	75	80	75	1 1/2"	100	350	KN	coated	HSP-FLEX.0032	10
40	50x4.6	2545	420	1500	200	75	80	75	1 1/2"	100	350	FI	coated	HSP-FLEX.0033	10.2
40	50x4.6	3045	420	2000	200	75	80	75	1 1/2"	100	350	KN	coated	HSP-FLEX.0034	11
40	50x4.6	3045	420	2000	200	75	80	75	1 1/2"	100	350	FI	coated	HSP-FLEX.0035	11.2
50	63x5.8	2580	420	1500	200	90	95	90	2"	120	350	SH	coated	HSP-FLEX.0036	13.6
50	63x5.8	2580	420	1500	200	90	95	90	2"	120	350	FI	coated	HSP-FLEX.0037	16.8
50	63x5.8	3080	420	2000	200	90	95	90	2"	120	350	SH	coated	HSP-FLEX.0038	14.8
50	63x5.8	3080	420	2000	200	90	95	90	2"	120	350	FI	coated	HSP-FLEX.0039	15
50	63x5.8	4080	420	3000	200	90	95	90	2"	120	350	SH	coated	HSP-FLEX.0040	17.3
50	63x5.8	4080	420	3000	200	90	95	90	2"	120	350	FI	coated	HSP-FLEX.0041	17.5
50	63x5.8	5080	420	4000	200	90	95	90	2"	120	350	SH	coated	HSP-FLEX.0042	19.8
50	63x5.8	5080	420	4000	200	90	95	90	2"	120	350	FI	coated	HSP-FLEX.0043	20

All dimensions in mm

Manufactured according to VP601

\* DIN EN 10226-1

\*\* Longer flexible lengths of 2000 mm or more can be supplied to order in increments of 1000 mm

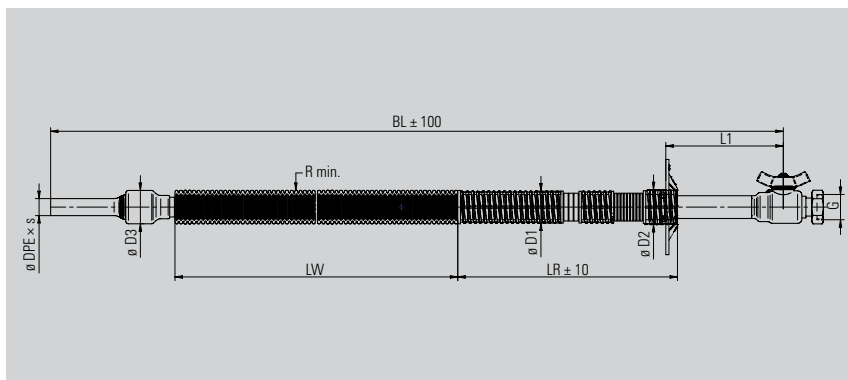
\*\*\* L1\_max depends on floor panel. Maximum installation area = LR. The area below LR must be outside the floor panel!

\*\*\*\* Minimum bending radius on flexible section, temperature-independent

# SCHUCK GAS HOUSE LEAD-INS

HSP-FLEX/highly flexible, flexible section made from stainless steel

With threaded flexible connection\*, straight way



- ø DPE Inlet side diameter
- s Wall thickness on inlet side
- BL Overall length
- LR Length of wall pipe (max. installation length)
- LW Length of flexible section \*\*
- L1 Length of connection on outlet side \*\*\*
- ø D1 Diameter 1
- ø D2 Diameter 2
- G Union nut thread
- ø Kb Min. core hole diameter
- R min. Minimum bending radius \*\*\*\*

## Schuck gas house lead-in HSP-FLEX-PE-SKDRVGTN

DN	DPE × s	BL	LR	LW	L1	ø D1	ø D2	ø D3	G	ø Kb	R min	Lever	KH	Part no.	kg net
25	32×3	2490	420	1500	200	60	66	63	1 ½"	80	350	KN	sheathed	HSP-FLEX.0044	7
25	32×3	2490	420	1500	200	60	66	63	1 ½"	80	350	FI	sheathed	HSP-FLEX.0045	7.2
25	32×3	2990	420	2000	200	60	66	63	1 ½"	80	350	KN	sheathed	HSP-FLEX.0046	7.5
25	32×3	2990	420	2000	200	60	66	63	1 ½"	80	350	FI	sheathed	HSP-FLEX.0047	7.7
25	32×3	3990	420	3000	200	60	66	63	1 ½"	80	350	KN	sheathed	HSP-FLEX.0048	8.5
25	32×3	3990	420	3000	200	60	66	63	1 ½"	80	350	FI	sheathed	HSP-FLEX.0049	8.7
25	32×3	4990	420	4000	200	60	66	63	1 ½"	80	350	KN	sheathed	HSP-FLEX.0050	9.5
25	32×3	4990	420	4000	200	60	66	63	1 ½"	80	350	FI	sheathed	HSP-FLEX.0051	9.7
32	40×3.7	2540	420	1500	200	75	80	75	2"	100	350	KN	coated	HSP-FLEX.0052	10.7
32	40×3.7	2540	420	1500	200	75	80	75	2"	100	350	FI	coated	HSP-FLEX.0053	10.9
32	40×3.7	3040	420	2000	200	75	80	75	2"	100	350	KN	coated	HSP-FLEX.0054	11.7
32	40×3.7	3040	420	2000	200	75	80	75	2"	100	350	FI	coated	HSP-FLEX.0055	11.9
40	50×4.6	2545	420	1500	200	75	80	75	2 ¼"	100	350	KN	coated	HSP-FLEX.0056	10.6
40	50×4.6	2545	420	1500	200	75	80	75	2 ¼"	100	350	FI	coated	HSP-FLEX.0057	10.8
40	50×4.6	3045	420	2000	200	75	80	75	2 ¼"	100	350	KN	coated	HSP-FLEX.0058	11.6
40	50×4.6	3045	420	2000	200	75	80	75	2 ¼"	100	350	FI	coated	HSP-FLEX.0059	11.8
50	63×5.8	2580	420	1500	200	90	95	90	2 ¾"	120	350	SH	coated	HSP-FLEX.0060	14.6
50	63×5.8	2580	420	1500	200	90	95	90	2 ¾"	120	350	FI	coated	HSP-FLEX.0061	14.8
50	63×5.8	3080	420	2000	200	90	95	90	2 ¾"	120	350	SH	coated	HSP-FLEX.0062	15.8
50	63×5.8	3080	420	2000	200	90	95	90	2 ¾"	120	350	FI	coated	HSP-FLEX.0063	16
50	63×5.8	4080	420	3000	200	90	95	90	2 ¾"	120	350	SH	coated	HSP-FLEX.0064	18.3
50	63×5.8	4080	420	3000	200	90	95	90	2 ¾"	120	350	FI	coated	HSP-FLEX.0065	18.5
50	63×5.8	5080	420	4000	200	90	95	90	2 ¾"	120	350	SH	coated	HSP-FLEX.0066	20.8
50	63×5.8	5080	420	4000	200	90	95	90	2 ¾"	120	350	FI	coated	HSP-FLEX.0067	21

All dimensions in mm

Manufactured according to VP601

\* EN 10241

\*\* Longer flexible lengths of 2000 mm or more can be supplied to order in increments of 1000 mm

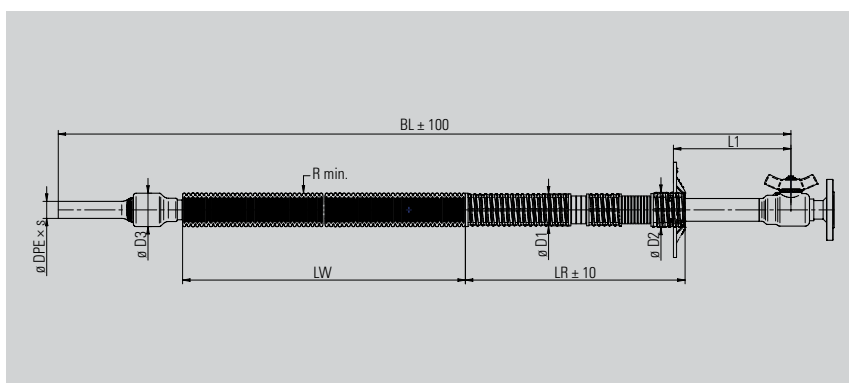
\*\*\* L1\_max depends on floor panel. Maximum installation area = LR. The area below LR must be outside the floor panel!

\*\*\*\* Minimum bending radius on flexible section, temperature-independent

# SCHUCK GAS HOUSE LEAD-INS

HSP-FLEX/highly flexible, flexible section made from stainless steel

With flange\*, straight way



- ø DPE Inlet side diameter
- s Wall thickness on inlet side
- BL Overall length
- LR Length of wall pipe (max. installation length)
- LW Length of flexible section \*\*
- L1 Length of connection on outlet side \*\*\*
- ø D1 Diameter 1
- ø D2 Diameter 2
- ø Kb Min. core hole diameter
- R min. Minimum bending radius \*\*\*\*

## Schuck gas house lead-in HSP-FLEX-PE-SKDFGTN

DN	DPE × s	BL	LR	LW	L1	ø D1	ø D2	ø D3	ø Kb	R min	Lever	KH	Part no.	kg net
25	32×3	2490	420	1500	200	60	66	63	80	350	KN	sheathed	HSP-FLEX.0068	7.8
25	32×3	2490	420	1500	200	60	66	63	80	350	FI	sheathed	HSP-FLEX.0069	8
25	32×3	2990	420	2000	200	60	66	63	80	350	KN	sheathed	HSP-FLEX.0070	8.3
25	32×3	2990	420	2000	200	60	66	63	80	350	FI	sheathed	HSP-FLEX.0071	8.5
25	32×3	3990	420	3000	200	60	66	63	80	350	KN	sheathed	HSP-FLEX.0072	9.3
25	32×3	3990	420	3000	200	60	66	63	80	350	FI	sheathed	HSP-FLEX.0073	9.5
25	32×3	4990	420	4000	200	60	66	63	80	350	KN	sheathed	HSP-FLEX.0074	10.3
25	32×3	4990	420	4000	200	60	66	63	80	350	FI	sheathed	HSP-FLEX.0075	10.5
32	40×3.7	2540	420	1500	200	75	80	75	100	350	KN	coated	HSP-FLEX.0076	11.8
32	40×3.7	2540	420	1500	200	75	80	75	100	350	FI	coated	HSP-FLEX.0077	12
32	40×3.7	3040	420	2000	200	75	80	75	100	350	KN	coated	HSP-FLEX.0078	12.8
32	40×3.7	3040	420	2000	200	75	80	75	100	350	FI	coated	HSP-FLEX.0079	13
40	50×4.6	2545	420	1500	200	75	80	75	100	350	KN	coated	HSP-FLEX.0080	12.4
40	50×4.6	2545	420	1500	200	75	80	75	100	350	FI	coated	HSP-FLEX.0081	12.6
40	50×4.6	3045	420	2000	200	75	80	75	100	350	KN	coated	HSP-FLEX.0082	13.4
40	50×4.6	3045	420	2000	200	75	80	75	100	350	FI	coated	HSP-FLEX.0083	13.6
50	63×5.8	2580	420	1500	200	90	95	90	120	350	SH	coated	HSP-FLEX.0084	16.3
50	63×5.8	2580	420	1500	200	90	95	90	120	350	FI	coated	HSP-FLEX.0085	16.5
50	63×5.8	3080	420	2000	200	90	95	90	120	350	SH	coated	HSP-FLEX.0086	17.5
50	63×5.8	3080	420	2000	200	90	95	90	120	350	FI	coated	HSP-FLEX.0087	17.7
50	63×5.8	4080	420	3000	200	90	95	90	120	350	SH	coated	HSP-FLEX.0088	20
50	63×5.8	4080	420	3000	200	90	95	90	120	350	FI	coated	HSP-FLEX.0089	20.2
50	63×5.8	5080	420	4000	200	90	95	90	120	350	SH	coated	HSP-FLEX.0090	22.5
50	63×5.8	5080	420	4000	200	90	95	90	120	350	FI	coated	HSP-FLEX.0091	22.7

All dimensions in mm

Manufactured according to VP601

\* PN16/DIN EN 1092-1

\*\* Longer flexible lengths of 2000 mm or more can be supplied to order in increments of 1000 mm

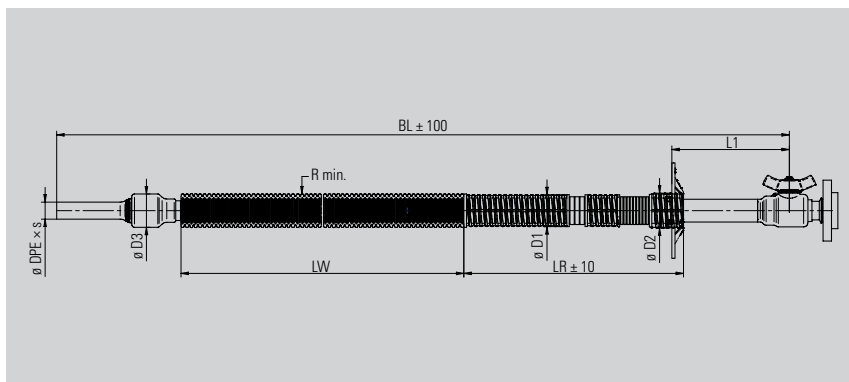
\*\*\* L1\_max depends on floor panel. Maximum installation area = LR. The area below LR must be outside the floor panel!

\*\*\*\* Minimum bending radius on flexible section, temperature-independent

# SCHUCK GAS HOUSE LEAD-INS

HSP-FLEX/highly flexible, flexible section made from stainless steel

With loose flange\*, straight way



- ø DPE Inlet side diameter
- s Wall thickness on inlet side
- BL Overall length
- LR Length of wall pipe (max. installation length)
- LW Length of flexible section \*\*
- L1 Length of connection on outlet side \*\*\*
- ø D1 Diameter 1
- ø D2 Diameter 2
- ø Kb Min. core hole diameter
- R min. Minimum bending radius \*\*\*\*

## Schuck gas house lead-in HSP-FLEX-PE-SKDFLGTN

DN	DPE x s	BL	LR	LW	L1	ø D1	ø D2	ø D3	ø Kb	R min	Lever	KH	Part no.	kg net
25	32x3	2490	420	1500	200	60	66	63	80	350	KN	sheathed	HSP-FLEX.0092	8.3
25	32x3	2490	420	1500	200	60	66	63	80	350	FI	sheathed	HSP-FLEX.0093	8.5
25	32x3	2990	420	2000	200	60	66	63	80	350	KN	sheathed	HSP-FLEX.0094	8.8
25	32x3	2990	420	2000	200	60	66	63	80	350	FI	sheathed	HSP-FLEX.0095	9
25	32x3	3990	420	3000	200	60	66	63	80	350	KN	sheathed	HSP-FLEX.0096	9.8
25	32x3	3990	420	3000	200	60	66	63	80	350	FI	sheathed	HSP-FLEX.0097	10
25	32x3	4990	420	4000	200	60	66	63	80	350	KN	sheathed	HSP-FLEX.0098	10.8
25	32x3	4990	420	4000	200	60	66	63	80	350	FI	sheathed	HSP-FLEX.0099	11
32	40x3.7	2540	420	1500	200	75	80	75	100	350	KN	coated	HSP-FLEX.0100	12
32	40x3.7	2540	420	1500	200	75	80	75	100	350	FI	coated	HSP-FLEX.0101	12.2
32	40x3.7	3040	420	2000	200	75	80	75	100	350	KN	coated	HSP-FLEX.0102	13
32	40x3.7	3040	420	2000	200	75	80	75	100	350	FI	coated	HSP-FLEX.0103	13.2
40	50x4.6	2545	420	1500	200	75	80	75	100	350	KN	coated	HSP-FLEX.0104	12.6
40	50x4.6	2545	420	1500	200	75	80	75	100	350	FI	coated	HSP-FLEX.0105	12.8
40	50x4.6	3045	420	2000	200	75	80	75	100	350	KN	coated	HSP-FLEX.0106	13.6
40	50x4.6	3045	420	2000	200	75	80	75	100	350	FI	coated	HSP-FLEX.0107	13.8
50	63x5.8	2580	420	1500	200	90	95	90	120	350	SH	coated	HSP-FLEX.0108	17.3
50	63x5.8	2580	420	1500	200	90	95	90	120	350	FI	coated	HSP-FLEX.0109	17.5
50	63x5.8	3080	420	2000	200	90	95	90	120	350	SH	coated	HSP-FLEX.0110	18.5
50	63x5.8	3080	420	2000	200	90	95	90	120	350	FI	coated	HSP-FLEX.0111	18.7
50	63x5.8	4080	420	3000	200	90	95	90	120	350	SH	coated	HSP-FLEX.0112	21
50	63x5.8	4080	420	3000	200	90	95	90	120	350	FI	coated	HSP-FLEX.0113	21.2
50	63x5.8	5080	420	4000	200	90	95	90	120	350	SH	coated	HSP-FLEX.0114	23.5
50	63x5.8	5080	420	4000	200	90	95	90	120	350	FI	coated	HSP-FLEX.0115	23.7

All dimensions in mm

Manufactured according to VP601

\* PN10/DIN EN 1092-1

\*\* Longer flexible lengths of 2000 mm or more can be supplied to order in increments of 1000 mm

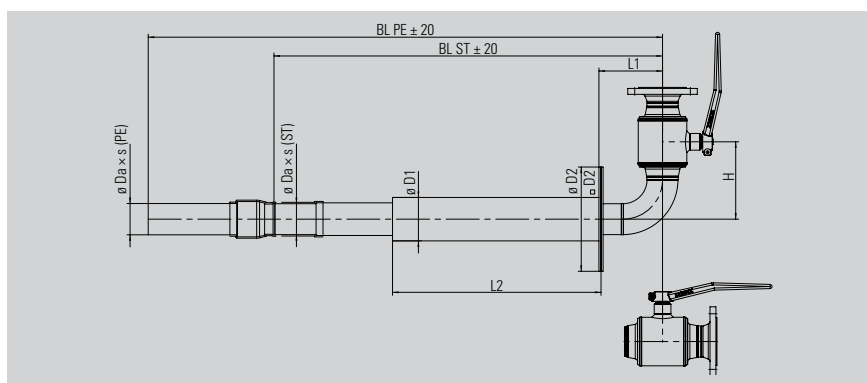
\*\*\* L1\_max depends on floor panel. Maximum installation area = LR. The area below LR must be outside the floor panel!

\*\*\*\* Minimum bending radius on flexible section, temperature-independent

# SCHUCK GAS HOUSE LEAD-INS

## HS with PN16 flange (DIN EN 1092-1)

### For wet installation



- ∅ Da Inlet side diameter
- s Wall thickness on inlet side
- BL Overall length
- L1 Length of connection on outlet side
- L2 Length of installation area\*
- H Height of connection on outlet side
- ∅ D1/∅ D2 Diameter 1/Diameter 2
- D2 Edge length 2
- PE PE100 inlet
- ST Steel inlet
- ∅ Kb Min. core hole diameter

### Schuck gas house lead-in HS

DN	Inlet	Da × s	Outlet	BL	L1	L2*	H	∅ D1	∅ D2 / □ D2	∅ Kb	Part no.	kg net
80	Steel	88.9×3.6	Bend	1120	185	600	225	125	∅ 300	150	L611100131010	39
80	Steel	88.9×3.6	Straight	1110	175	600		125	∅ 300	150	L621100131010	38
80	PE100	90×8.2	Bend	1490	185	600	225	125	∅ 300	150	L611158131010	43
80	PE100	90×8.2	Straight	1480	175	600		125	∅ 300	150	L621150131010	42
100	Steel	114.3×3.6	Bend	1155	220	600	280	158	∅ 300	200	L711100131010	48
100	Steel	114.3×3.6	Straight	1230	190	600		158	∅ 300	200	L721100131010	45
100	PE100	110×10	Bend	1575	220	600	280	158	∅ 300	200	L711158131010	52
100	PE100	110×10	Straight	1480	190	600		158	∅ 300	200	L723158131010	49
150**	Steel	168.3×4.0	Bend	1230	310	600	465	210	□ 330	250	L815100131010	104
150**	Steel	168.3×4.0	Straight	1240	320	600		210	□ 330	250	L825100131013	93
150**	PE100	160×14.6	Bend	1640	310	600	465	210	□ 330	250	L815158131011	115
150**	PE100	160×14.6	Straight	1640	320	600		210	□ 330	250	L825158131010	106
200**	Steel	219.1×4.5	Bend	1310	380	600	570	250	□ 330	300	L915100131010	138
200**	Steel	219.1×4.5	Straight	1260	370	600		250	□ 330	300	L925100131011	124
200**	PE100	225×20.5	Bend	1840	380	600	570	250	□ 330	300	L915150131010	160
200**	PE100	225×20.5	Straight	1800	370	600		250	□ 330	300	L925150831010	146

All dimensions in mm

Manufactured according to VP601

\* Other lengths available on request

\*\* Flanged ball valve / inner diameter of ball: 142.00 mm



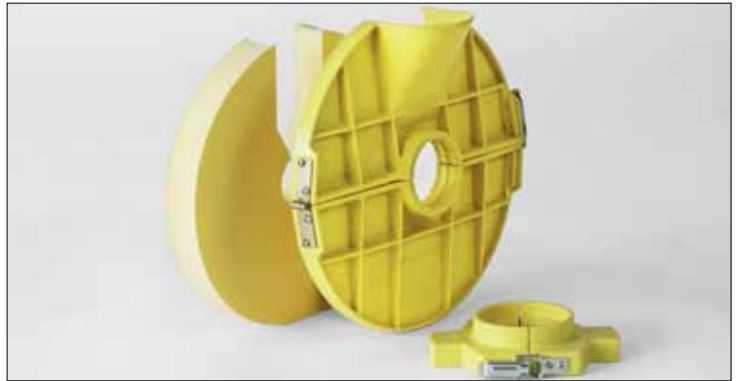




# SCHUCK GAS HOUSE LEAD-INS

## Accessories

### Filling set



#### Filling set

Designation	Set comprising	kg net	Part no.
Filling set I HSP-Gas DN25 WHP-Water DN25/DN32	Grouting plate with hinge RG66 Adjusting nut with hinge RG60 Skinned foam sealing disk Installation manual	1.2	ZUB00019
Filling set II HSP-Gas DN32/DN40, WHP-Water DN40	Grouting plate with hinge RG80 Adjusting nut with hinge RG75 Skinned foam sealing disk Installation manual	1.2	ZUB00020
Filling set III HSP-Gas DN50, WHP-Water DN50	Grouting plate with hinge RG95 Adjusting nut with hinge RG90 Skinned foam sealing disk Installation manual	1.2	ZUB00021

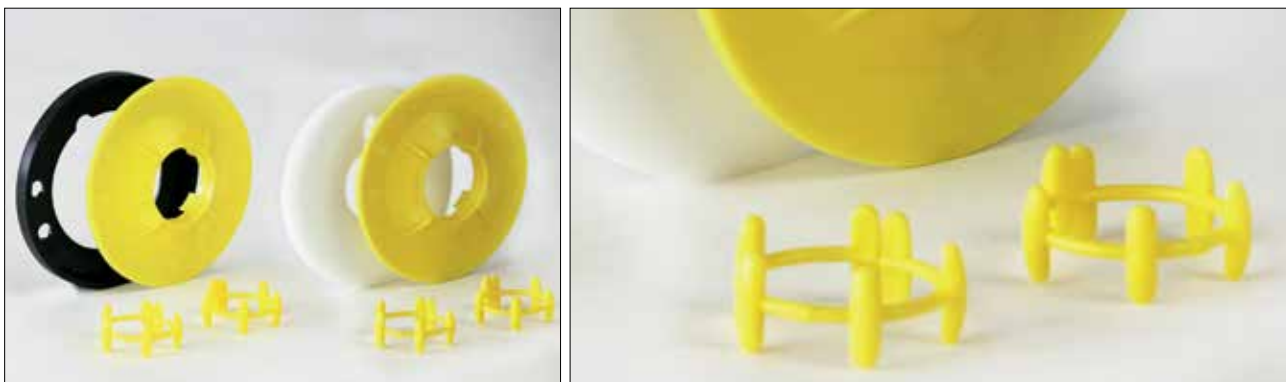
#### Individual parts

Designation	Set comprising	Set	kg net	Part no.
Skinned sealing disk	Spare part for filling set I, sealing disk made from skinned foam	5	1	ZUB00042
Skinned sealing disk	Spare part for filling sets II and III, sealing disk made from skinned foam	5	1	ZUB00043
Foam sealing disk	Spare part for filling sets I, II and III, foam sealing disk	5	1	ZUB00044

# SCHUCK GAS HOUSE LEAD-INS

## Accessories

### Wall finishing set



#### Wall finishing set

Designation	Set comprising	kg net	Part no.
Wall finishing set HSP Gas DN25 Foam	ARO yellow wall disk for gas house lead-in RG66 Sealing ring for ARO made from foam DN25 – 50 2× centering rings DN25 – 50	0.2	ZUB00008
Wall finishing set HSP Gas DN32 and DN40 Foam	ARO yellow wall disk for gas house lead-in RG80 Sealing ring for ARO made from foam DN25 – 50 2× centering rings DN25 – 50	0.2	ZUB00022
Wall finishing set HSP Gas DN50 Foam	ARO yellow wall disk for gas house lead-in RG95 Sealing ring for ARO made from foam DN25 – 50 2× centering rings DN25 – 50	0.2	ZUB00023
Wall finishing set HSP Gas DN25 EPDM	ARO yellow wall disk for gas house lead-in RG66 Sealing ring for ARO made from EPDM (rubber) DN25 – 50 2× centering rings DN25 – 50	0.3	ZUB00024
Wall finishing set HSP Gas DN32 and DN40 EPDM	ARO yellow wall disk for gas house lead-in RG80 Sealing ring for ARO made from EPDM (rubber) DN25 – 50 2× centering rings DN25 – 50	0.3	ZUB00025
Wall finishing set HSP Gas DN50 EPDM	ARO yellow wall disk for gas house lead-in RG95 Sealing ring for ARO made from EPDM (rubber) DN25–50 2× centering rings DN25 – 50	0.3	ZUB00026

#### Individual parts

Designation	Set comprising	Set	kg net	Part no.
Wall disk ARO RG66	Yellow, suitable for HSP DN25	10	2	ZUB00033
Wall disk ARO RG80	Yellow, suitable for HSP DN32 and DN40	10	2	ZUB00034
Wall disk ARO RG95	Yellow, suitable for HSP DN50	10	2	ZUB00035
Sealing disk EPDM	Sealing disk for ARO made from EPDM (rubber) DN25 – 50	10	2	ZUB00039
Foam sealing disk	Sealing disk for ARO made from foam DN25 – 50	10	2	ZUB00040
Centering rings	Centering rings DN25 – 50	50	3	ZUB00041

# SCHUCK GAS HOUSE LEAD-INS

## Accessories

### Dry installation set



#### Dry installation set (for Schuck gas house lead-ins with a sheathed ball valve)\*

Designation	Set comprising	kg net	Part no.
DN25	1× sealing element 100/53 split 1× sealing element 100/60 split 1× pull-out protection plate ARP 1× fastening material	1.8	ZUB00048
DN32 and DN40	2× sealing element 130/75 split 1× pull-out protection plate ARP 1× fastening material	3.5	ZUB00068
DN50	2× sealing element 130/90 split 1× pull-out protection plate ARP 1× fastening material	2.8	ZUB00054

\* Available for version with coated ball valve on request

#### ARP pull-out protection plate for house lead-in combinations with a sheathed ball valve

Designation	Set comprising	kg net	Part no.
DN25	2× plate halves + 1× fastening material	0.3	ARPKOM25200
DN32/DN40	2× plate halves + 1× fastening material	0.3	ARPKOM40200
DN50	2× plate halves + 1× fastening material	0.3	ARPKOM50200

#### ARP pull-out protection plate for house lead-in combinations with a coated ball valve

Designation	Set comprising	kg net	Part no.
DN25	2× plate halves + 1× fastening material	0.3	ARPKOM25100
DN32/DN40	2× plate halves + 1× fastening material	0.3	ARPKOM40100
DN50	2× plate halves + 1× fastening material	0.3	ARPKOM50100

#### Retrofit set for multiple service house lead-in

Designation	Set comprising	kg net	Part no.
Retrofit set for multiple service house lead-in	Installation set for Schuck house-lead in combination for multiple service house lead-in Hauff MSH2000 (for DN25 only)	1	MSH3090000062
Retrofit set for Quadro Secura	Installation set for Schuck house-lead in combination for multiple service house lead-in DOYMA Quadro Secura (for DN25 only)	1	MSH9990000092



